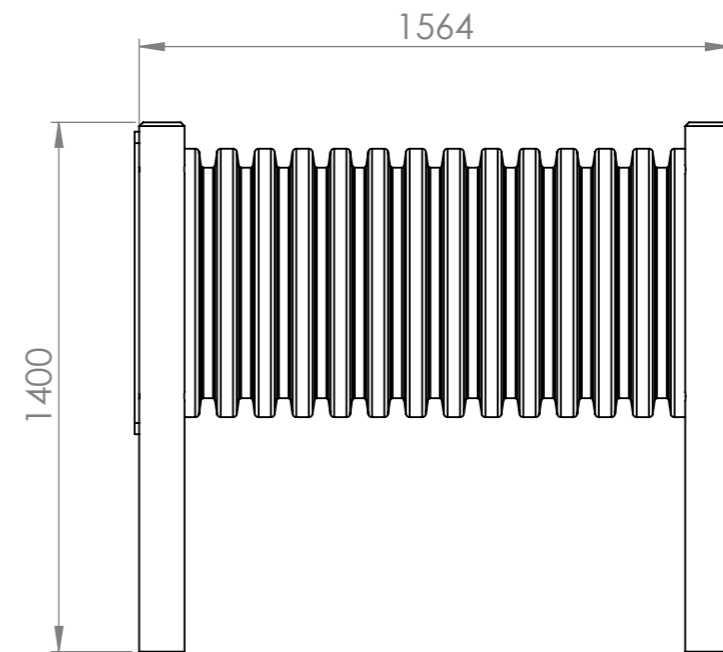
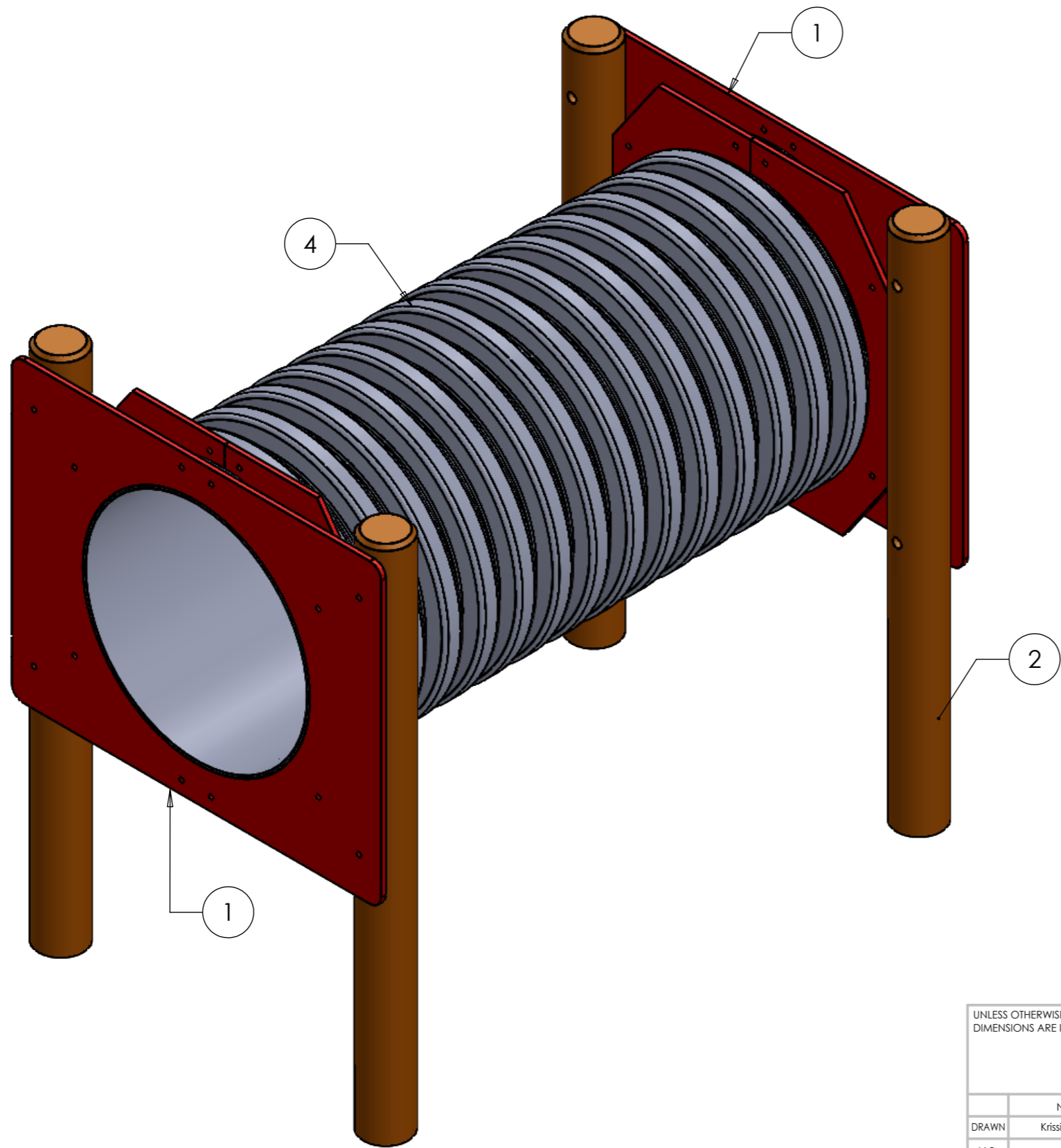


FIXINGS	QTY.
M10X100	16
M12X140	8
M10 WASHER	32
M12 WASHER	16
M10 NUT	16
M12 NUT	8



UNLESS OTHERWISE SPECIFIED: DIMENSIONS ARE IN MILLIMETRES		FINISH: Clean		DEBURR AND BREAK SHARP EDGES	DO NOT SCALE DRAWING	VERSION: 01
					QTY: 1	
DRAWN				TITLE:		
Krissie Gubb				Tunnel - GA		
V 2				CUSTOMER NAME: N/A		
V 3				DRG NO.		
V 4				CTT-001-01		
				MATERIAL: N/A		A3
NBB Unit 5 Sterte Rd, Poole BH15 2AF Tel: 0800177052 Email: sales@nobutts.co.uk				WEIGHT: 190586.95g		S/O: N/A
				SCALE: 1:20		SHEET 1 OF 2



ITEM NO.	PART NAME	DRG NUMBER	QTY.
1	Face Support 1 - 800x1000x12.5 - CTT	CTT-002-01	2
2	PW1 - 1400x120 - CTT	CTT-003-01	4
3	Face Support 2 - 800x373x12.5 - CTT	CTT-004-01	4
4	Tunnel 1 - 1582mm - CTT	CTT-005-01	1

UNLESS OTHERWISE SPECIFIED: DIMENSIONS ARE IN MILLIMETRES		FINISH: Clean		DEBURR AND BREAK SHARP EDGES		DO NOT SCALE DRAWING		VERSION: 01	
						QTY: 1			
DRAWN		NAME	SIGNATURE	DATE	TITLE:				
		Krissie Gubb		19/02/2020	Tunnel - GA				
V 2		N/A			CUSTOMER NAME: N/A				
V 3		N/A			DRG NO.				
V 4		N/A			CTT-001-01		A3		
		MATERIAL:		N/A		S/O: N/A		SCALE: 1:10	
		NBB Unit 5 Sterle Rd, Poole BH15 2AF Tel: 0800177052 Email: sales@nobutts.co.uk		WEIGHT: 190586.95g				SHEET 2 OF 2	