

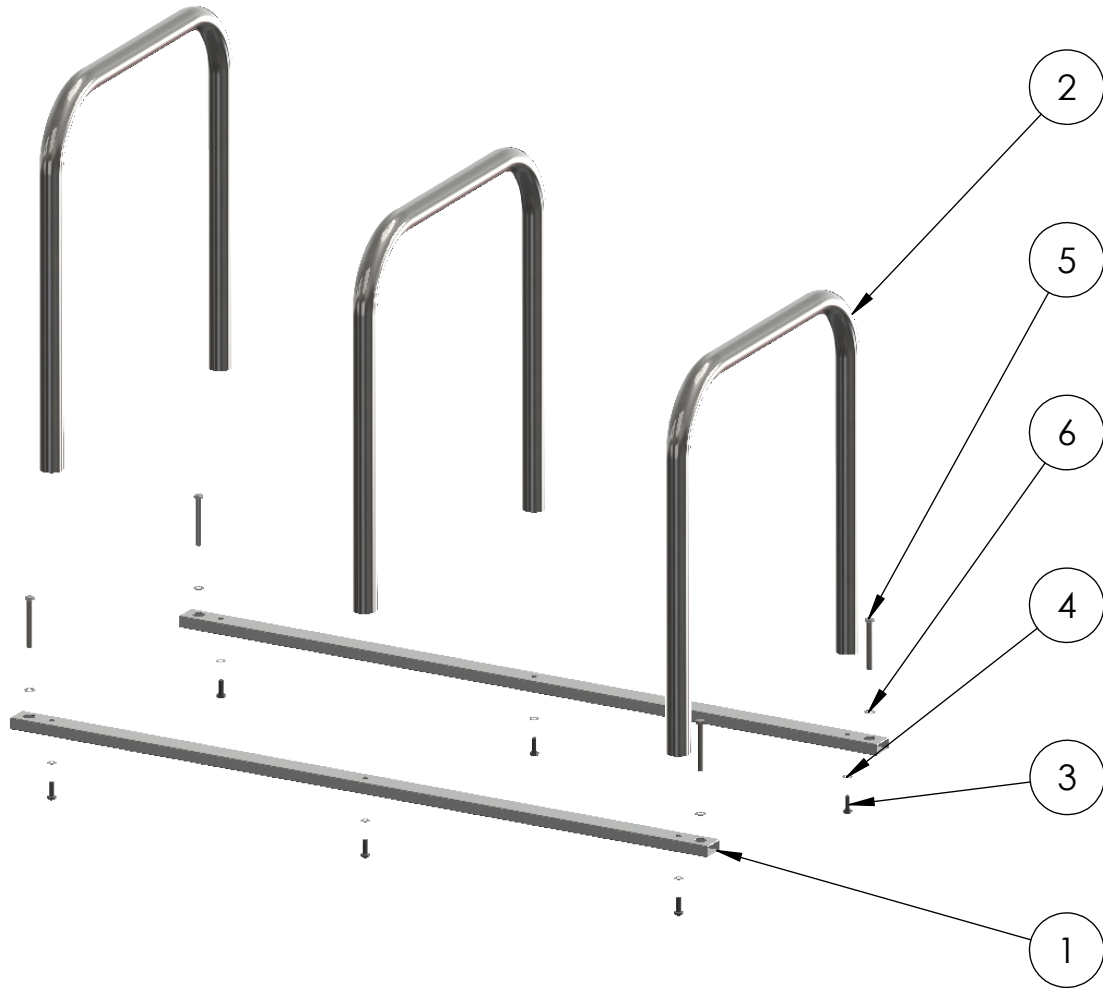
# Assembly Instructions



Product Code: SCS9

Doc. No.: SCS9-01-17032017-UK

# EXPLODED VIEW & PARTS LIST



ITEM NO.	PART NO.	DESCRIPTION	DIMENSION	QTY.
1	CSC-003-01	Ski - 3 Rack (Box section)	1580x50x25	2
2	CSC-005-01	Sheffield cycle stand	825 x 740	3
3	M10x25	M10 bolt - Hex head	25mm	6
4	M10 W	M10 Washer	20mm OD 10mm ID	6
5	M10/12x100	M12 Concrete bolt with M10 head	100mm	4
6	M12 W	M12 Washer	24mm OD 13mm ID	4

## **Tools required for assembly:**

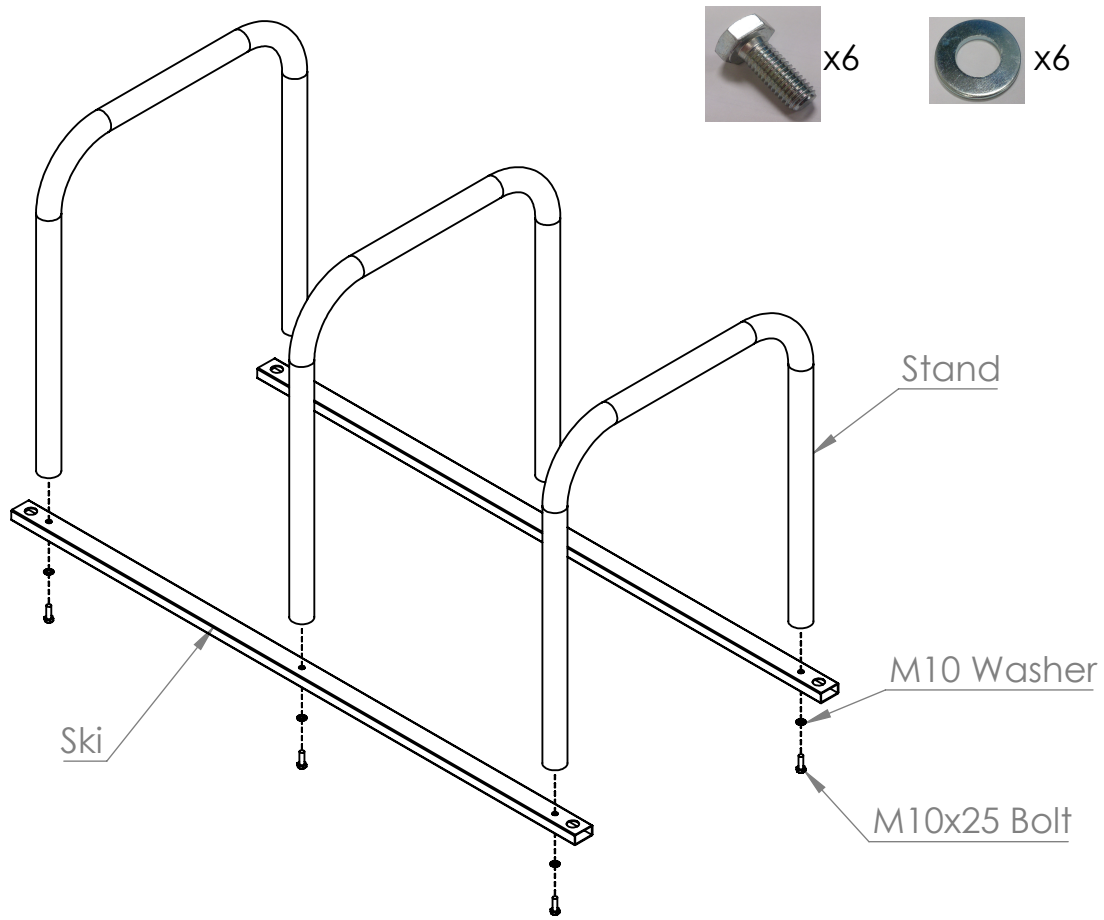


Ratchet with 17mm socket

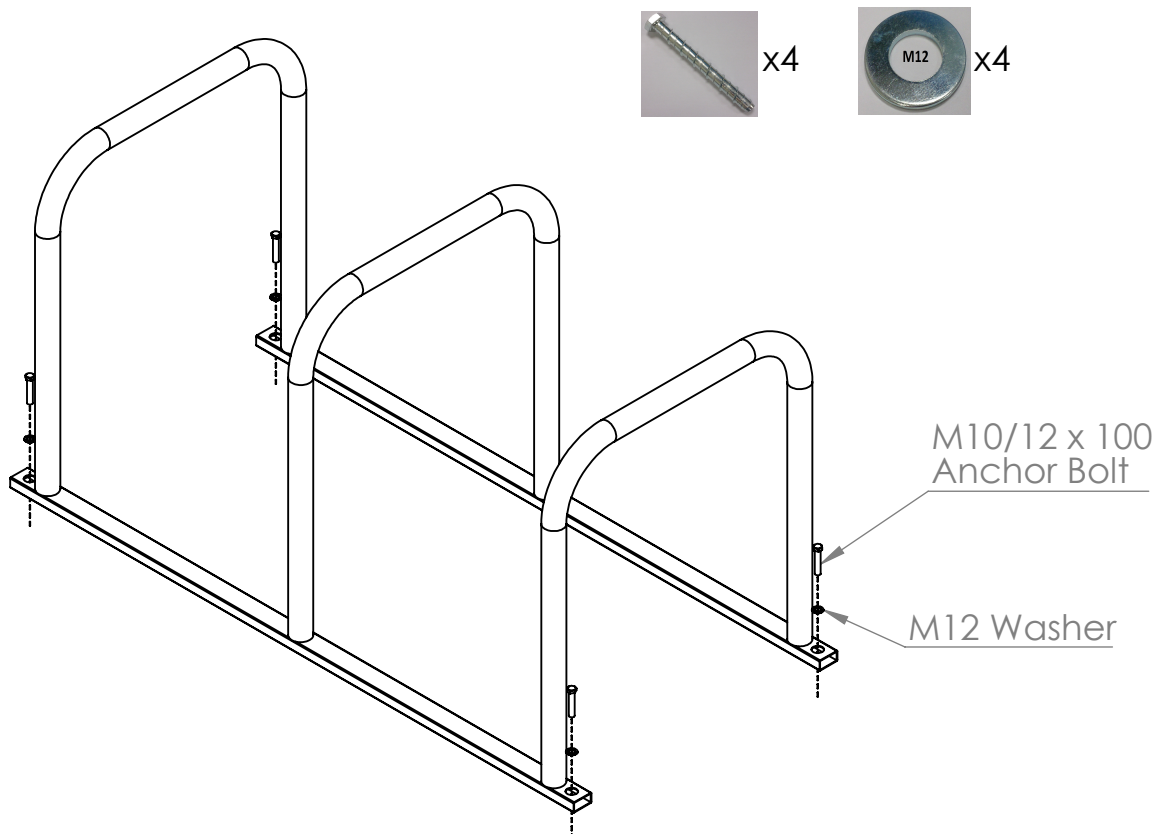


Hammer drill with 10mm bit

**Step 1** Attach the Stands to the Skis using the M10x25mm bolts.



**Step 2** Use the M10/12 x 100mm Anchor bolts and M12 washers to secure the assembly to the ground.



# THANK YOU FOR PURCHASING THIS PRODUCT

## MAINTENANCE:

To ensure your products give you many years of use we recommend that you:

- Inspect all fittings periodically (particularly after a big storm)
- Touch up any exposed metal should it get scratched

<b>All Parts and Fixings checked by:</b>	
Print Name:	Signature