

Octagonal/Round Table Instructions



Assembly Guide

NBB 
Recycled
Furniture

NBB 
Outdoor
Shelters

NBB 
Premises
& Matting

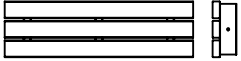
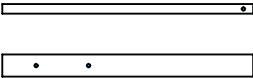
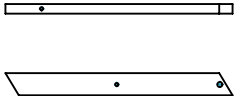

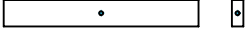
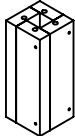
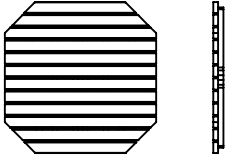
NBB 
School
Shelters

Parts and Fittings

Note: Only octagonal parts shown, Round has different table top and seating.

(Assembly remains the same)

**Two People required
for safe assembly**

ITEM NO.	PART NAME	DRG NUMBER	IMAGE	QTY.
1	Octagon - Round Seat - 995x294 - OR	OR-001-01		4
2	UC1 - 995x88x38 - OR	OR-020-01		4
3	UC5 - 900x88x38 - OR	OR-025-03		4
4	UC2 - 400x88x38 - OR	OR-021-01		8
5	UC3 - 643X88X38 - OR	OR-022-01		4
7	UC - 312x88x38 Block -OR	OR-024-02		1
8	Octagonal Table Assembly - OR	OR-005-06		1

Fixings Supplied

FIXINGS	QTY.
M10 X 130	4
M10 X 110	4
M10 X 90	16
M10 X 60	12
M10 WASHER	68
M10 NUT	24

Tools required



17mm Spanner

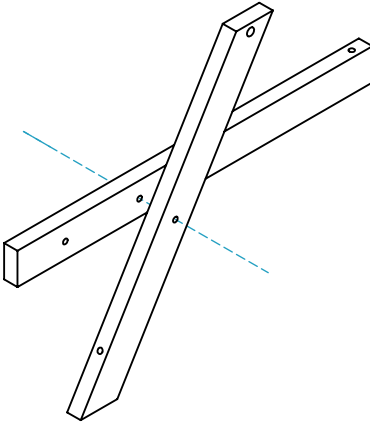
x1

6mm Allen Key

x1

Step 1

Bolt leg UC5 to UC1 using 90mm bolts supplied, repeat for all other legs.

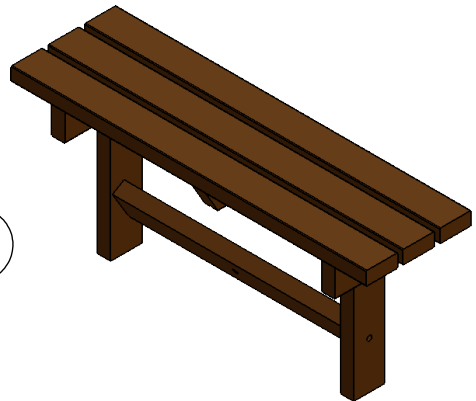
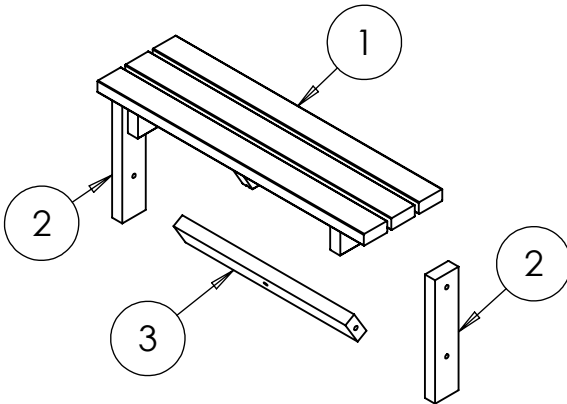


Note: Assemble exactly as shown.

Do not over-tighten bolts during assembly as small adjustments will help parts fit.

Step 2

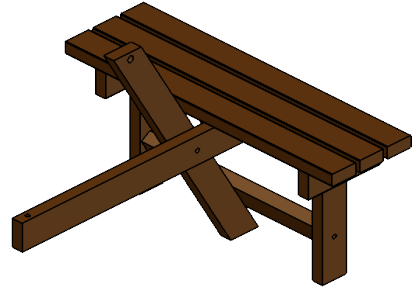
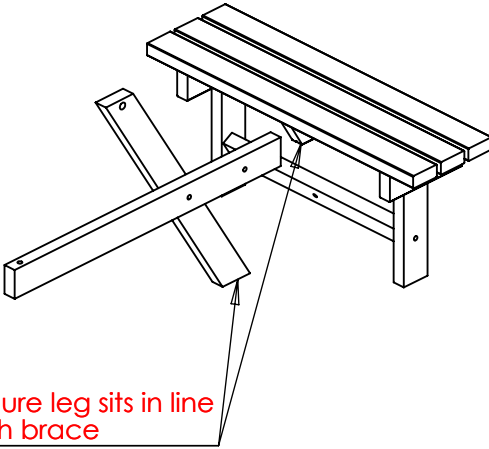
Assemble each seat as below using (2x)90 & (2x)60 bolts supplied.



ITEM NO.	PART NAME	DRG NUMBER	Step 3 QTY.
1	Octagon - Round Seat - 995x294 - OR	OR-001-01	1
2	UC2 - 400x88x38 - OR	OR-021-01	2
3	UC3 - 643X88X38 - OR	OR-022-01	1

Step 3

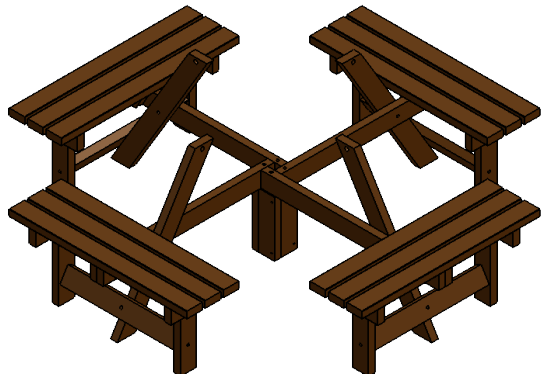
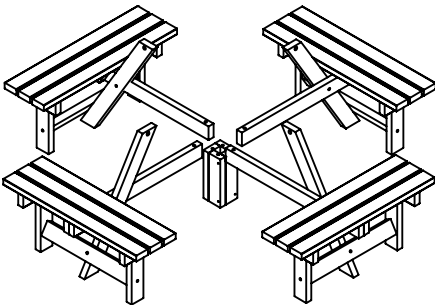
Bolt step 1 & 2 assemblies together using M10x90 & 60.



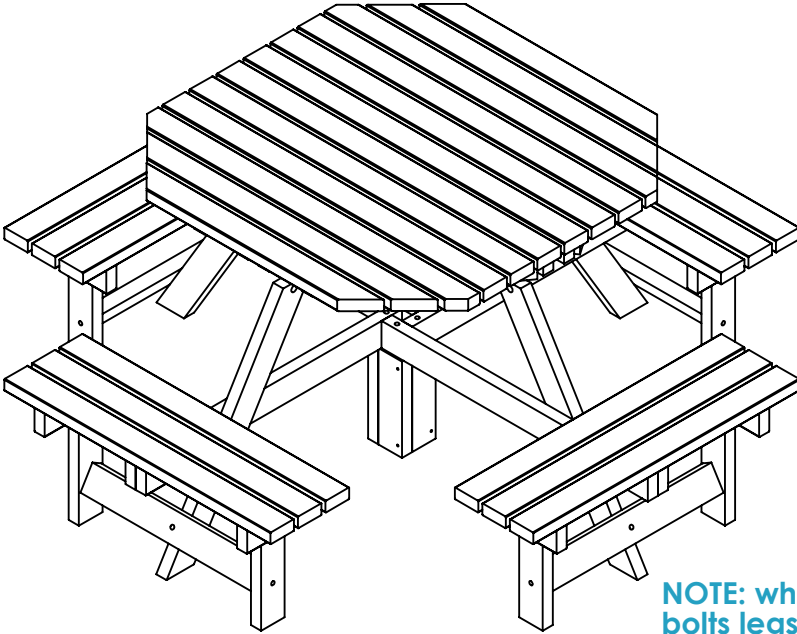
All 4 assemblies should be the same before continuing.

Step 4

Secure seat assembly to block with M10x110.



Step 5 Bolt the table top to the 4 legs centrally with the 4 legs centrally with 130mm bolts supplied.



NOTE: when locating bolts legs may require adjusting.

Step 6

Finally tighten all bolts before use.



Notes:

THANK YOU FOR PURCHASING THIS PRODUCT

CONTACT DETAILS:

Email : sales@recycledfurniture.co.uk

Web : www.recycledfurniture.co.uk

Tel : 0800 1777 052

NBB Recycled Furniture, Unit 5, 145 Sterte Road, Poole, Dorset BH15 2AF

All Parts and Fixings checked by:	
Print Name:	Signature