

innovators

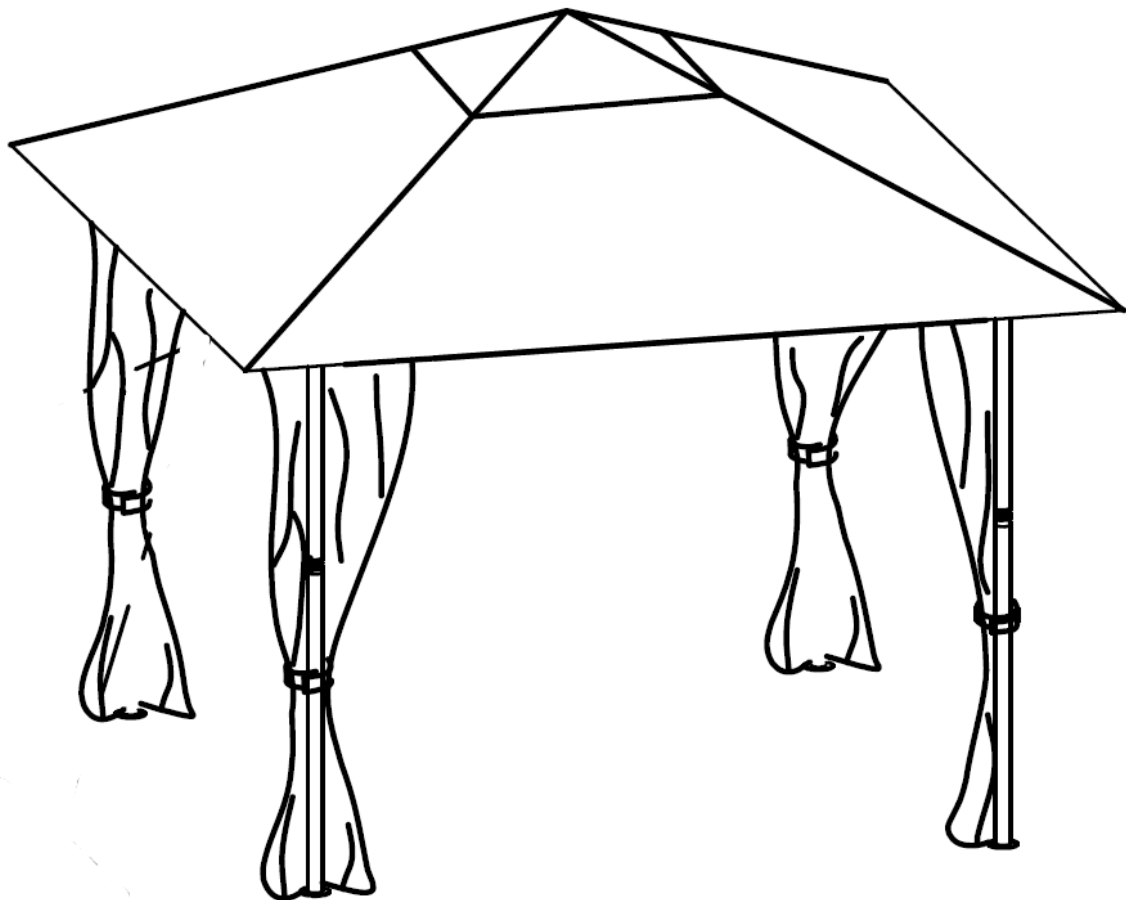
— international —

Congratulations on purchasing your new Tandil Gazebo.

Attached are the instructions to building this gazebo.

Please study the instructions carefully before starting.

We hope you enjoy using this gazebo.



ASSEMBLY INSTRUCTION

DESCRIPTION:
Tandil Gazebo

30 Minutes

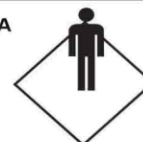
APPROXIMATE ASSEMBLY TIME

2 PERSON ASSEMBLY



FLOOR AREA

6m²



REQUIRED ASSEMBLY SPACE

REQUIRED ASSEMBLY TOOLS

ASSEMBLED DIMENSIONS

Parts

A		4	I		1
B		4	J		8
C		4	K		1
D		4	L		8
E		4	M		8
F		8	N		8
G		4	O		32
H		4	P		1

innovators,
— international —

ASSEMBLY INSTRUCTION

DESCRIPTION:

Tandil Gazebo

Top Tips before you start!

1. Please check that all parts are present before you start the assembly of your gazebo as once assembled, the furniture is exempt from our home approval policy.
2. For ease and speed of assembly, we recommend that before you commence each step of the assembly, that you identify all the parts required for that step.
3. For larger items, please ensure that you have sufficient space and people (as indicated on page 1) to assemble your product safely
4. We recommend that, where possible, all items are assembled near to the area in which they will be placed in use, to avoid moving the product unnecessarily once assembled.
5. During assembly please take care not to over-tighten any fittings, as this may damage the product .
6. **Do not use any power tools**

Care and Maintenance of your Furniture

- Please periodically check all fittings and re-tighten as necessary.
- Please do not drag or pull your furniture.
- Wipe occasionally with soft cloth slightly dampened with water. Then buff with a dry clean soft cloth.
- Never allow any kind of liquid to remain on your furniture. Absorption can cause wood to warp or finishes to de-laminate.

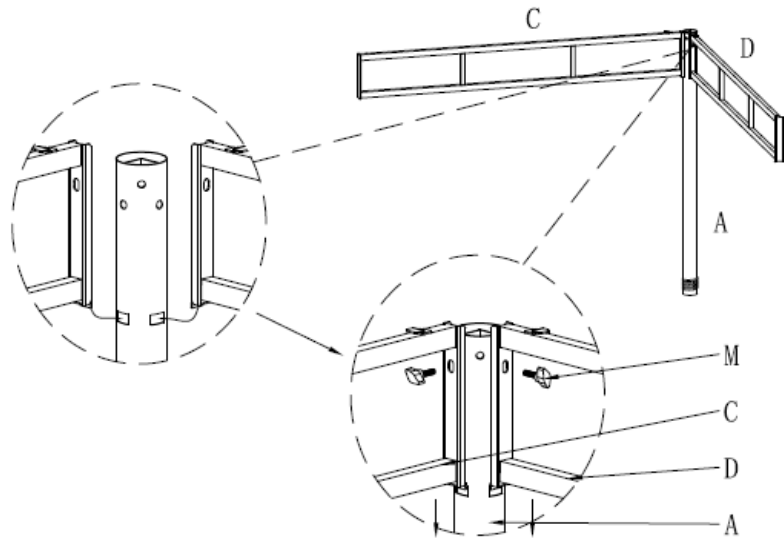
ASSEMBLY INSTRUCTION

DESCRIPTION:

Tandil Gazebo

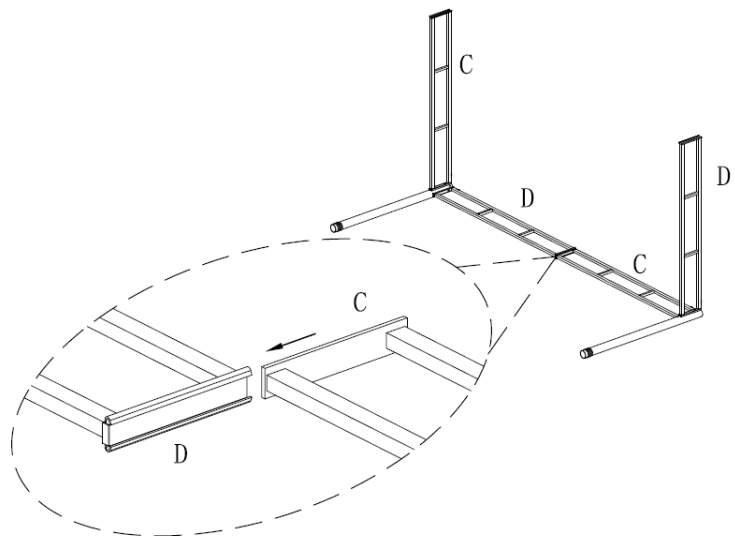
STEP 1

Slide the cross beams, C and D into the hole at the top of each leg (A), ensuring it catches. Take the wing nuts (M) and screw into the hole on the bracket. Tighten fully to secure. Repeat this step for each leg of the gazebo.



STEP 2

Take two leg assemblies from the previous step and connect the two together by sliding part C into D.

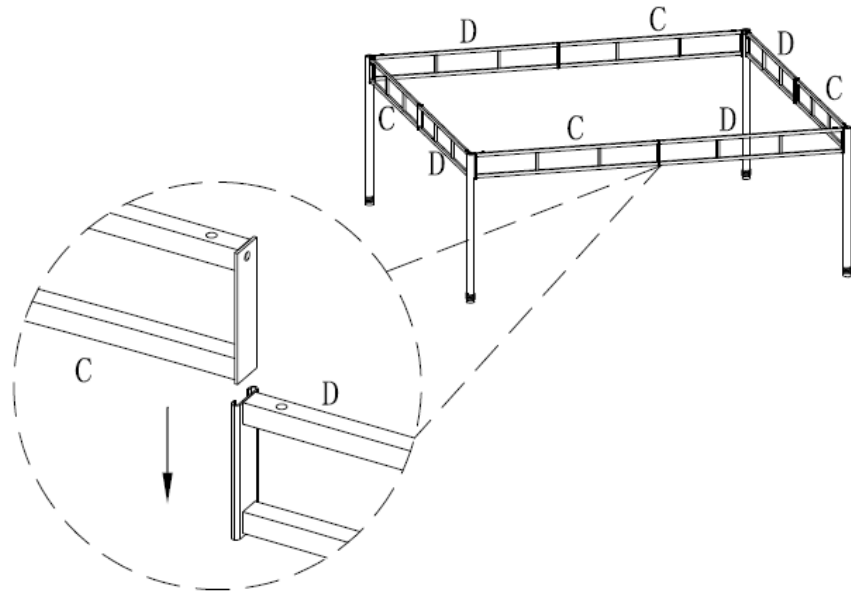


ASSEMBLY INSTRUCTION

DESCRIPTION:
Tandil Gazebo

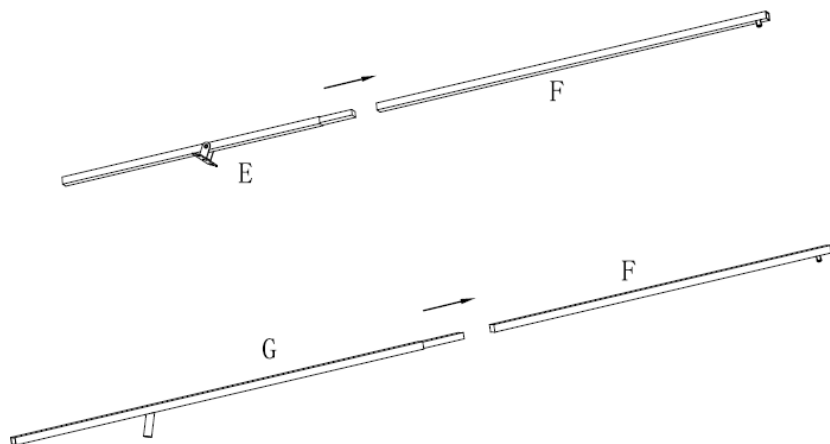
STEP 3

Repeat the previous step until the entire frame is one assembly as shown in the image.



STEP 4

Slide part E into F (x4)
and G into F (x4).



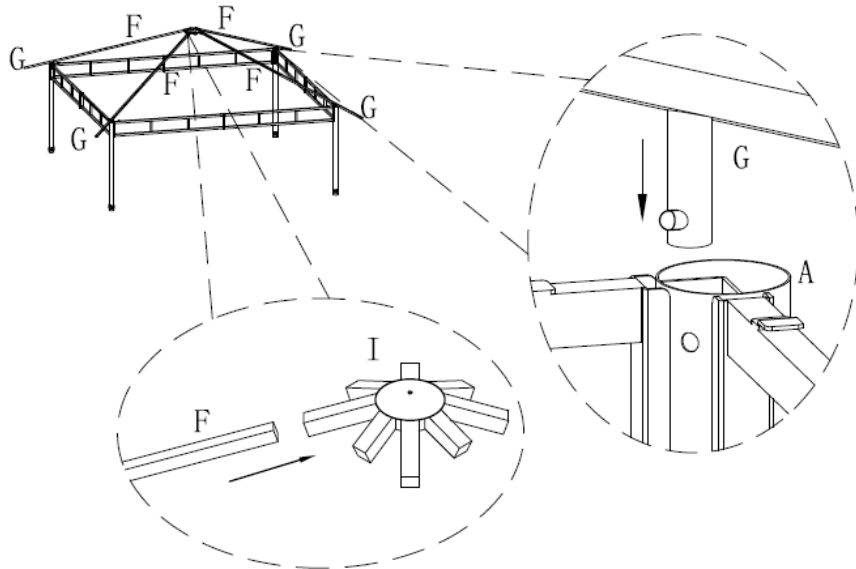
ASSEMBLY INSTRUCTION

DESCRIPTION:

Tandil Gazebo

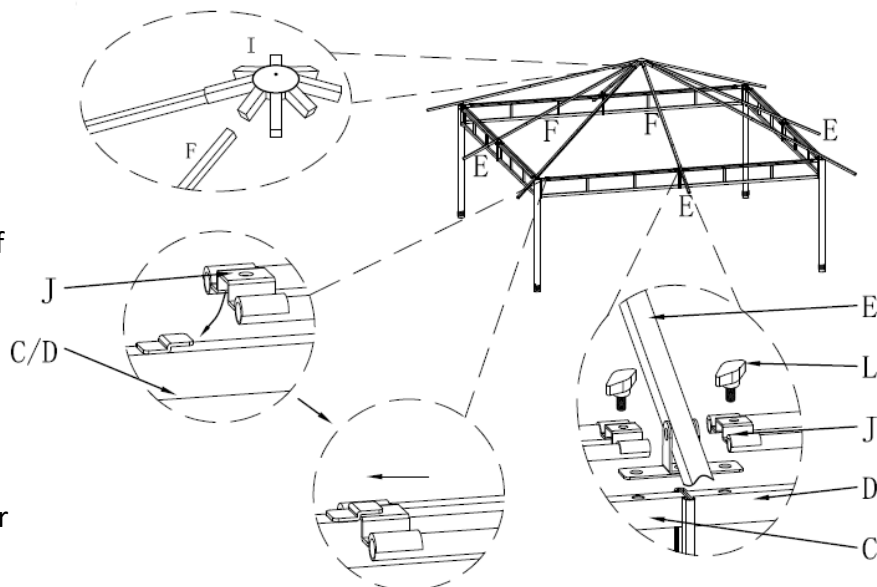
STEP 5

Take the G/F assembly, the longer of the two rods and attach to each of the gazebo legs by pushing in the spring pin and guiding into the hole. Connect all four rods together using component I. Attach part F to the longer of the four brackets of part I.



STEP 6

Attach the E/F assembly to the frame by rotating the bracket at the end of part E to line up with frame C/D. Place rods J on top of the bracket at the end of part E and secure everything in place by screwing in wingnut L. Attach all four E/F assemblies with the central bracket I.



innovators
— international —

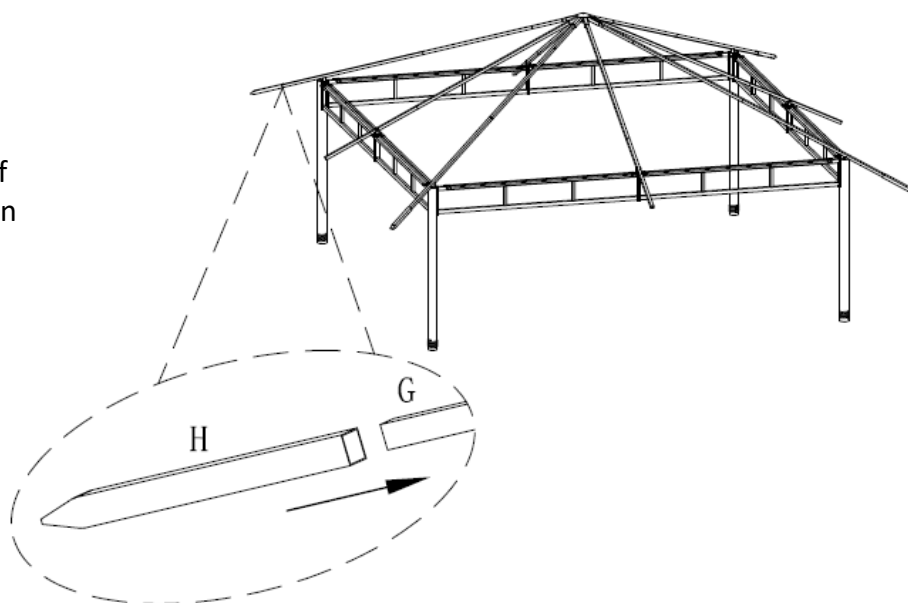
ASSEMBLY INSTRUCTION

DESCRIPTION:

Tandil Gazebo

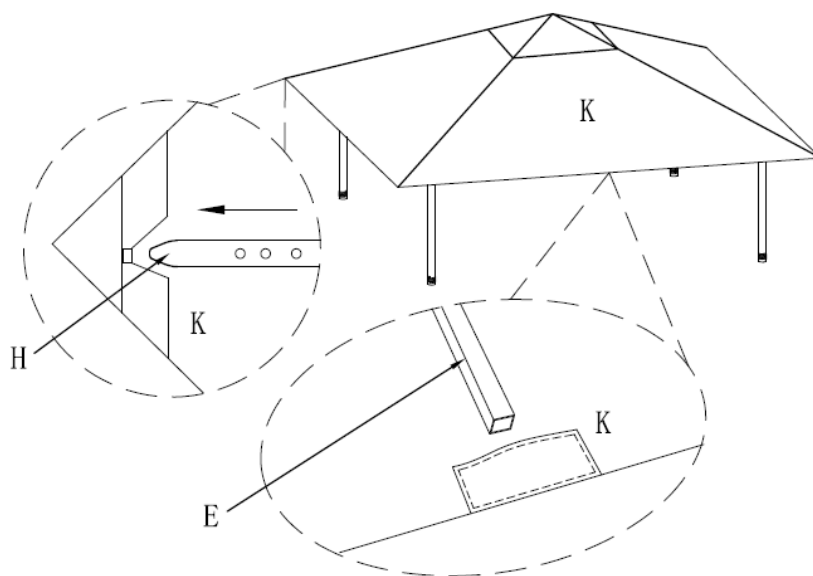
STEP 7

Part H clips onto each of the four corners. Press in the spring button and place onto its shortest setting.



STEP 8

Place the canopy over the assembled frame ensuring it is taut. The corner parts can be adjusted to different lengths to tighten or loosen the fabric stretch.



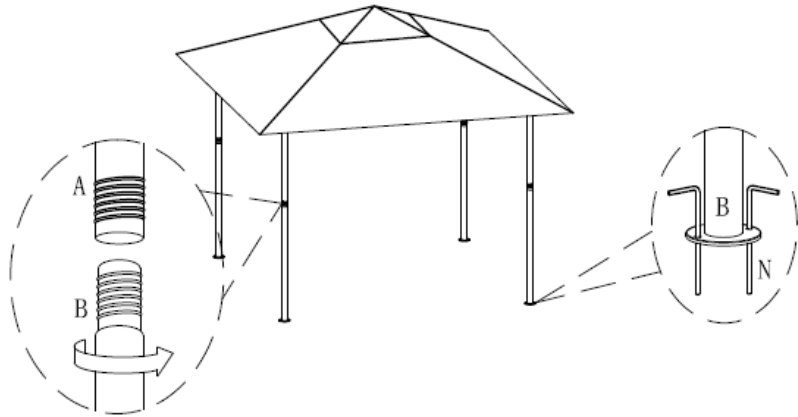
ASSEMBLY INSTRUCTION

DESCRIPTION:

Tandil Gazebo

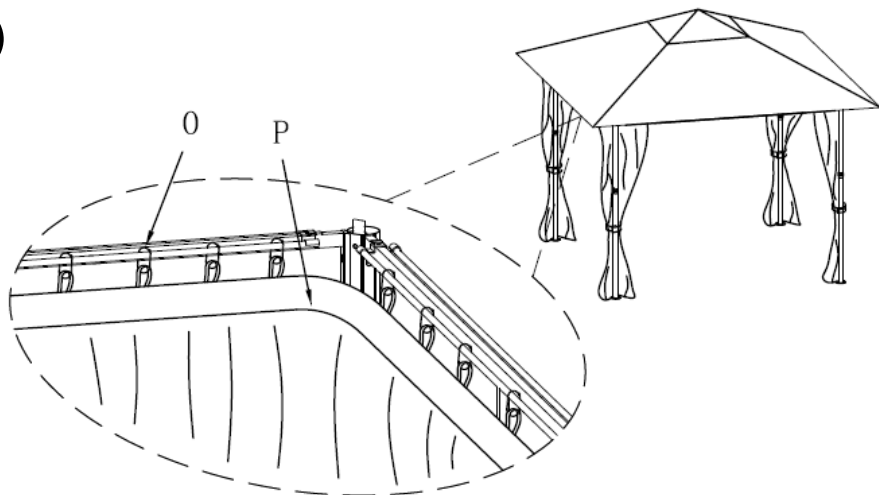
STEP 9

Screw in the lower half of the legs (B) to each upper half (A). Pin the feet into the ground using the pegs to secure in place.



STEP 10

Hook the clips through the side walls hoops and over the rods at the top of the base of the canopy. Ensure the clips are attached to the inner side of the two rods. The gazebo is now ready for use.



innovators
— international —