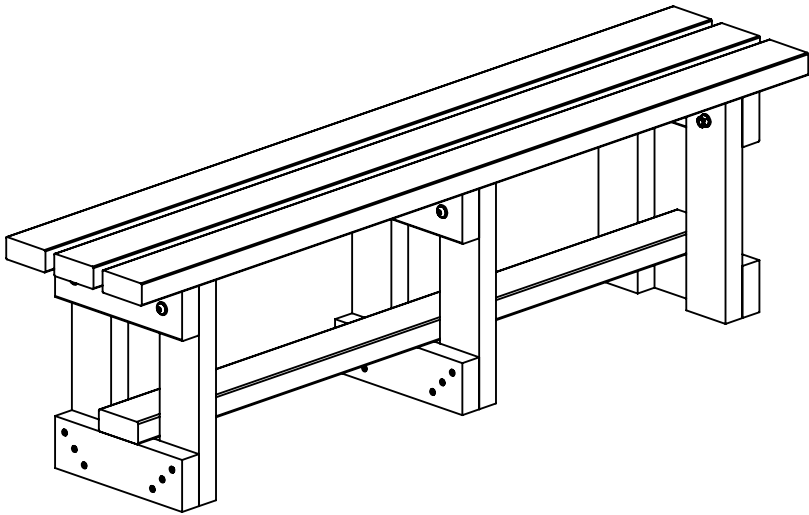


# Backless Bench



## Assembly Guide



**Notes:**

# Parts and Fittings

One Person required  
for safe assembly

Bench Seat



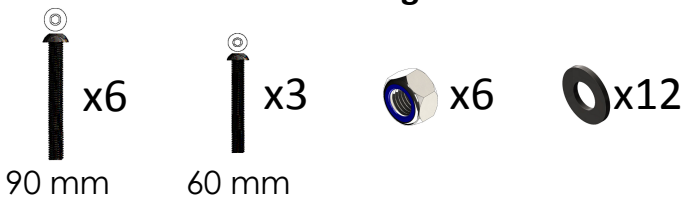
Ground support beam



Leg assembly



## Fittings



Tools required:

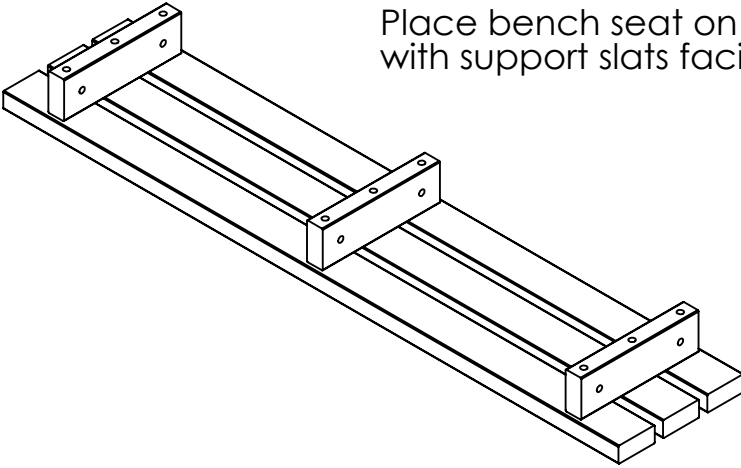


17mm Spanner      x1

6mm Allen Key      x1

# Step 1

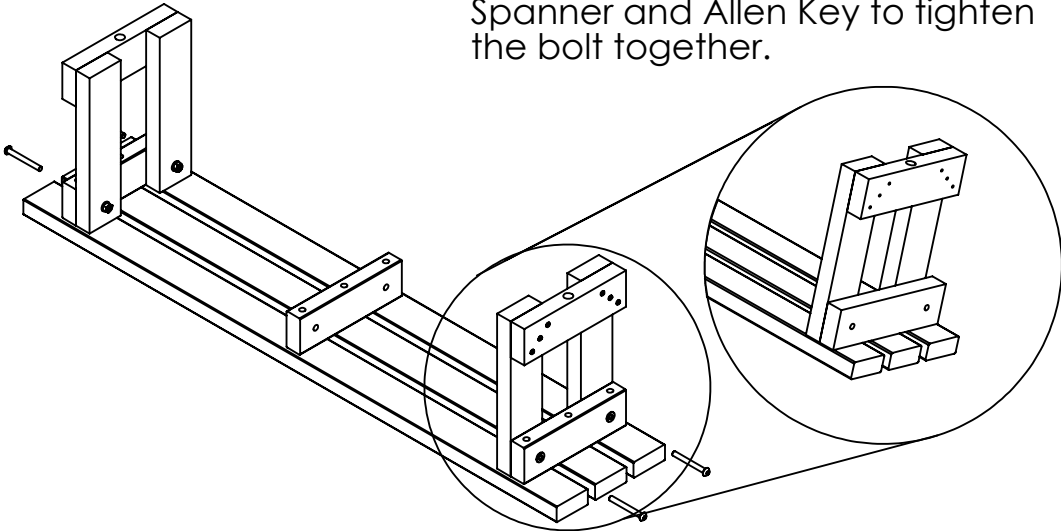
Place bench seat on a soft surface with support slats facing upwards.



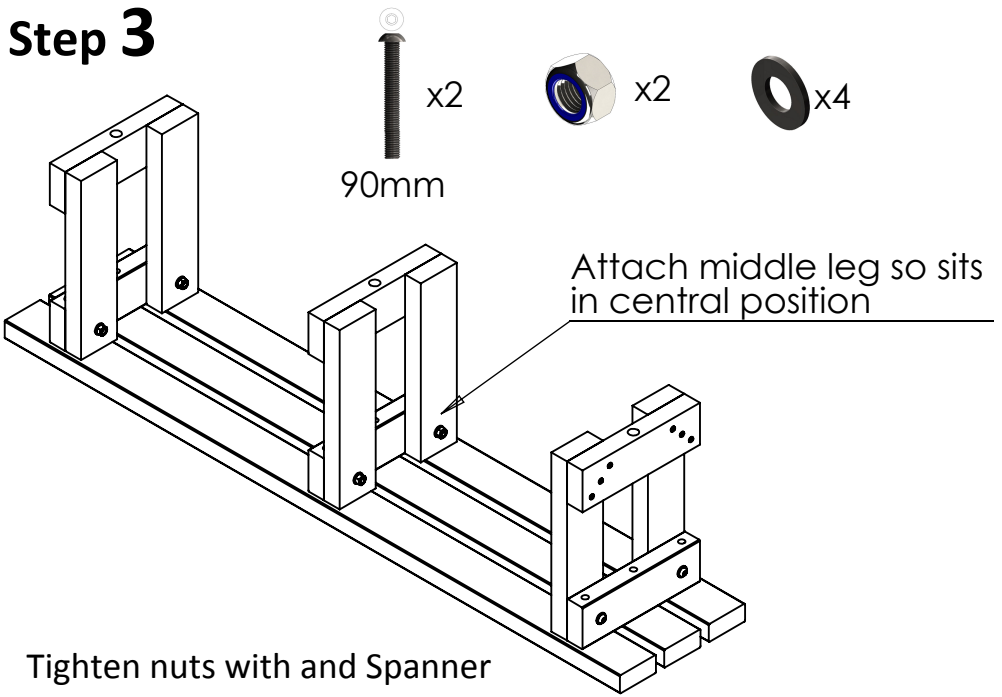
# Step 2



Place the legs with the supports facing outwards and use Spanner and Allen Key to tighten the bolt together.

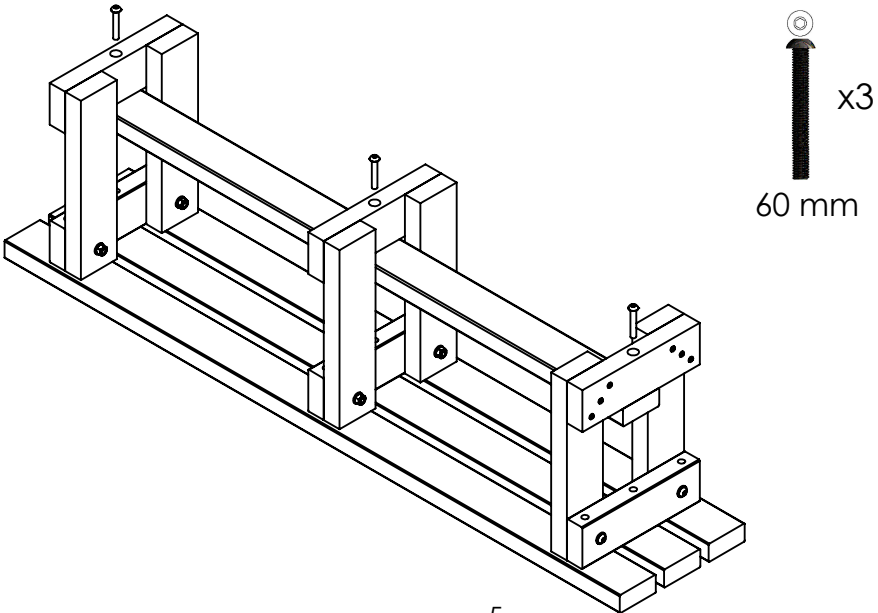


### Step 3



### Step 4

hold the support bar underneath the legs and use the Allen key to fix the bolts into position



**Notes:**

**Notes:**

# THANK YOU FOR PURCHASING THIS PRODUCT

**CONTACT DETAILS:**

Email: [sales@vprecycledplastic.co.uk](mailto:sales@vprecycledplastic.co.uk)

Web: [www.vprecycledplastic.co.uk](http://www.vprecycledplastic.co.uk)

Tel: 0808 1699 838

Value Products Ltd Unit B, Sharp Road, Poole, BH12 4BG

<b>All Parts and Fixings checked by:</b>	
Print Name:	Signature