

Captain's Seat



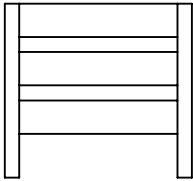
Assembly Guide



Notes:

Parts and Fittings

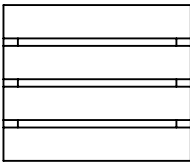
Back Rest



x1

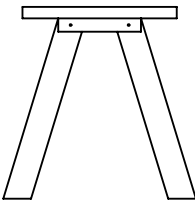
Two People required
for safe assembly

Seat



x1

Leg Assembly



x2

Fittings



x4



x6



x6

Tools Required



Power Screwdriver

x1

6mm Allen Key



Step 1

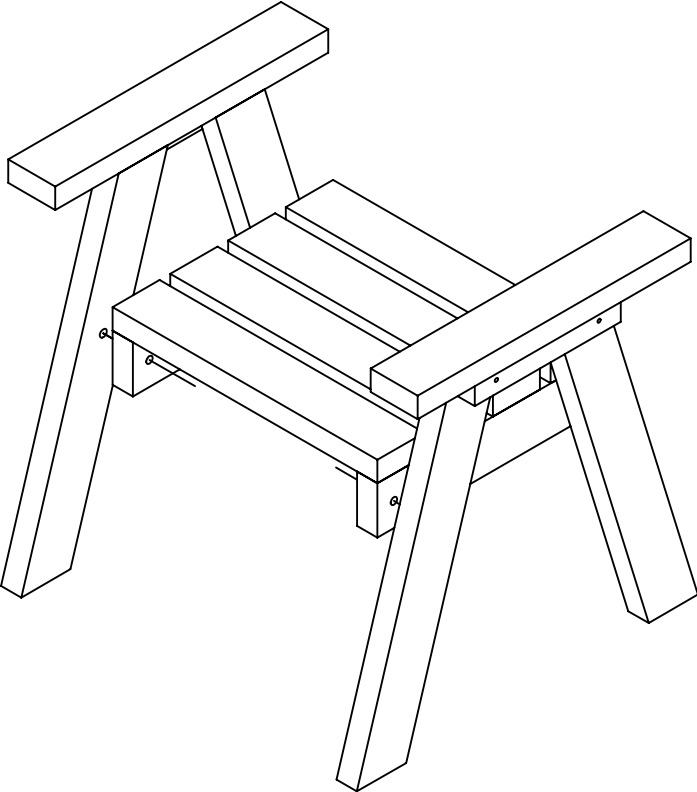
Bolt Leg Assembly to Seat using supplied fixings.



x4



x4



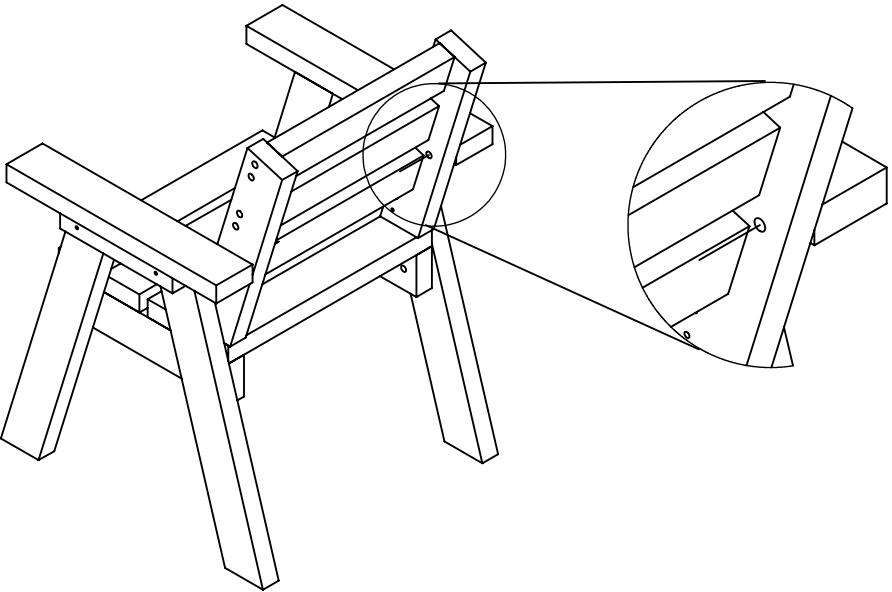
Step 2

Use remaining M10x60 bolts to secure Back Rest to Leg Assembly as shown in diagram.

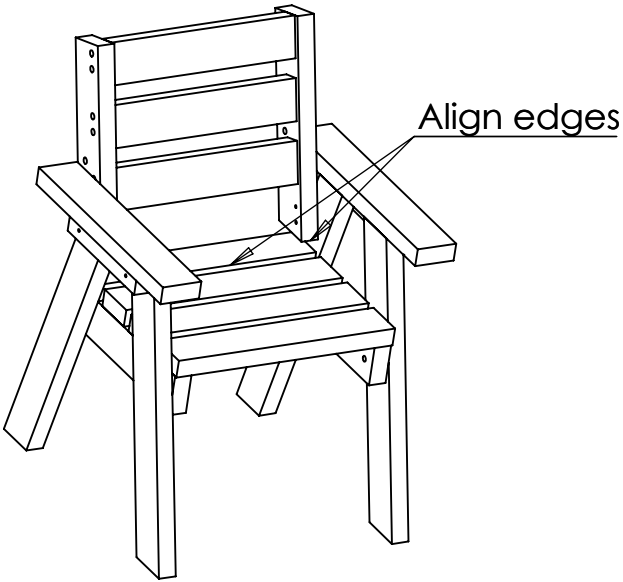


x2

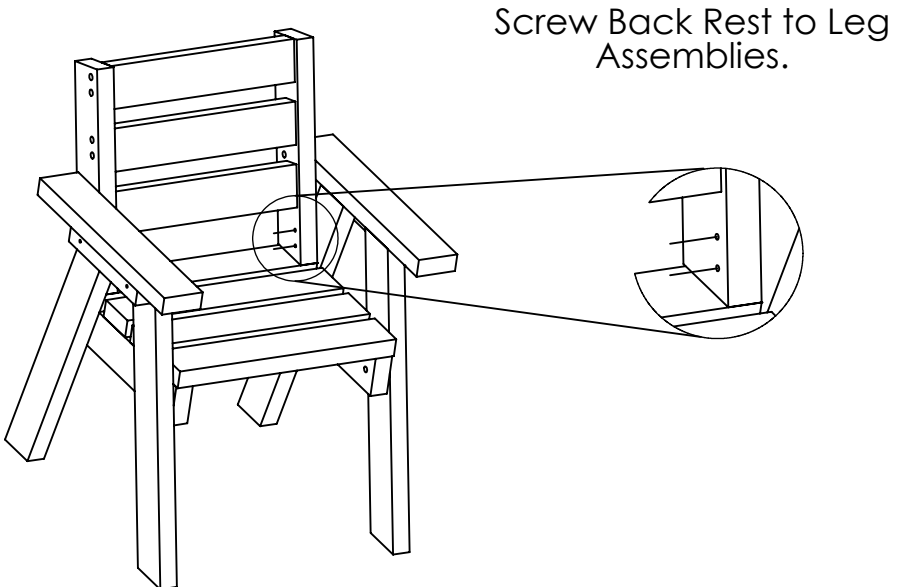
@ x2



Step 3 Take Back Rest and line the front edge with the rear Seat slat. With Back Rest in position fix in position seen below.



x4



Notes:

THANK YOU FOR PURCHASING THIS PRODUCT

CONTACT DETAILS:

Email: sales@vprecycledplastic.co.uk

Web: www.vprecycledplastic.co.uk

Tel: 0808 1699 838

Value Products Ltd Unit B, Sharp Road, Poole, BH12 4BG

| | |
|--|-----------|
| All Parts and Fixings checked by: | |
| Print Name: | Signature |
| | |