

Assembly Instructions

1.8m Wood Picnic Table

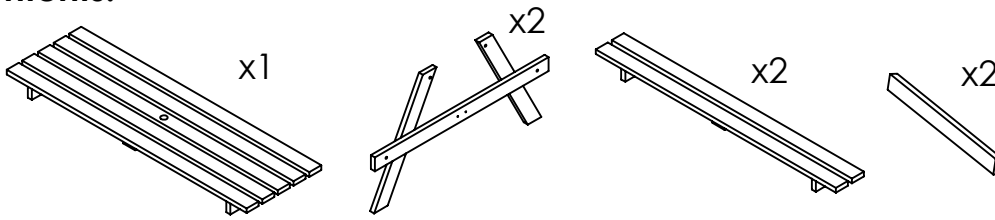
WPT003-01-270422



PicnicTable

Superior Picnic Tables Made In The UK

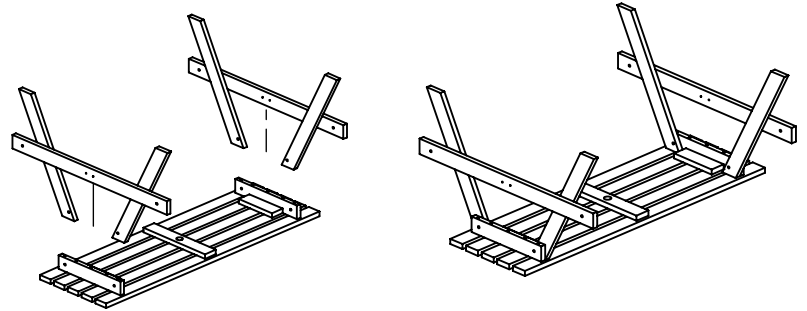
Contents:



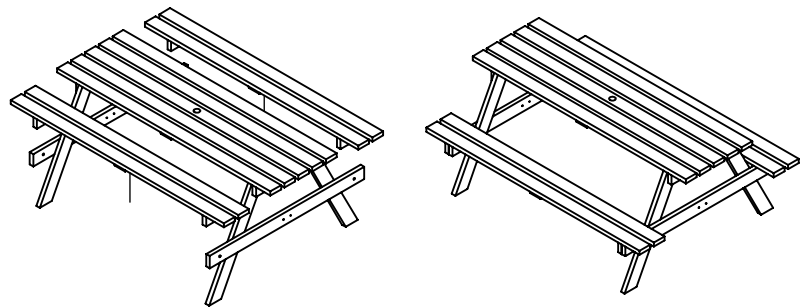
Fixings	QTY
M10x80mm Bolt	8
M10 Nut	8
M10 Washer	16
50mm Wood Screw	8

Tools Required: Combi/Power Drill, 17mm Spanner

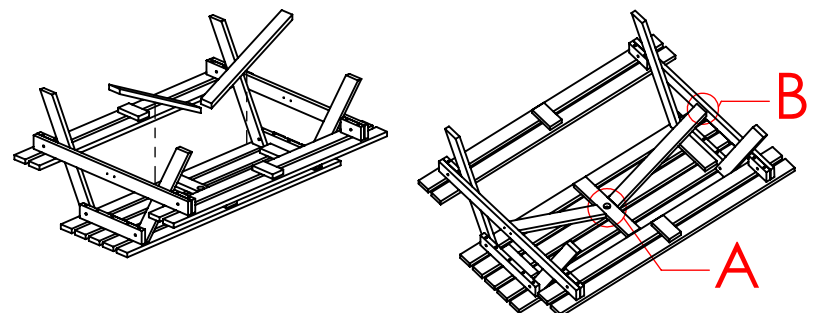
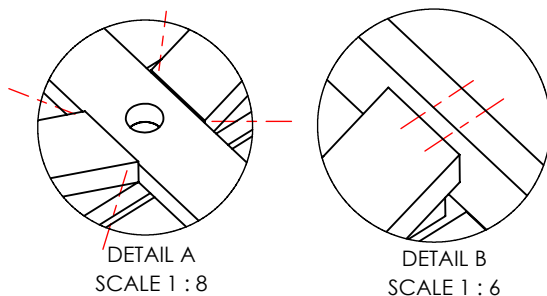
Step 1: Lay the tabletop on a soft surface and bolt the a-frames to the tabletop using x4 m10x80 bolts.



Step 2: With at least two people, flip the table the right way up and bolt the seats into the a-frames.



Step 3: Flip the table again and screw the diagonals into the a-frame crossbars and the middle table support.



Maintenance:

15 years guarantee.

If damaged, repair and treatment is required.

Can be cleaned with soapy water.

Dependent on environment, more frequent treatment may be required.

Pressure treated tanned timber (Class 4, BS EN 335-1 for direct contact with soil and fresh water).

Contact: Tel - 08081751903 **Email** - sales@picnictable.co.uk
Web - picnictable.co.uk

THANK YOU FOR YOUR BUSINESS