

Assembly Instructions

Wood Round Table

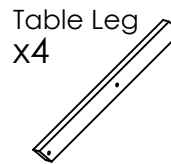
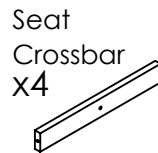
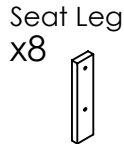
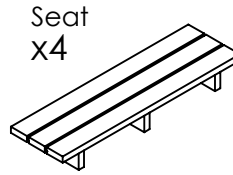
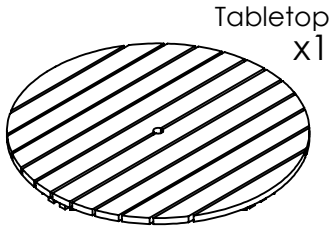
WOCT003-01-280422



PicnicTable

Superior Picnic Tables Made In The UK

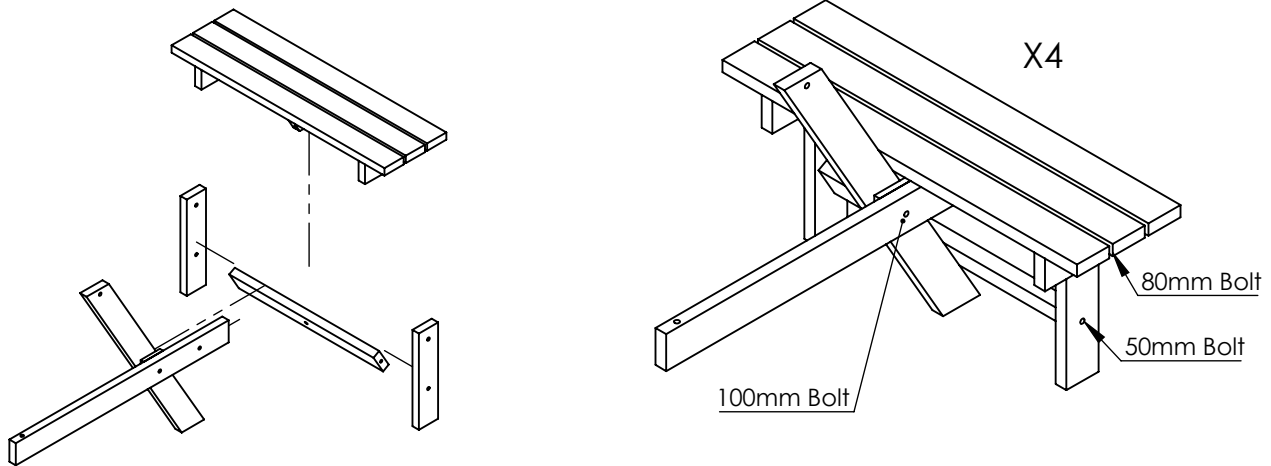
Contents:



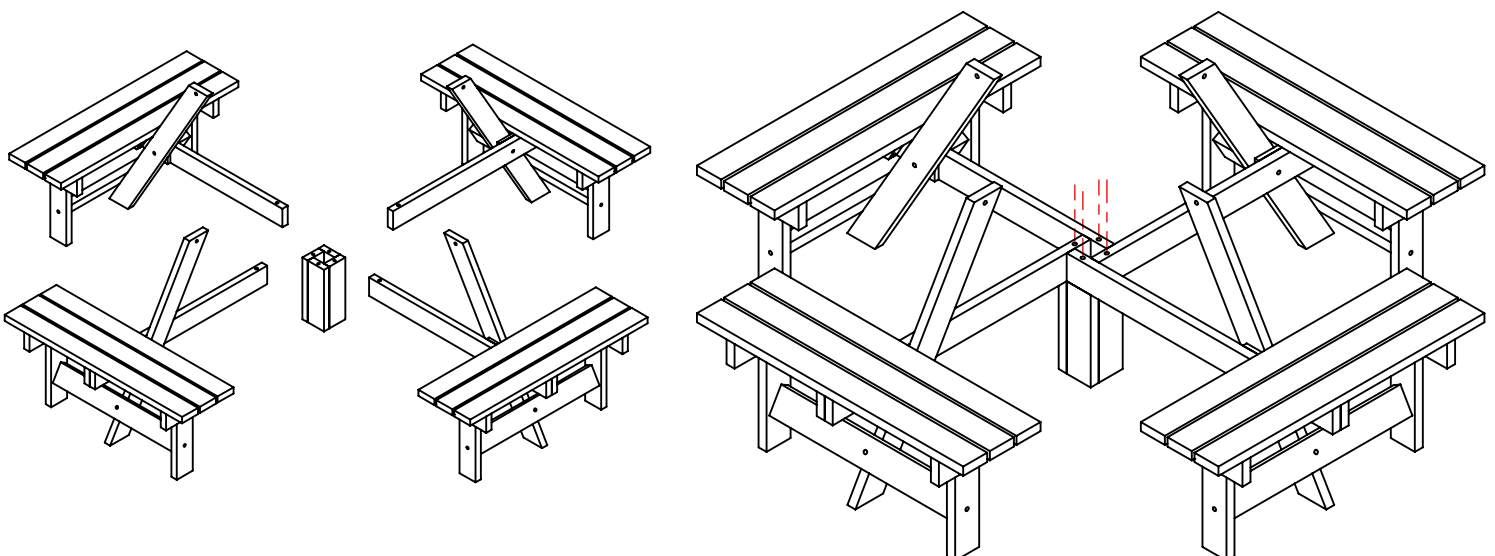
| Fixings | QTY |
|---------------|-----|
| M10x120 Bolt | 4 |
| M10x100 Bolt | 8 |
| M10x80mm Bolt | 12 |
| M10x50mm Bolt | 12 |
| M10 Nut | 36 |
| M10 Washer | 72 |

Tools Required: 17mm Spanner

Step 1: Assemble the seat frames using 100mm, 80mm and 50mm bolts, bolting the seat legs together with the table crossbar, and into the seat. Bolt the table leg to the table crossbar then bolt into the seat undercarriage. Repeat x4.



Step 2: Move to final location and bolt the assembled seats into the undercarriage block as shown below, using M10x100mm bolts.



Assembly Instructions

Wood Round Table

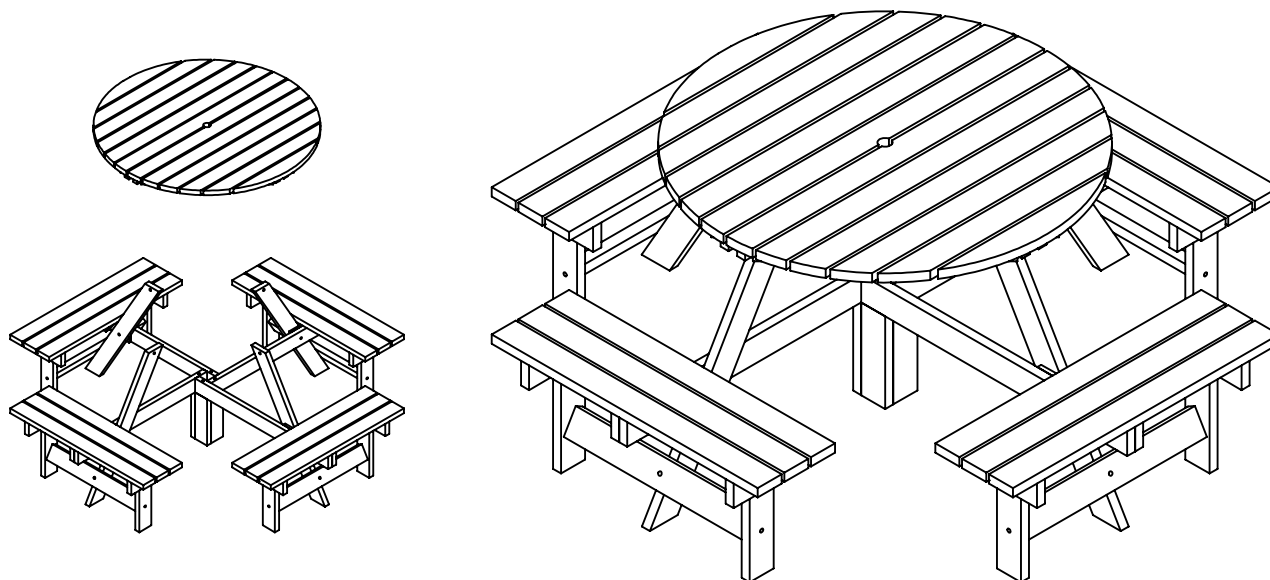
WOCT003-01-280422



PicnicTable

Superior Picnic Tables Made In The UK

Step 3: Move the tabletop into position and bolt through the legs using x4 M10x120 Bolts.



Maintenance:

15 years guarantee.

If damaged, repair and treatment is required.

Can be cleaned with soapy water.

Dependent on environment, more frequent treatment may be required.

Pressure treated tanalised timber (Class 4, BS EN 335-1 for direct contact with soil and fresh water).

Contact: Tel - 08081751903 **Email** - sales@picnictable.co.uk
Web - picnictable.co.uk

THANK YOU FOR YOUR BUSINESS