

Picnic Table



Assembly Guide

NBB 
Recycled
Furniture

NBB 
Outdoor
Shelters

NBB 
Premises
& Matting

NBB 
School
Shelters

Notes:

Parts and Fittings

Table Top



x1

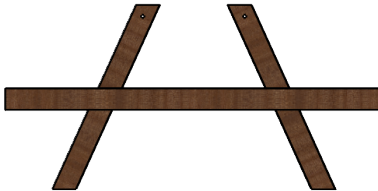
Two People required
for safe assembly

Bench Seat



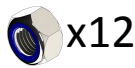
x2

Legs



x3

Fittings



Tools supplied



17mm Spanner

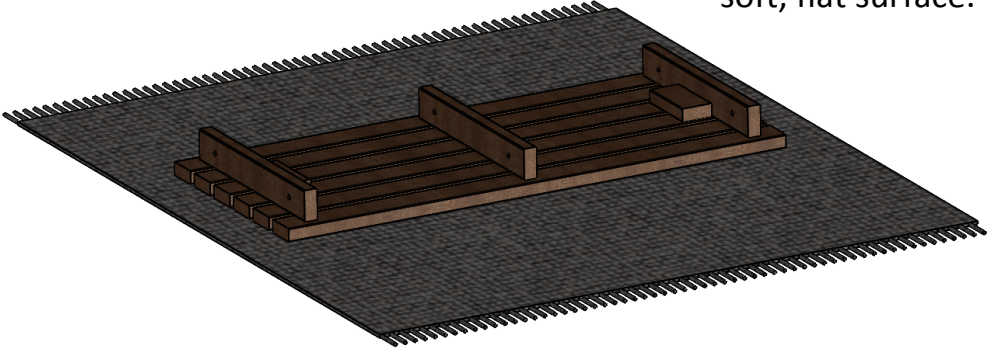
x1

6mm Allen Key

x1

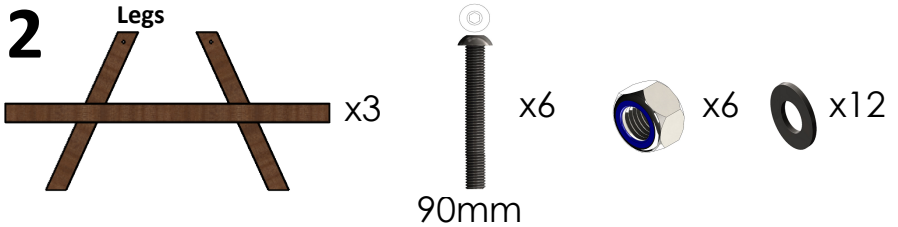
Step 1

Place table top on any soft, flat surface.

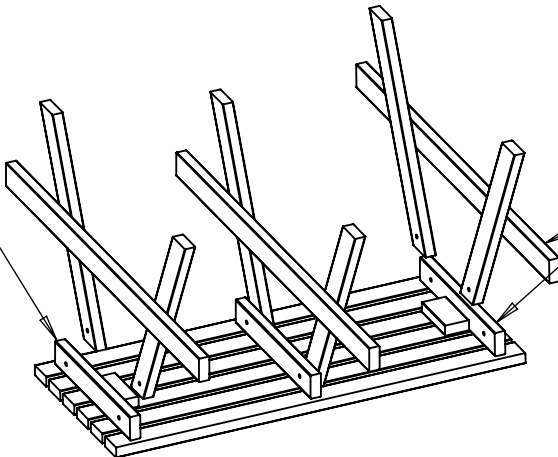


Do not over-tighten bolts during assembly as small adjustments will help parts fit.

Step 2



NOTE: Legs sit on inside of beam



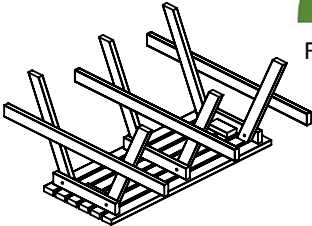
Ensure Leg & Table braces are in line vertically

Fully tighten nuts and bolts with spanner and allen key.

Step 3



Flip table using two people.



Step 4

Bench Seat



x2



x6

90mm



x6



x12



Notes:

Notes:

THANK YOU FOR PURCHASING THIS PRODUCT

CONTACT DETAILS:

Email : sales@recycledfurniture.co.uk

Web : www.recycledfurniture.co.uk

Tel : 0800 1777 052

NBB Recycled Furniture, Unit 5, 145 Sterte Road, Poole, Dorset BH15 2AF

All Parts and Fixings checked by:	
Print Name:	Signature