

Captain's Double/Treble Seat



Assembly Guide

NBB 
**Recycled
Furniture**

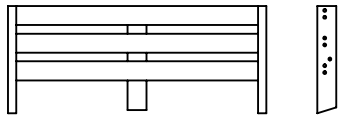
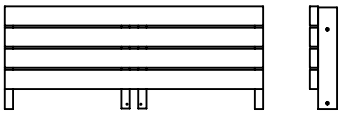
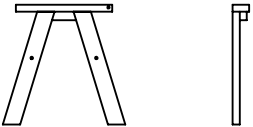
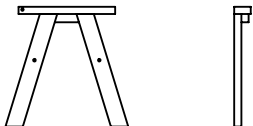
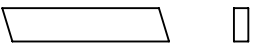
NBB 
**Outdoor
Shelters**

NBB 
**Premises
& Matting**

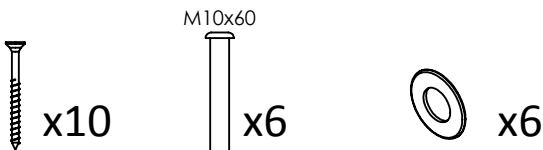
NBB 
**School
Shelters**

Parts and Fittings

Two People required
for safe assembly

ITEM NO.	PART NAME	DRG NUMBER	IMAGE	QTY.
1	Back Rest - 496x1195	CS-02-05		1
2	Seat - 1195x470	CS-02-06		1
3	A-Frame (Left) - 648.5x634	CS-02-03		1
4	A-Frame (Right) - 648.5x634	CS-02-04		1
5	Leg Brace - 441x88x38	CS-03-16		2

Fittings

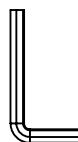


Tools Required



Screwdriver

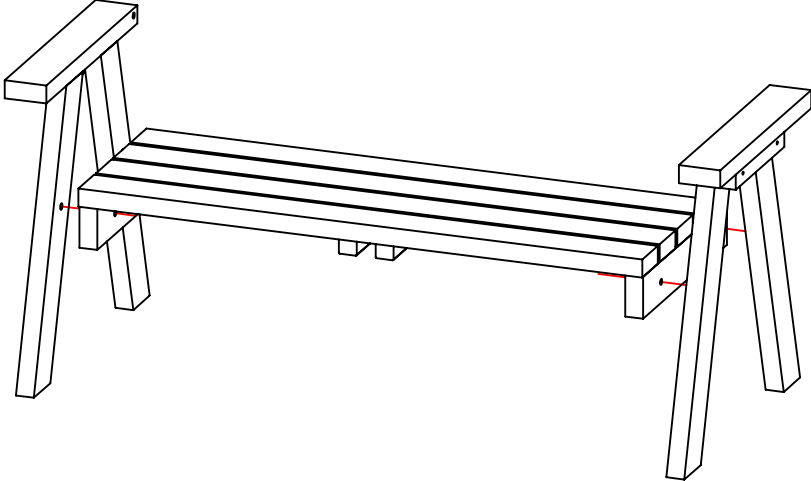
x1



6mm Allen Key

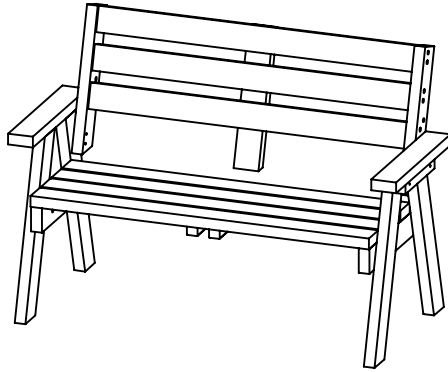
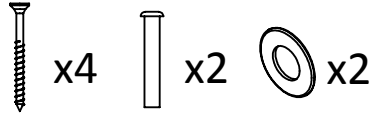
x1

Step 1 Bolt M10x60 bolts through the holes in the seat brackets and into the inserts in the legs.

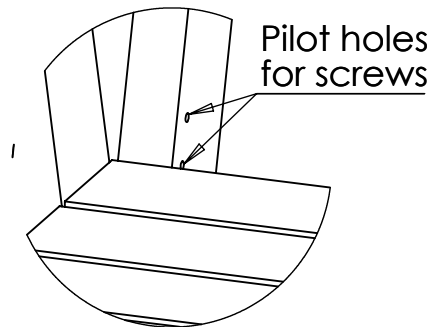
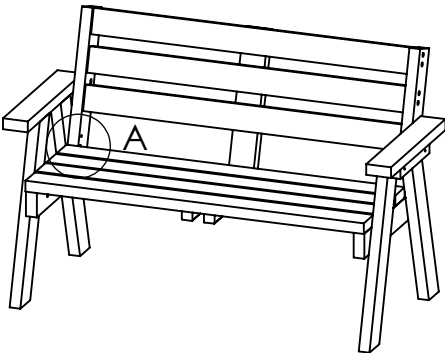


Step 2 Place back rest between legs and bolt through the holes in the side supports and into the inserts in the arm rests on both sides. (M10x60 Bolts)

Note: Always bolt first.
This will help align back rest with seat.

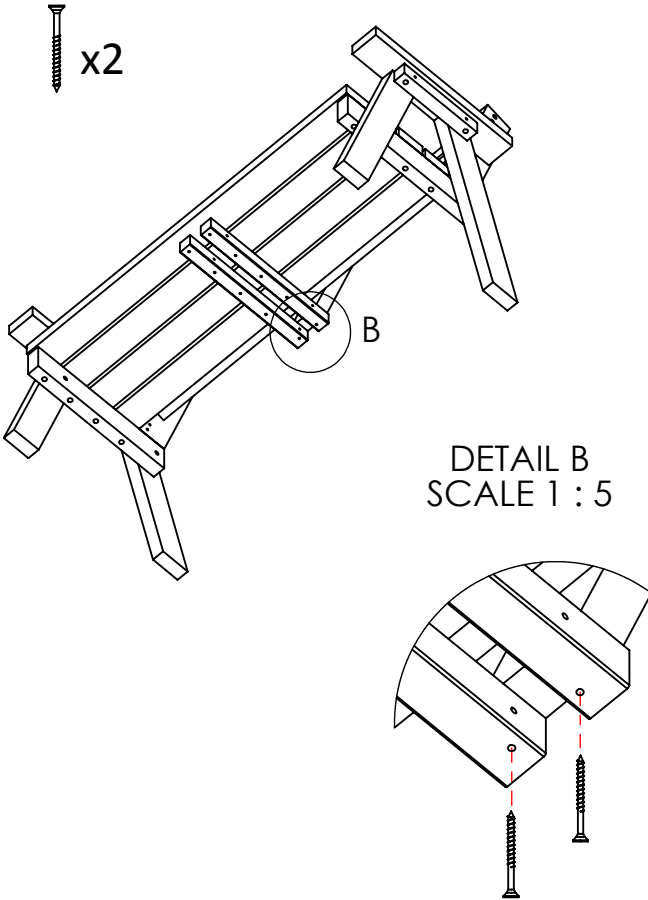


Secure back rest to a frames using screws provided.
(See detail below)

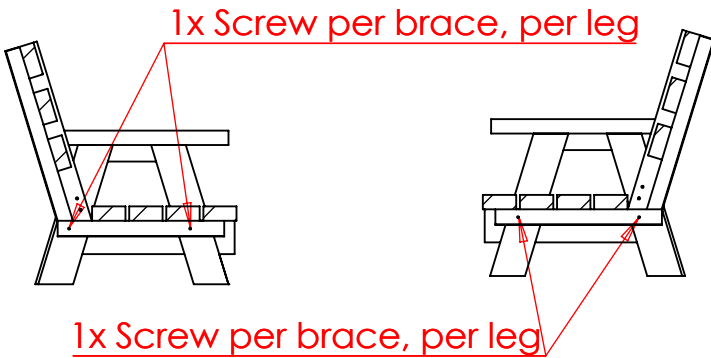
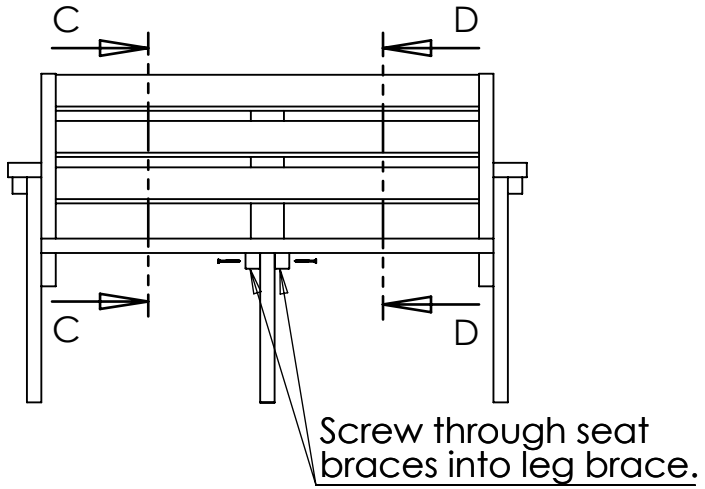


DETAIL A
SCALE 1 : 5

Step 3 Using screws provided, screw through the countersunk mark on the bottom of the seat braces into the bottom of the back rest support as shown below.



Step 4 Screw Middle Legs to the seat through the middle brackets, 2 screws per leg.



SECTION C-C
SCALE 1 : 20

SECTION D-D
SCALE 1 : 20

Notes:

THANK YOU FOR PURCHASING THIS PRODUCT

CONTACT DETAILS:

Email : sales@recycledfurniture.co.uk

Web : www.recycledfurniture.co.uk

Tel : 0800 1777 052

NBB Recycled Furniture, Unit 5, 145 Sterte Road, Poole, Dorset BH15 2AF

All Parts and Fixings checked by:	
Print Name:	Signature