

Heavy Duty Octagonal Table Instructions



Assembly Guide

NBB 
**Recycled
Furniture**

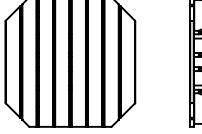
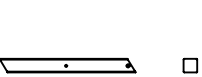

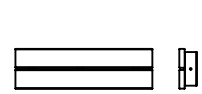
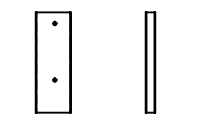
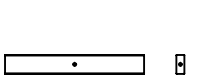
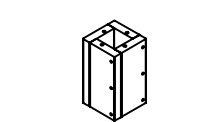
NBB 
**Outdoor
Shelters**

NBB 
**Premises
& Matting**

NBB 
**School
Shelters**

Parts and Fittings

**Two People required
for safe assembly**

ITEM NO.	PART NAME	DRG NUMBER	IMAGE	QTY.
1	Heavy Duty Table Top Assembly - 90x90	HDO-002-01		1
2	Leg 1 - 900x90x90 - OR	HDO-003-01		4
3	UC1 - 1021x88x38 - 90x90 - OR	HDO-004-02		4
4	Heavy Duty Seat Assembly - 90x90	HDO-005-02		4
5	UC2 - 398x140x38 - 90x90 - OR	HDO-006-01		8
6	UC3 - 643X88X38 - 90x90 - OR	HDO-007-02		4
7	UC - 310x178x178 - 90x90 - OR	HDO-008-02		1

Fixings

FIXING	QTY.
M10 X 190	4
M10 X 140	4
M10 X 110	4
M10 X 90	12
M10 X 60	12
M10 WASHER	36
M10 NUT	32

Tools Required



17mm Spanner

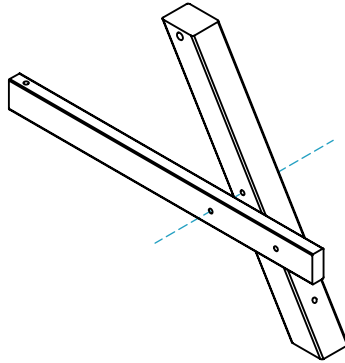
x2

6mm Allen Key

x1

Step 1

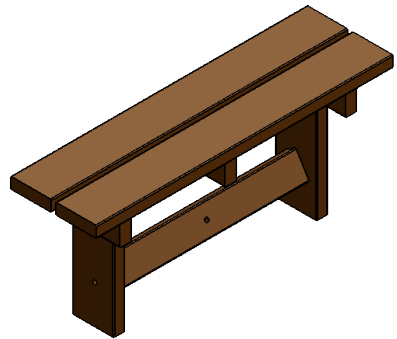
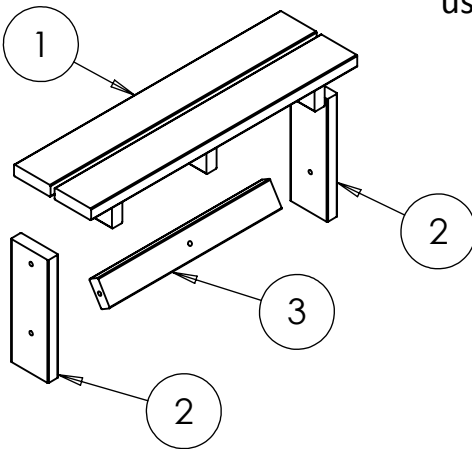
Bolt leg to UC1 using 140mm bolts supplied, repeat for all other legs.



Do not over-tighten bolts during assembly as small adjustments will help parts fit.

Step 2

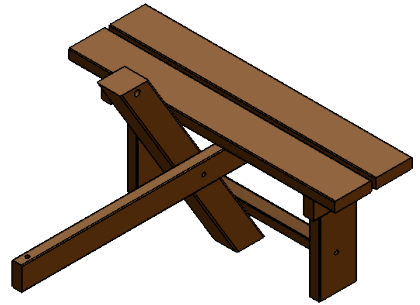
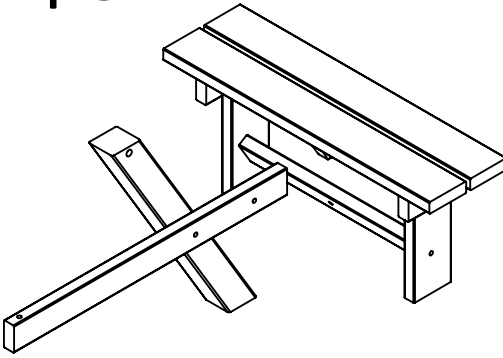
Assemble seats as below using bolts supplied



ITEM NO.	PART NAME	QTY.
1	Heavy Duty Seat Assembly - 90x90	1
2	UC2 - 398x140x38 - 90x90 - OR	2
3	UC3 - 643X88X38 - 90x90 - OR	1

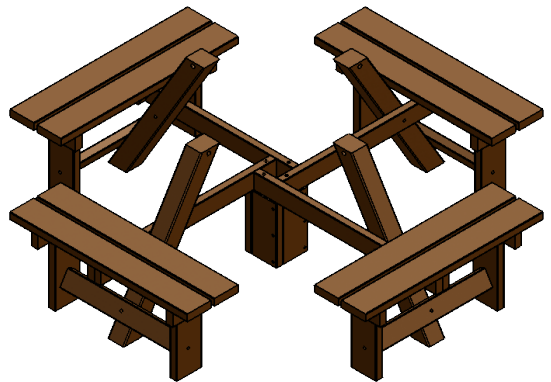
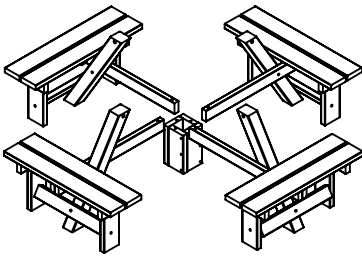
Step 3

Bolt step 1 & 2 assemblies together using 90mm bolts.



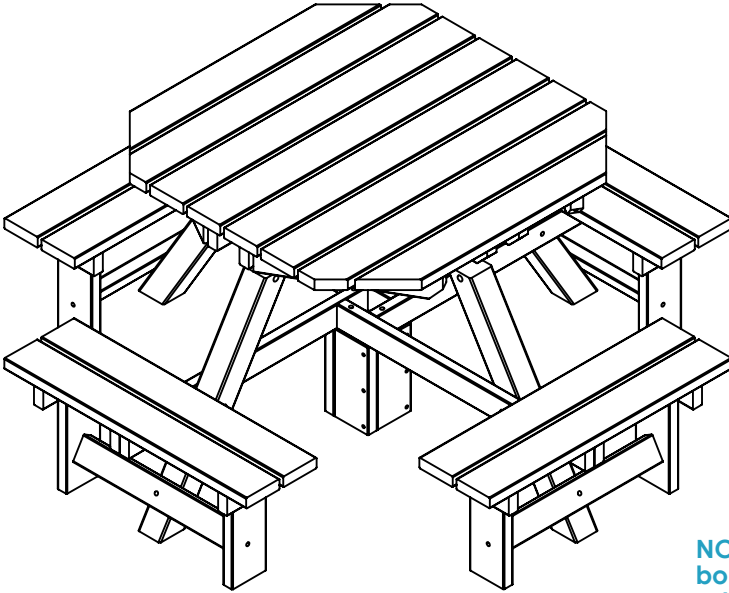
Step 4

Secure seat assemblies to block using M10x110.



Step 5

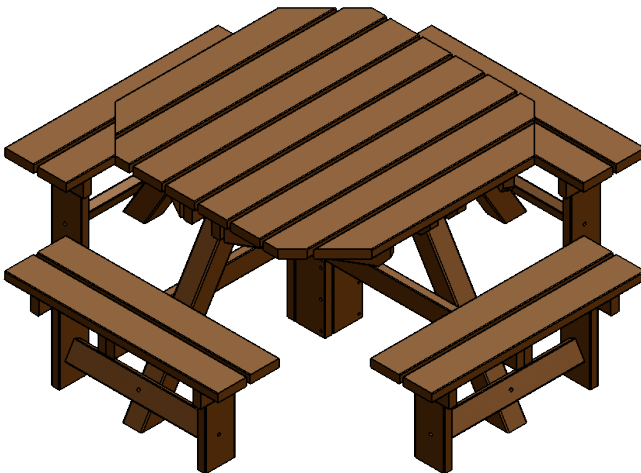
Bolt the table top to the 4 legs centrally.



NOTE: When locating bolts legs may need adjusting.

Step 6

Finally tighten all bolts fully before use.



Notes:

THANK YOU FOR PURCHASING THIS PRODUCT

CONTACT DETAILS:

Email : sales@recycledfurniture.co.uk

Web : www.recycledfurniture.co.uk

Tel : 0800 1777 052

NBB Recycled Furniture, Unit 5, 145 Sterte Road, Poole, Dorset BH15 2AF

All Parts and Fixings checked by:	
Print Name:	Signature