

Junior / Nursery Picnic Table/Activity Table



Junior / Activity
Picnic Table



Nursery Picnic Table

Assembly Guide

NBB 
Recycled
Furniture

NBB 
Outdoor
Shelters

NBB 
Premises
& Matting

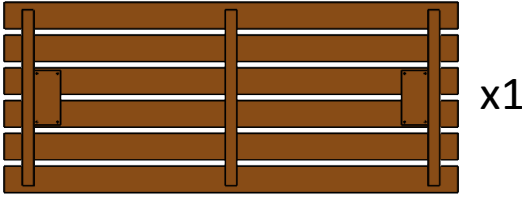
NBB 
School
Shelters

Notes:

Parts and Fittings

Two People required
for safe assembly

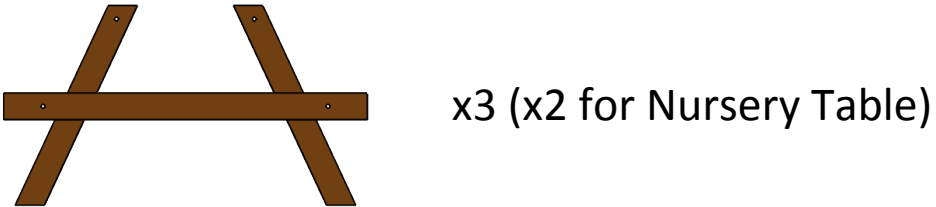
Table Top



Bench Seat



Legs



Fittings



Tools supplied

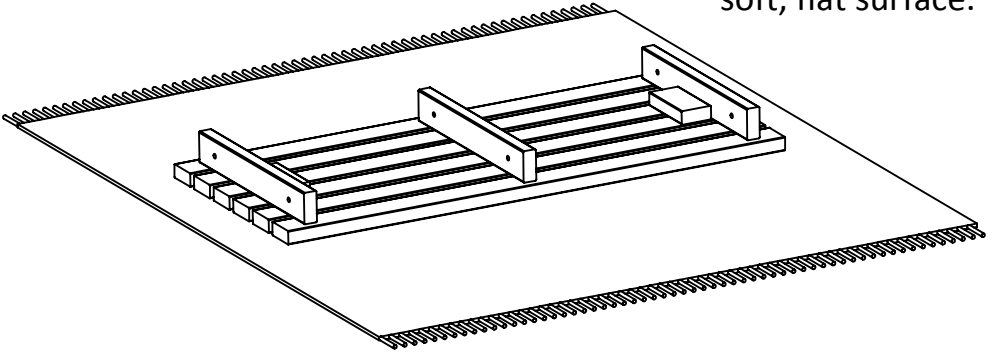


17mm Spanner x1

6mm Allen Key x1

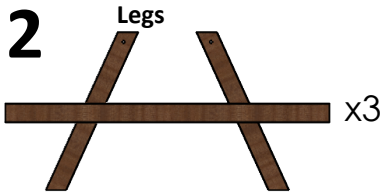
Step 1

Place table top on any soft, flat surface.

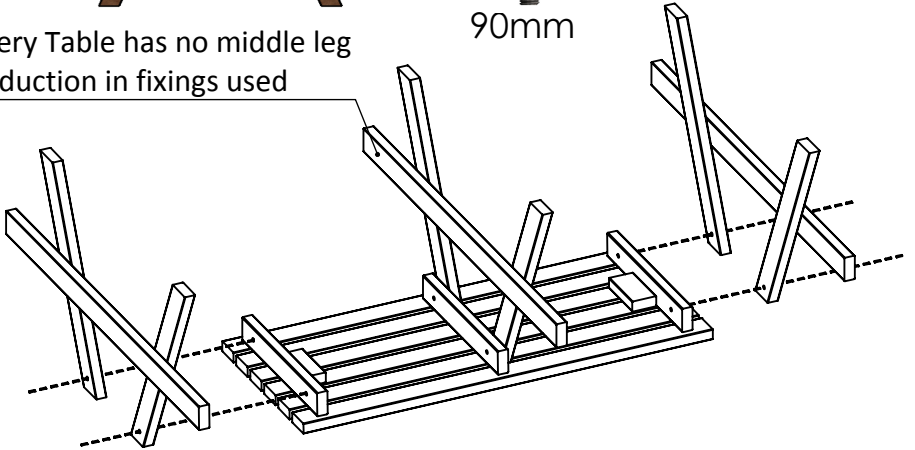


Do not over-tighten bolts during assembly as small adjustments will help parts fit.

Step 2



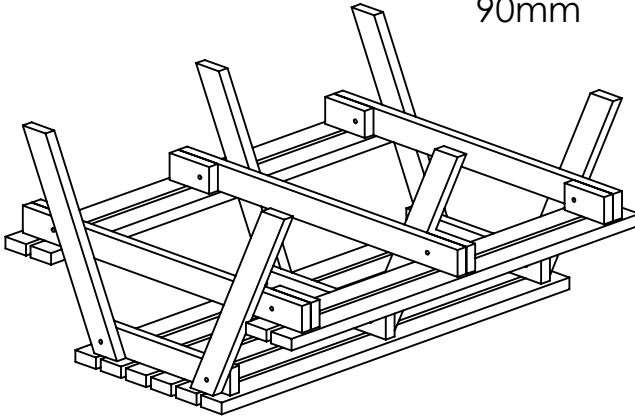
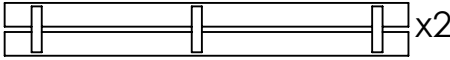
Nursery Table has no middle leg so reduction in fixings used



Tighten nuts and bolts with spanner and allen key.

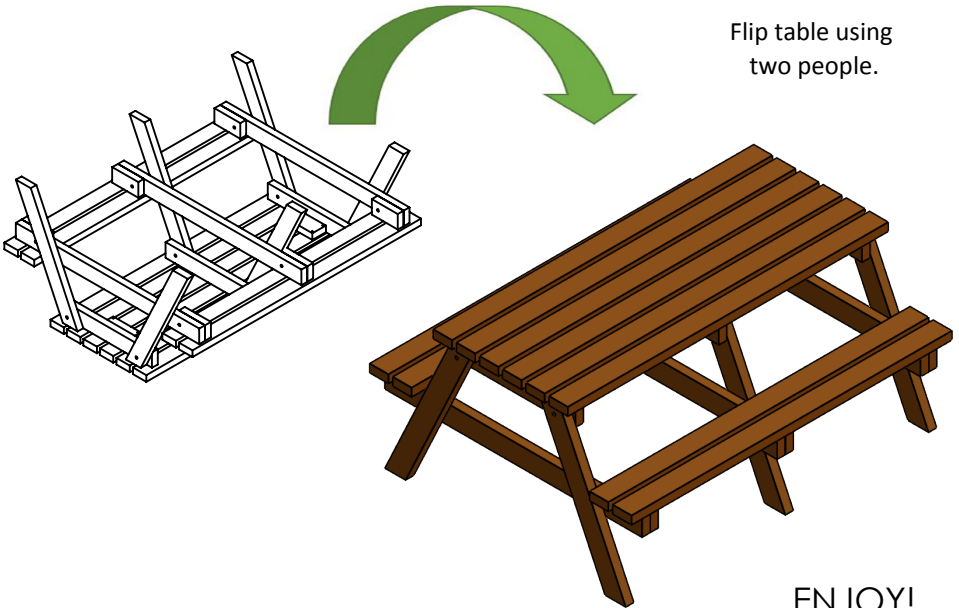
Step 3

Bench Seat



One person should hold the bench seat up in position. The other person can then tighten nuts and bolts with a spanner and an allen key. Repeat for other side. Ensure all nuts and bolts are fully tightened at this step.

Step 4



Flip table using two people.

ENJOY!

Notes:

Notes:

THANK YOU FOR PURCHASING THIS PRODUCT

CONTACT DETAILS:

Email : sales@recycledfurniture.co.uk

Web : www.recycledfurniture.co.uk

Tel : 0800 1777 052

NBB Recycled Furniture, Unit 5, 145 sterte Road, Poole, Dorset, BH15 2AF

All Parts and Fixings checked by:	
Print Name:	Signature