

# Nursery Picnic Table with Sandbox



## Assembly Guide

**NBB**   
**Recycled  
Furniture**

**NBB**   
**Outdoor  
Shelters**

**NBB**   
**Premises  
& Matting**

**NBB**   
**School  
Shelters**

**Notes:**

# Parts and Fittings

Sand Box



Two People required  
for safe assembly

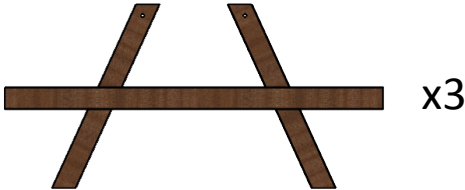
Sand Box Lid



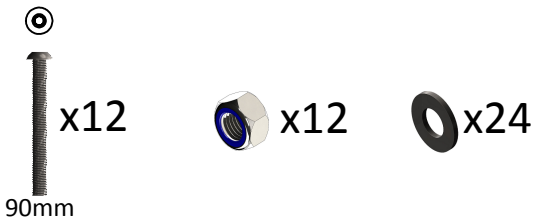
Bench Seat



Legs



Fittings



Tools supplied

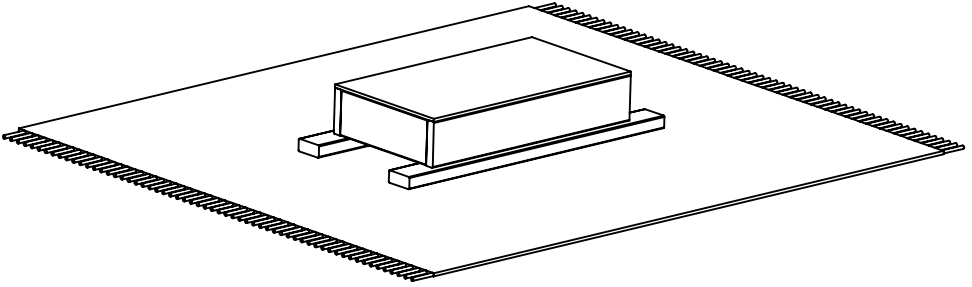


17mm Spanner x1

6mm Allen Key x1

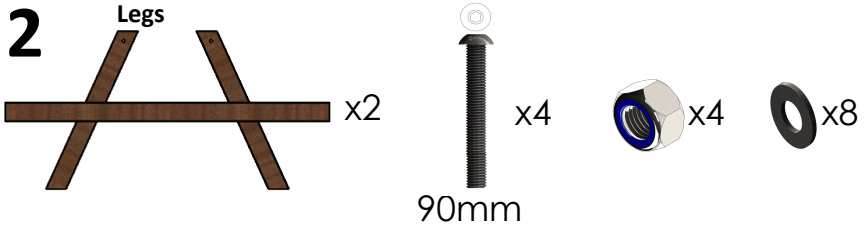
# Step 1

Place the sand box slat face down on any soft, flat surface.

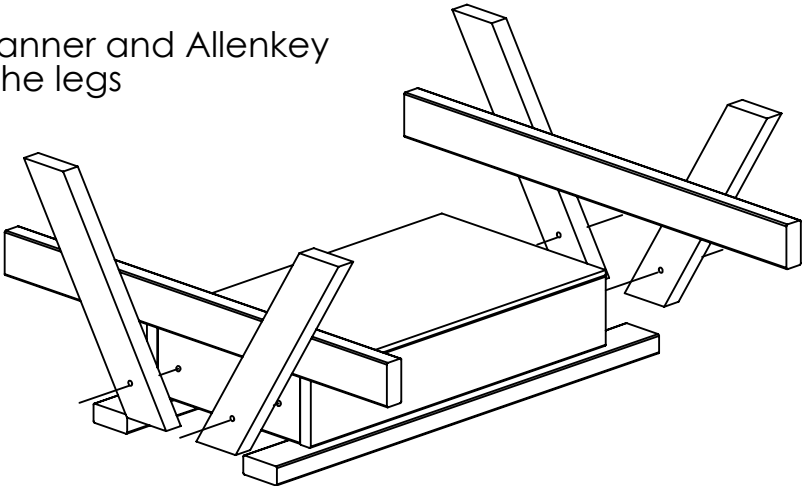


**Do not over-tighten bolts during assembly as small adjustments will help parts fit.**

# Step 2

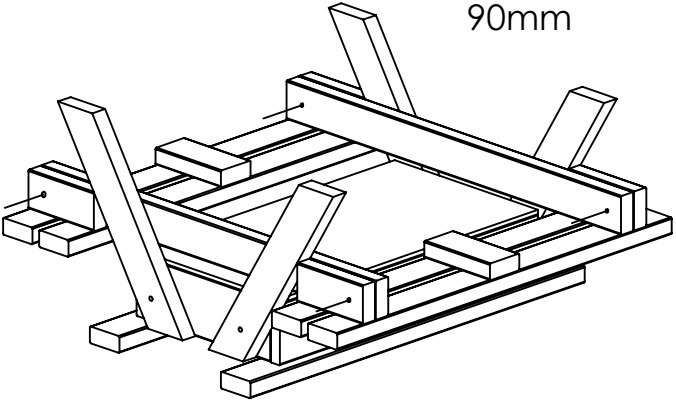
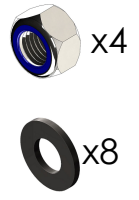


Use the Spanner and Allenkey to attach the legs



# Step 3

Bench Seat

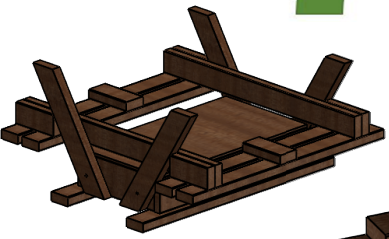


One person should hold the bench seat in position.  
The other person can then tighten nuts and bolts with a spanner and an allen key.  
Repeat for other side. Ensure all nuts and bolts are fully tightened at this step.

# Step 4



Flip table using two people.



## Step 5

Fill sand box with sand and place lid over top



Enjoy your new Picnic Table with Sandbox

**Notes:**

# THANK YOU FOR PURCHASING THIS PRODUCT

**CONTACT DETAILS:**

Email : [sales@recycledfurniture.co.uk](mailto:sales@recycledfurniture.co.uk)

Web : [www.recycledfurniture.co.uk](http://www.recycledfurniture.co.uk)

Tel : 0800 1777 052

NBB Recycled Furniture, Unit 5, 145 Sterte Road, Poole, Dorset BH15 2AF

<b>All Parts and Fixings checked by:</b>	
<b>Print Name:</b>	<b>Signature</b>