

# Wheelchair Octagonal / Round Table Instructions



## Assembly Guide

**NBB**   
**Recycled  
Furniture**

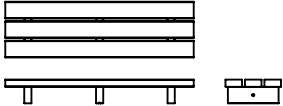
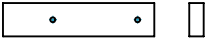

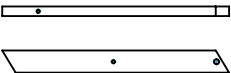
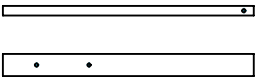
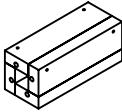
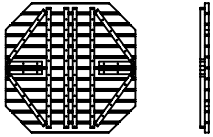
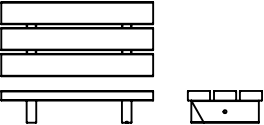
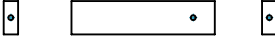
**NBB**   
**Outdoor  
Shelters**

**NBB**   
**Premises  
& Matting**

**NBB**   
**School  
Shelters**

# Parts and Fittings

**Two People required  
for safe assembly**

ITEM NO.	PART NAME	DRG NO:	IMAGE	QTY.
1	Octagon - Round Seat - 995x294 - OR	OR-001-01		3
2	UC2 - 400x88x38 - OR	OR-021-01		8
3	UC3 - 643X88X38 - OR	OR-022-01		3
4	UC5 - 900x88x38 - OR	OR-025-03		4
5	UC1 - 995x88x38 - OR	OR-020-01		4
6	UC - 312x88x38 Block -OR	OR-024-02		1
7	Octagonal Table Assembly - OR	OR-005-06		1
8	Wheelchair Octagonal Seat Assembly	WOR-002-01		1
9	UC3 - 378.5x88x38 - WOR	WOR-003-01		1

## Fixings

FIXING	QTY.
M10 X 140	4
M10 X 130	5
M10 X 90	14
M10 X 60	12
M10 WASHER	66
M10 NUT	31

### Tools Required



17mm Spanner

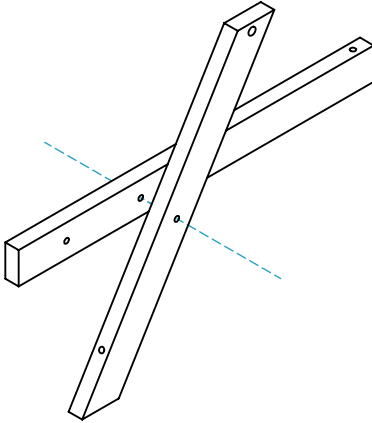
**x1**

6mm Allen Key

**x1**

# Step 1

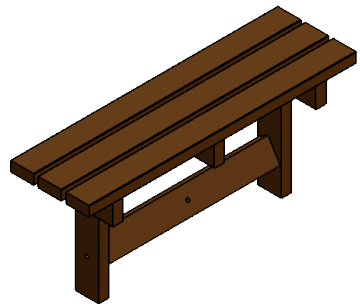
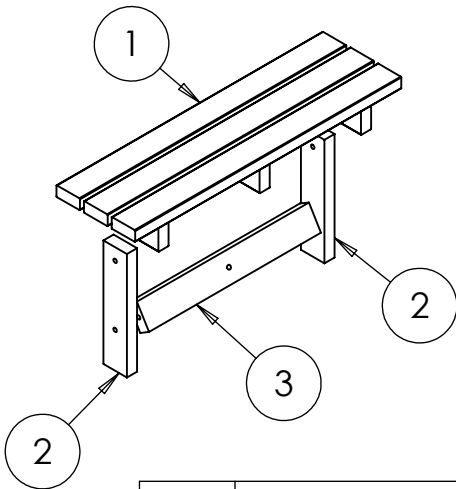
Bolt leg to UC1 using 90mm bolts supplied, repeat for all other legs.



**Do not over-tighten bolts during assembly as small adjustments will help parts fit.**

# Step 2

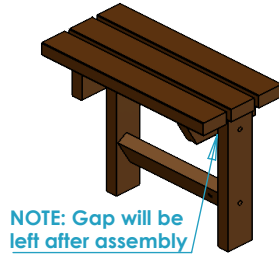
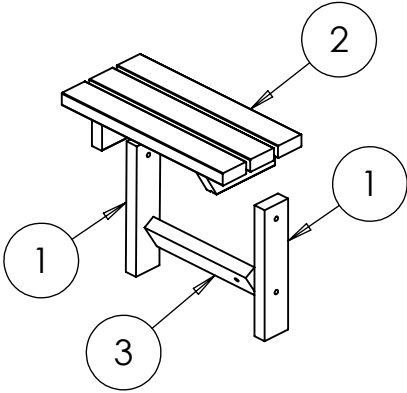
Assemble seats as below using bolts supplied



ITEM NO.	PART NAME	DRG NUMBER	Step 2/QTY.
1	Octagon - Round Seat - 995x294 - OR	OR-001-01	1
2	UC2 - 400x88x38 - OR	OR-021-01	2
3	UC3 - 643X88X38 - OR	OR-022-01	1

# Step 3

Assemble half seat as below.



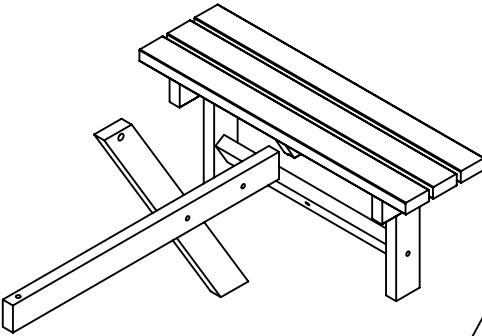
**NOTE:** Gap will be left after assembly

ITEM NO.	PART NAME	DRG NUMBER	Step 3/QTY.
1	UC2 - 400x88x38 - OR	OR-021-01	2
2	Wheelchair Octagonal Seat Assembly	WOR-002-01	1
3	UC3 - 378.5x88x38 - WOR	WOR-003-01	1

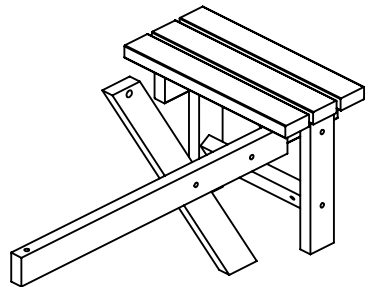
# Step 4

Bolt step 1, 2 & 3 assemblies together using 90mm & 130mm bolts.

STEP 1 & 2



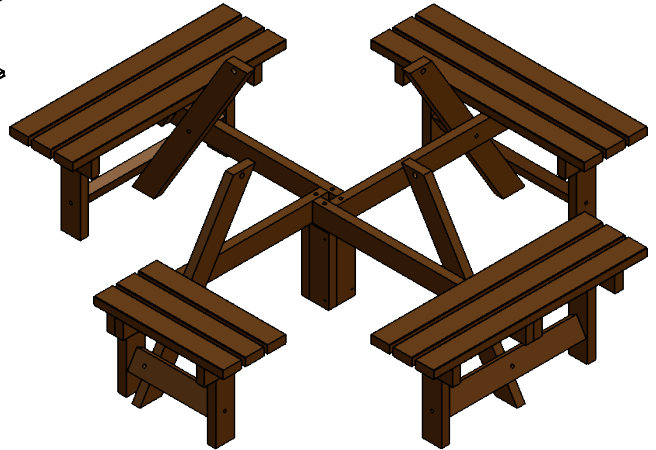
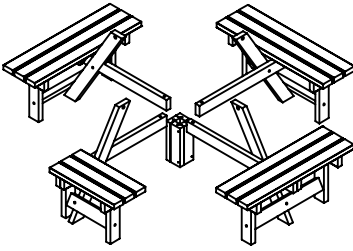
STEP 1 & 3



**NOTE:** Gap is now filled

## Step 5

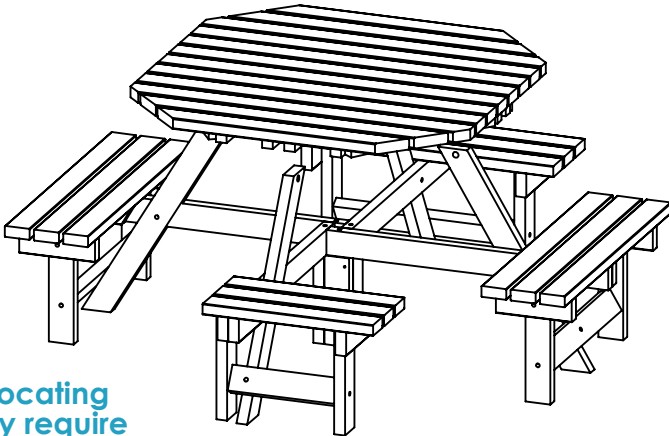
Secure seat assemblies to the block using m10x130 bolts.



---

## Step 6

Bolt the table top to the 4 legs centrally.



**NOTE:** When locating bolts legs may require adjustment

**Finally Tighten all bolts fully before use.**

**Notes:**

# THANK YOU FOR PURCHASING THIS PRODUCT

## CONTACT DETAILS:

Email : [sales@recycledfurniture.co.uk](mailto:sales@recycledfurniture.co.uk)

Web : [www.recycledfurniture.co.uk](http://www.recycledfurniture.co.uk)

Tel : 0800 1777 052

NBB Recycled Furniture, Unit 5, 145 Sterte Road, Poole, Dorset BH15 2AF

<b>All Parts and Fixings checked by:</b>	
Print Name:	Signature