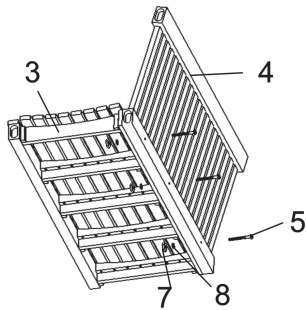


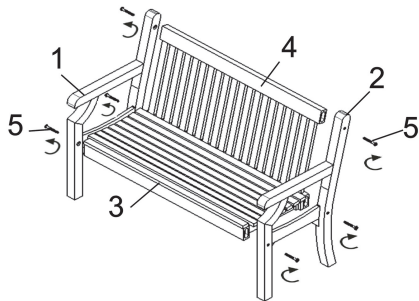
Assembly Instructions:

STEP 1: Check you have the all of the parts according to the part list

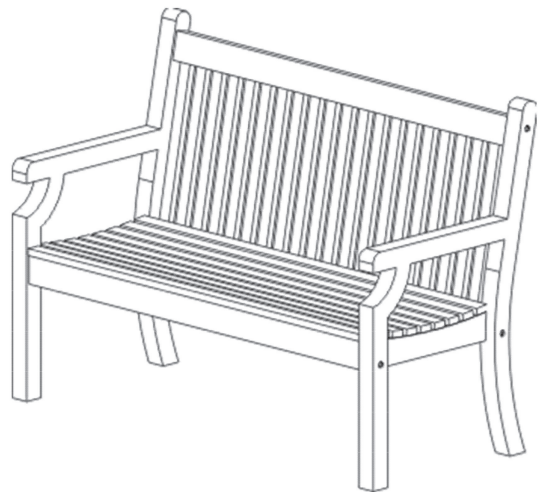
STEP 2: Assemble bench seat (3) with the backrest (4) Tighten with bolts (5) safety nut (6) and washer (7) as image below shows



STEP 3: Assemble the backrest (4) and bench seat (3) with the left arm (1) and the right arm (2) Then tighten with bolts (5) as the image below shows



STEP 4: Check bench is stable and secure after all the bolts have been tightened



Maintenance

Winawood products are designed and manufactured with quality materials and workmanship. With proper use and maintenance they will provide years of use.

After assembly and when in use if you discover any of the following:

- Any bolts that become loose or bent
- Worn out washers
- Worn or bent arm, bench seat or back rest
- The item begins to shake or swing

Stop use immediately and contact your local dealer

Winawood products are easy to maintain and can be cleaned with water.
Do not use any cleaning liquid that contains benzene