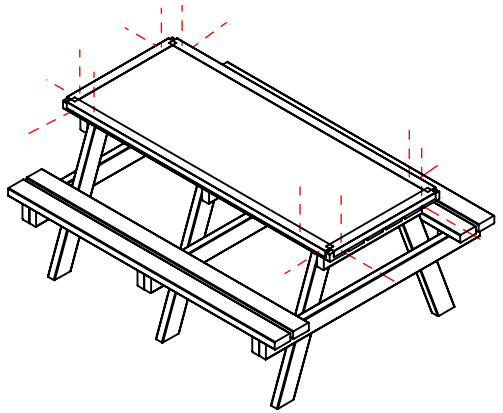
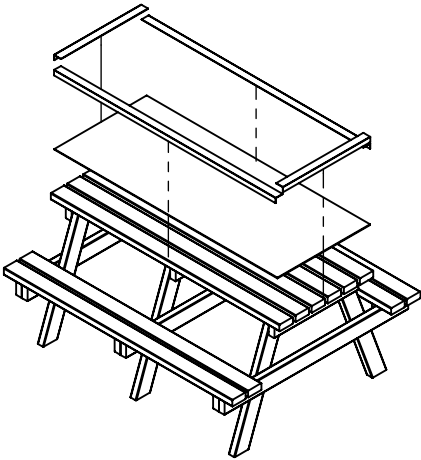


Activity Top Attachment Assembly Guide

Step 1 - Align the activity top centrally on the tabletop. Drill and screw the plastic angle through the activity top and into the side of table.



Step 2 - Attach the corner caps by drilling and screwing through into the sides of the tabletop.

