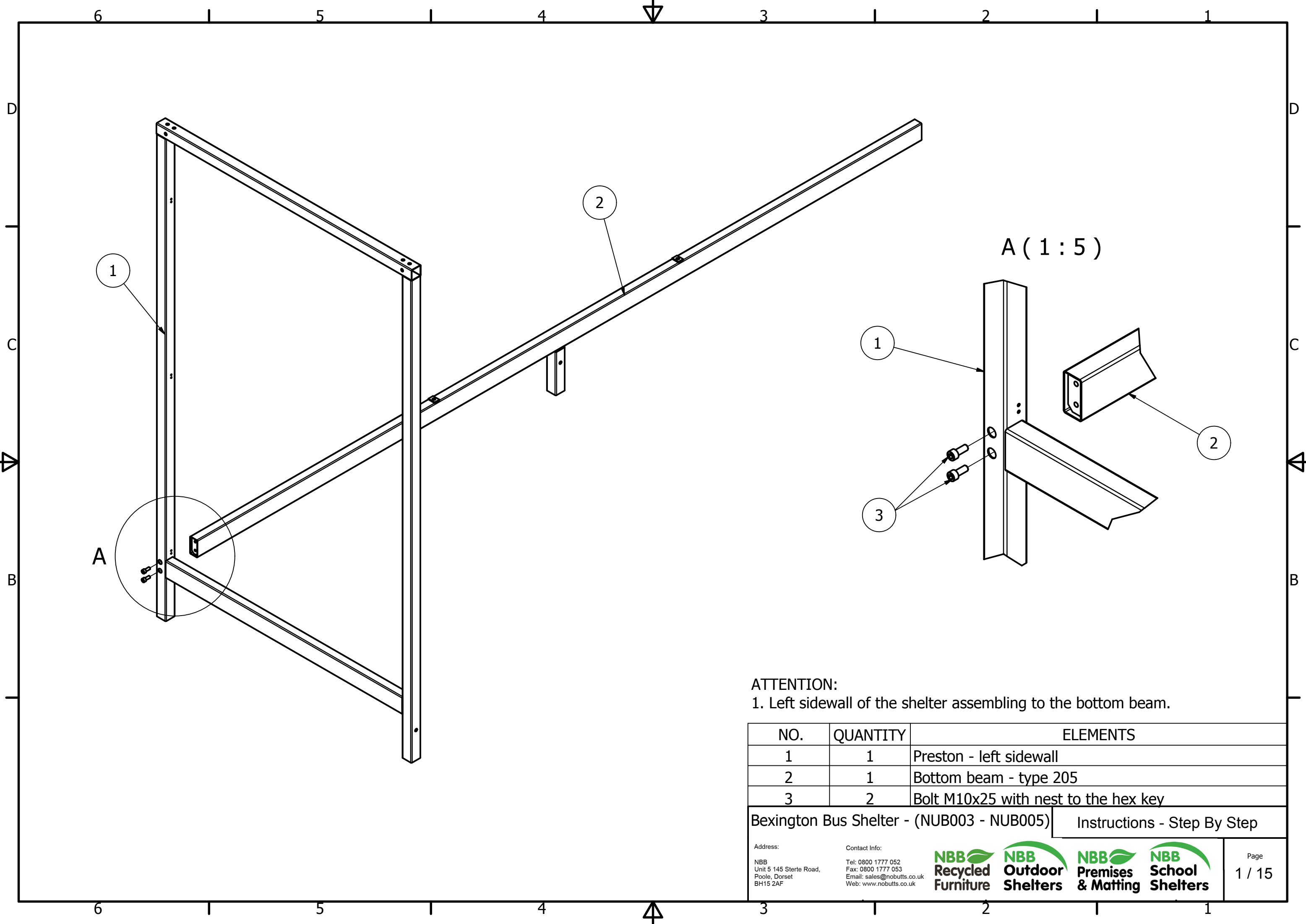


# Assembly Instructions



**Shelter Type:** NUB003-NUB005

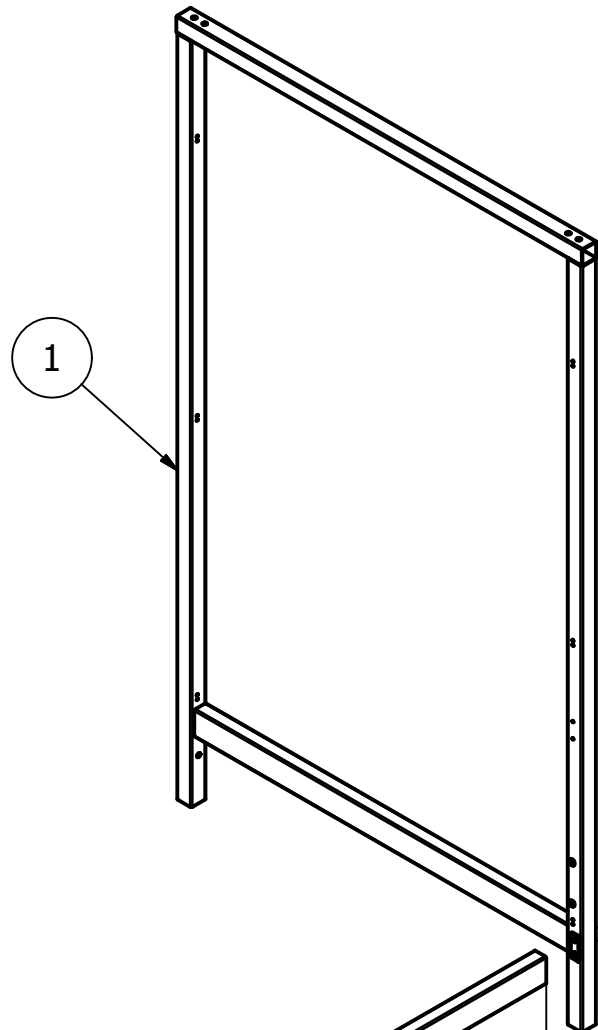
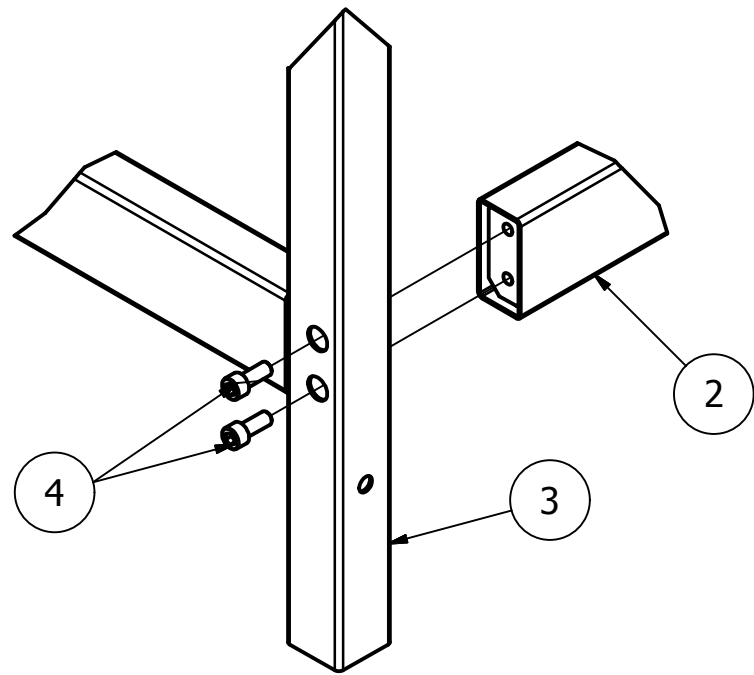
NUB004-01-211215-UK



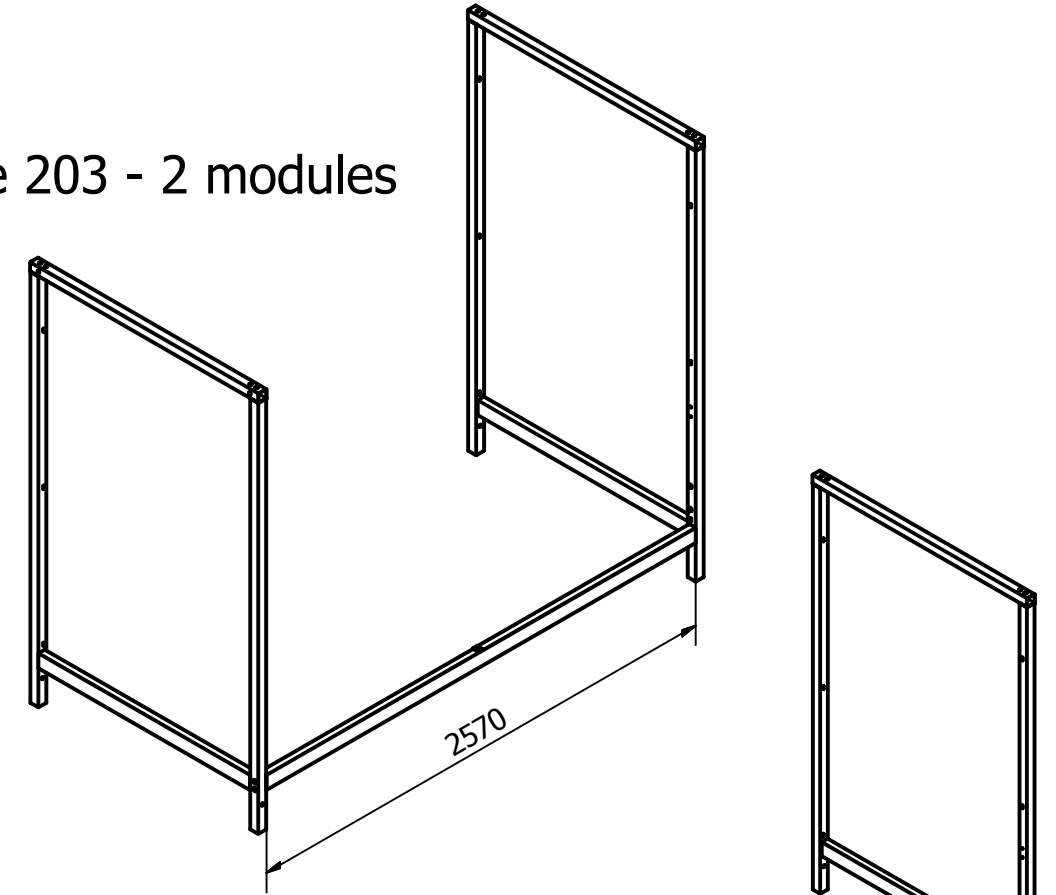
**ATTENTION:**  
 1. Left sidewall of the shelter assembling to the bottom beam.

NO.	QUANTITY	ELEMENTS
1	1	Preston - left sidewall
2	1	Bottom beam - type 205
3	2	Bolt M10x25 with nest to the hex key

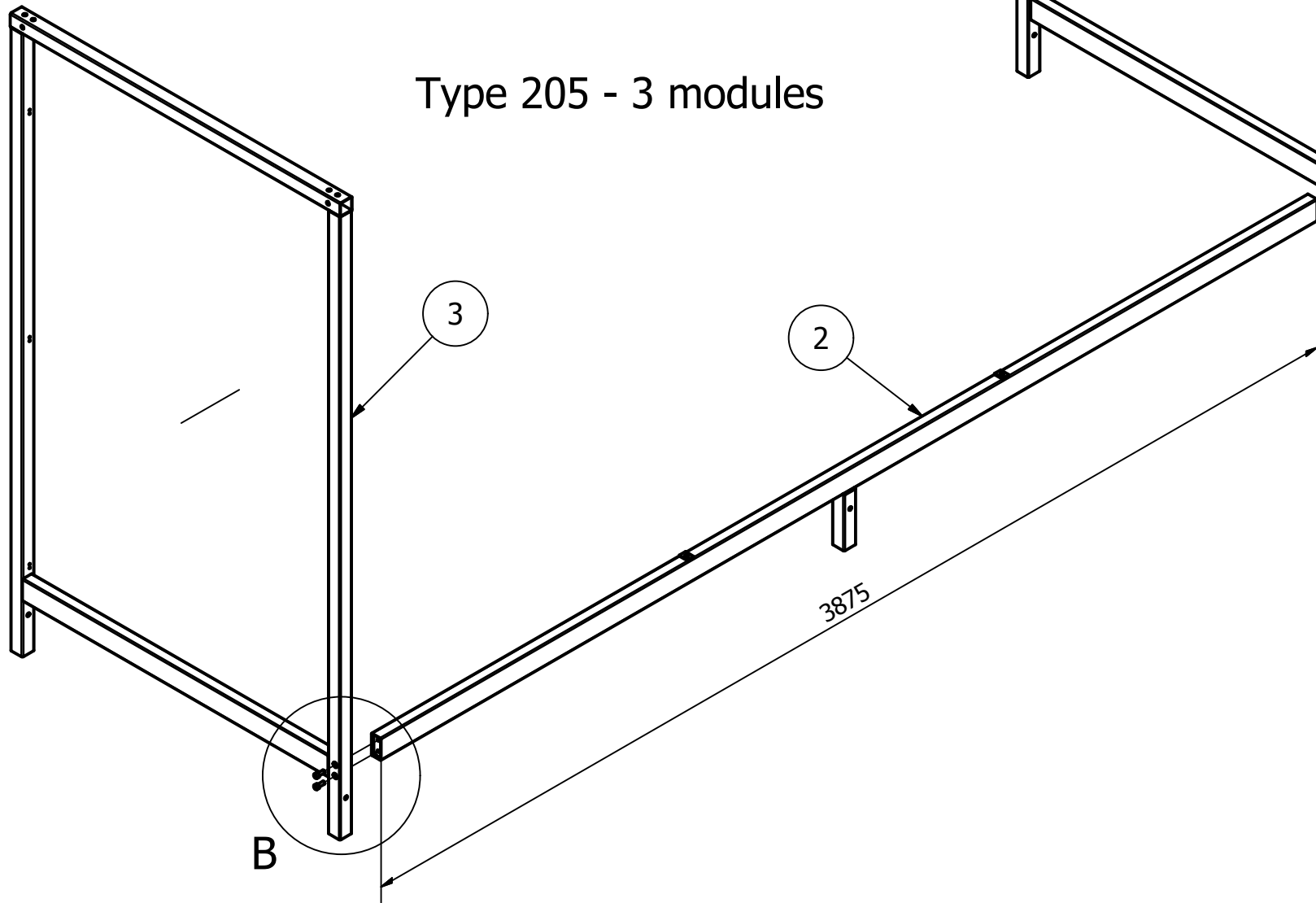
B (1 : 5)



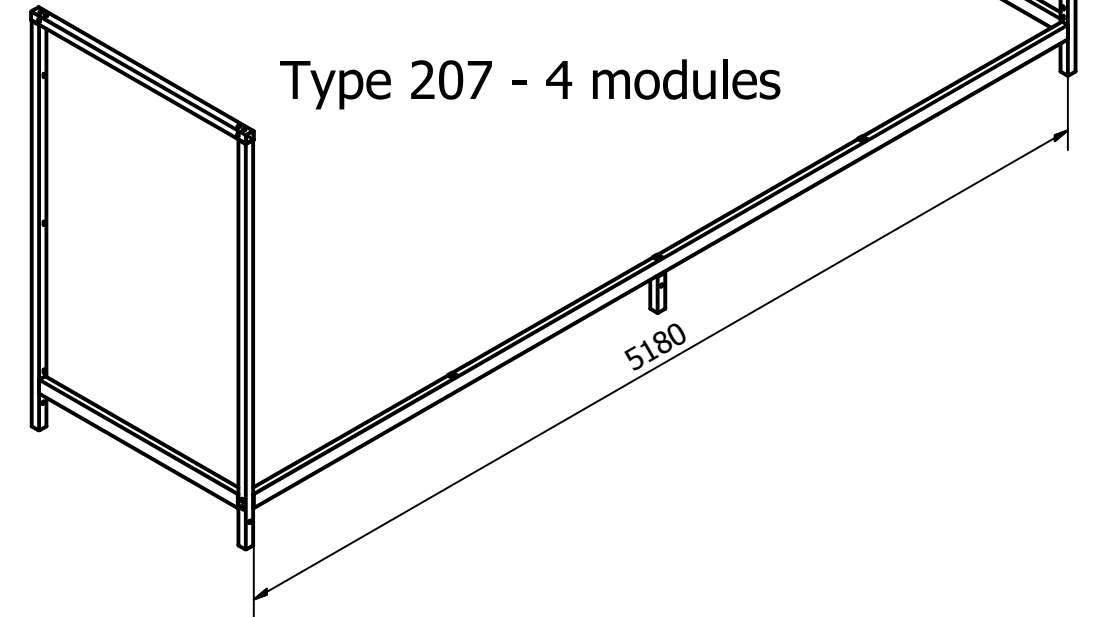
Type 203 - 2 modules



Type 205 - 3 modules



Type 207 - 4 modules



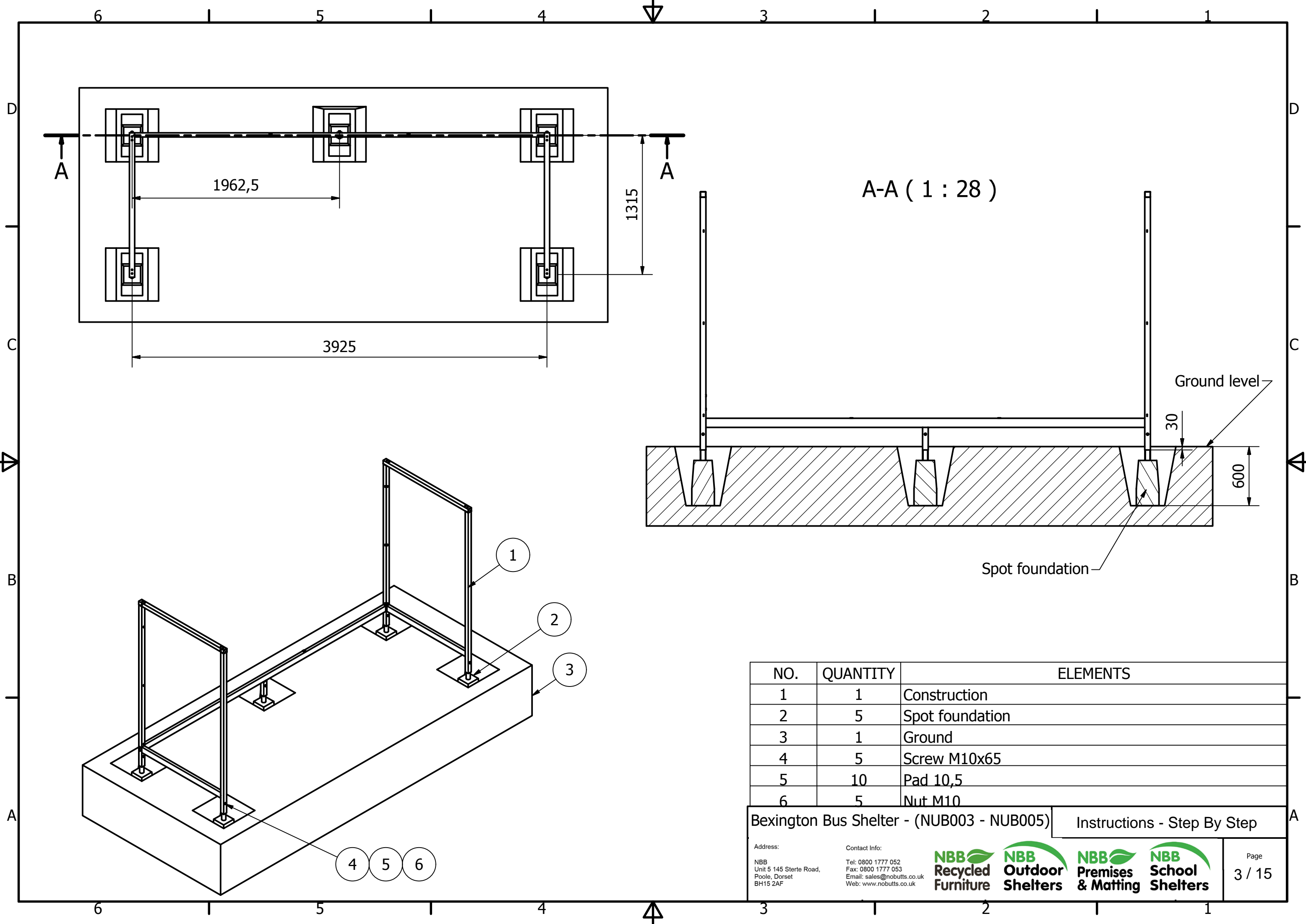
NO.	QUANTITY	ELEMENTS
1	1	Preston - left sidewall
2	1	Bottom beam - typ 205
3	1	Preston - right sidewall
4	4	Bolt M10x25 with nest to hex key

Bexington Bus Shelter - (NUB003 - NUB005) Instructions - Step By Step

Address:  
NBB  
Unit 5 145 Sterte Road,  
Poole, Dorset  
BH15 2AF

Contact Info:  
Tel: 0800 1777 052  
Fax: 0800 1777 053  
Email: sales@nobutts.co.uk  
Web: www.nobutts.co.uk





A-A ( 1 : 28 )

Ground level  
30  
600  
Spot foundation

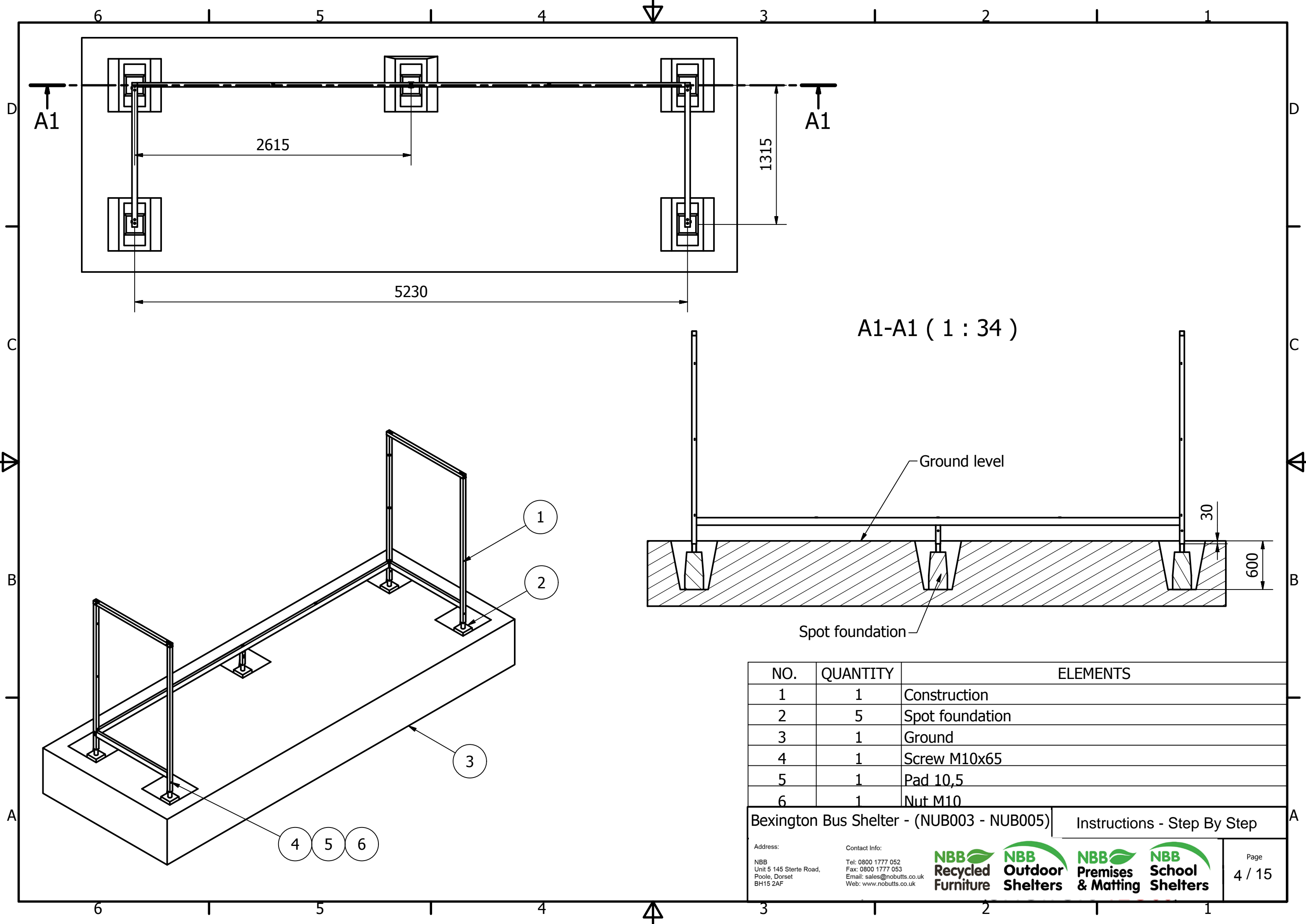
NO.	QUANTITY	ELEMENTS
1	1	Construction
2	5	Spot foundation
3	1	Ground
4	5	Screw M10x65
5	10	Pad 10,5
6	5	Nut M10

Bexington Bus Shelter - (NUB003 - NUB005) Instructions - Step By Step

Address:  
NBB  
Unit 5 145 Sterte Road,  
Poole, Dorset  
BH15 2AF

Contact Info:  
Tel: 0800 1777 052  
Fax: 0800 1777 053  
Email: sales@nobutts.co.uk  
Web: www.nobutts.co.uk





A1-A1 ( 1 : 34 )

NO.	QUANTITY	ELEMENTS
1	1	Construction
2	5	Spot foundation
3	1	Ground
4	1	Screw M10x65
5	1	Pad 10,5
6	1	Nut M10

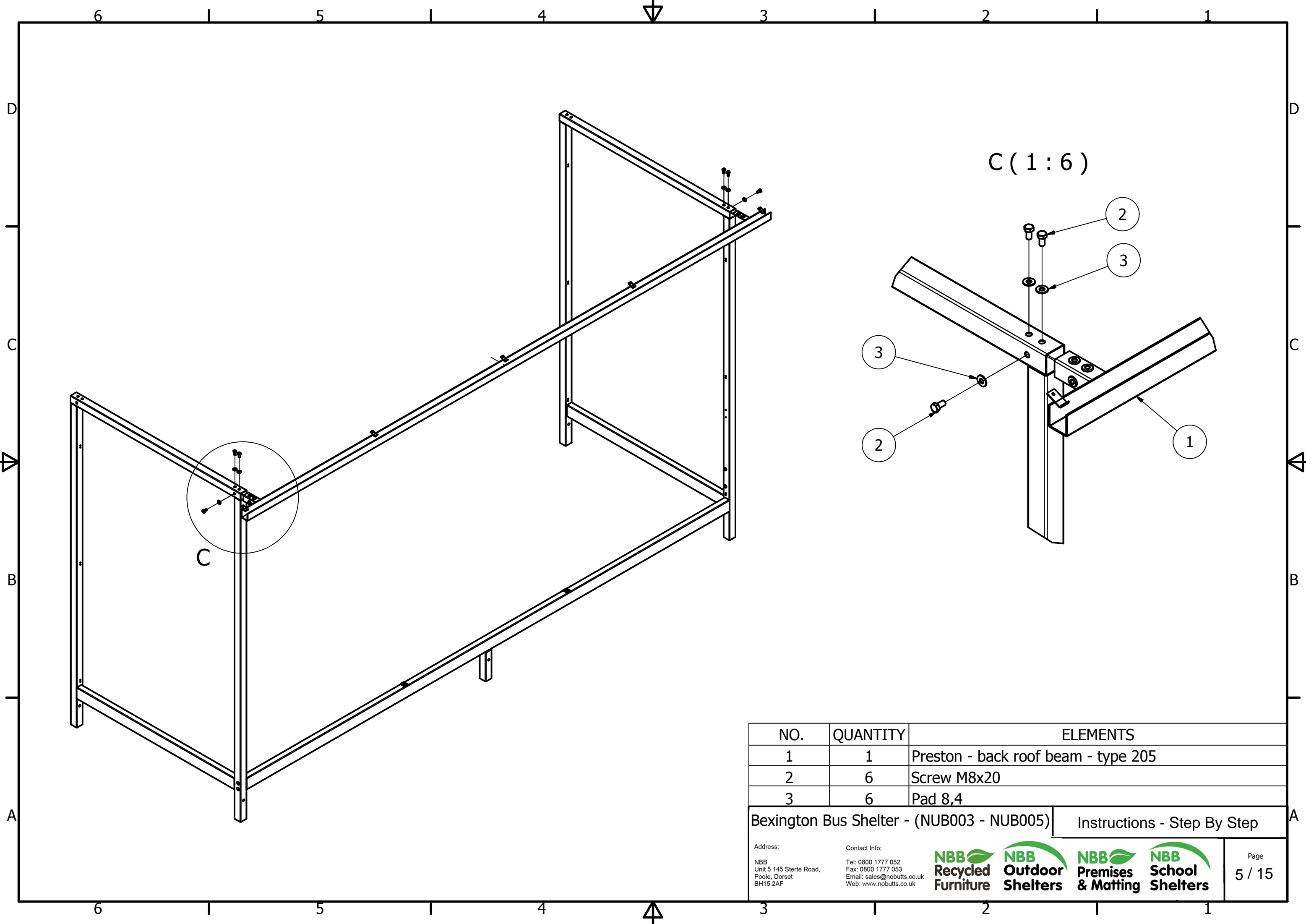
Bexington Bus Shelter - (NUB003 - NUB005)      Instructions - Step By Step

Address:      Contact Info:

NBB      Tel: 0800 1777 052  
 Unit 5 145 Sterte Road,      Fax: 0800 1777 053  
 Poole, Dorset      Email: sales@nobutts.co.uk  
 BH15 2AF      Web: www.nobutts.co.uk

**NBB Recycled Furniture**      **NBB Outdoor Shelters**      **NBB Premises & Matting**      **NBB School Shelters**

Page 4 / 15



NO.	QUANTITY	ELEMENTS
1	1	Preston - back roof beam - type 205
2	6	Screw M8x20
3	6	Pad 8,4

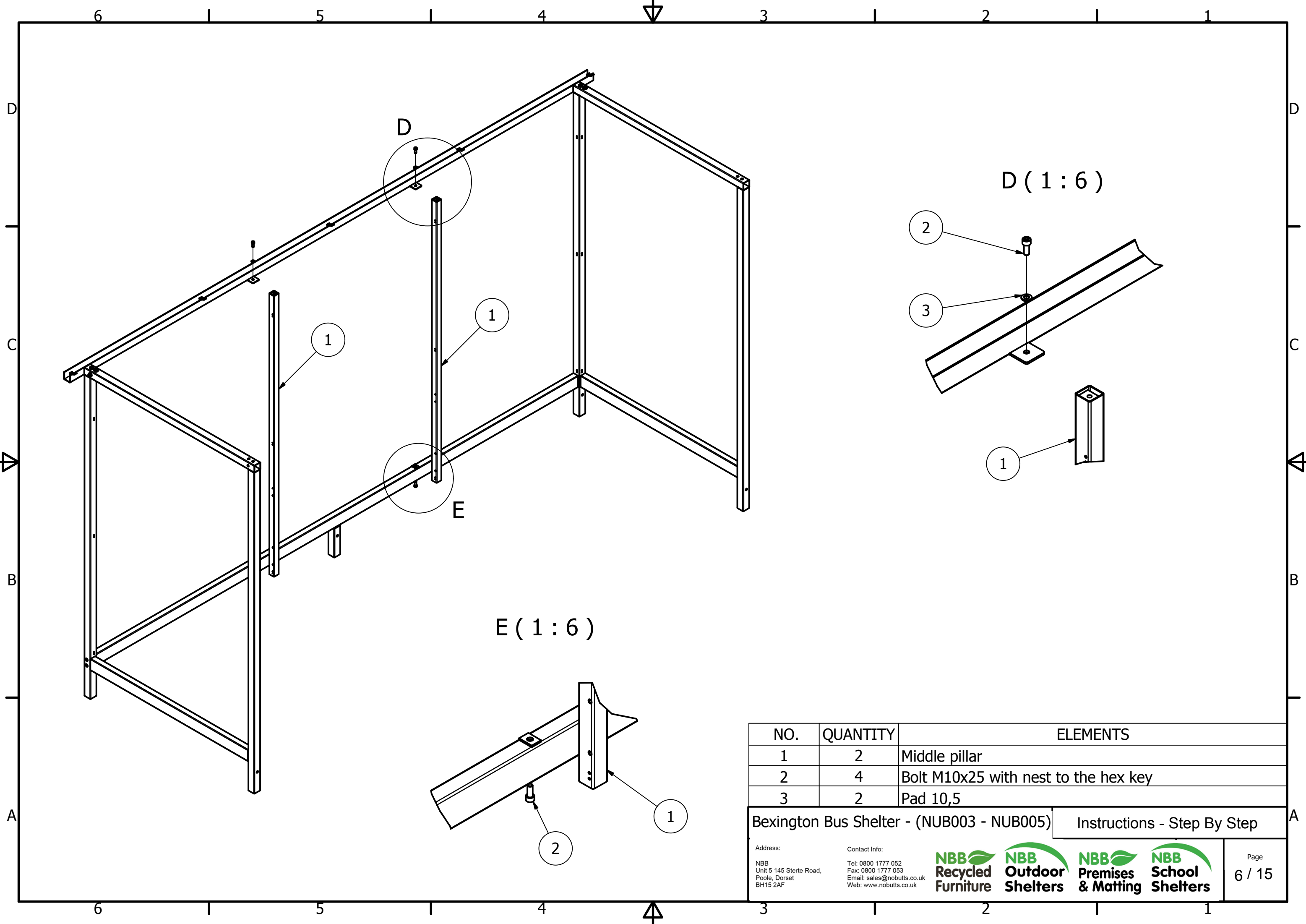
Bexington Bus Shelter - (NUB003 - NUB005) Instructions - Step By Step

Address:  
 NBB  
 Unit 5 145 Sterte Road,  
 Poole, Dorset  
 BH15 2AF

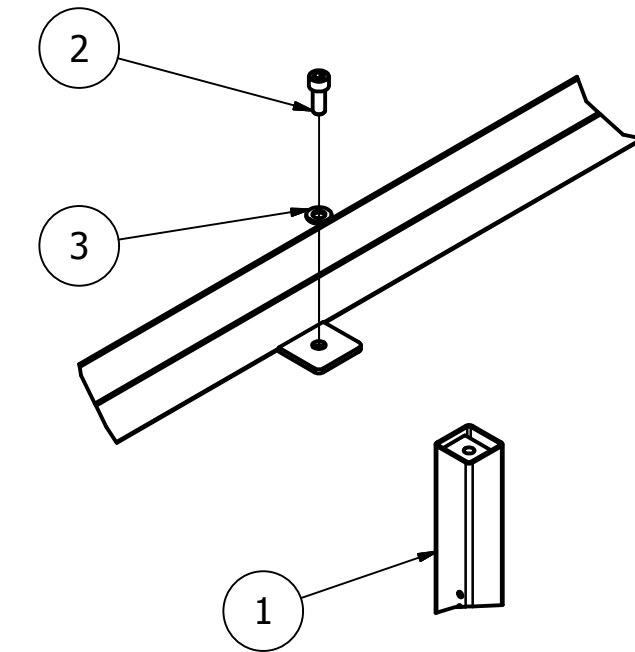
Contact Info:  
 Tel: 0800 1777 052  
 Fax: 0800 1777 053  
 Email: sales@nobutts.co.uk  
 Web: www.nobutts.co.uk



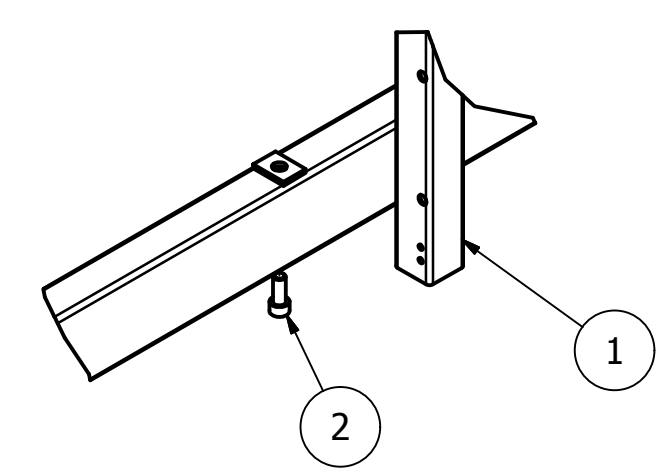




D (1 : 6)

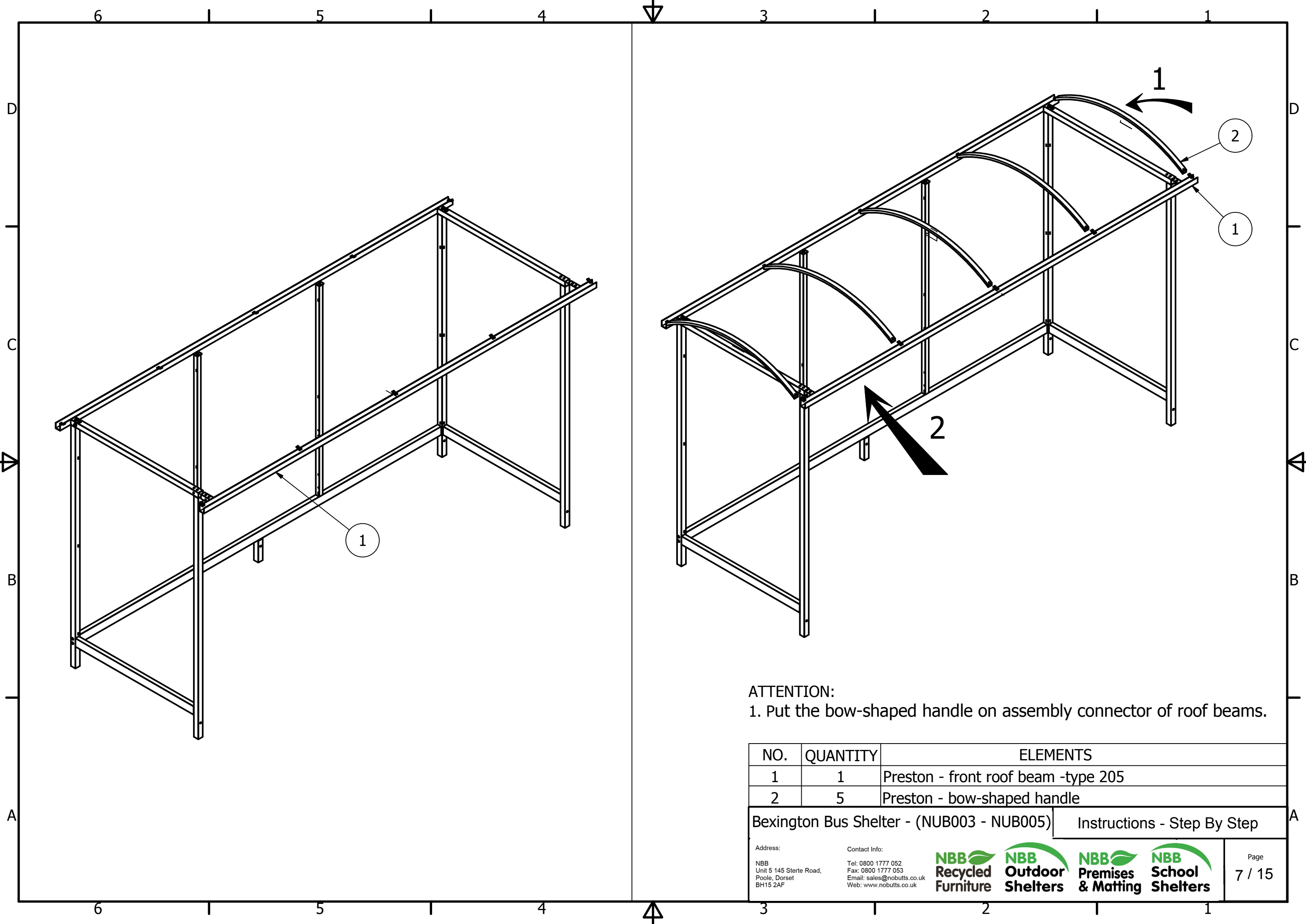


E (1 : 6)




NO.	QUANTITY	ELEMENTS
1	2	Middle pillar
2	4	Bolt M10x25 with nest to the hex key
3	2	Pad 10,5

Bexington Bus Shelter - (NUB003 - NUB005) Instructions - Step By Step



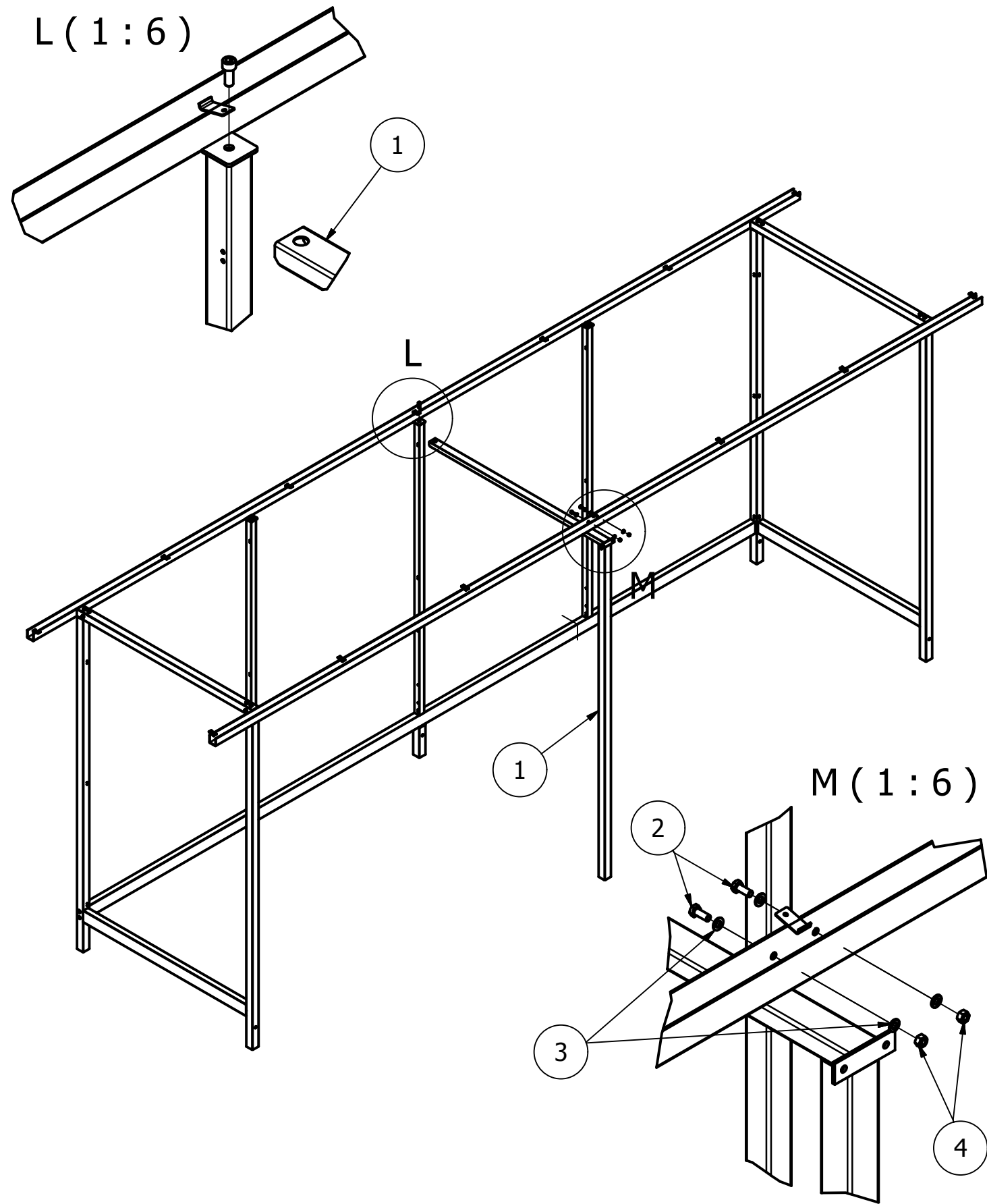
ATTENTION:  
 1. Put the bow-shaped handle on assembly connector of roof beams.

NO.	QUANTITY	ELEMENTS
1	1	Preston - front roof beam -type 205
2	5	Preston - bow-shaped handle

Bexington Bus Shelter - (NUB003 - NUB005)		Instructions - Step By Step	
Address: NBB Unit 5 145 Sterte Road, Poole, Dorset BH15 2AF	Contact Info: Tel: 0800 1777 052 Fax: 0800 1777 053 Email: sales@nobutts.co.uk Web: www.nobutts.co.uk	   	Page 7 / 15



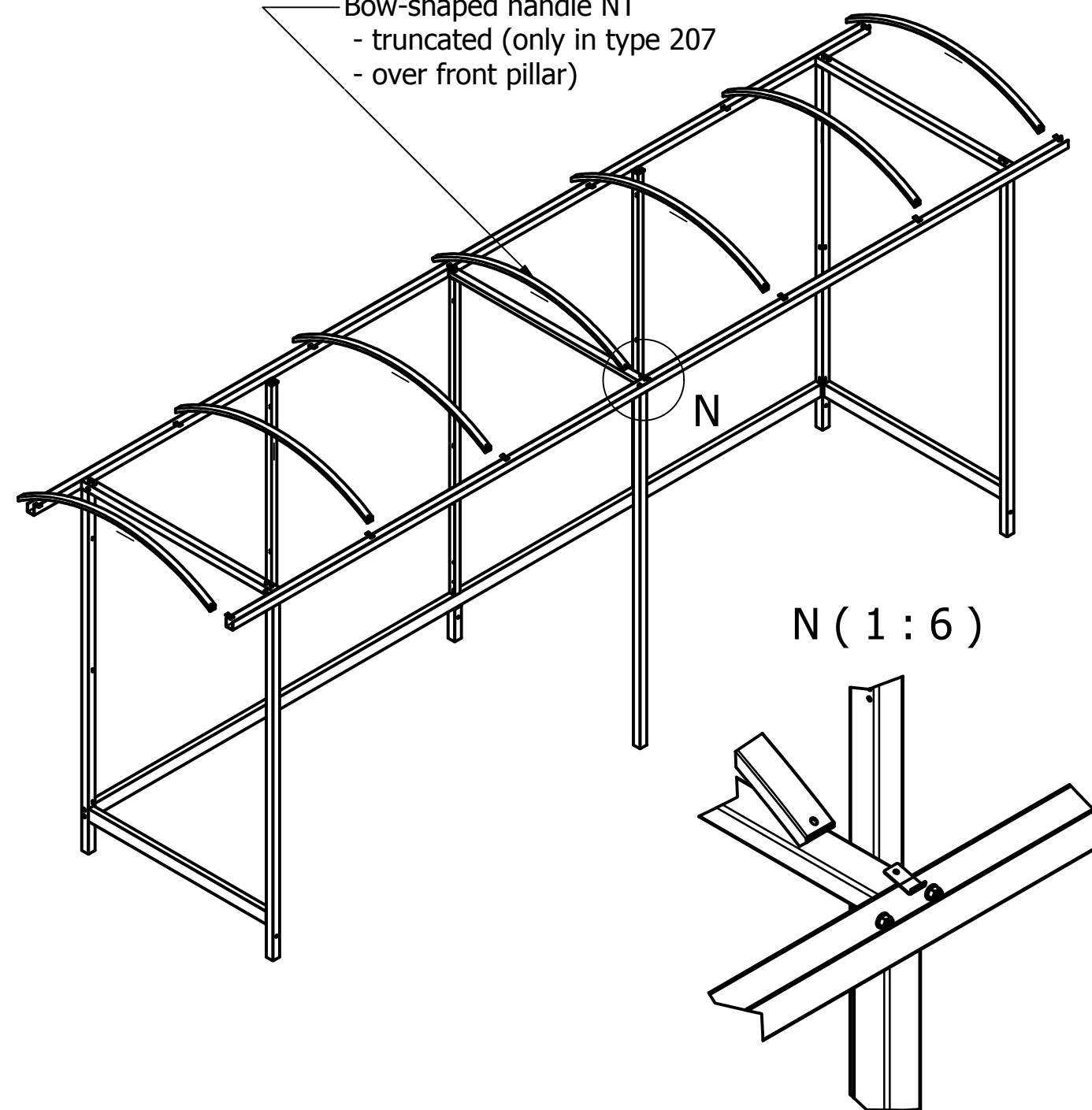
L (1:6)



M (1:6)

NUMBER	QUANTITY	ELEMENTS
1	1	Topaz - front pillar
2	2	Screw M8x20
3	4	Pad 8,4
4	2	Nut M8

Bow-shaped handle NT  
 - truncated (only in type 207  
 - over front pillar)

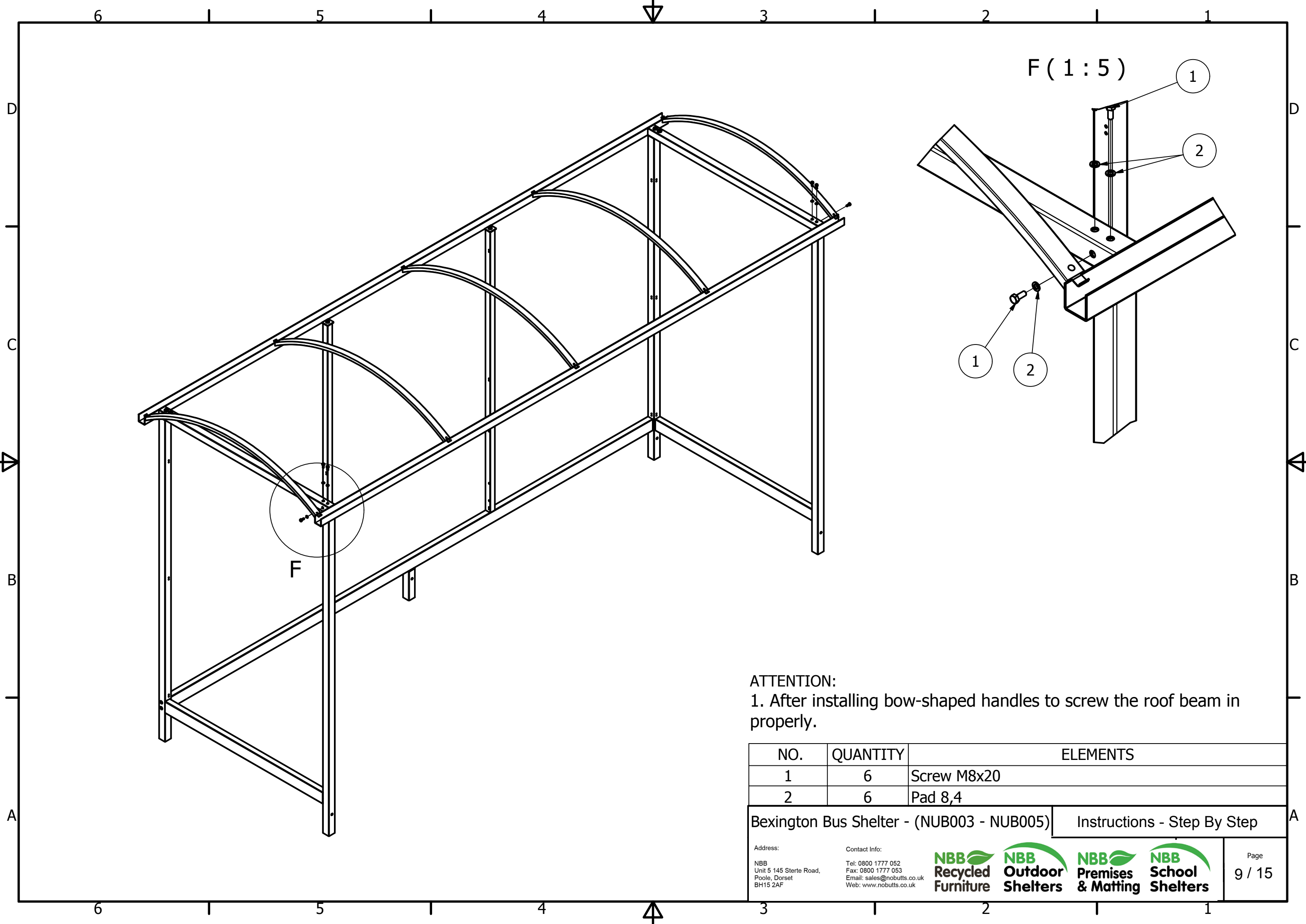


N (1:6)

**UWAGA:**

1. Front pillar assembly to back roof beam with the middle pillar (M10x25) - view L.
2. Assembly to front roof beam - M8x20 - view M.

Bexington Bus Shelter - (NUB003 - NUB005)		Instructions - Step By Step	
Address: NBB Unit 5 145 Sterte Road, Poole, Dorset BH15 2AF	Contact Info: Tel: 0800 1777 052 Fax: 0800 1777 053 Email: sales@nobutts.co.uk Web: www.nobutts.co.uk		Page 8 / 15

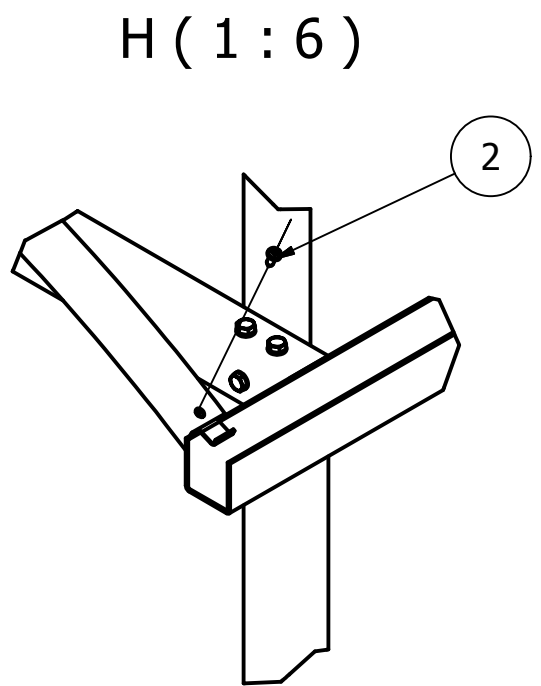
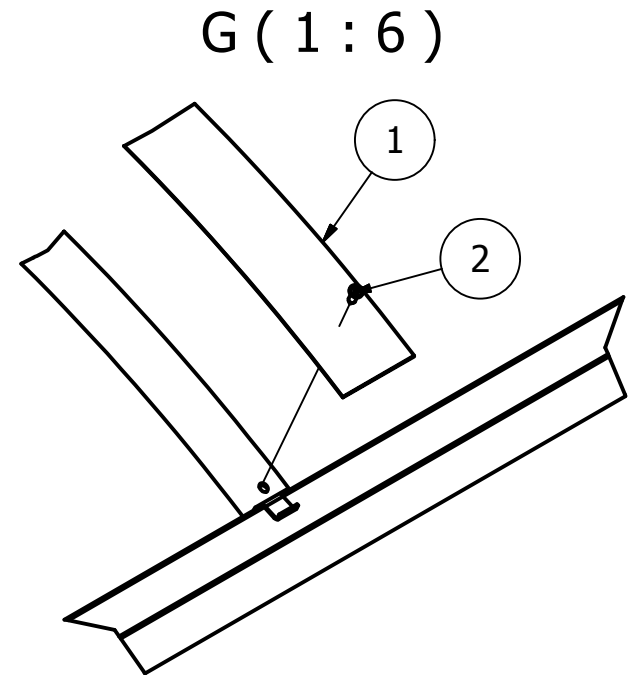
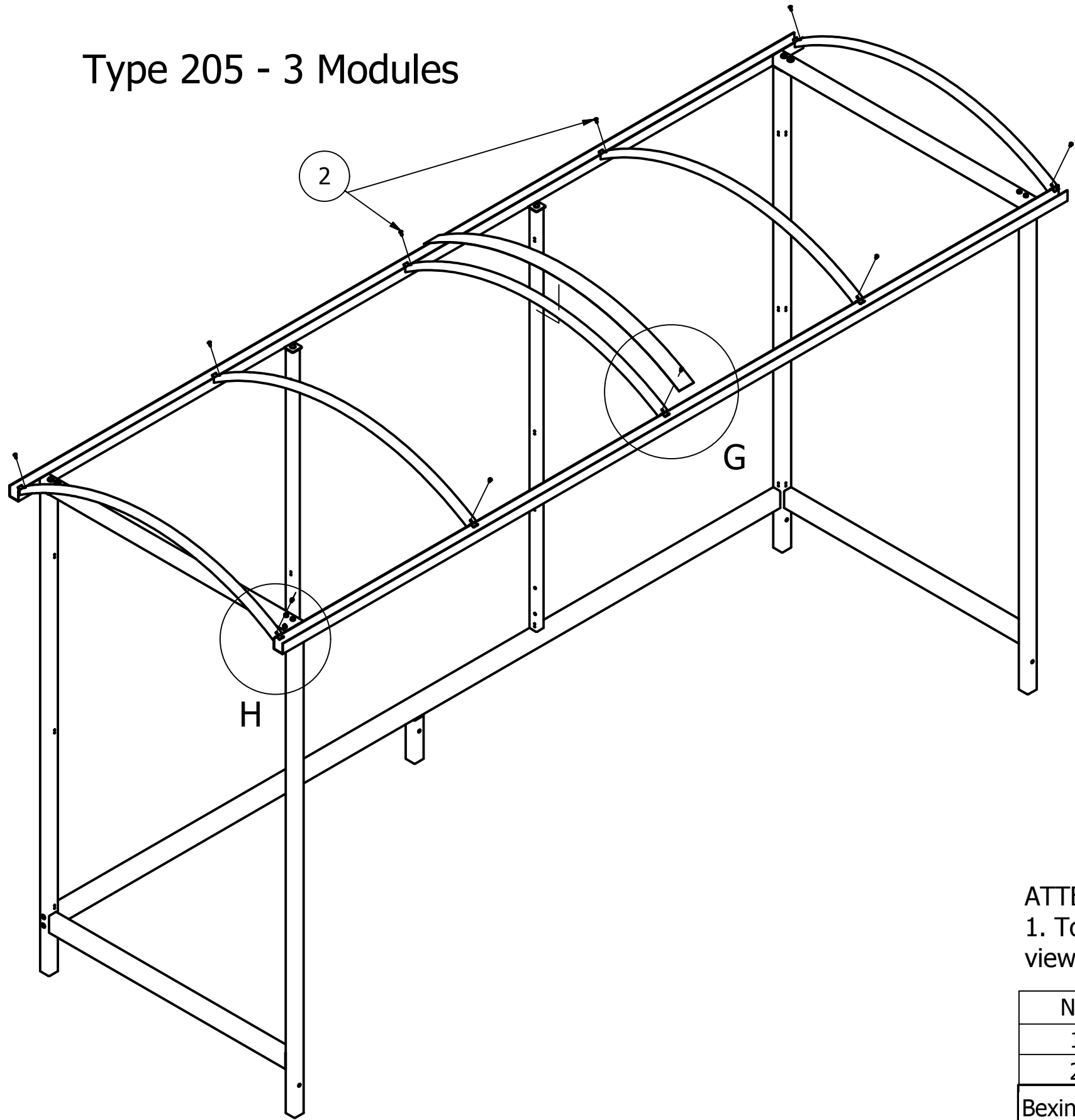


**ATTENTION:**  
 1. After installing bow-shaped handles to screw the roof beam in properly.

NO.	QUANTITY	ELEMENTS
1	6	Screw M8x20
2	6	Pad 8,4

Bexington Bus Shelter - (NUB003 - NUB005)		Instructions - Step By Step	
Address: NBB Unit 5 145 Sterte Road, Poole, Dorset BH15 2AF	Contact Info: Tel: 0800 1777 052 Fax: 0800 1777 053 Email: sales@nobutts.co.uk Web: www.nobutts.co.uk		Page 9 / 15

# Type 205 - 3 Modules



**ATTENTION:**  
 1. To screw the bow-shaped handle of the shelter with the belt#80 - view G.

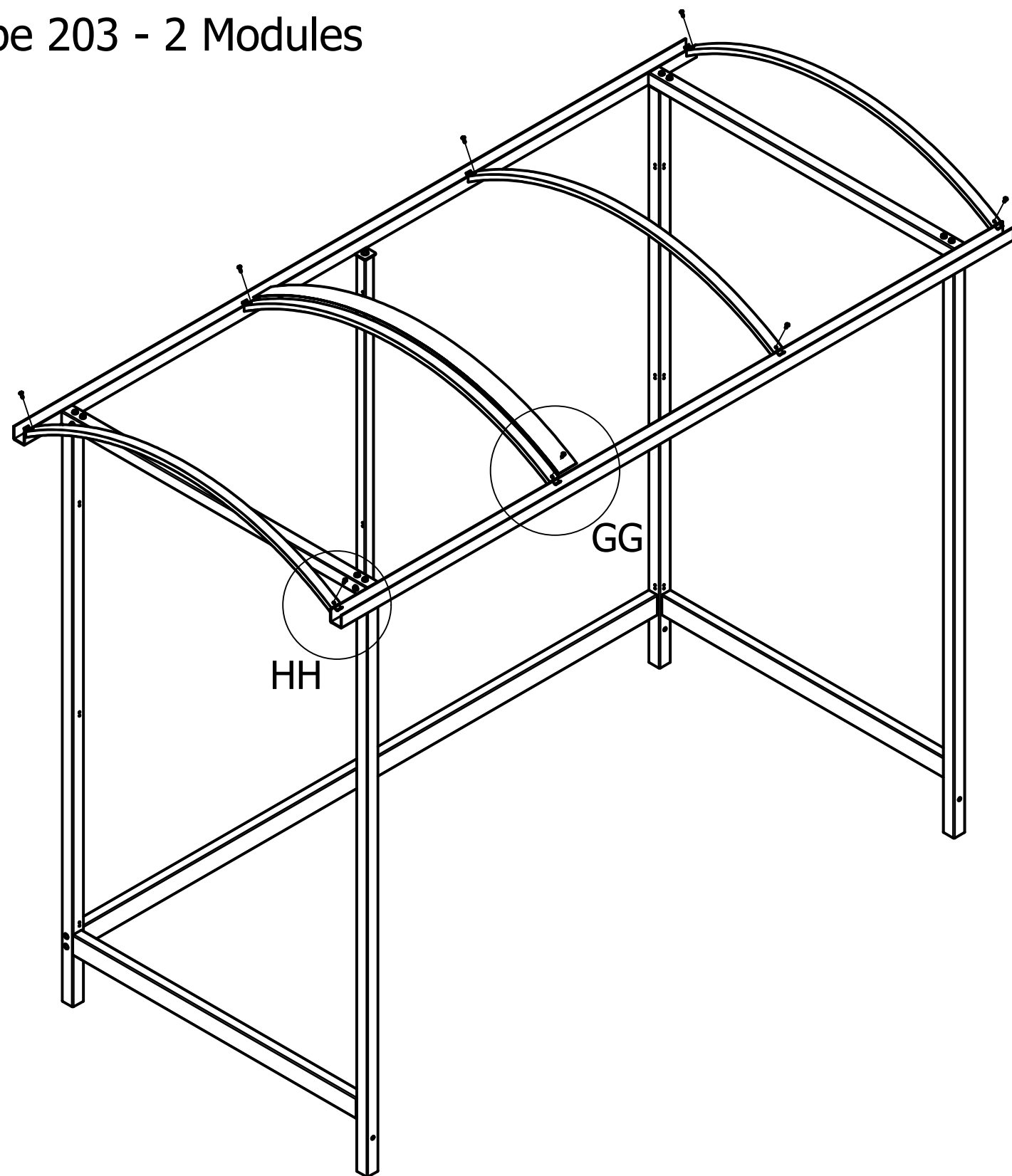
NO.	QUANTITY	ELEMENTS
1	1	Belt #80
2	10	Screw 5,5x16

Bexington Bus Shelter - (NUB003 - NUB005)      Instructions - Step By Step

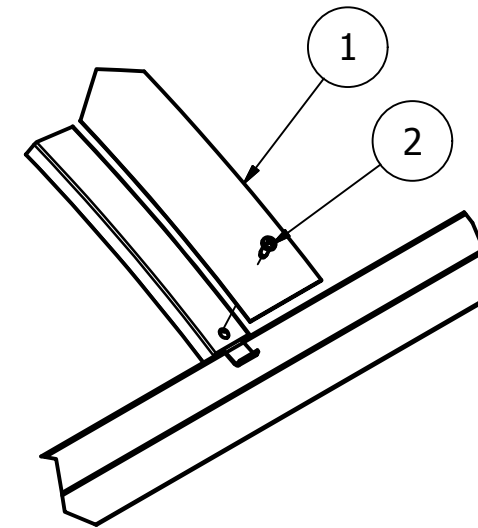
Address: NBB Unit 5 145 Sterte Road, Poole, Dorset BH15 2AF      Contact Info: Tel: 0800 1777 052 Fax: 0800 1777 053 Email: sales@nobutts.co.uk Web: www.nobutts.co.uk

Page 10 / 15

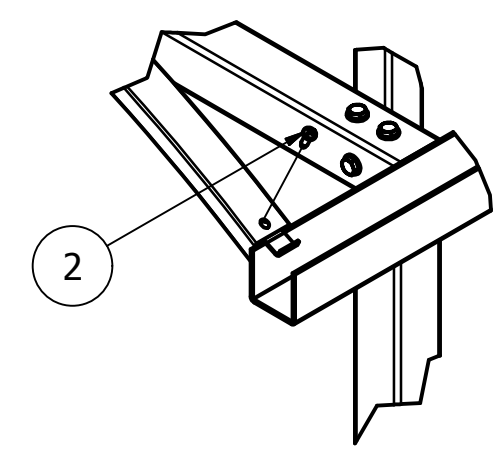
# Type 203 - 2 Modules



GG ( 1 : 6 )



HH ( 1:6 )

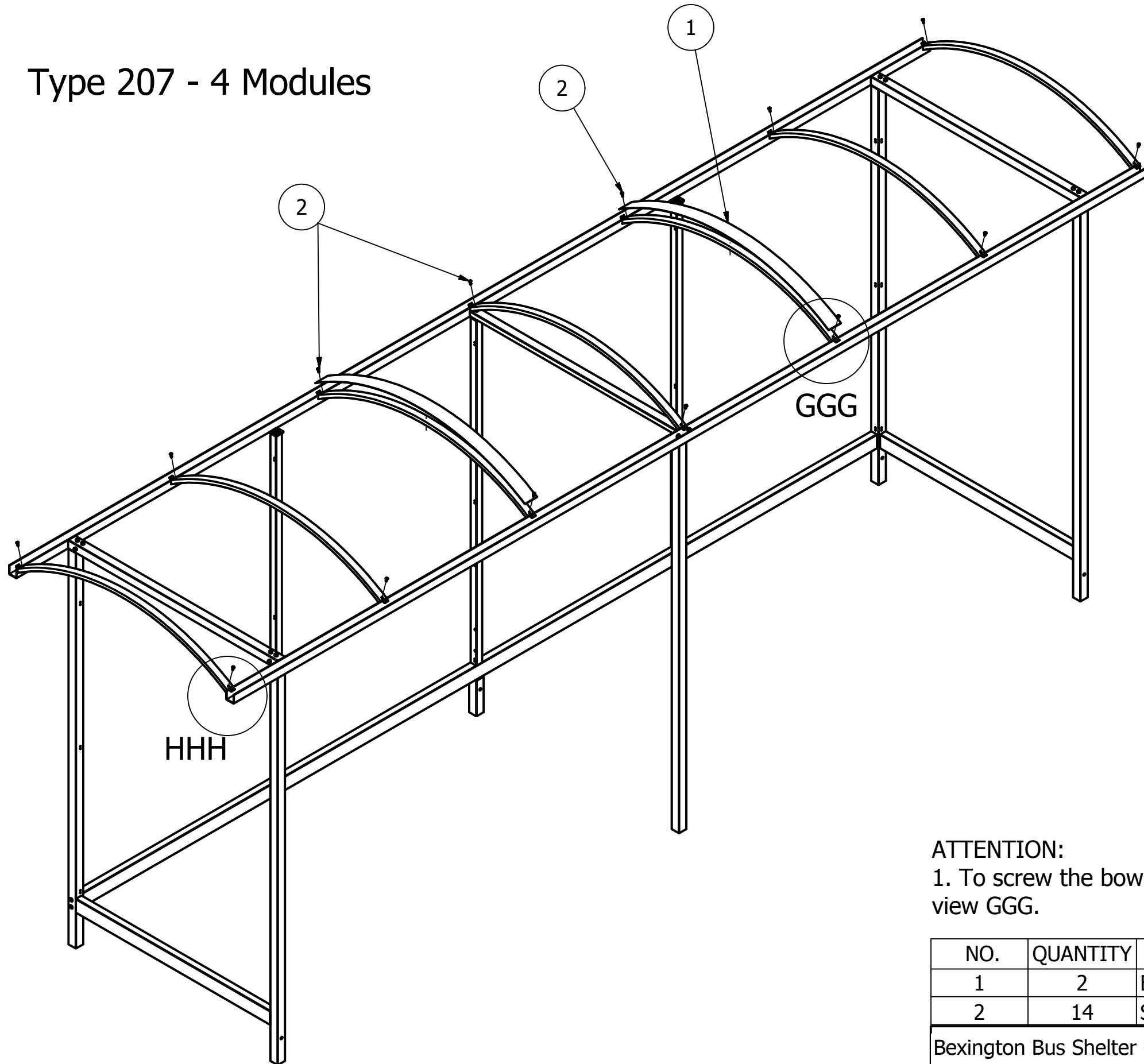


**ATTENTION:**

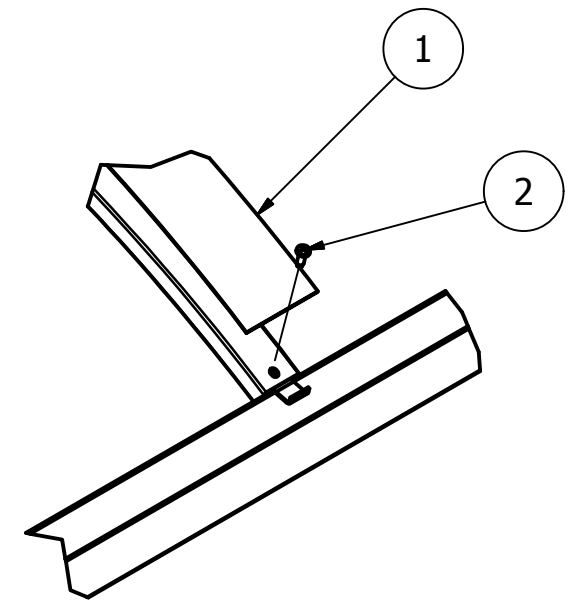
1. To screw the bow-shaped handle of the shelter with the belt#80 - view GG.

NO.	QUANTITY	ELEMENTS
1	1	Belt #80
2	8	Screw 5,5x16

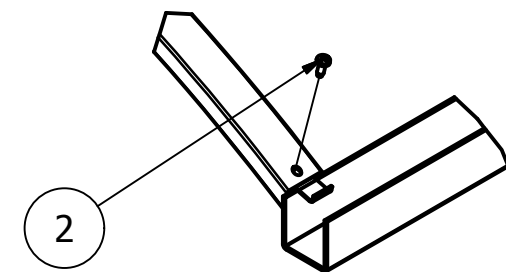
# Type 207 - 4 Modules



GGG ( 1:6 )



HHH ( 1:6 )



**ATTENTION:**

1. To screw the bow-shaped handle of the shelter with the belt#80 - view GGG.

NO.	QUANTITY	ELEMENTS
1	2	Belt #80
2	14	Screw 5.5x16

Bexington Bus Shelter - (NUB003 - NUB005) Instructions - Step By Step

Address:

NBB  
Unit 5 145 Sterte Road,  
Poole, Dorset  
BH15 2AF

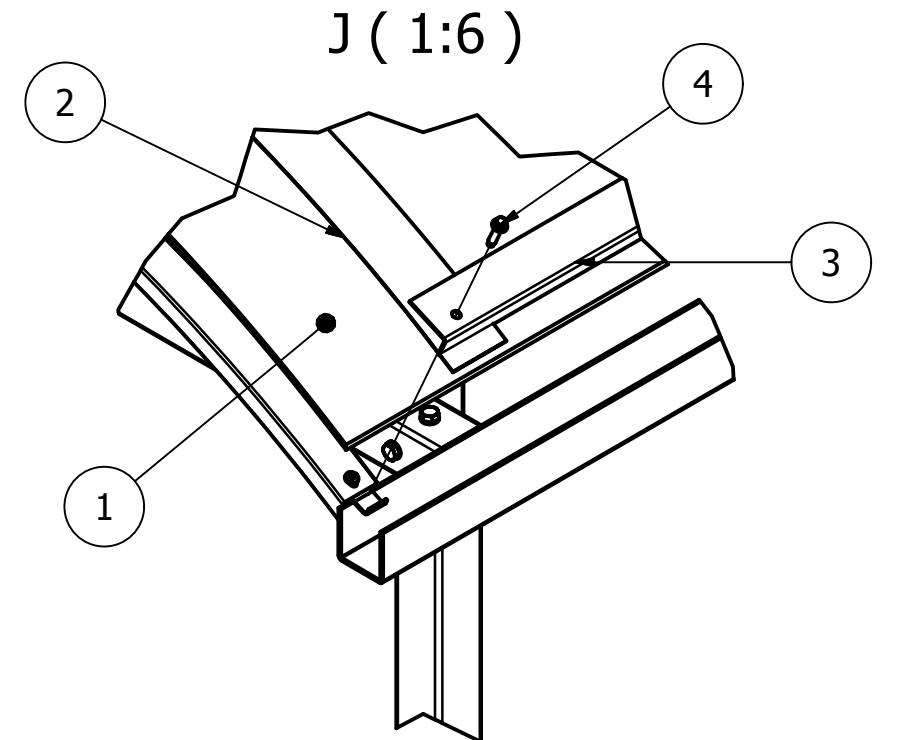
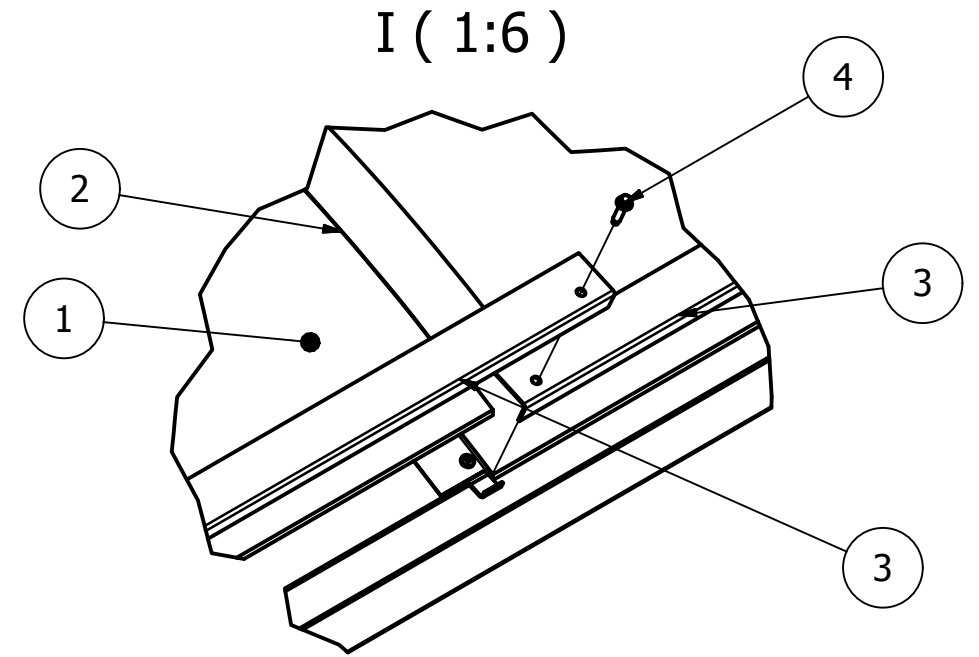
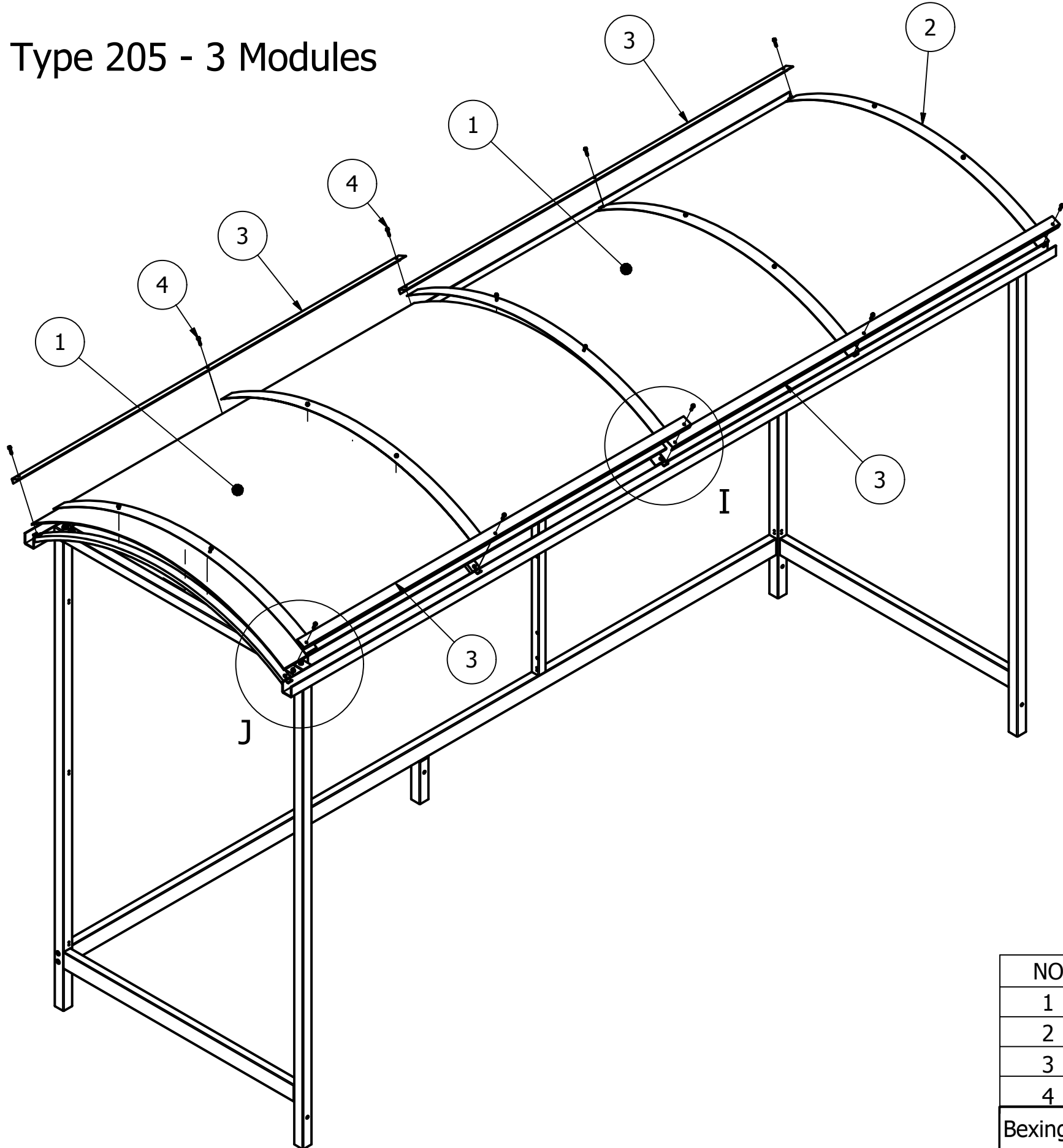
Contact Info:

Tel: 0800 1777 052  
Fax: 0800 1777 053  
Email: sales@nobutts.co.uk  
Web: www.nobutts.co.uk





# Type 205 - 3 Modules



NO.	QUANTITY	ELEMENTS
1	2	Polycarbonate 4,5x2100x1490
2	5	Belt #60
3	4	Try square of fixing polycarbonate 45x20x1,5 L=2125
4	20	Screw 6,3x25

Bexington Bus Shelter - (NUB003 - NUB005) Instructions - Step By Step

Address:

NBB  
Unit 5 145 Sterte Road,  
Poole, Dorset  
BH15 2AF

Contact Info:

Tel: 0800 1777 052  
Fax: 0800 1777 053  
Email: sales@nobutts.co.uk  
Web: www.nobutts.co.uk

**NBB**  
Recycled  
Furniture

**NBB**  
Outdoor  
Shelters

**NBB**  
Premises  
& Matting

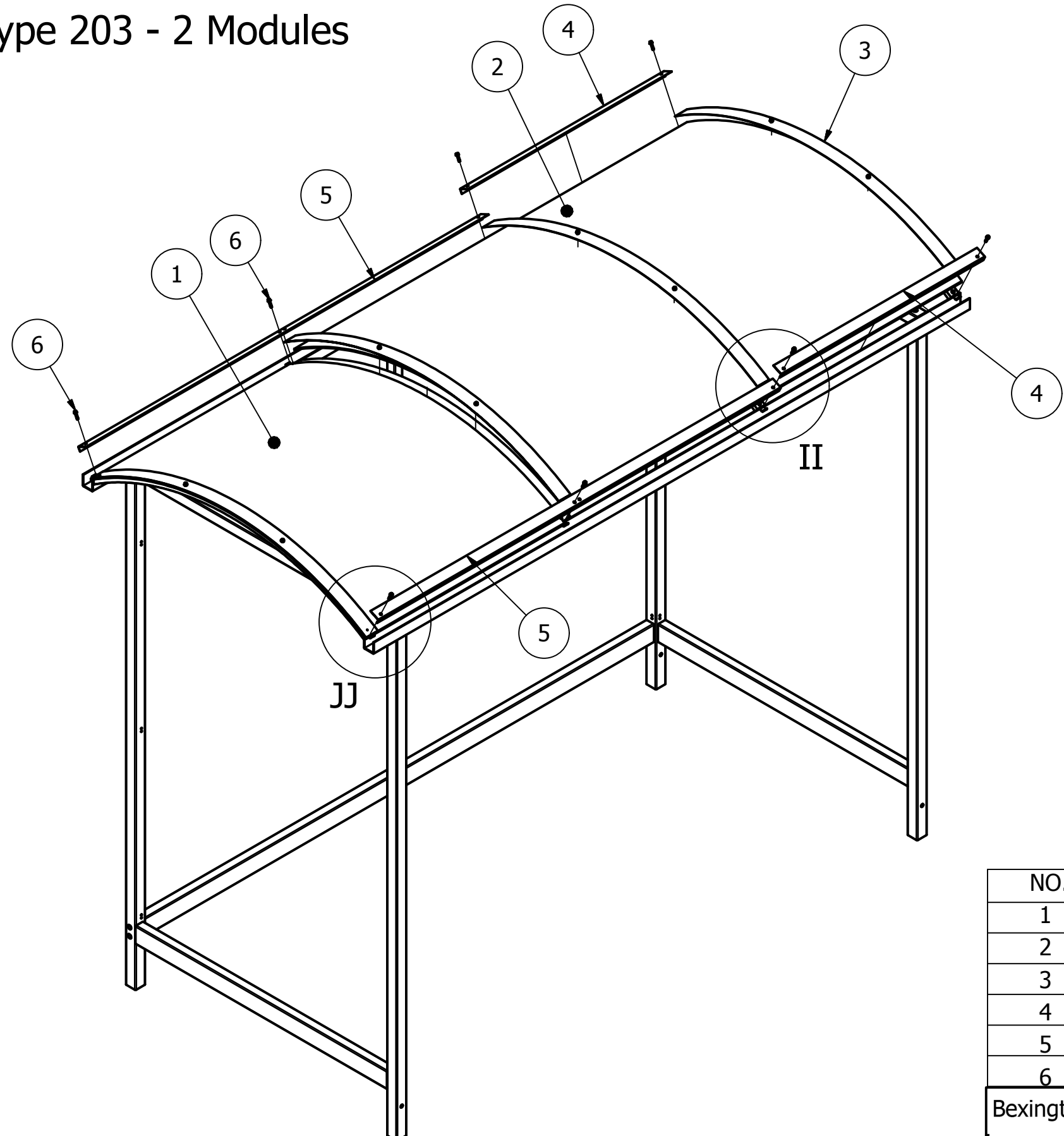
**NBB**  
School  
Shelters

Page

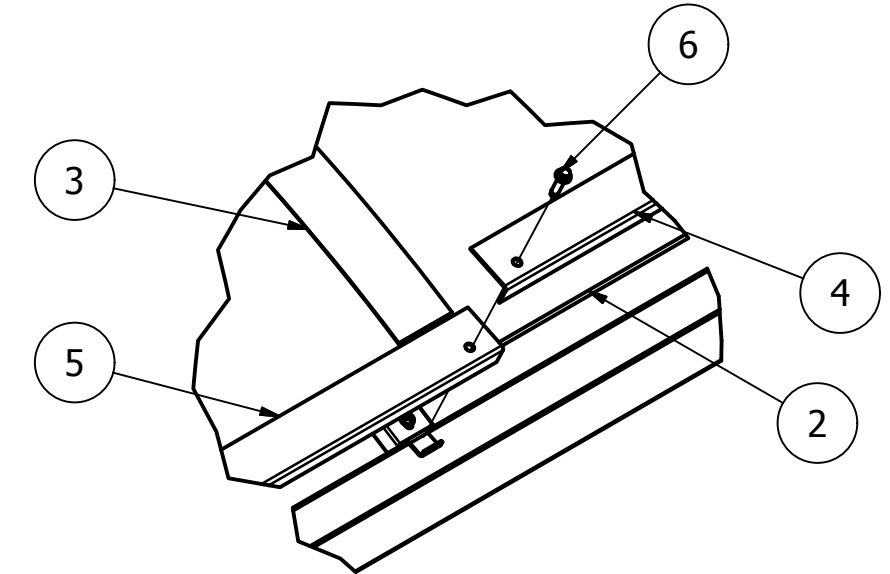
13 / 15



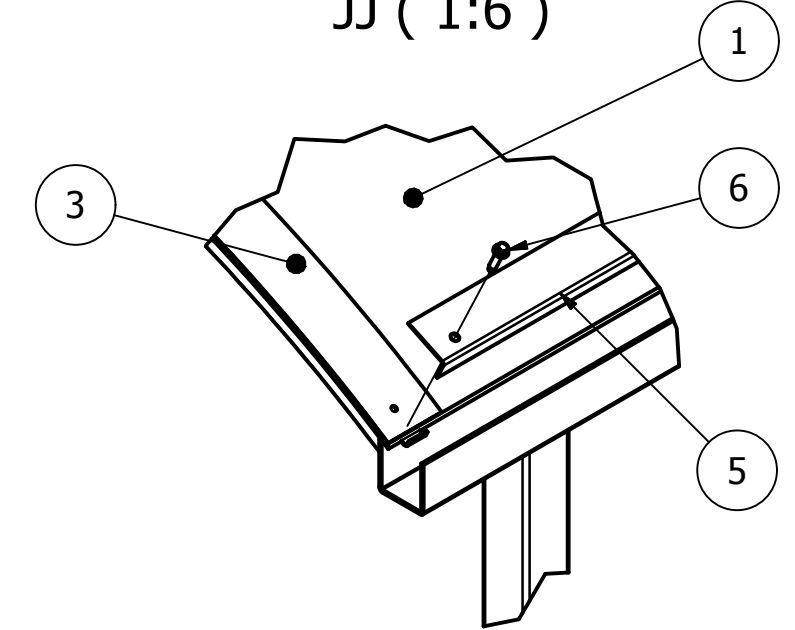
# Type 203 - 2 Modules



II ( 1:6 )

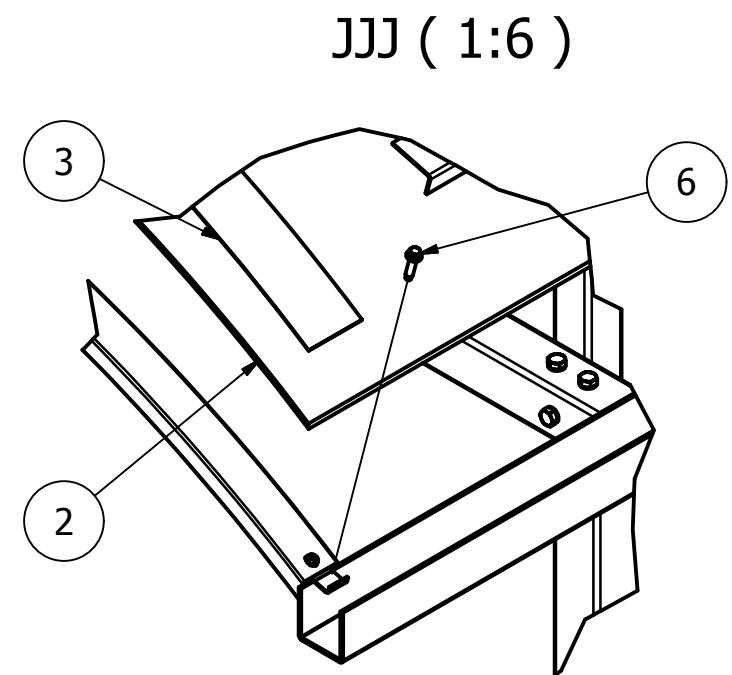
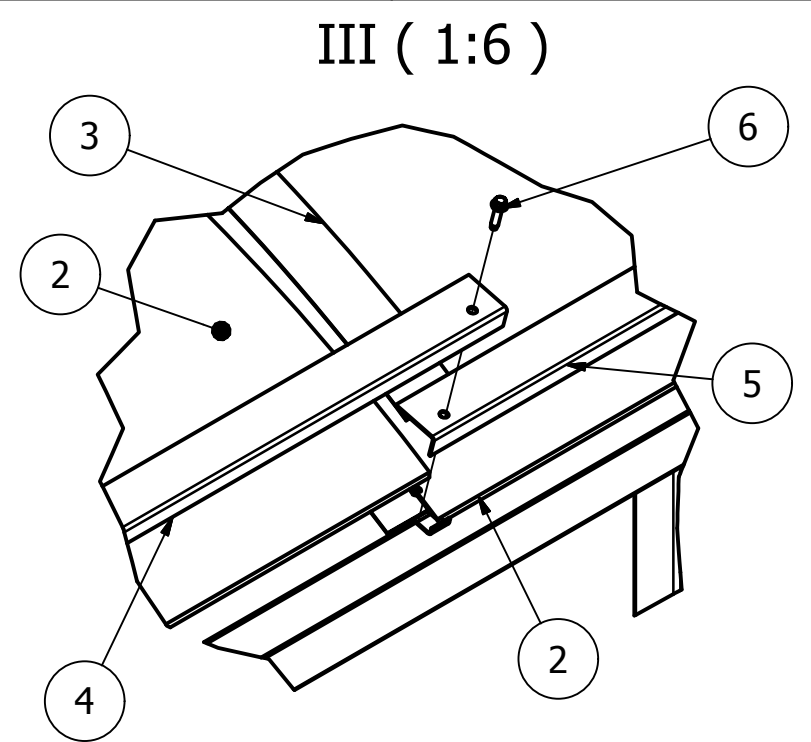
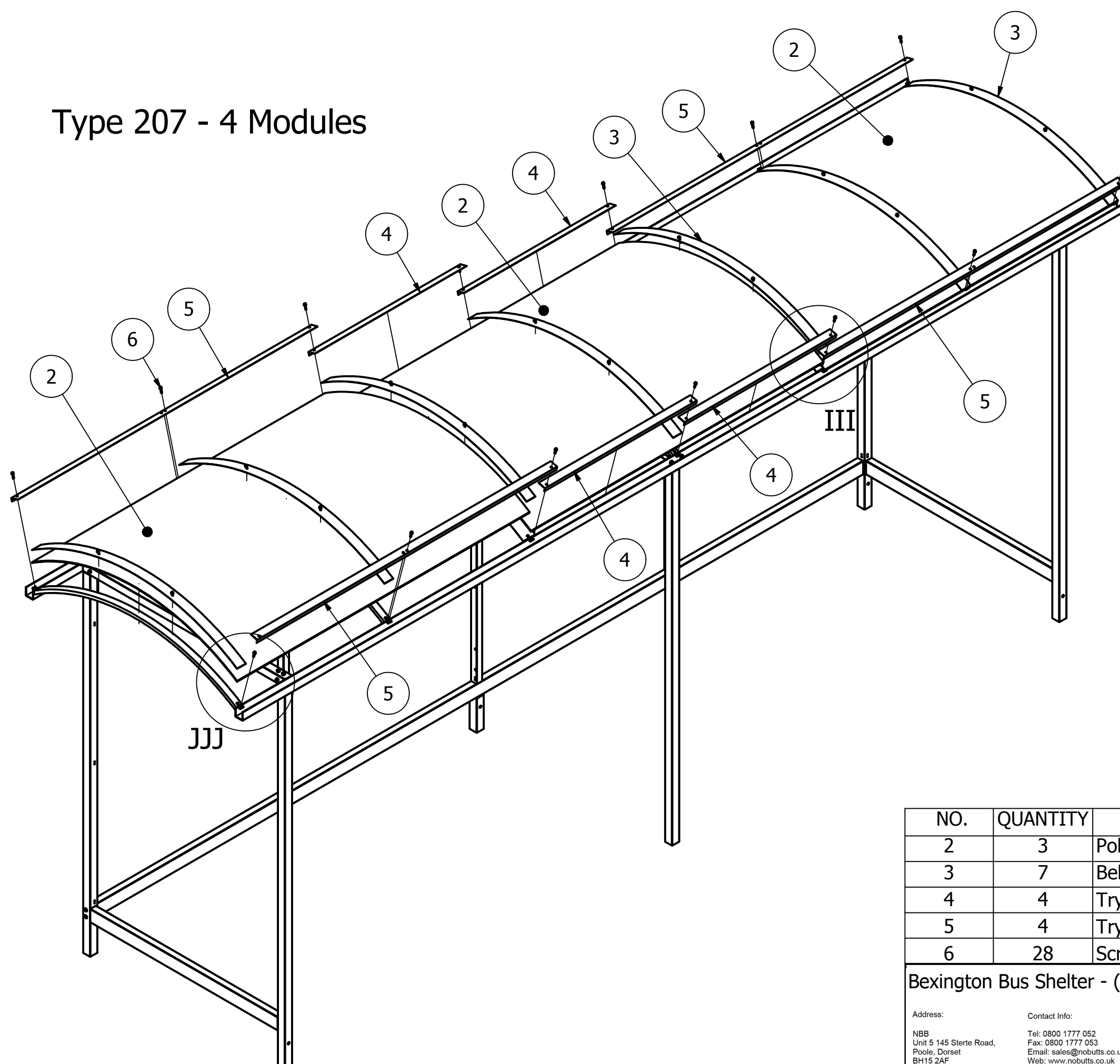


JJ ( 1:6 )



NO.	QUANTITY	ELEMENTS
1	1	Polycarbonate 4,5x1000x1490
2	1	Polycarbonate 4,5x2000x1490
3	4	Belt #60
4	2	Try square of fixing polycarbonate 45x20x1,5 L=1025
5	2	Try square of fixing polycarbonate 45x20x1,5 L=2025
6	16	Screw 6,3x25

# Type 207 - 4 Modules



NO.	QUANTITY	ELEMENTS
2	3	Polycarbonate 4,5x2000x1490
3	7	Belt #60
4	4	Try square of fixing polycarbonate 45x20x1,5 L=1025
5	4	Try square of fixing polycarbonate 45x20x1,5 L=2025
6	28	Screw 6,3x25