

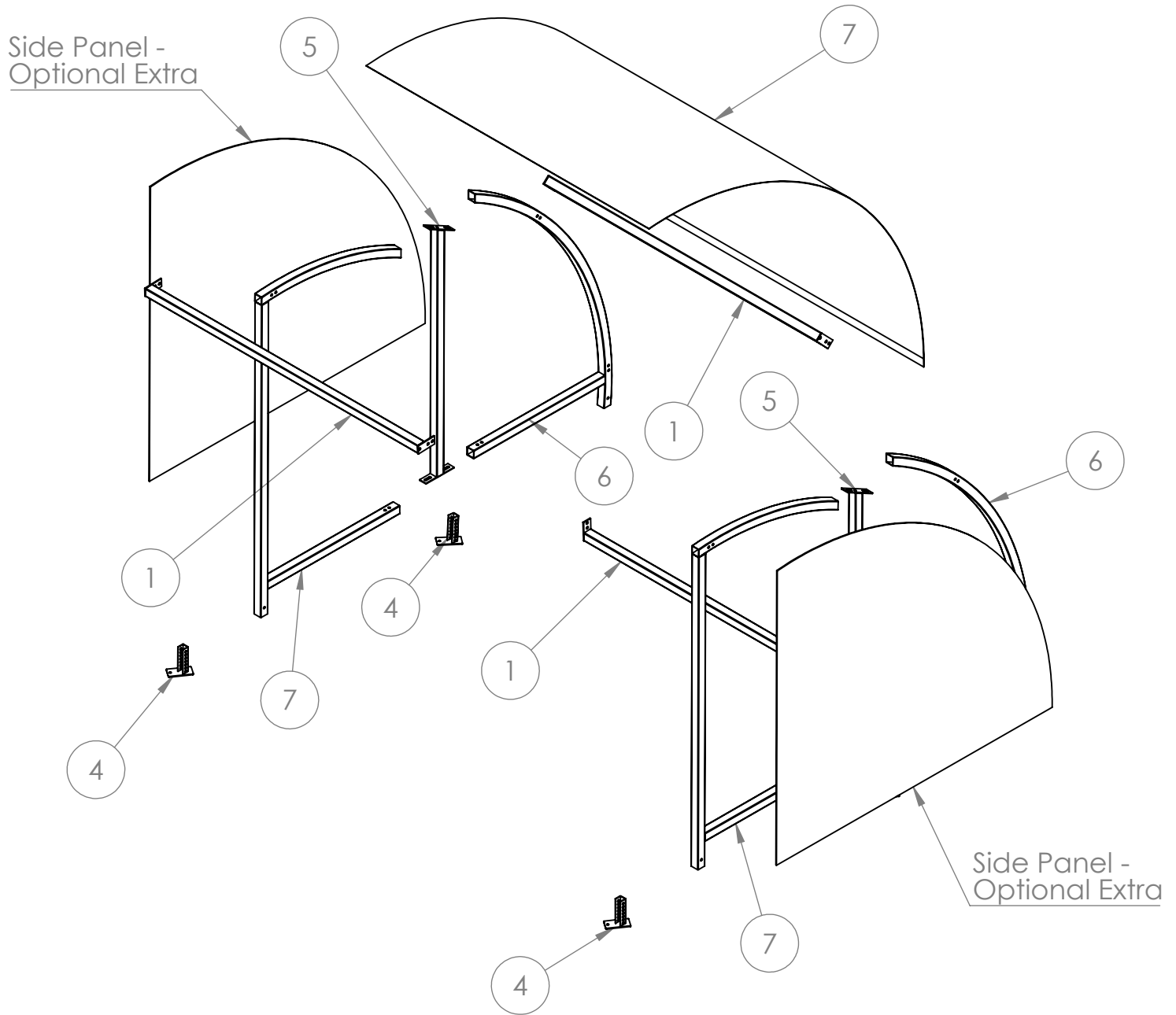
Assembly Instructions



Email : Sales@nobutts.co.uk
Web : www.nobutts.co.uk
Tel : 0800 1777 052

Shelter type: Kimmeridge 2m

KCS01ZC-02-221018-NBB



Tools required: (Not supplied)

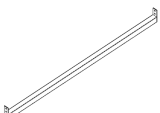









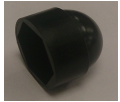
Drill/Screwdriver



Socket set

PARTS LIST & FITTINGS

ITEM NO.	PART NO.	DESCRIPTION	DIMENSION	IMAGE	QTY.
1	CTB	Central Tie Bar	1950		3
2	SP	Side Panel (Optional)	1815 x 1965		2
3	RP1	Outside Roof Panel	2995 x 2015		1
4	KIF	Kimmeridge Internal Foot	155		4
5	KST	Kimmeridge Straight Tie Bar Assembly	1535		2
6	KRF	Kimmeridge Rear Frame Assembly	2115 x 985		2
7	KFF	Kimmeridge Front Frame Assembly	1975 x 990		2
8	EC50	Plastic End Cap	50 x 50		2

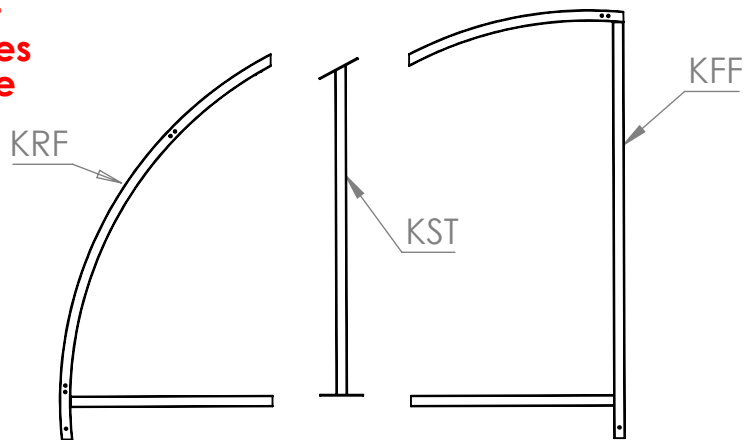
Fittings	M10 x 20 Hex head bolt	M10 x 70 Hex head bolt	M10 x 100 Anchor bolt	M10 Nuts	M10 Standard Washers	M12 Standard Washers	25 Tech screws	Plastic caps M10
QTY.	28	4	4	4	36	4	110	40
Image								

If you have received the "Split End" version (If not go straight to Step 1)

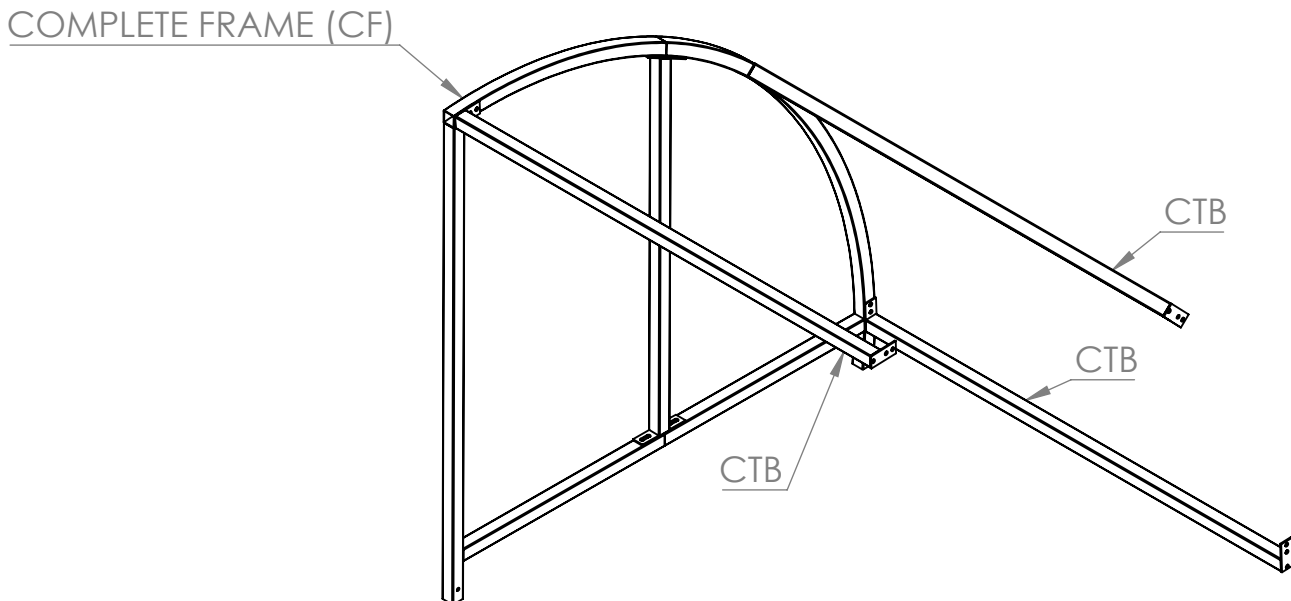
Join the three frame sections to make the Complete Side Frame using M10 bolts.

Note: Shelter has 2 sides Left and Right. Make sure all holes are in correct position before assembling. (Facing into shelter)

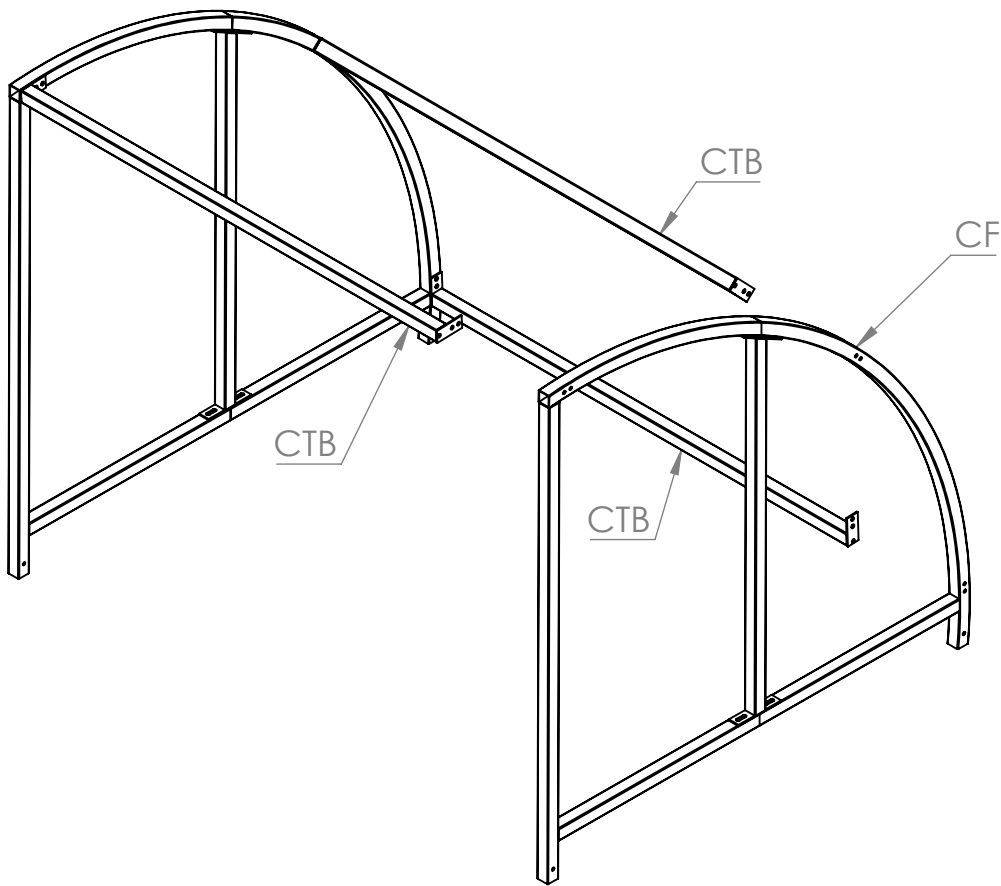
2 people recommended to fit this shelter.



Step 1 Take the **CF Side Frame** and attach the **CTB Tie Bar** to it in the positions shown below using the **M10x20 Bolts** supplied.

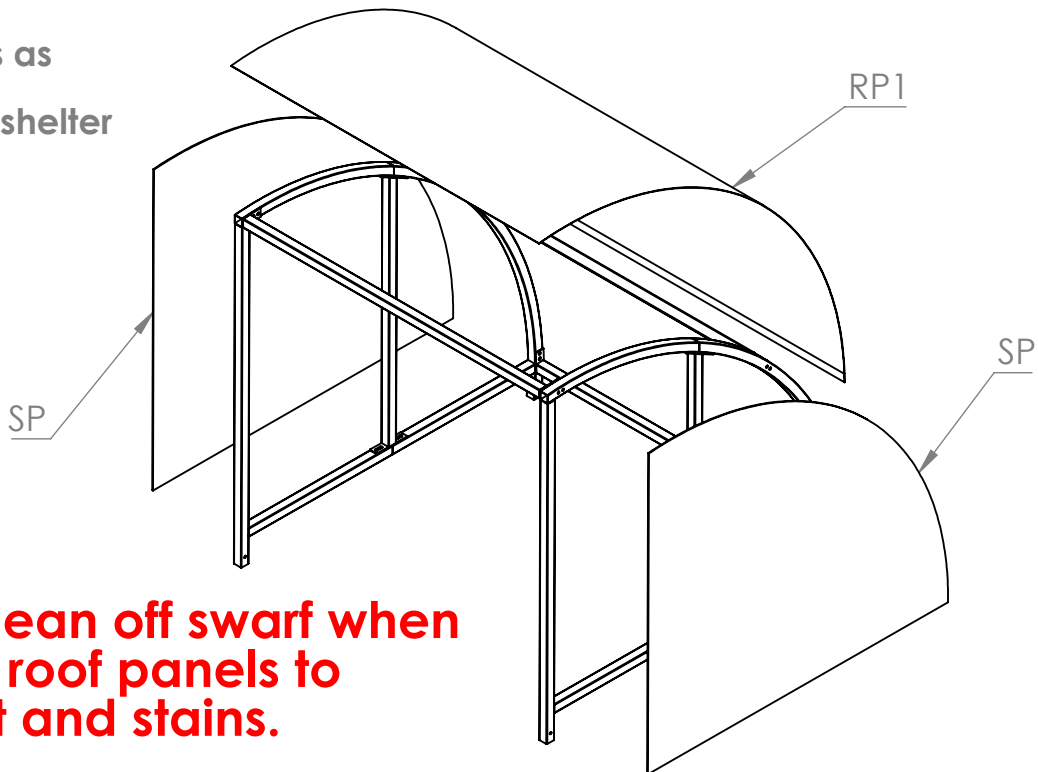


Step 2 Repeat **Step 1** with the other side of the shelter. (**the structure will now stand without support.**) Make sure all bolts are tight at this point.



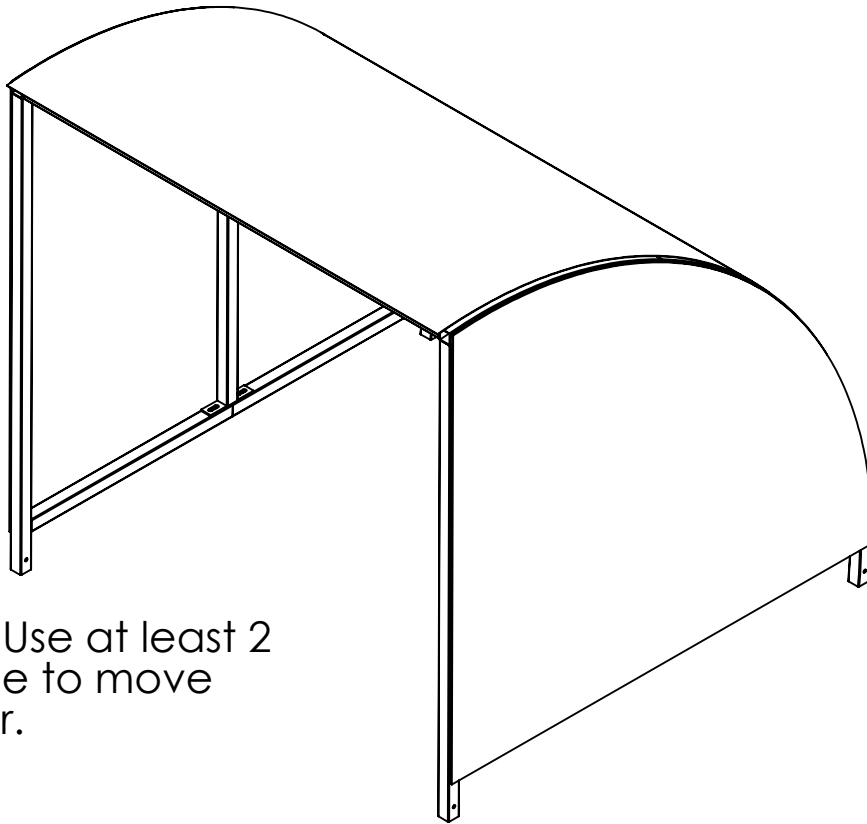
Step 3 Secure the polycarbonate supplied with the shelter to the outer parameter, using **TEC 25 Screws** in the fixing kit. (Note: 200mm Spacings Between **TEC Screws**)

Add Side Panels as shown below if purchased with shelter



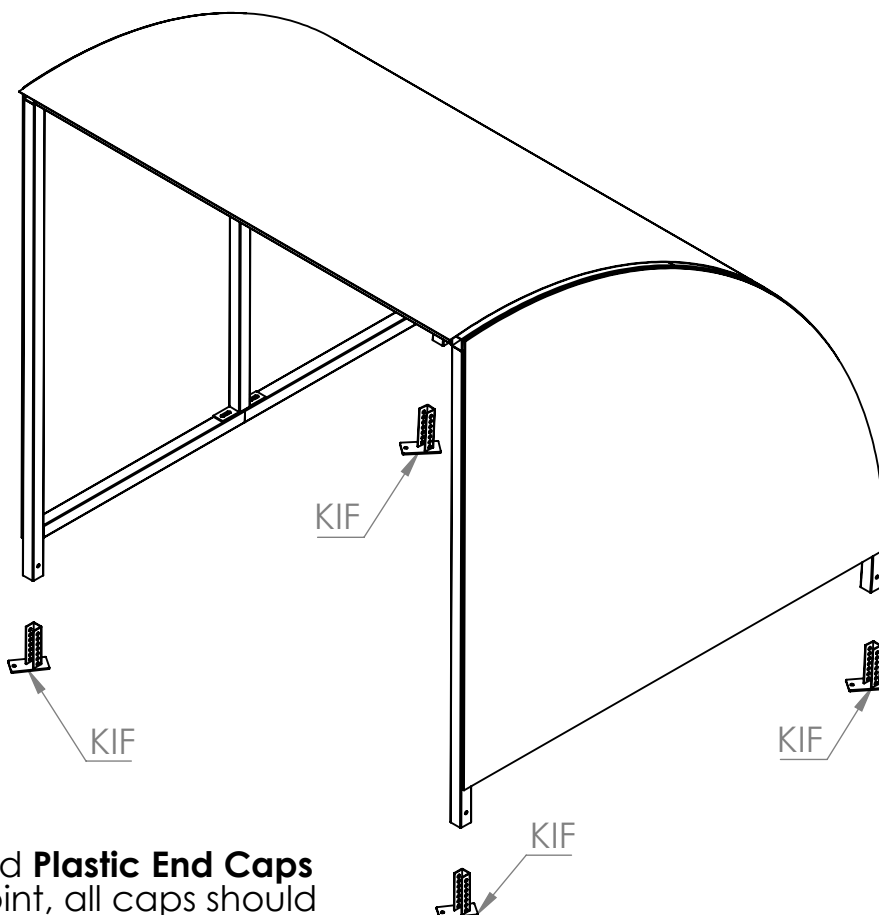
Always clean off swarf when fitting the roof panels to avoid rust and stains.

Step 4 Now all the polycarbonate is attached, move shelter to desired location.



Note: Use at least 2 people to move shelter.

Step 5 Once in desired location bolt the foot to the shelter (**M10x70**) and to ground (**M10x100**) using fixings within the kit provided.



Note: Add **Plastic End Caps** at this point, all caps should be used.

NOTES:

THANK YOU FOR PURCHASING THIS PRODUCT

MAINTENANCE:

To ensure your products give you many years of use we recommend that you:

- Clean panels regularly with soapy water
- Ensure all fittings are tight (for example after a big storm)
- Touch up any exposed metal should it get scratched

CONTACT DETAILS:

Email : Sales@nobutts.co.uk

Web : www.nobutts.co.uk

Tel : 0800 1777 052

NBB, Unit 5, 145 Sterte Road, Poole, Dorset BH15 2AF

All Parts and Fixings checked by:	
Print Name:	Signature: