

Assembly Instructions

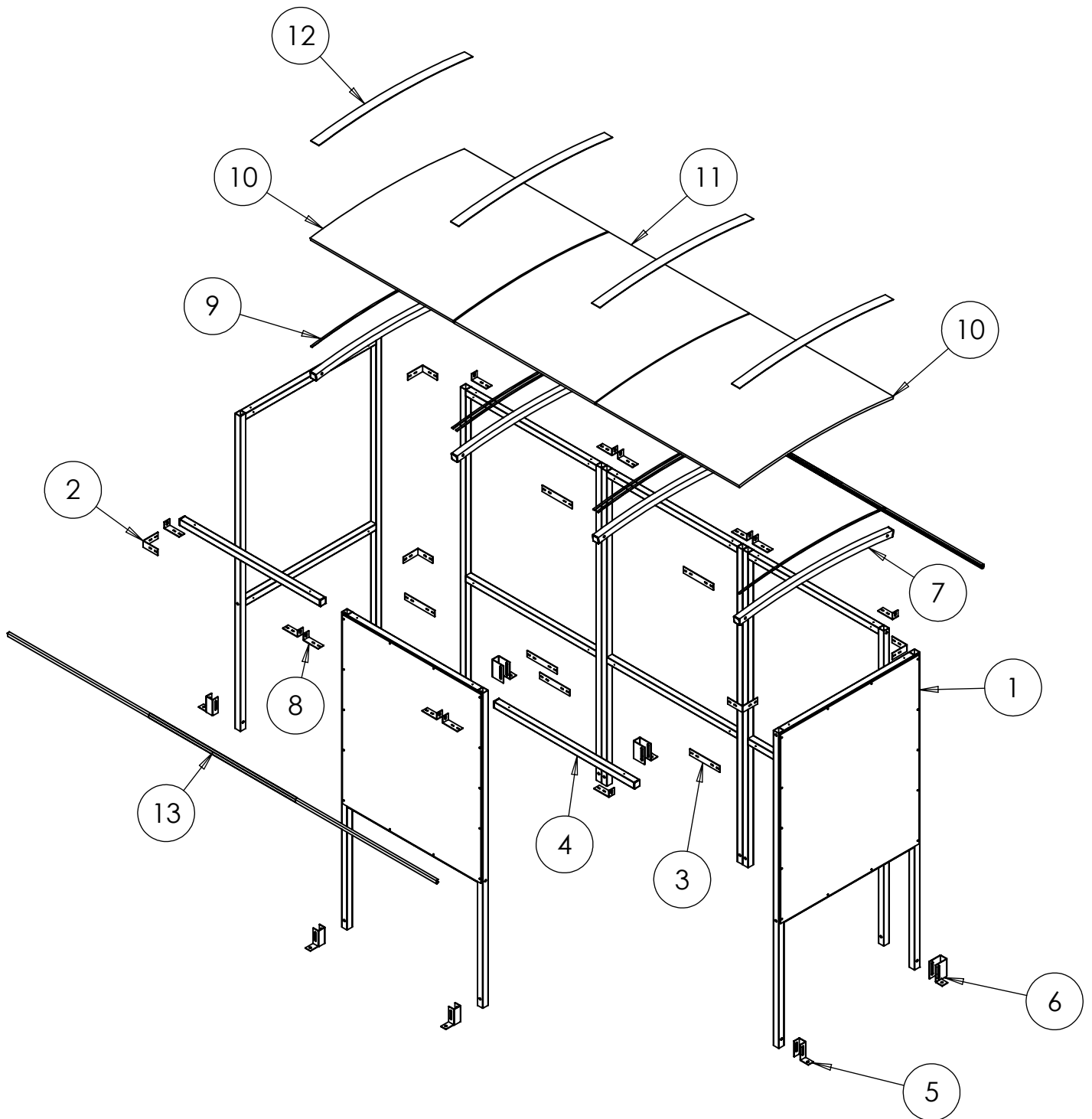


Email : Sales@shelters4less.co.uk
Web : www.shelters4less.co.uk
Tel : 0800 160 1002

Product Code: SR1552

Doc. No.: SR152-02-240317-UK

Exploded View



Tools required:



Drill/Screwdriver



Spanner



Mallet

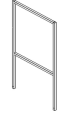
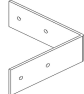
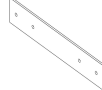
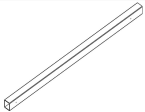
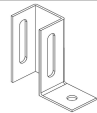
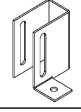
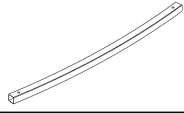
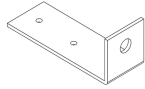



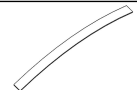
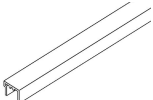
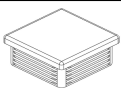


Torx bit



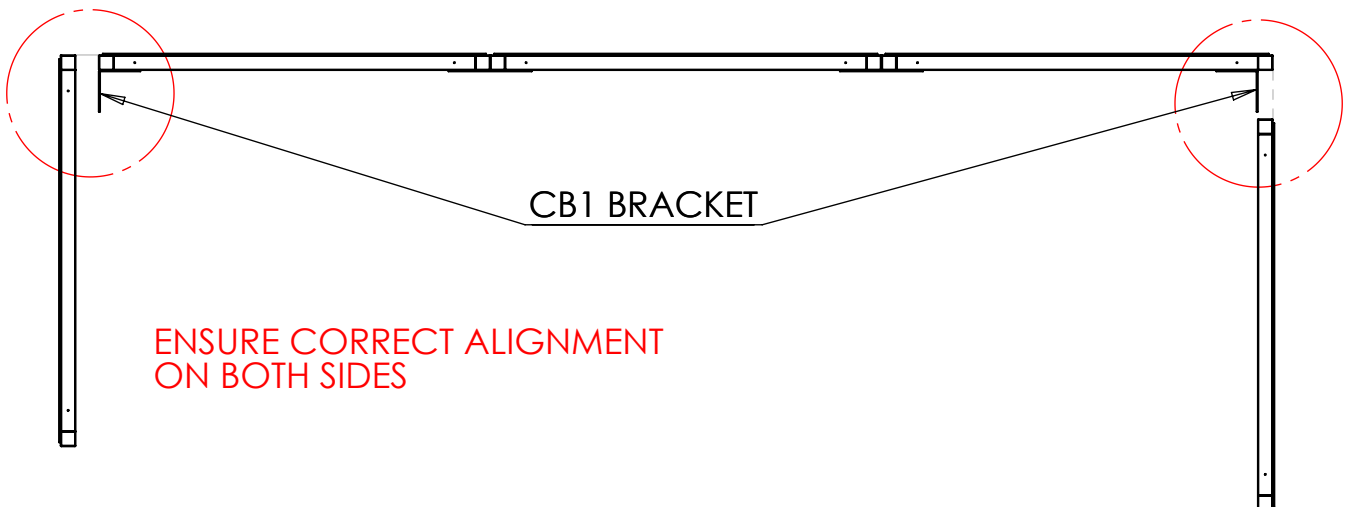
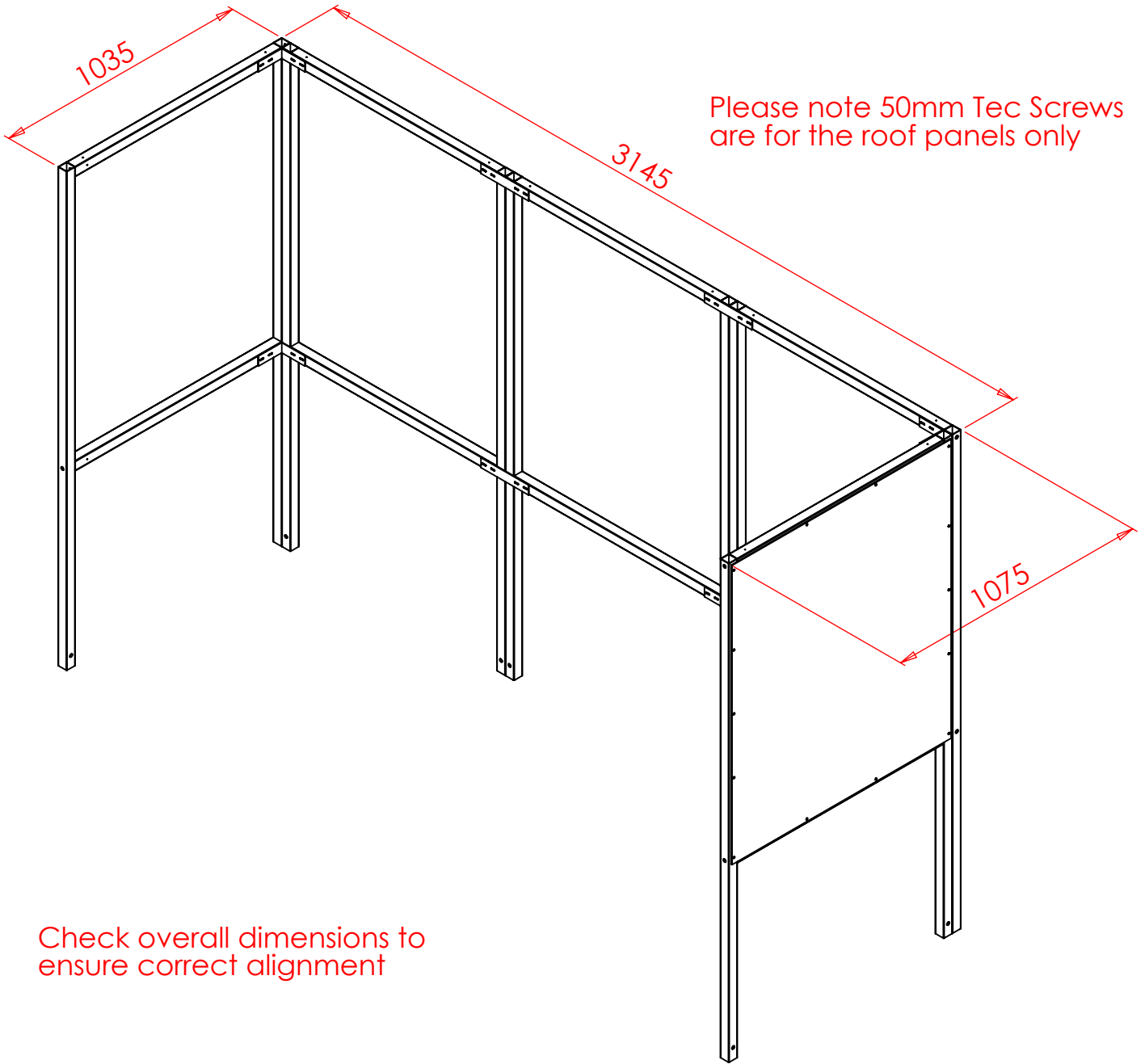
Hack saw

PARTS LIST

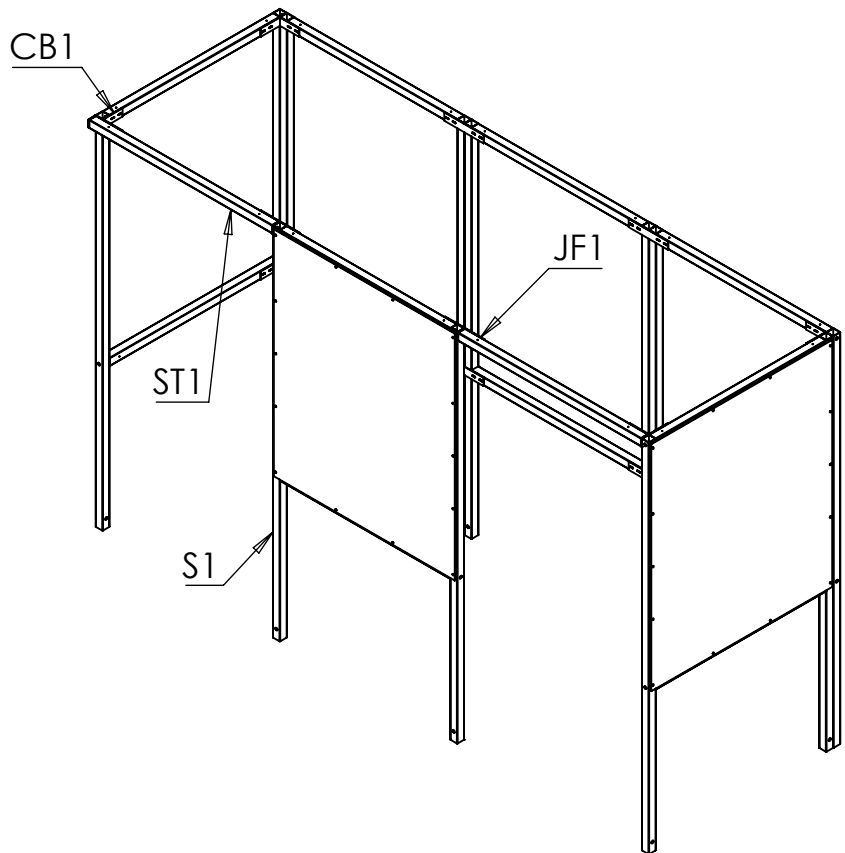
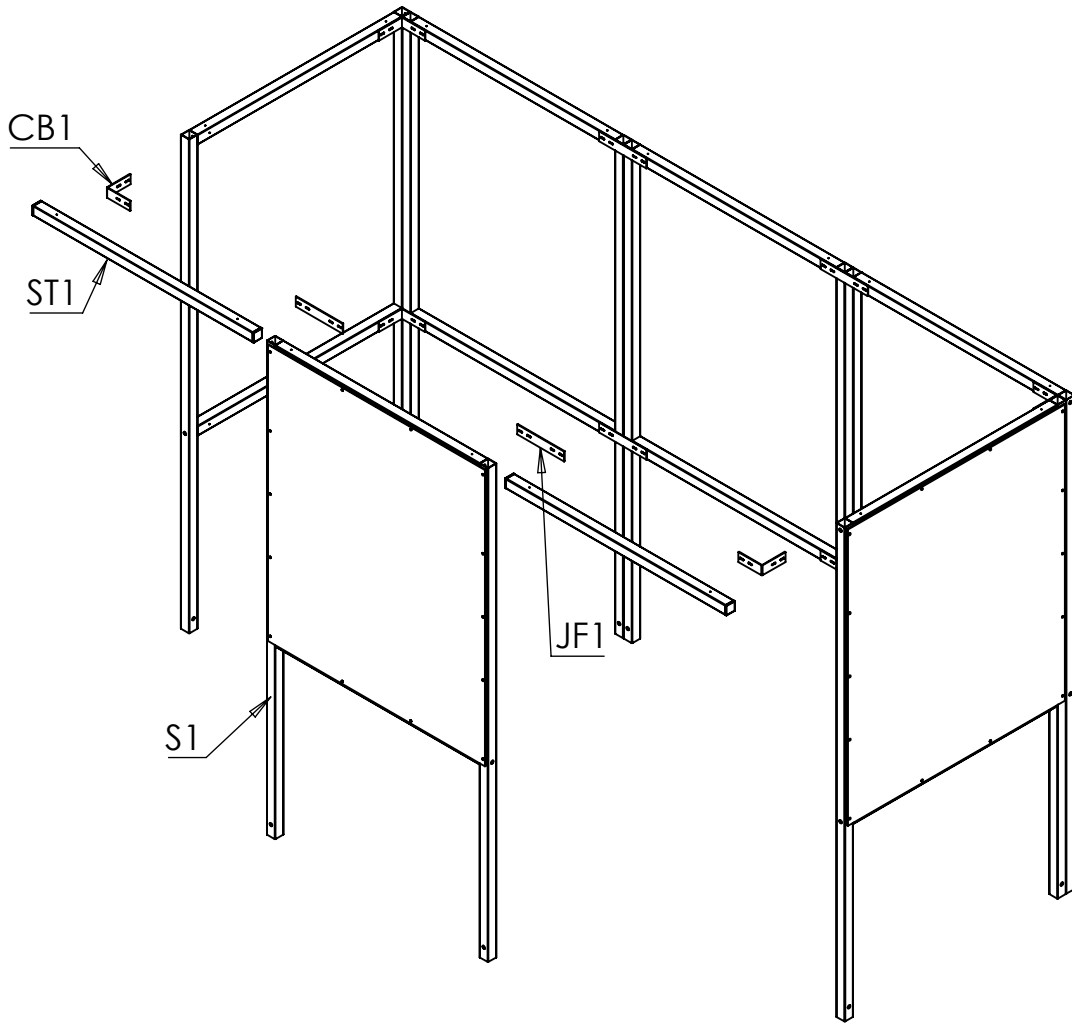
ITEM NO.	PART NO.	DESCRIPTION	DIMENSION	IMAGE	QTY.
1	S1	FRAME	2000x1035		6
2	CB1	BRACKET	110x110		6
3	JF1	BRACKET	106x110x40		6
4	ST1	ROOF TIE	1025x40x40		1
5	FT1	FOOT	109x100x40		4
6	FT3	FOOT	109x100x40		4
7	R1	ROOF RAFTER	1130x40x40		4
8	RB1	BRACKET	110x46		12
9	SS	SEALING STRIP	TRIM TO 1130		2 ROLLS
10	PCE1	ROOF PANEL	1130x1050		2
11	PCC1	ROOF PANEL	1130x1030		1
12	RC1	ROOF STRIP	1130		4
13	2MD	ROOF EDGING	TRIM TO FIT		4
14	EC40	END CAP	40x40		10

Fittings	Bolt set M10			T25	T50		BTANCM12100
	M10 x 60 mm	Nut	Washer	25 mm Tech screw	50 mm Tech screw	Black Caps	M10/12 x 100 mm Concrete Bolt
Pack A	30	30	60	72	30	60	8
Required	16	16	32	32	72	24	8
Spare	14	14	28	28	0	6	0
Image							

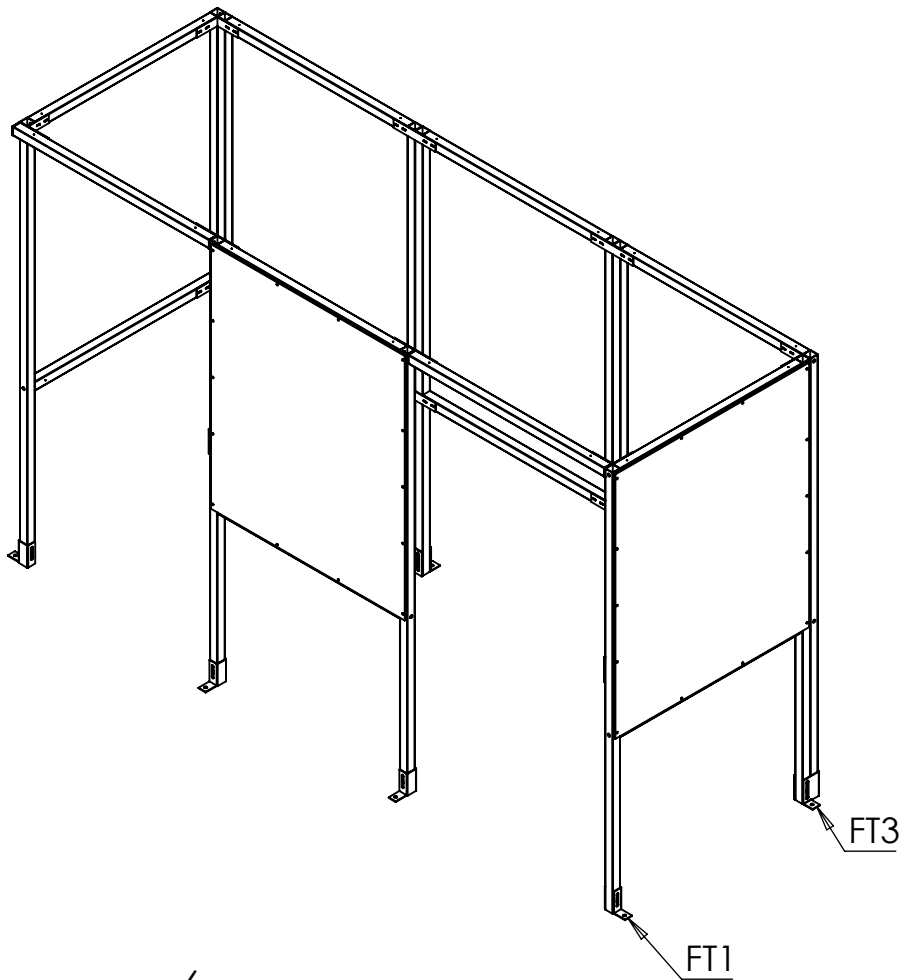
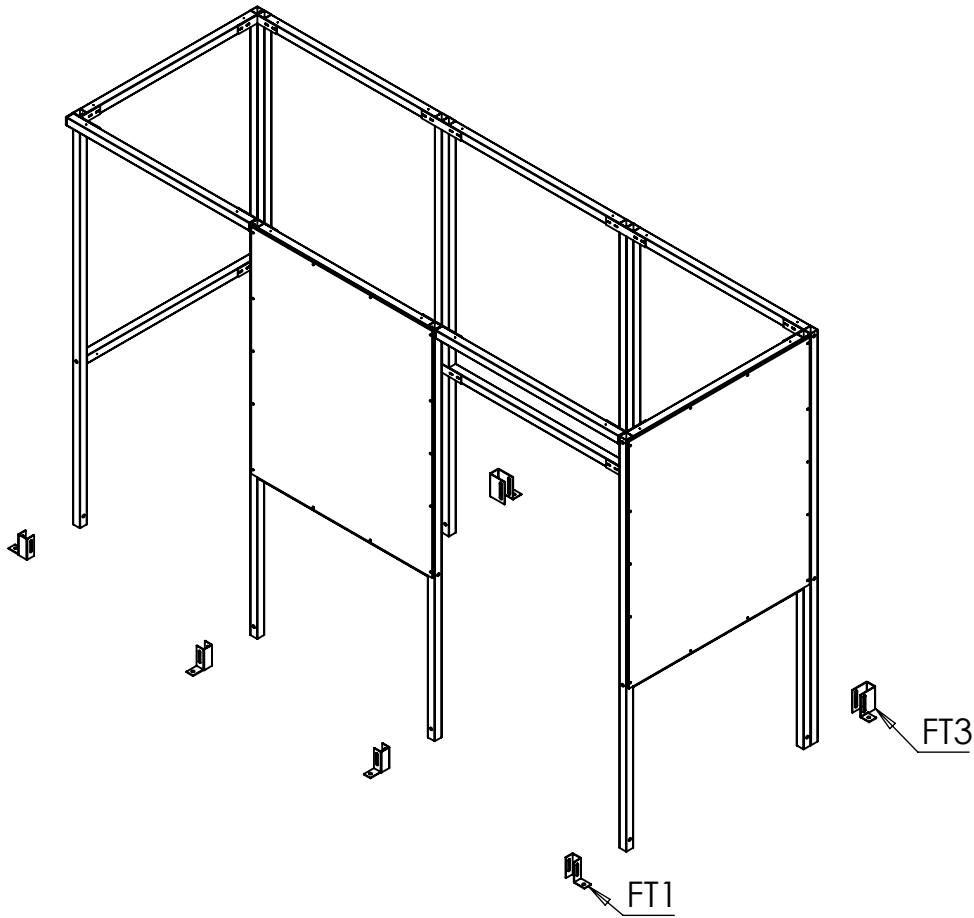
Step 1 Assemble main structure (**S1 Frames**) using **CB1** and **JF1** Brackets.



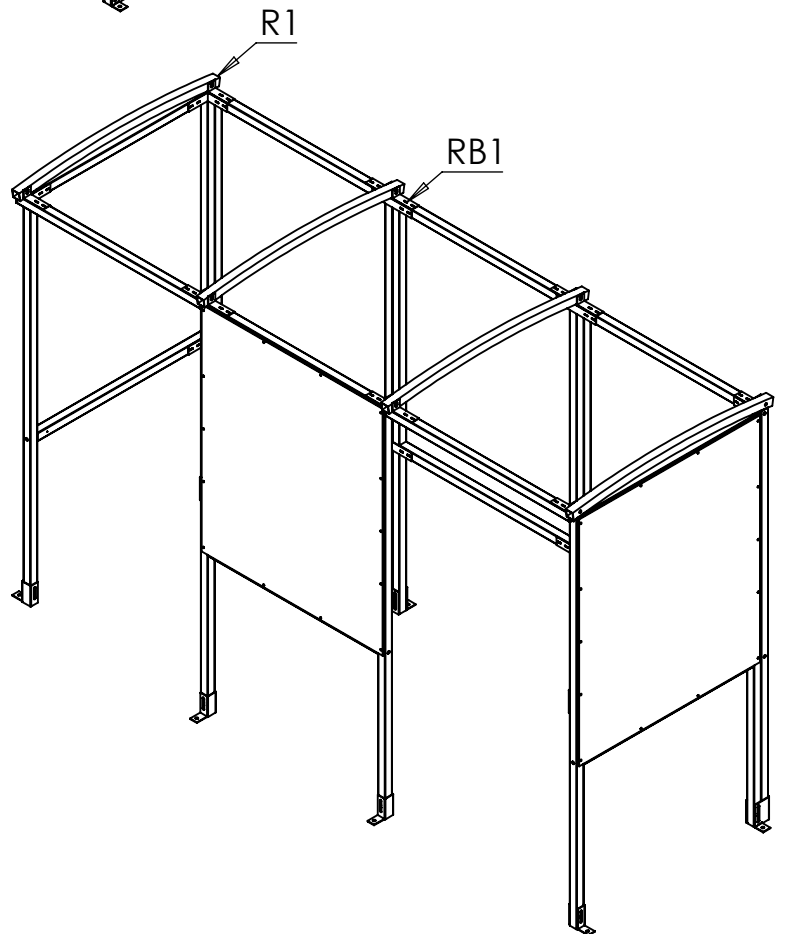
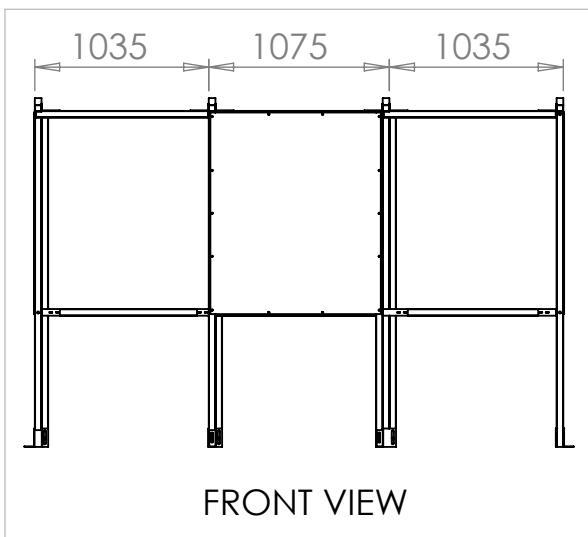
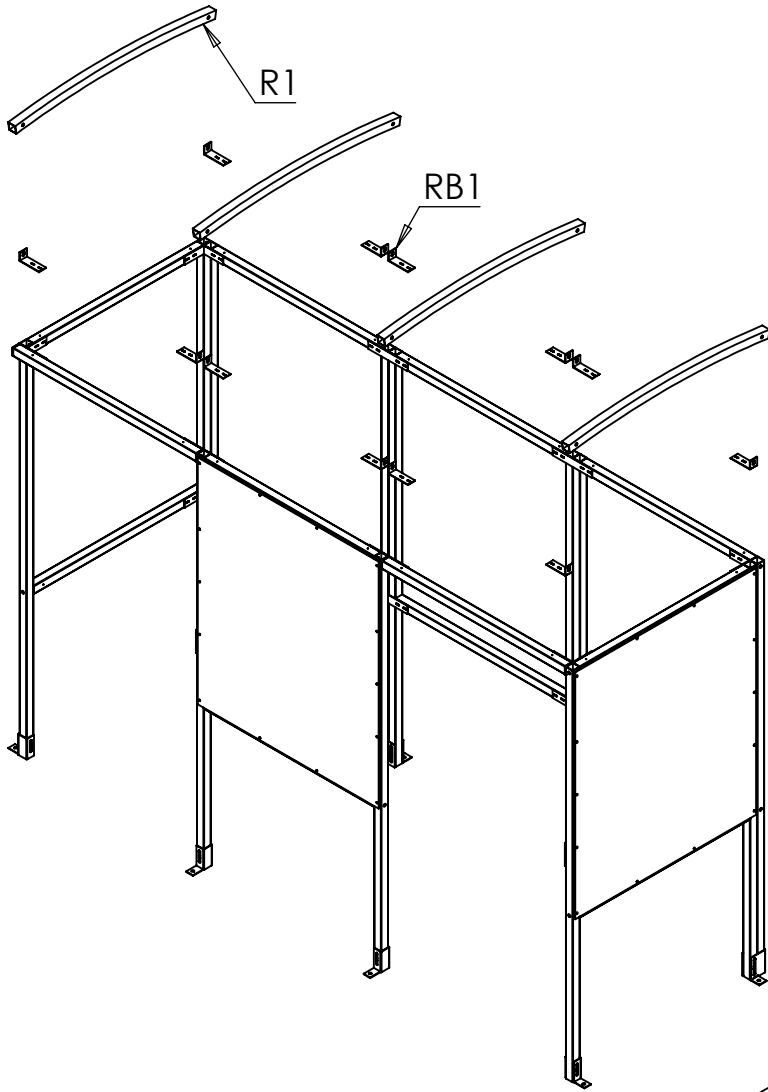
Step 2 Attach **ST1** Roof Tie and Final **S1** to the structure using **CB1** and **JF1** Brackets



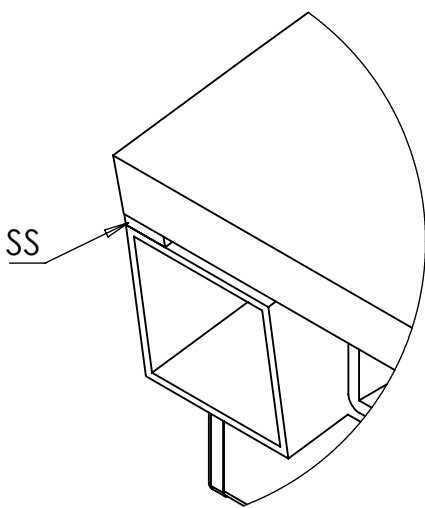
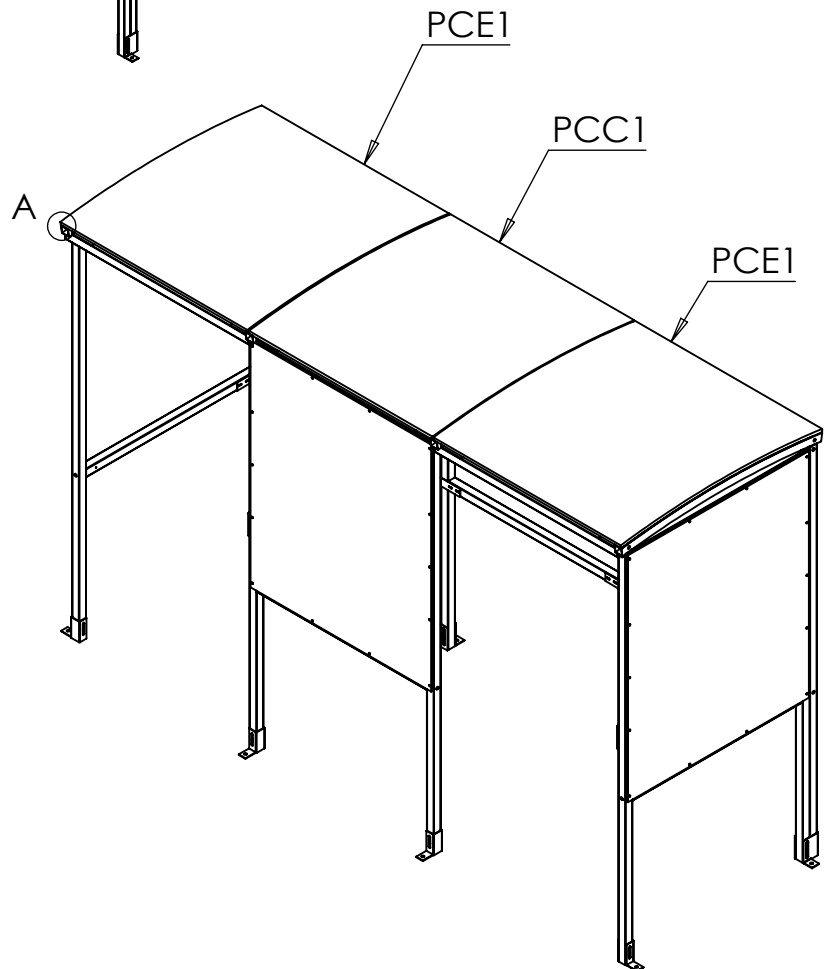
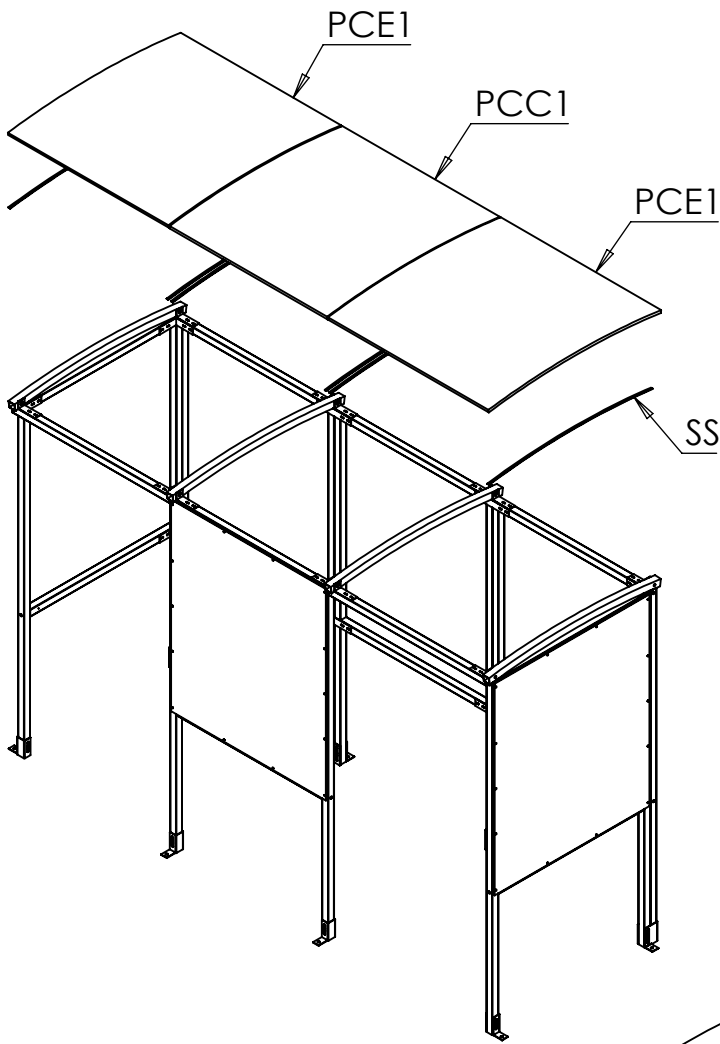
Step 3 Bolt the **FT1** and **FT3** Foot Brackets to the bottom of the frames and secure in desired position using ground anchor bolts.



Step 4 Screw **RB1 Brackets** to the top of the frame and bolt **R1 Rafters** to framework.

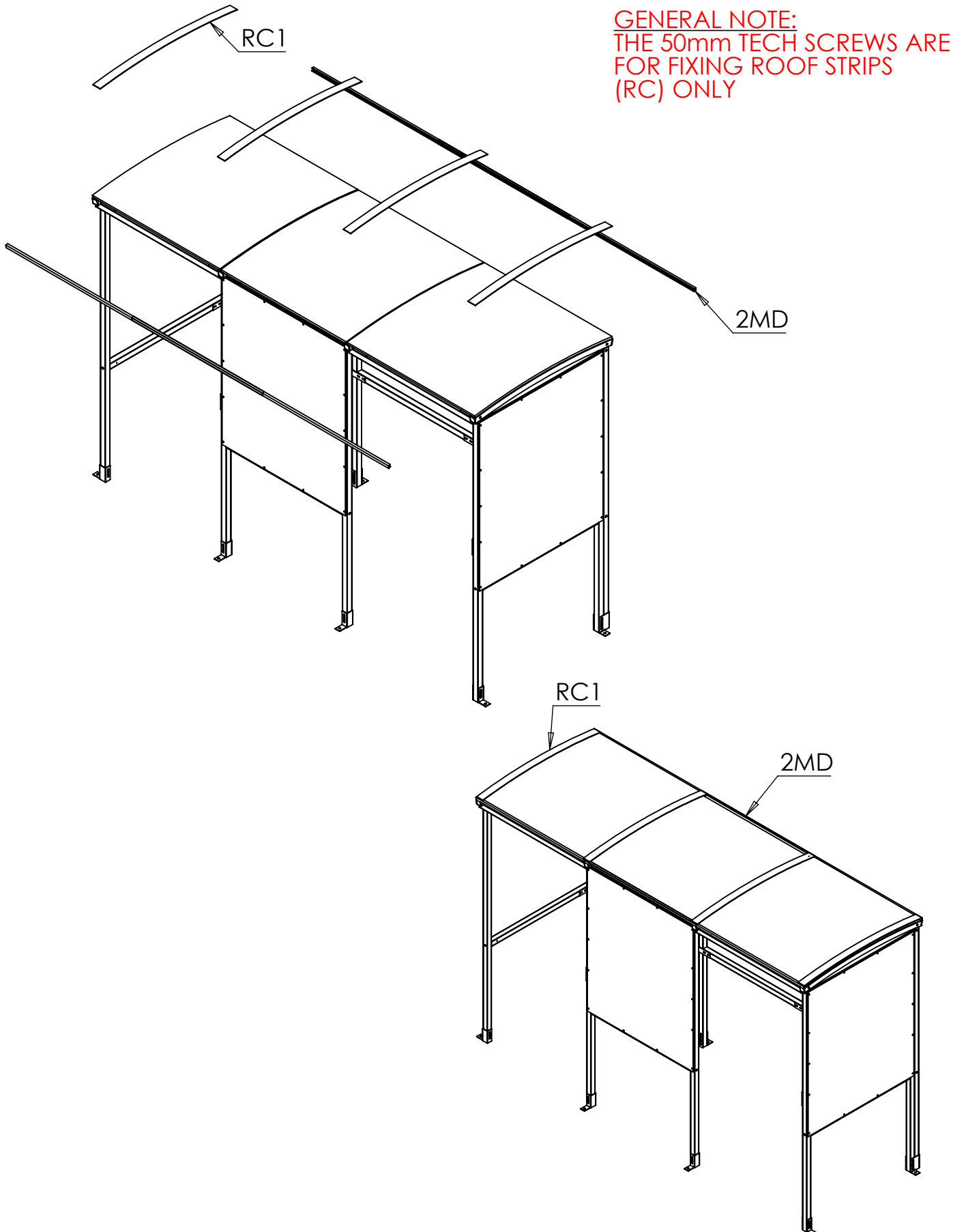


Step 5 Attach two **Sealing strips** to the top of each rafter then place **PCE1** and **PCC2 Panels** on top of the strips leaving a small gap between each. Apply more sealing strips to the top of the roof panels, directly above the first strips.



DETAIL A
SCALE 1 : 1.5

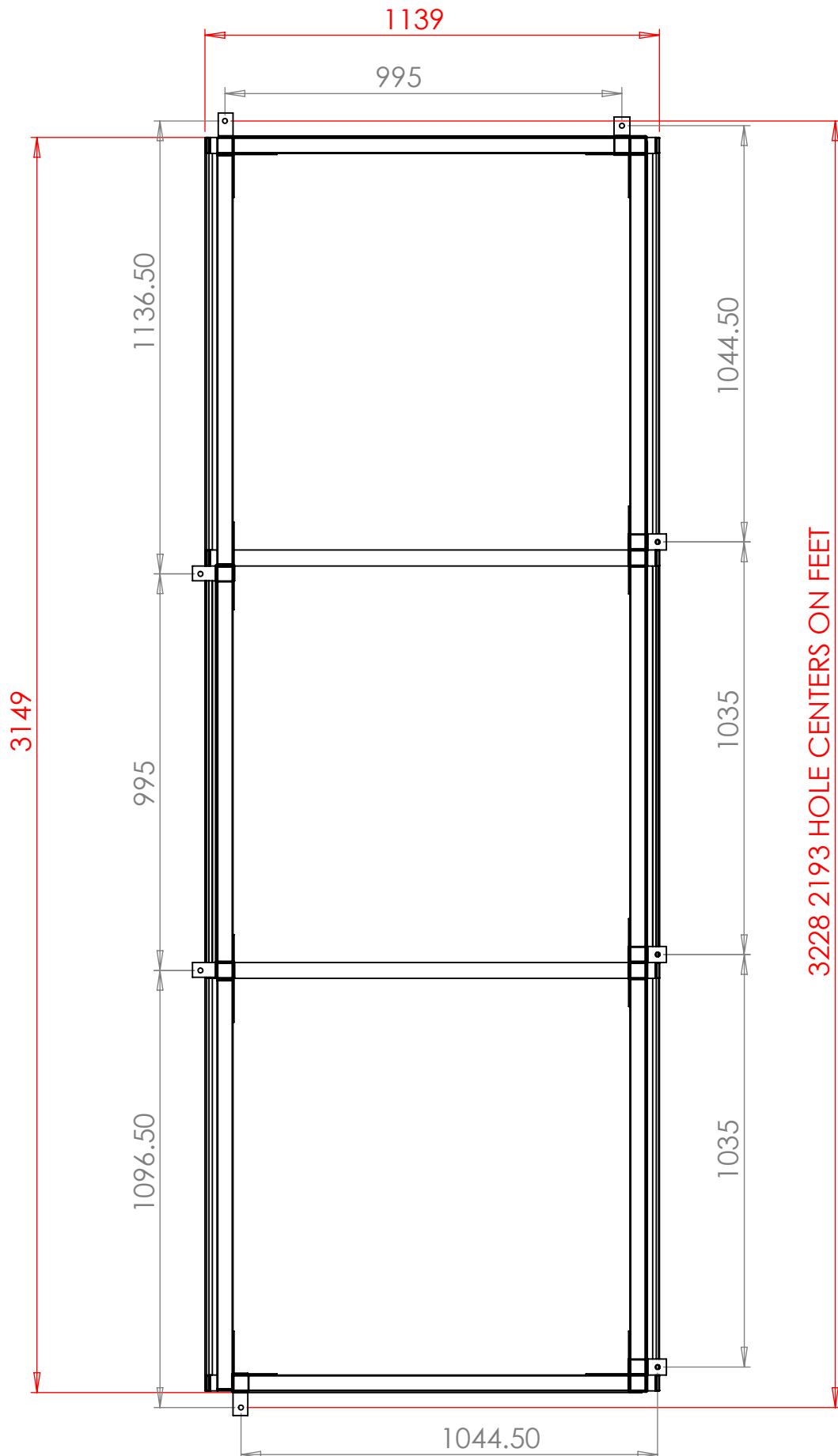
Step 6 Secure panels in place using an **RC1 Strip** and **50mm Tech screws**, then attach the **2MD** Edge Trim to the outer edges of the panels. Then fit the black plastic caps on exposed nuts and bolts. Fit the square plastic end caps to any open ends of box sections.



Ground anchor positions and overall size

Suggested size for concrete base: 200mm oversizes (on all four sides)

Scale 1:15



NOTES:

THANK YOU FOR PURCHASING THIS PRODUCT

MAINTENANCE:

To ensure your products give you many years of use we recommend that you:

- Clean panels regularly with soapy water
- Ensure all fitting are tight (for example after a big storm)
- Touch up any exposed metal should it get scratched

CONTACT DETAILS:

Email : Sales@shelters4less.co.uk

Web : www.shelters4less.co.uk

Tel : 0800 160 1002

Shelters4Less, Unit 3, 2 Landsdowne Crescent, Bournemouth, BH1 1SA

All Parts and Fixing checked by:	
Print Name:	Signature