

Assembly Instructions

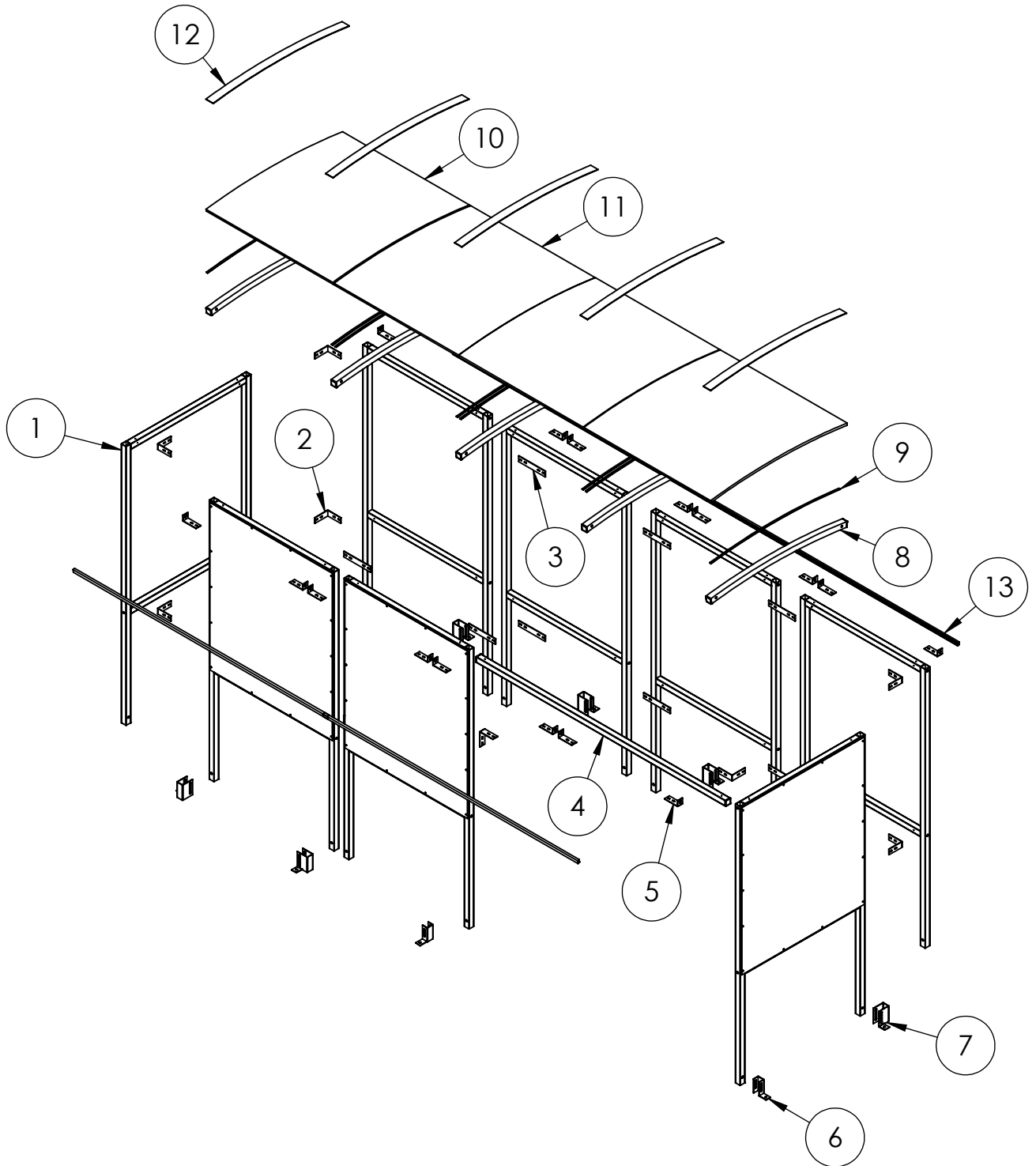


Email : Sales@shelters4less.co.uk
Web : www.shelters4less.co.uk
Tel : 0800 160 1002

Product code: SR1553

Doc. No.: SR1553-02-260916-UK

EXPLODED VIEW AND TOOLS



Tools required:



Drill/Screwdriver



Mallet



Hack saw

Tools included:


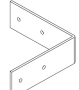

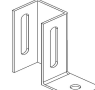
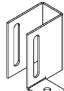
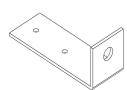
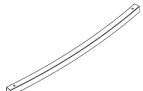

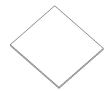
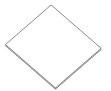

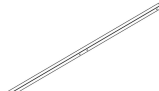
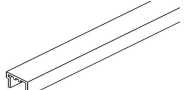
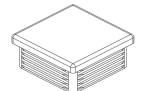


Spanner



Torx bit

PARTS LIST AND FITTINGS

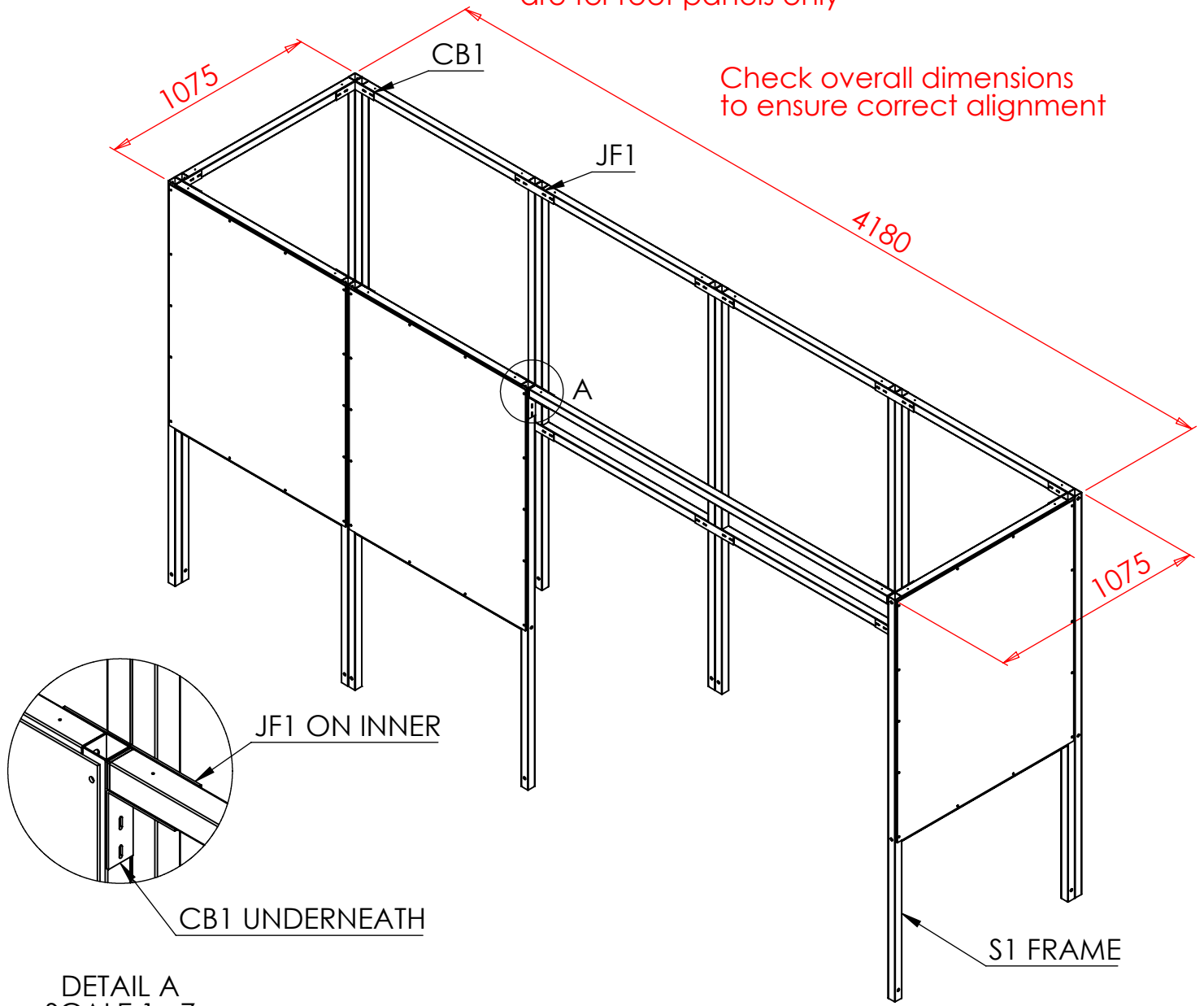
ITEM NO.	PART NO.	DESCRIPTION	DIMENSION	IMAGE	QTY.
1	S1	Frame	2000x1035		8
2	CB1	Bracket	110x110		8
3	JF1	Bracket	220x40		9
4	FT1	Bracket	109x100x40		2
5	FT3	Bracket	109x100x80		7
6	RB1	Bracket	106x110x40		16
7	R1	Rafter	2000x1035		5
8	SS	Sealing Strip	110x110x40		2 ROLLS
9	PCE1	Roof Panel	110x46		2
10	PCC1	Roof Panel	1030x1135		2
11	RC1	Roof Strip	2060x40x40		5
12	ST3	Roof Tie	2060x40x40		1
13	2MD	Roof Edge Trim	106x110x80		5
15	EC40	Plastic End Cap	40x40		12

Fittings	Bolt set M10				T25	T50	AB1210
	M10 x 60mm	Nut	Washer	Black Cap	25 mm Tech screw	50 mm Tech screw	M10/12 x 100 mm Concrete Bolt
Pack A+B	40	40	80	80	136	66	13
Required	19	19	38	38	100	30	9
Spare	21	21	42	42	36	36	4
Image							

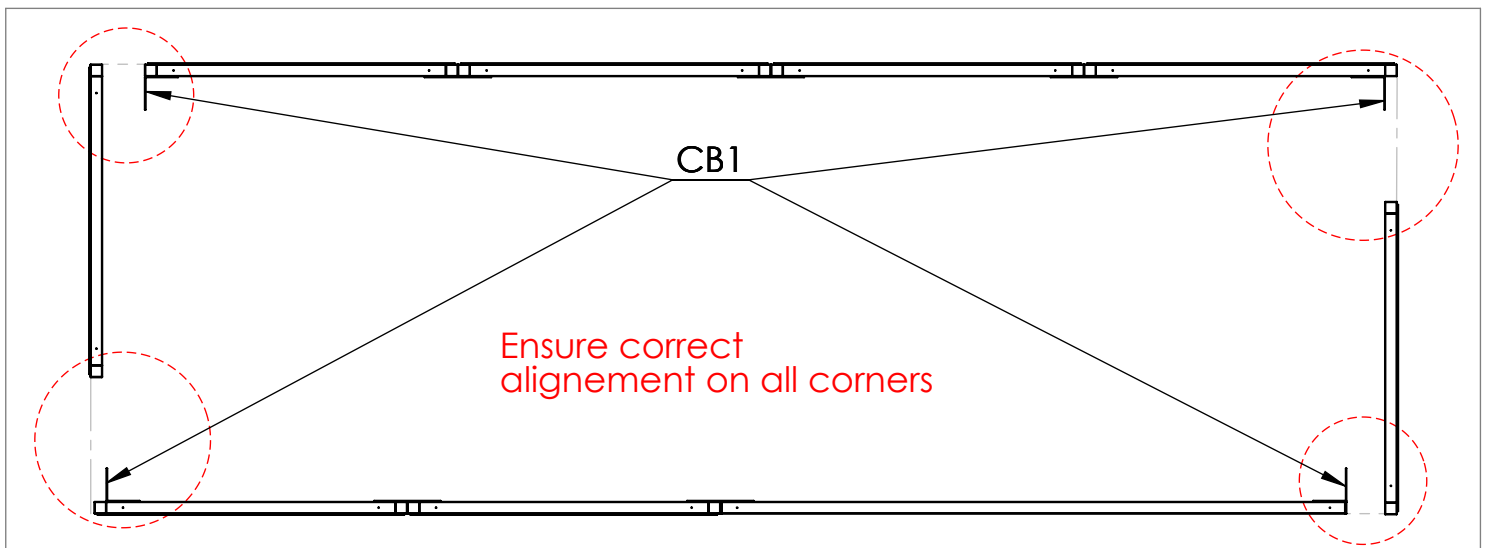
Step 1 Assemble **S1** frames to make up the main structure using **CB1** brackets for the corners and **JF1** brackets for straight joints. Also use **CB1** and **JF1** brackets to secure the **ST3** tie bar.

Please note 50 mm Tec Screws are for roof panels only

Check overall dimensions to ensure correct alignment

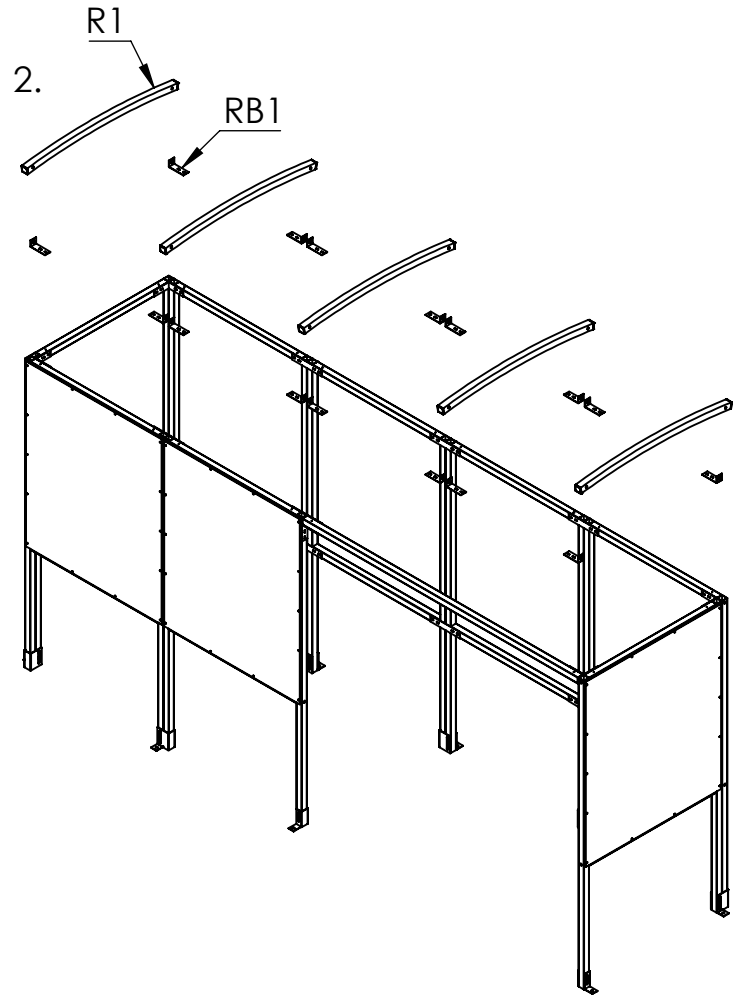
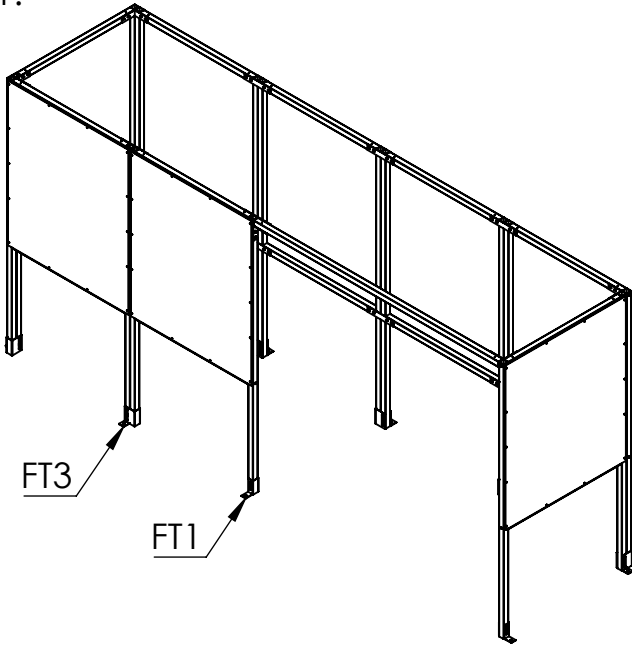


DETAIL A
SCALE 1 : 7

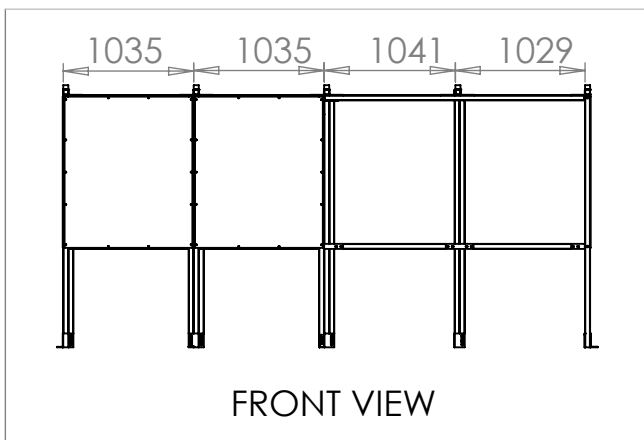
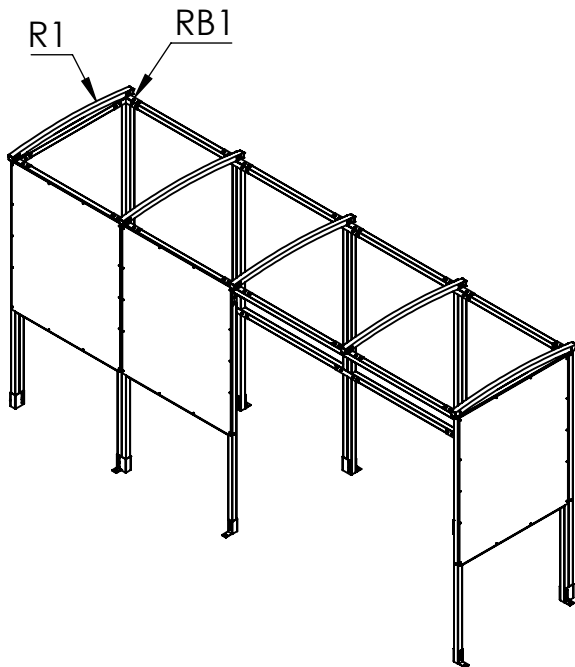


Step 2 Move the Shelter to its final position and attach all **FT1** and **FT3** foot brackets. Then attach **R1** roof rafters using **RB1** brackets.

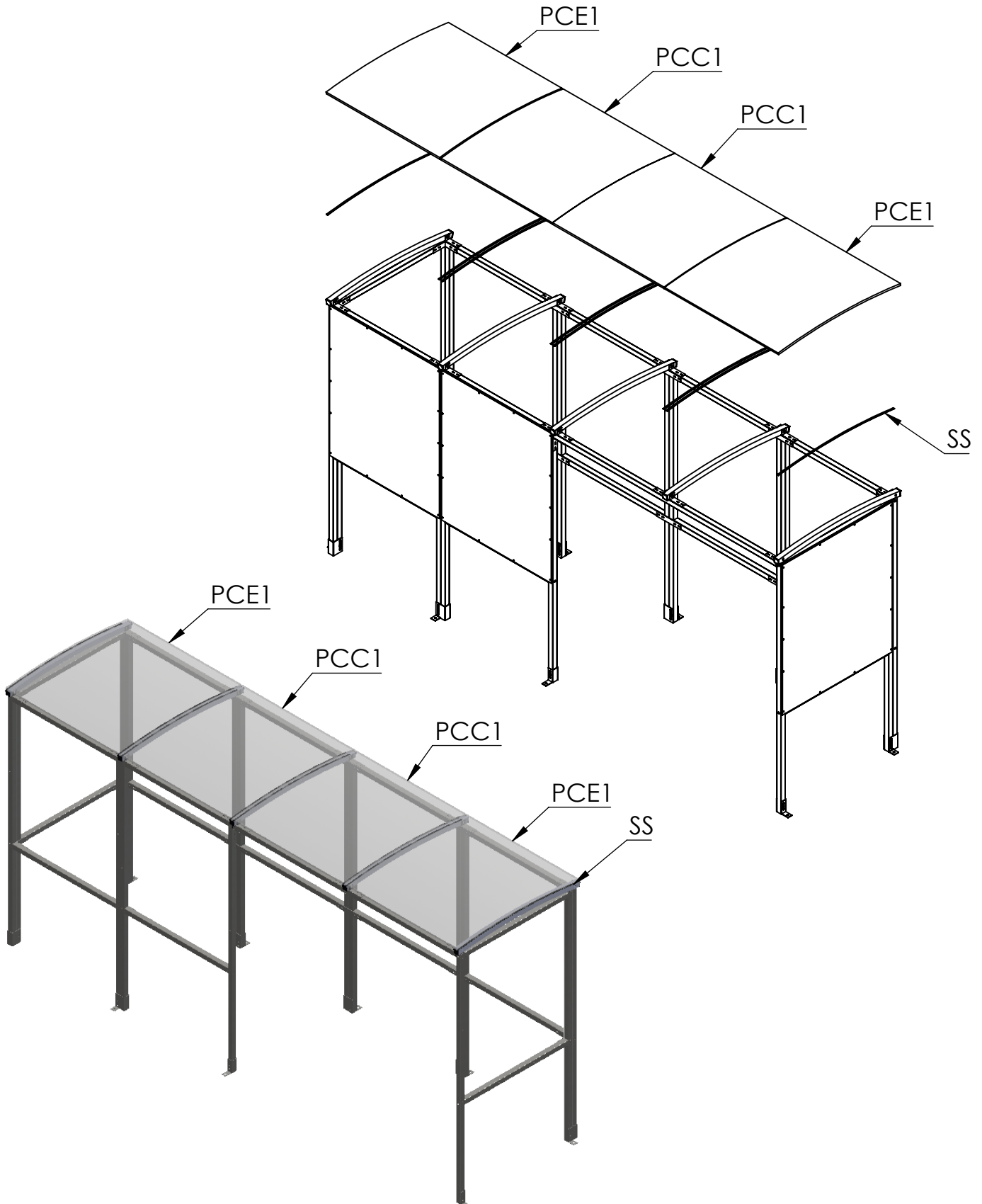
1.



3.

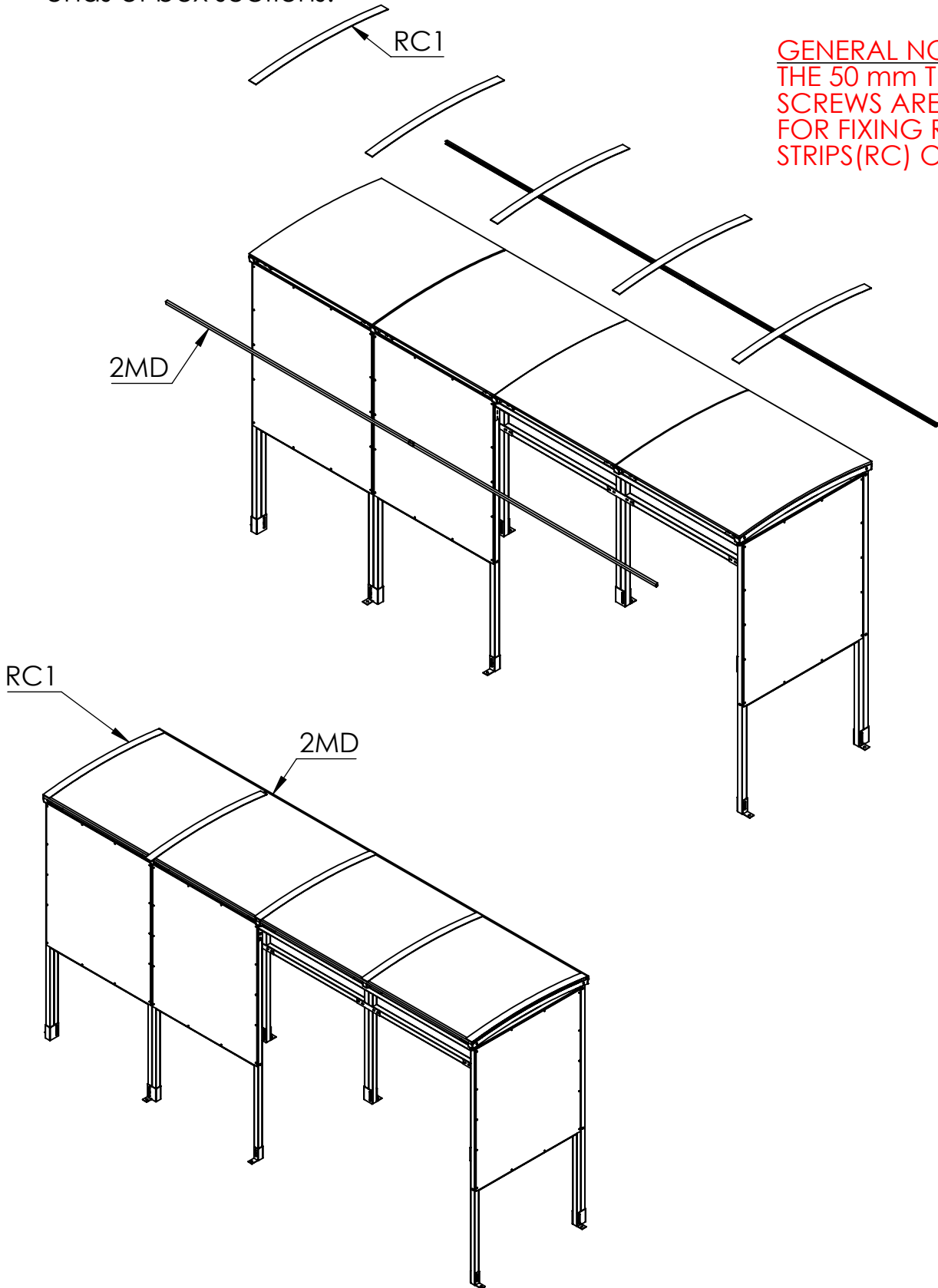


Step 3 Apply **sealing strips (SS)** to the top of the rafters then arrange the roof panels by lining up the end panels (**PCE1**) flush with the rafters and leaving a gap between the middle pieces (**PCC1**). Apply more sealing strips to the top of the roof panels directly above the strips on the rafters.

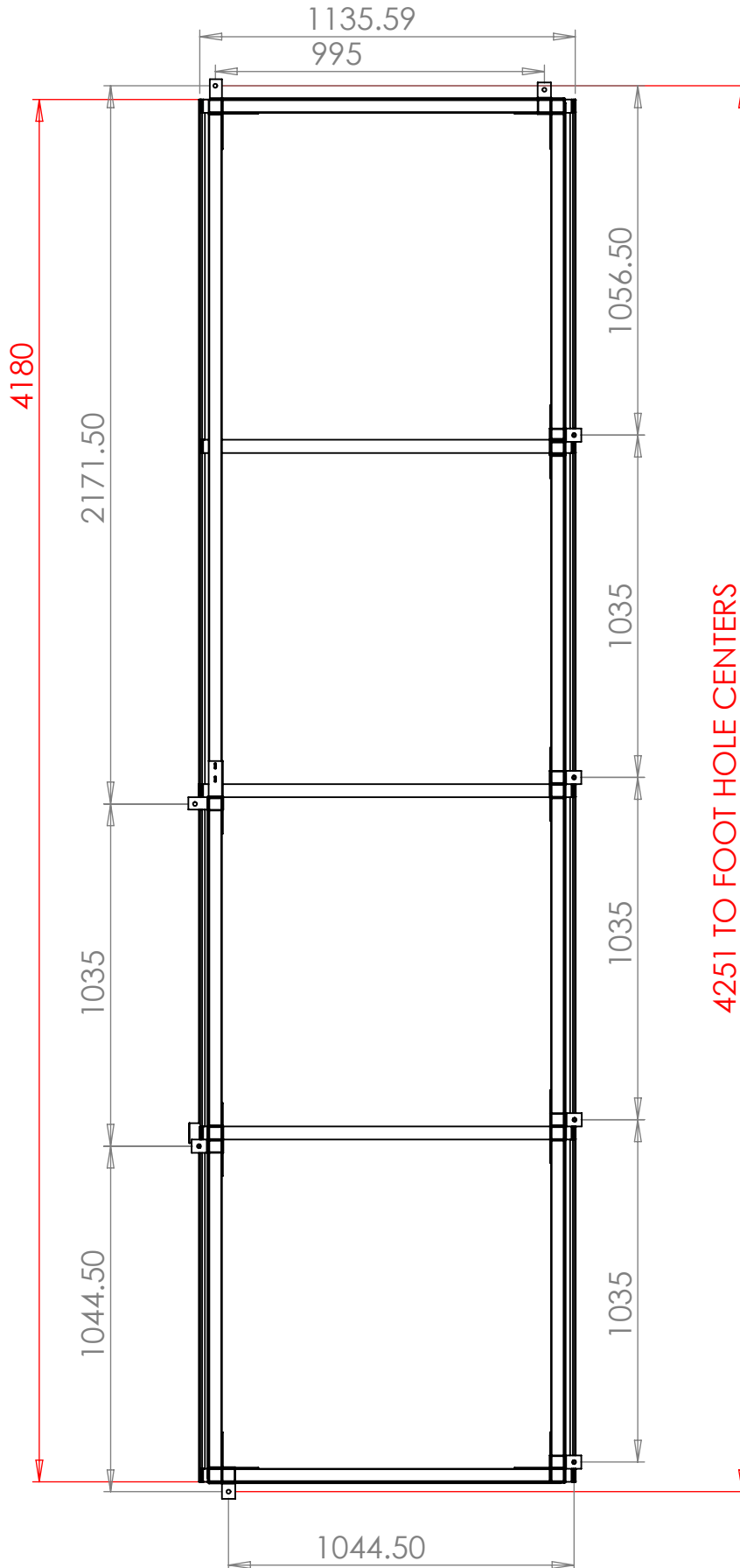


Step 4 Secure the roof panels in place by drilling the **RC1** strips directly into the frame of the shelter using the **Tech 50 screws**. Then apply the **2MD** edge trim along the bottom edges of the roof. Push fit the Black plastic caps on exposed nuts and bolts. Use a mallet to fit the square plastic end caps to any open ends of box sections.

GENERAL NOTE:
THE 50 mm TECH
SCREWS ARE
FOR FIXING ROOF
STRIPS (RC) ONLY



GROUND ANCHOR POSITIONS AND OVERALL SIZE
SUGESTED SIZE FOR BASE: 200mm OVERSIZES ON ALL 4 SIDES
Scale 1:20



Notes:

Notes:

Notes:

THANK YOU FOR PURCHASING THIS PRODUCT

MAINTENANCE:

To ensure your products give you many years of use we recommend that you:

- Clean panels regularly with soapy water
- Ensure all fitting are tight (for example after a big storm)
- Touch up any exposed metal should it get scratched

CONTACT DETAILS:

Email : Sales@shelter4less.co.uk

Web : www.shelters4less.co.uk

Tel : 0800 160 1002

Shelters4Less, Unit 3, 2 Lansdowne Crescent, Bournemouth, BH1 1SA

All Parts and Fixing checked by:	
Print Name:	Signature