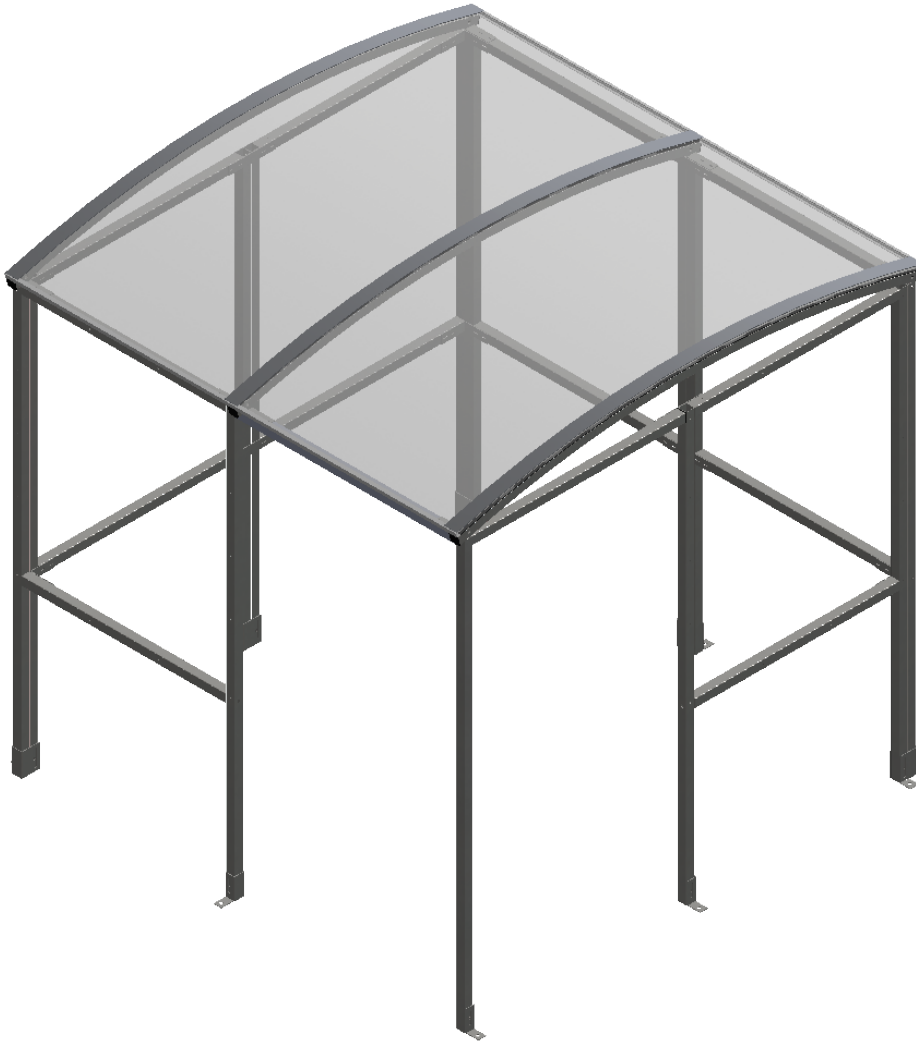


Assembly Instructions

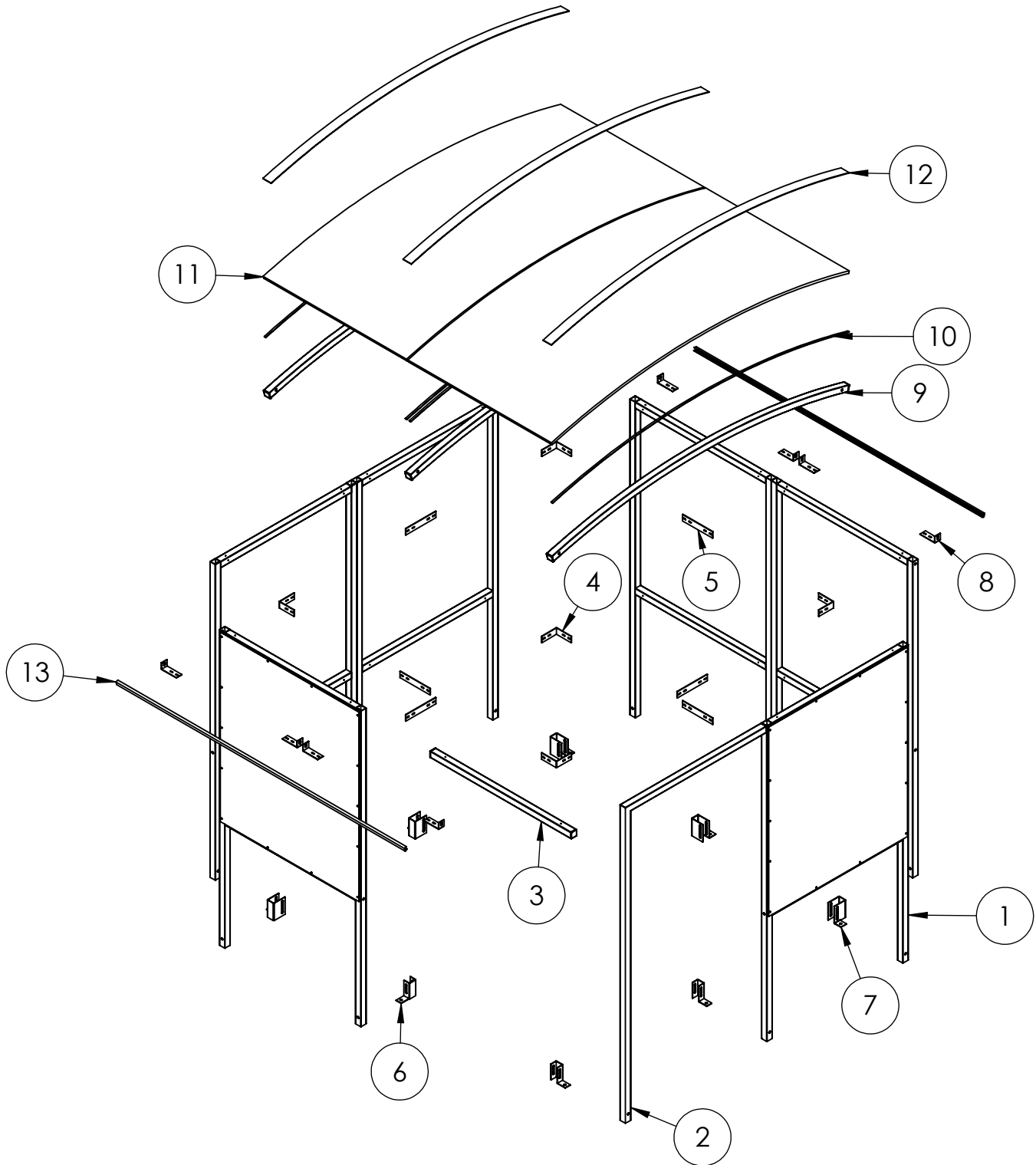


Email : Sales@shelters4less.co.uk
Web : www.shelters4less.co.uk
Tel : 0800 160 1002

Shelter type: SR1554

SR1554-03-260916-UK

EXPLODED VIEW AND TOOLS



Tools required:



Drill/Screwdriver



Mallet



Hack saw

Tools included:

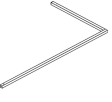
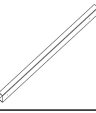
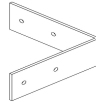
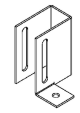
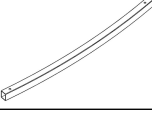
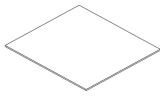
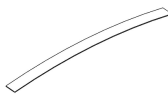
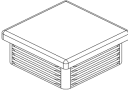









Spanner



Torx bit

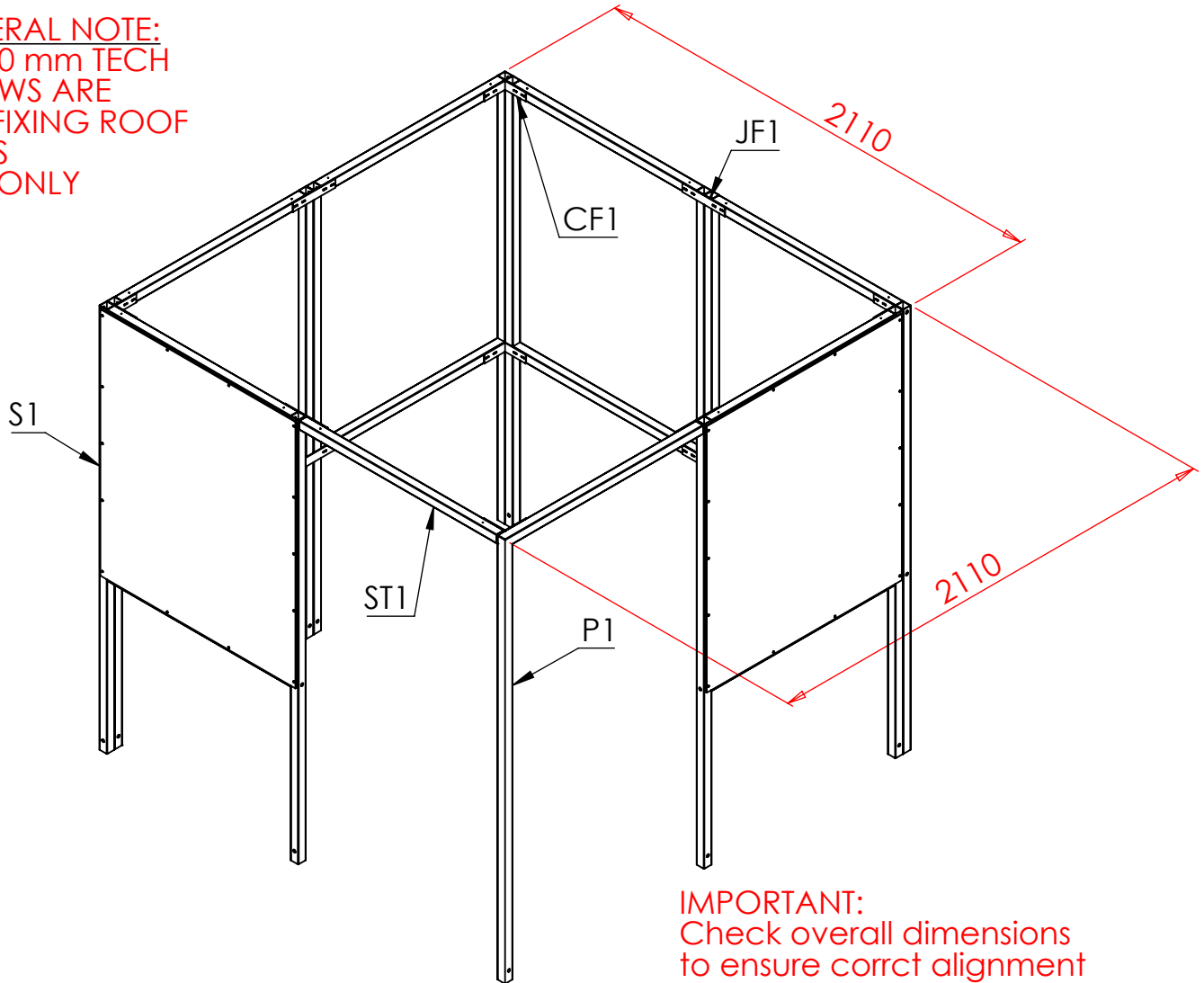
PARTS LIST

ITEM NO.	PART NO.	DESCRIPTION	DIMENSION	IMAGE	QTY.
1	S1	Frame	2000x1035		6
2	P1	Post	106x110x40		1
3	ST1	Roof Tie	Trim To 2195		1
4	CB1	Bracket	2000x1035		7
5	JF1	Bracket	110x110x40		6
6	FT1	Foot Bracket	109x100x40		3
7	FT3	Foot Bracket	109x100x80		5
8	RB1	Bracket	110x46		8
9	R2	Rafter	2200x40x40		3
10	SS	Sealing Strip	110x46		2 ROLLS
11	PCE2	Roof Panel	2205x1050		2
12	RC2	Roof Strip	2060x40x40		3
13	2MD	Roof Edge Trim	Trim To Fit		3
14	EC40	Plastic end Cap	2205x1030		9

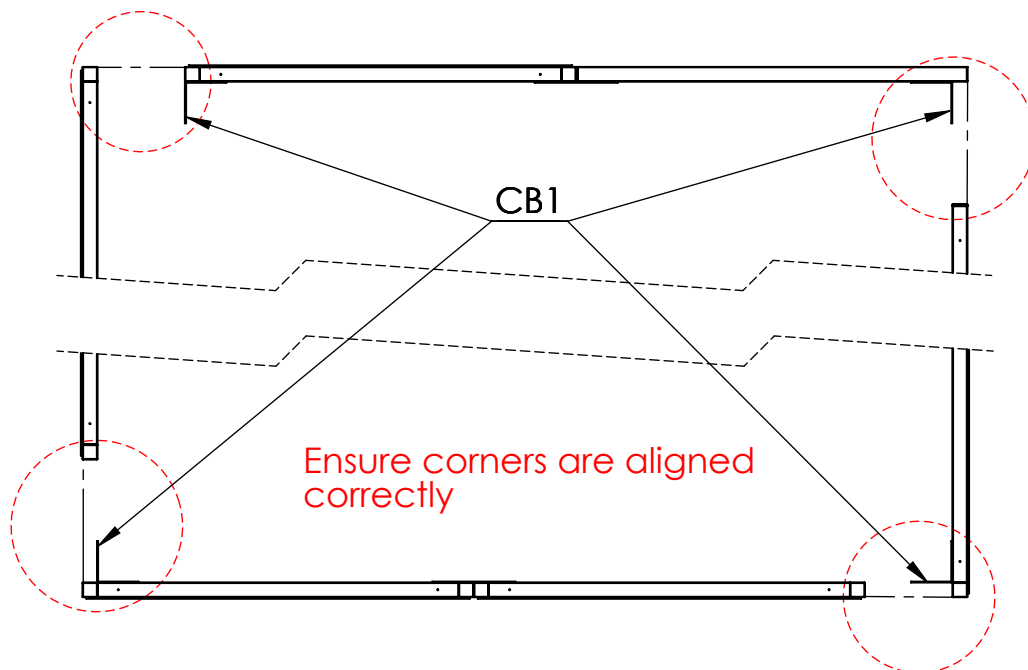
	Fittings	Bolt set M10	Nut	Washer	Black Cap	T25	T50	AB1210
		M10 x 60mm				25 mm Tech screw	50 mm Tech screw	M10/12 x 10mm Concrete Bolt
Pack A		30	30	60	60	72	30	8
Required		14	14	28	28	68	30	8
Spare		16	16	32	32	4	0	0
Image								

Step 1 Assemble **S1** frames to make up the main structure using **CB1** brackets in the corners and **JF1** brackets on straight joints. Then attach **P1** Post using one **JF1** bracket.
Then attach **ST1** Tie bar using a **JF1** bracket and one **CB1** bracket.

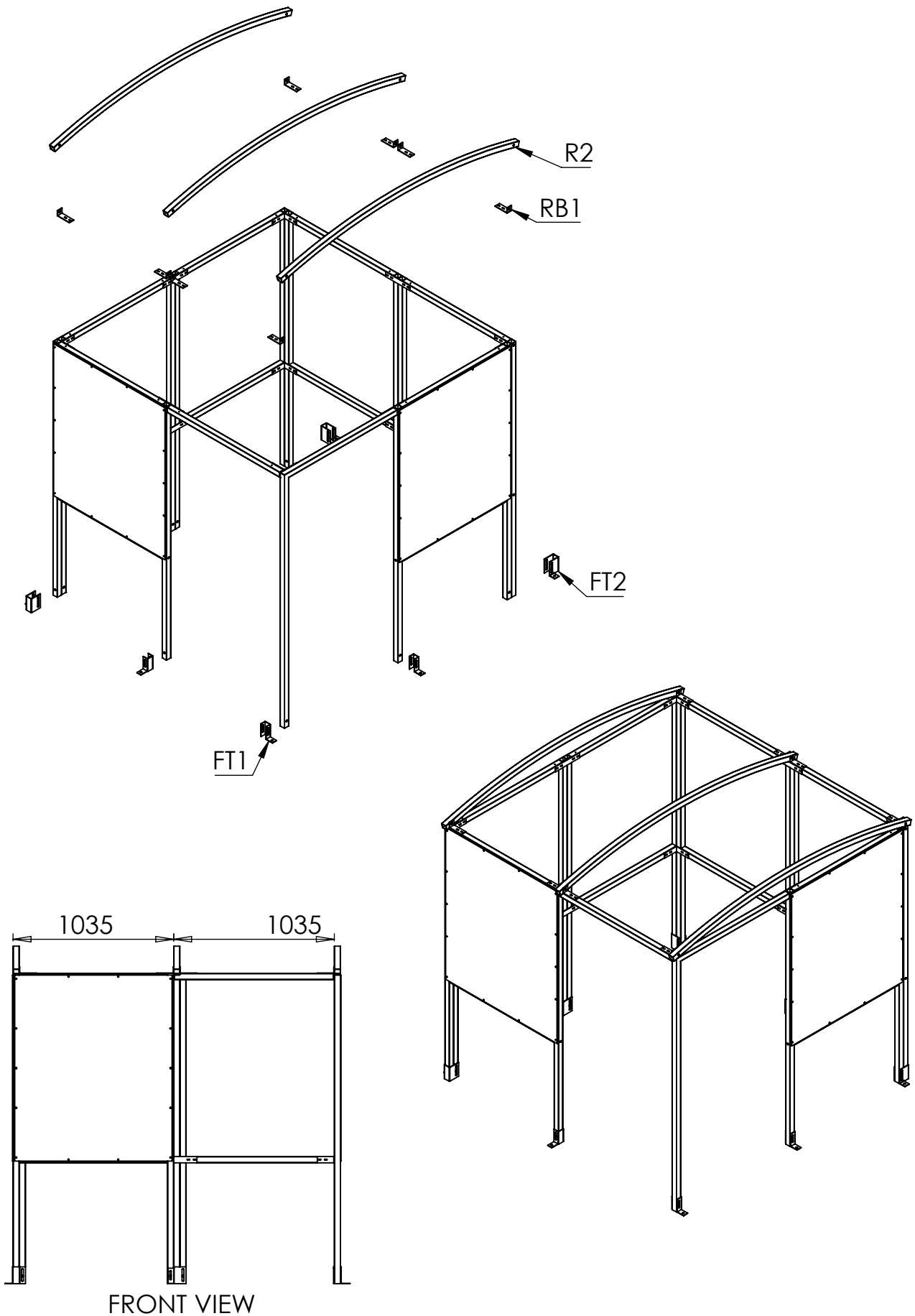
GENERAL NOTE:
THE 50 mm TECH
SCREWS ARE
FOR FIXING ROOF
STRIPS
(RC) ONLY



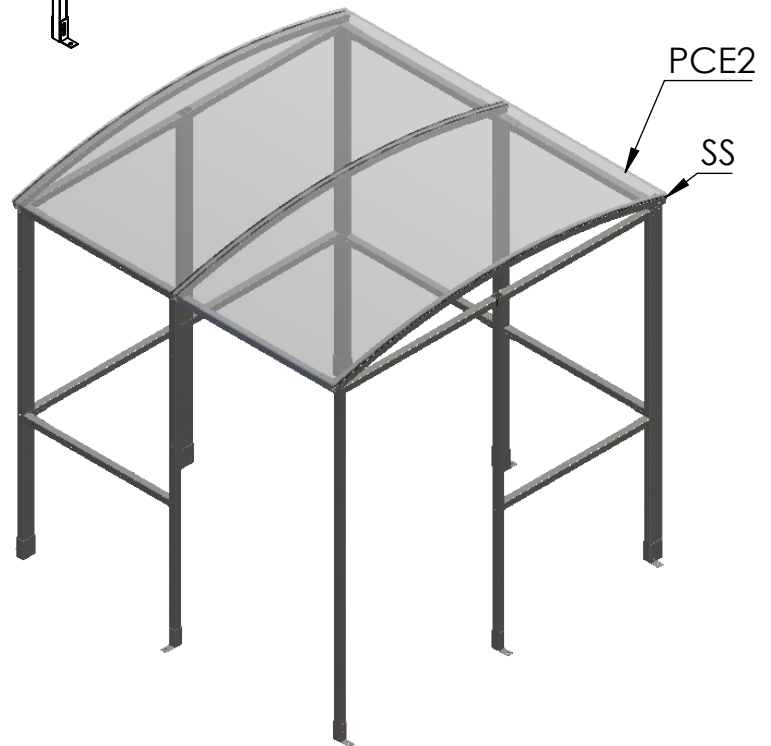
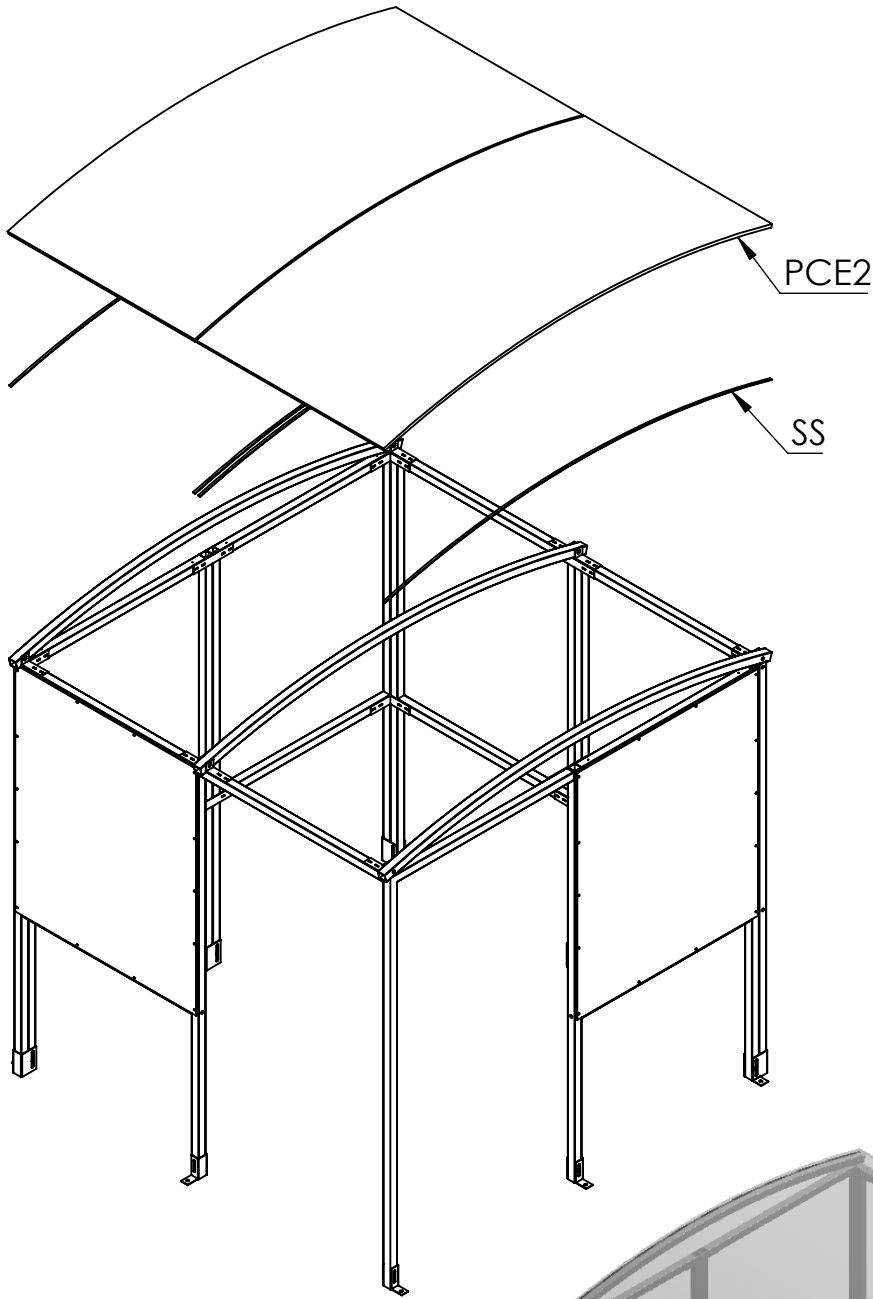
IMPORTANT:
Check overall dimensions
to ensure correct alignment



Step 2 Move shelter in to its final position, make sure everything is square and secure to the floor using **FT1** and **FT3** foot brackets. Attach **R2** roof rafters using **RB1** brackets.

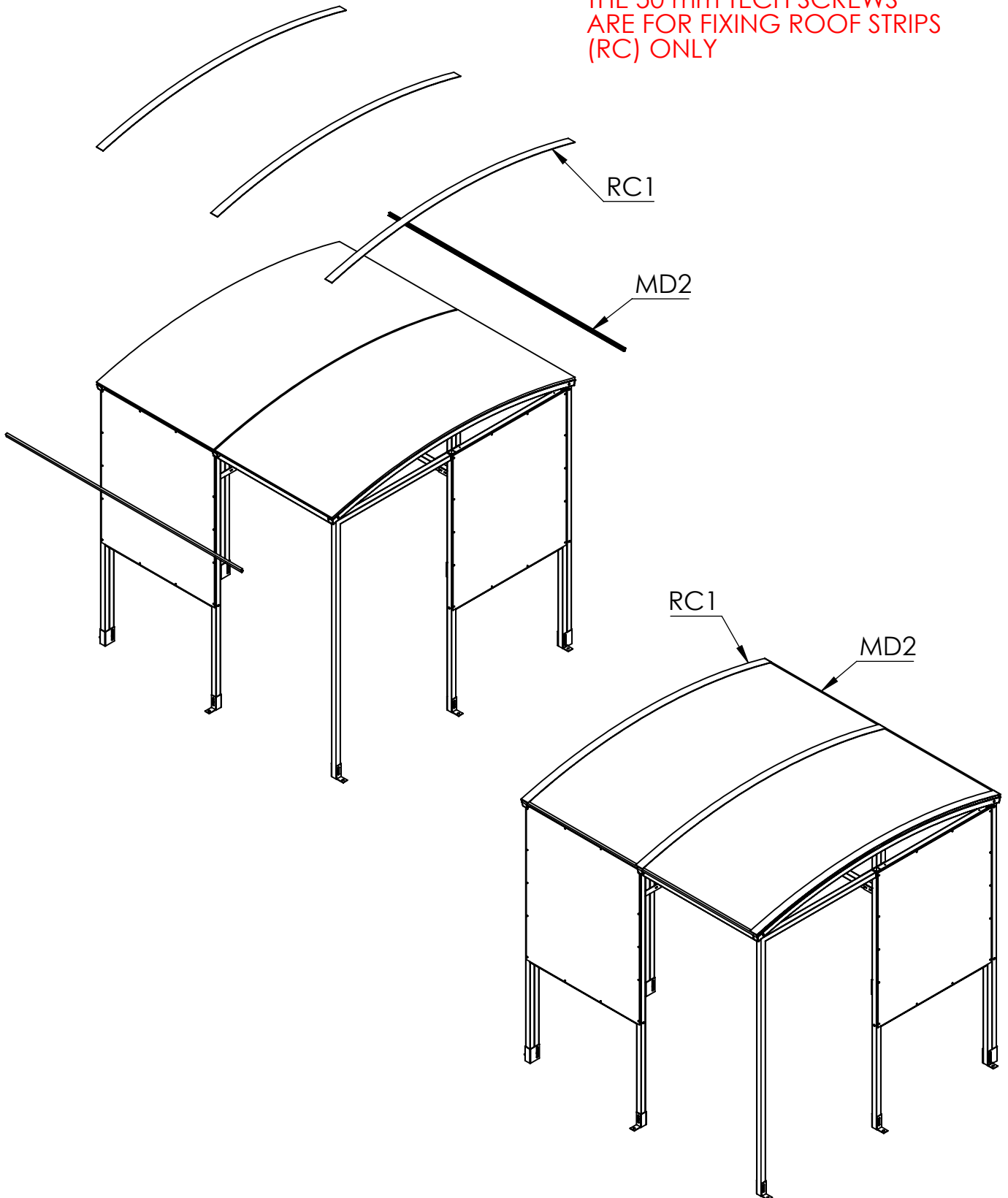


Step 3 Apply **SS** sealing strips to the rafters (two for central rafter) and line up the **PCE2** roof panels to the outside of the shelter, leaving a gap between them. Apply more sealing strips to the top of the roof panel directly above the first strips.



Step 4 Apply **RC2** strips on top of the panels and use **50mm Tech screws** to secure them in place. Then clip on the **2MD** edge trim to the bottom of the roof panels. Then fit the Black plastic caps on exposed nuts and bolts. Fit the square plastic end caps to any open ends of box sections.

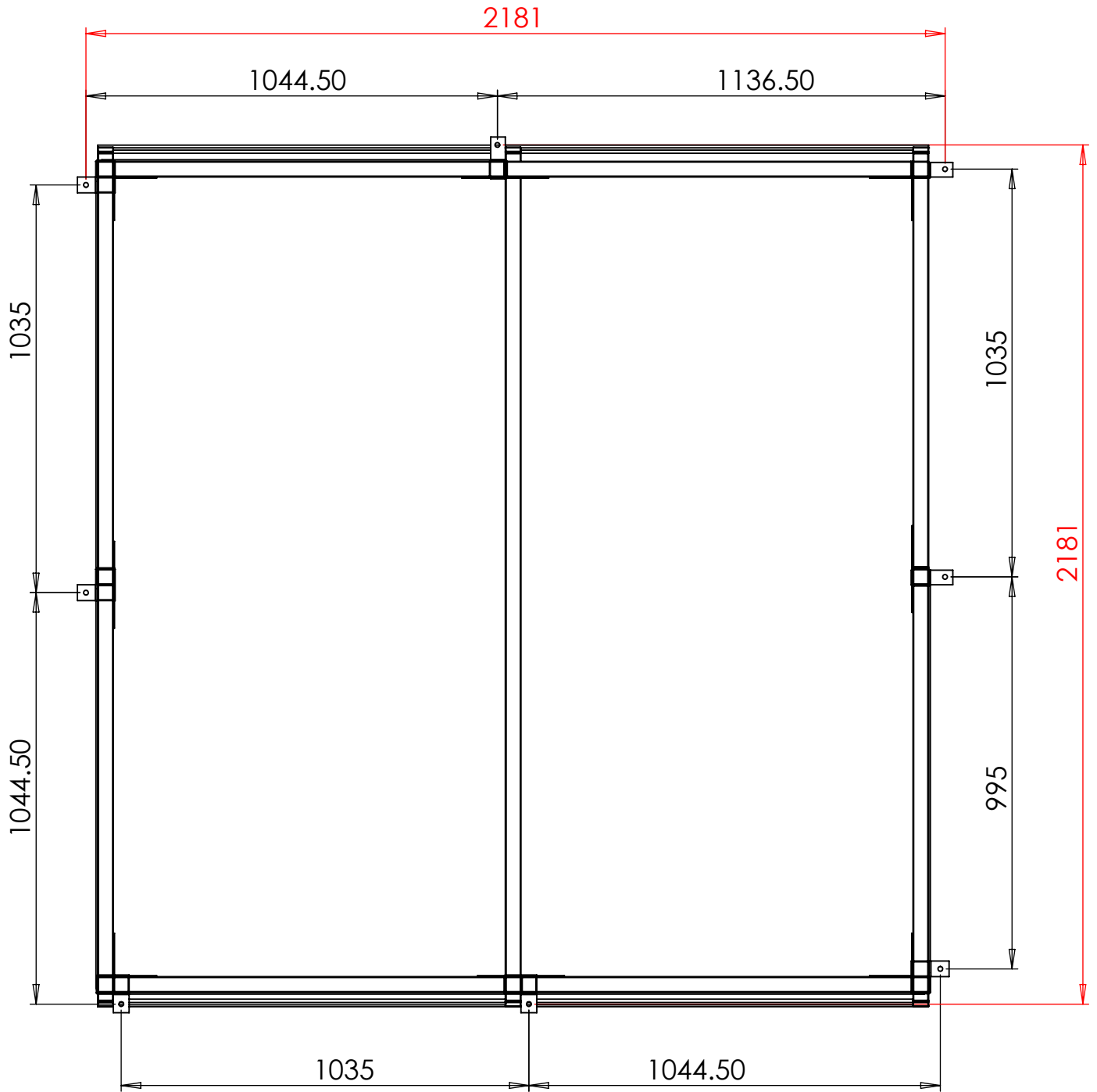
GENERAL NOTE:
THE 50 mm TECH SCREWS
ARE FOR FIXING ROOF STRIPS
(RC) ONLY



Ground anchor positions and overall size

Suggested concrete base size: 200mm oversized on all four sides

Scale 1:15



NOTES:

NOTES:

NOTES:

THANK YOU FOR PURCHASING THIS PRODUCT

MAINTENANCE:

To ensure your products give you many years of use we recommend that you:

- Clean panels regularly with soapy water
- Ensure all fittings are tight (for example after a big storm)
- Touch up any exposed metal should it get scratched

CONTACT DETAILS:

Email : Sales@shelter4less.co.uk

Web : www.shelters4less.co.uk

Tel : 0800 160 1002

Shelters4Less, Unit 3, 2 Landsdowne Crescent, Bournemouth, BH1 1SA

All Parts and Fixings checked by:	
Print Name:	Signature: