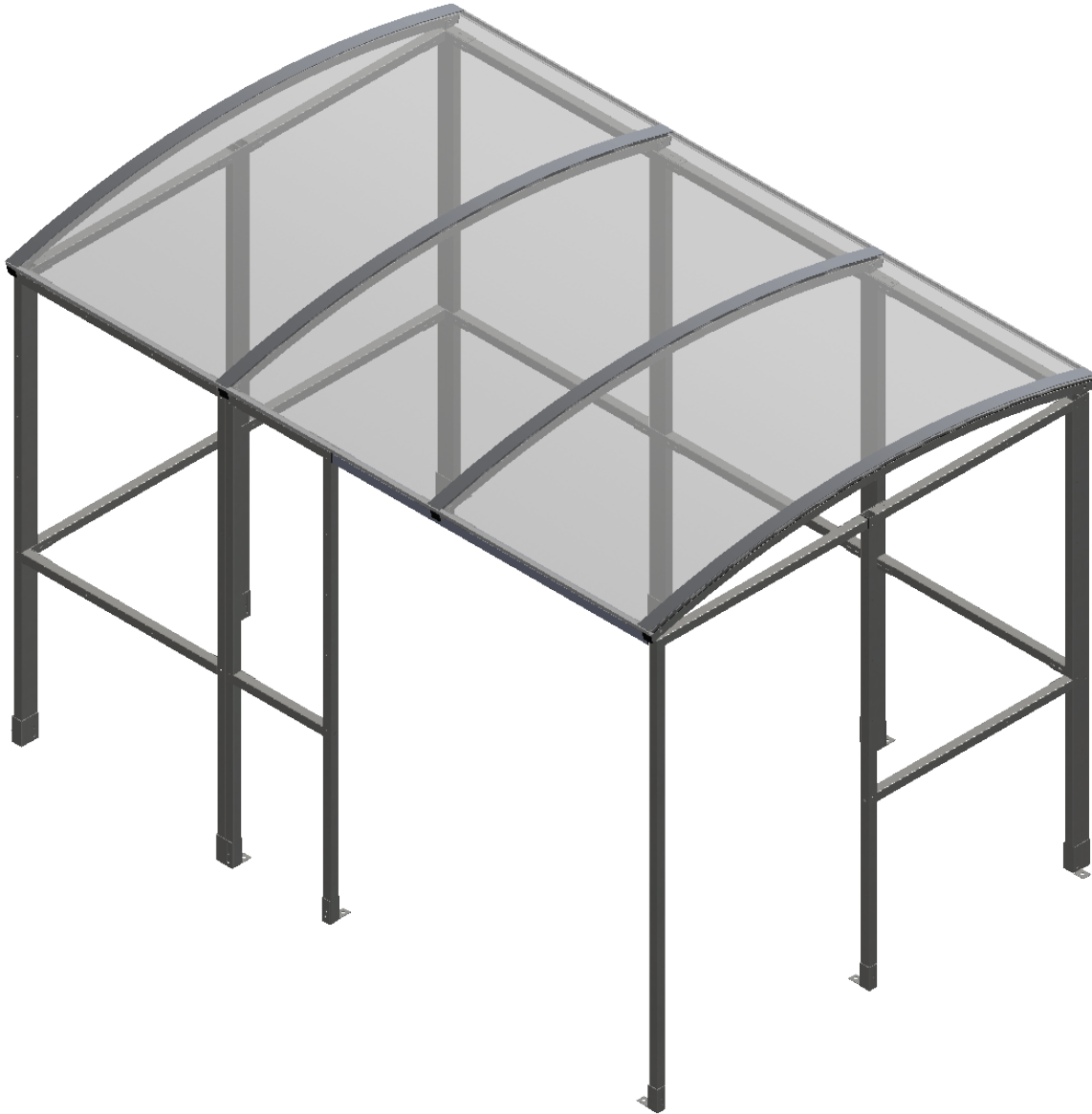
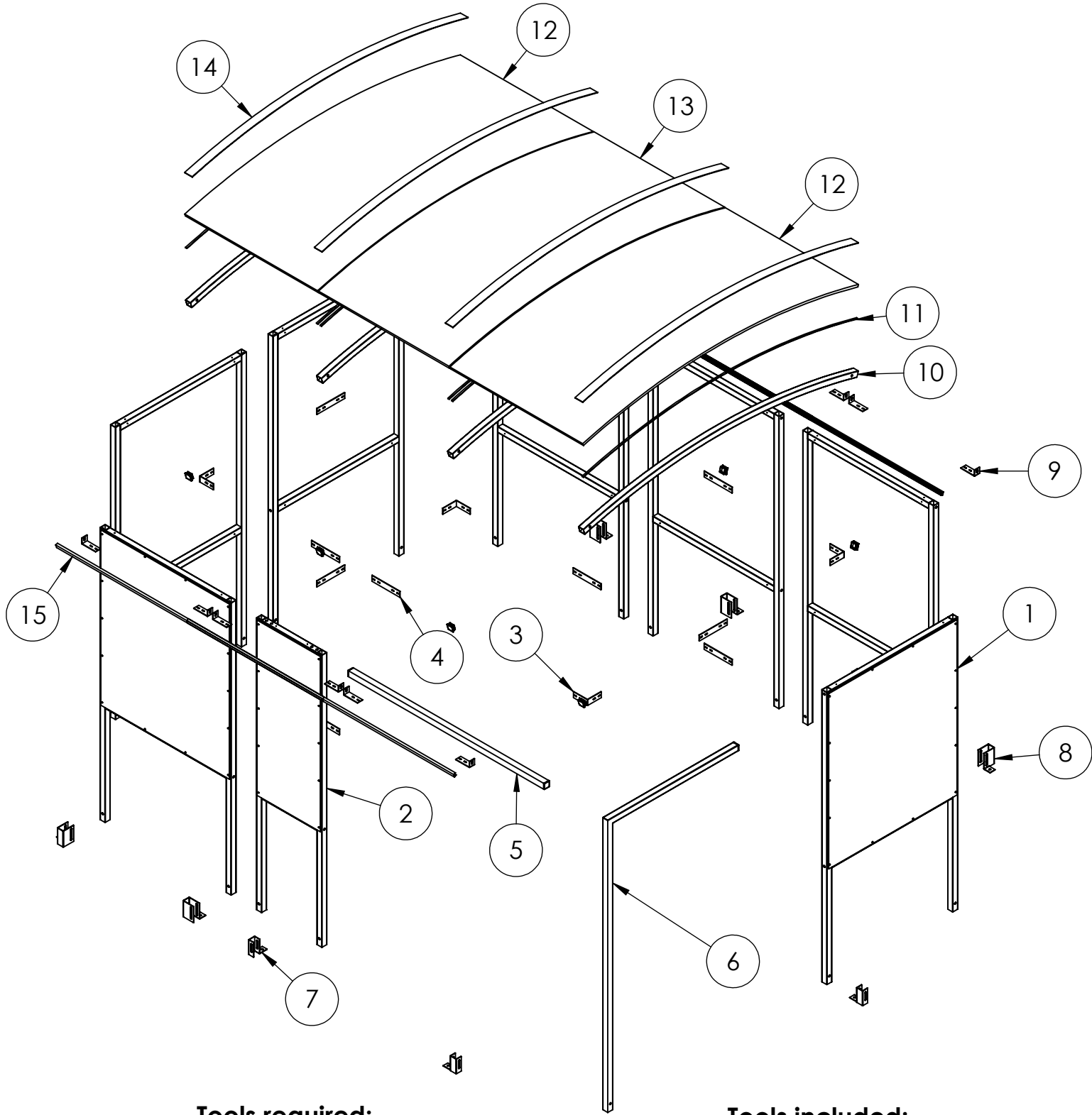


Assembly Instructions



Exploded View of Shelter



Tools required:



Drill/Screwdriver



Mallet



Hack saw

Tools included:


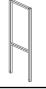
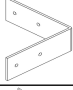
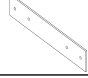

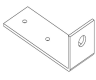


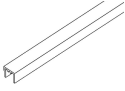




Wrench



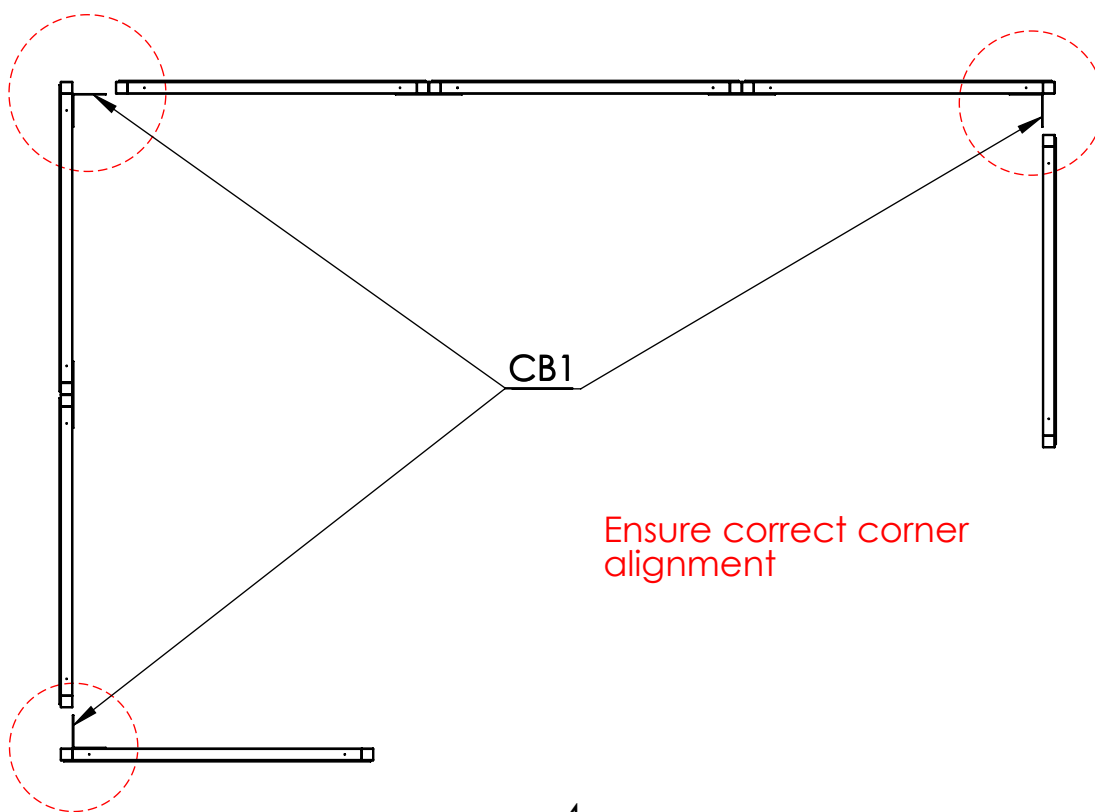
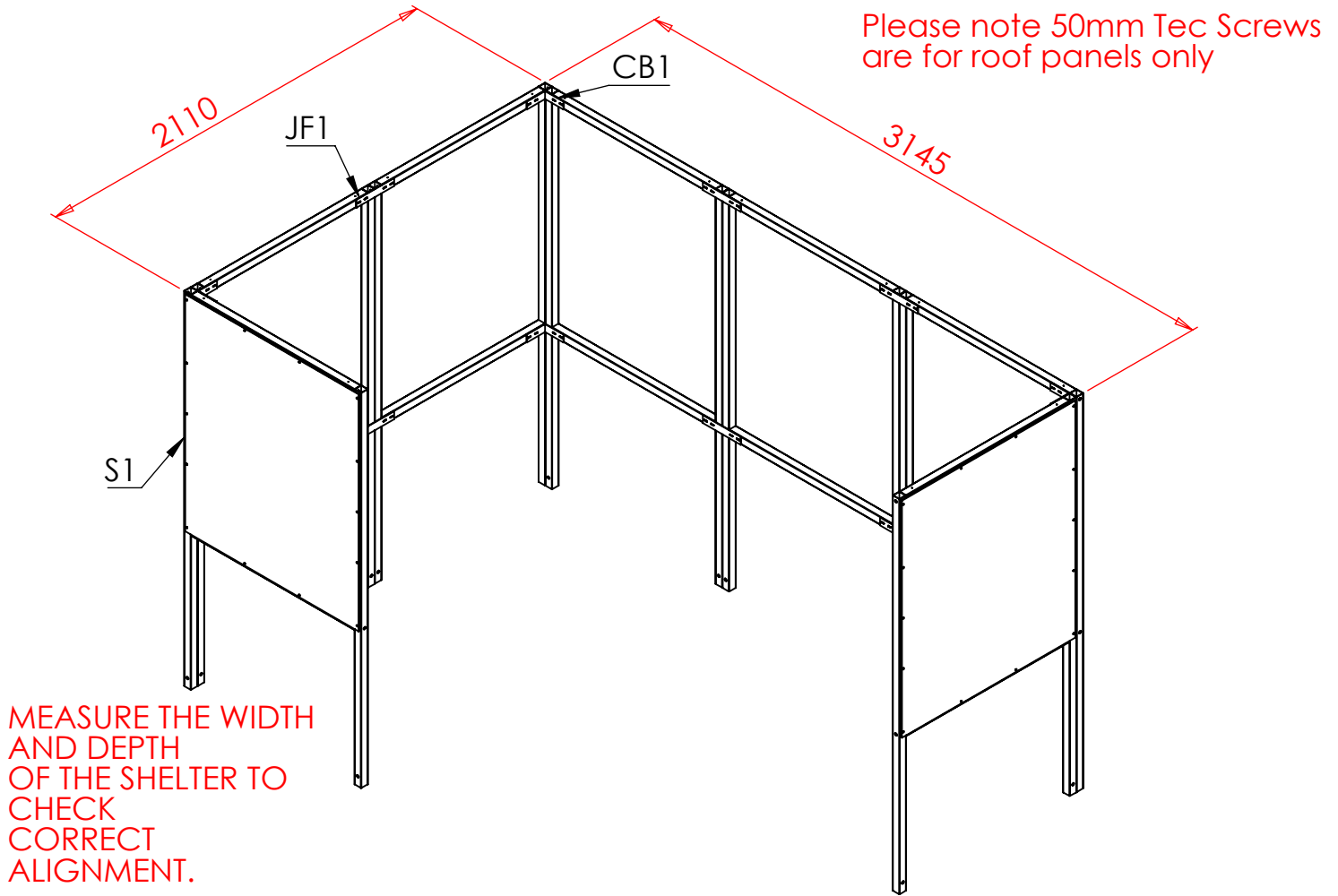
Torx bit

PARTS LIST AND FIXINGS

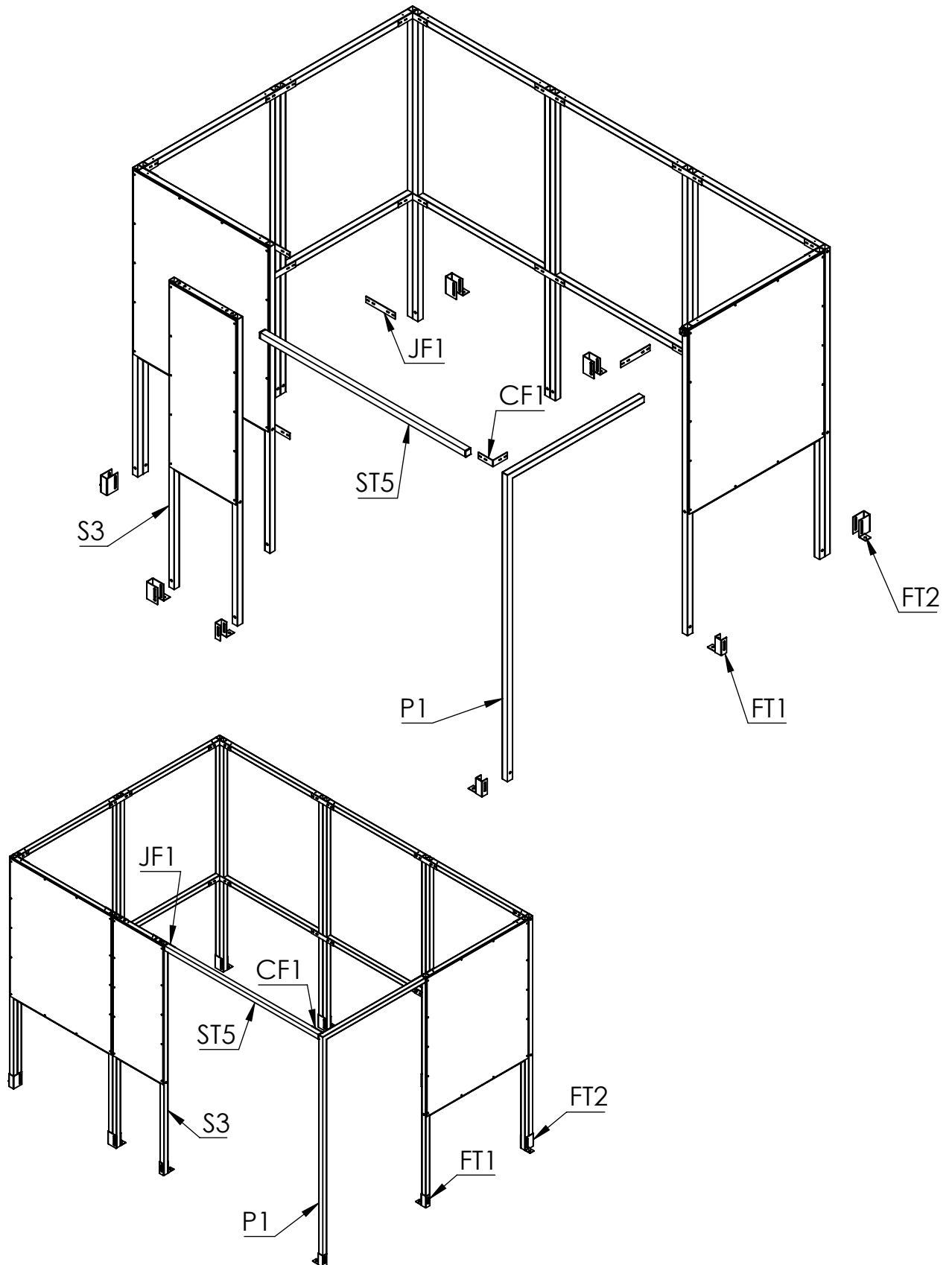
ITEM NO.	PART NO.	DESCRIPTION	DIMENSIONS	IMAGE	QTY.
1	S1	Frame	2000x1035		7
2	S3	Frame	2000x517		1
3	CB1	Bracket	106x110x40		7
4	JF1	Bracket	220x40		10
5	ST5	Roof Tie	2000x1035		1
6	P1	Post	110x110x40		1
7	FT1	Foot Bracket	1109x100x40		3
8	FT3	Foot Bracket	Trim To 2195		7
9	RB1	Bracket	2060x40x40		8
10	R2	Rafter	106x110x80		4
11	SS	Sealing Strip	110x46		3 ROLLS
12	PCE2	Roof Panel	2205x1050		2
13	PCC2	Roof Panel	2205x1030		1
14	RC2	Roof Strip	2205		4
15	2MD	Roof Edge Trim	Trim To Fit		5
16	EC40	Plastic End Cap	40x40		11

Fittings	Bolt set M10			T25	T50		BTANCM12100
	M10 x 60mm	Nut	Washer	25 mm Tech screw	50 mm Tech screw	Black Caps	M10/12 x 100 mm Concrete Bolt
Pack A+B	33	33	66	136	40	66	11
Required	28	28	56	72	32	56	8
Spare	5	5	10	64	8	10	3
Image							

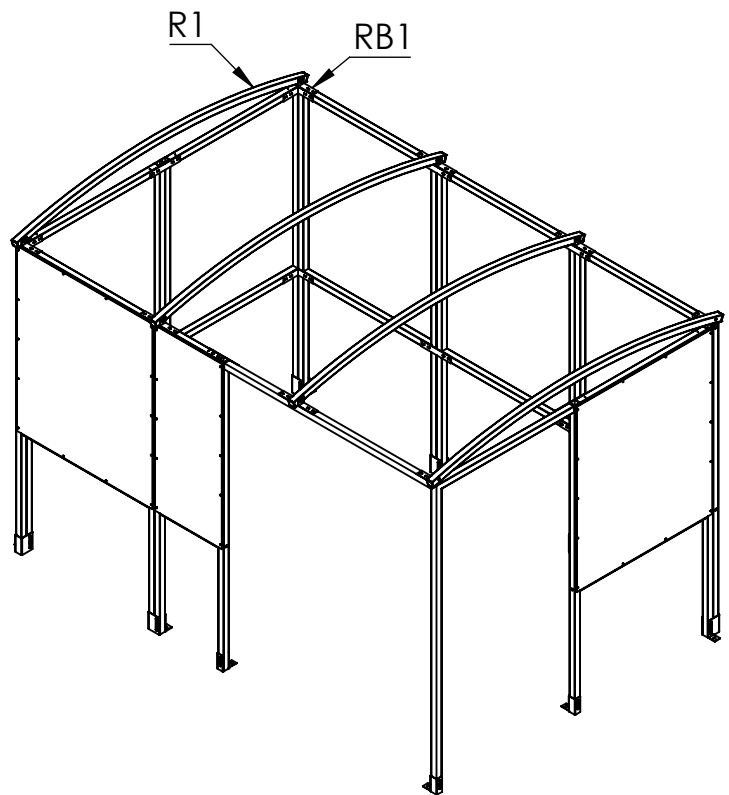
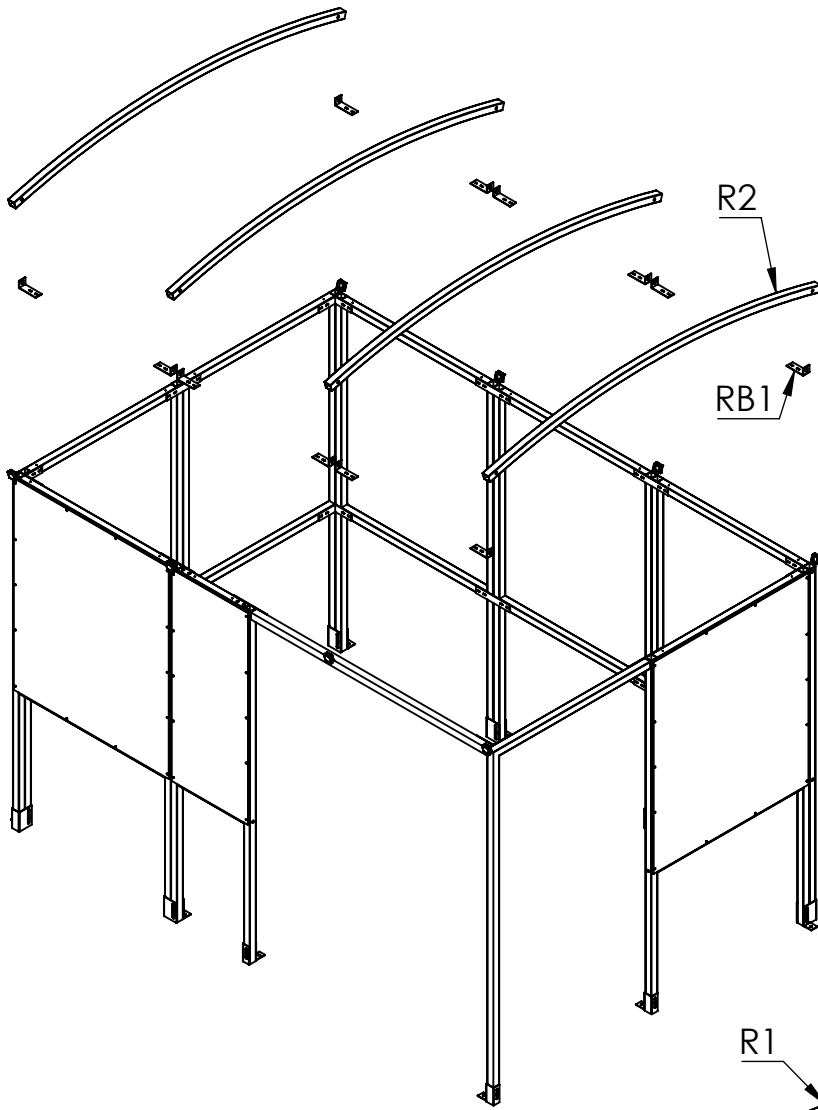
Step 1 Assemble **S1** frames to make up the main structure using **CB1** brackets for the Corners and **JF1** brackets for the straight joints.



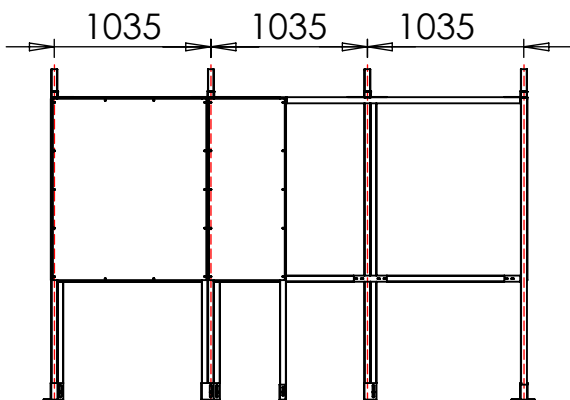
Step 2 Attach **P1** post using a **JF1** bracket then use two **JF1** brackets to attach **S3** frame. The **ST5** tie bar is mounted using a **CB1** and a **JF1** bracket. Make sure the structure is square then move the shelter to its final location before using the **FT1** foot brackets to secure it to the ground.



Step 3 Attach **R2** rafters using **RB2** brackets.

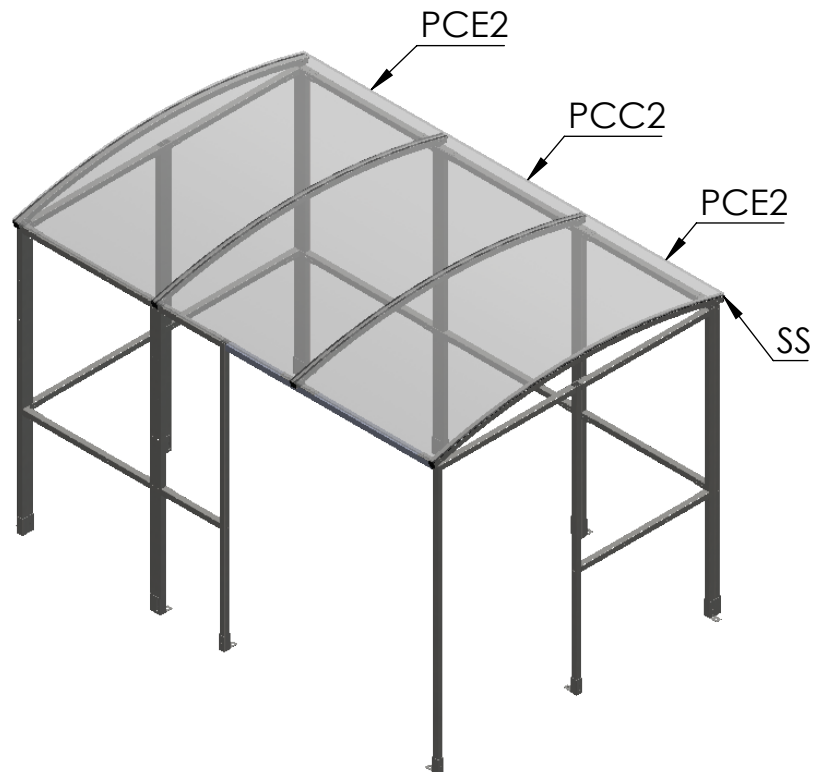
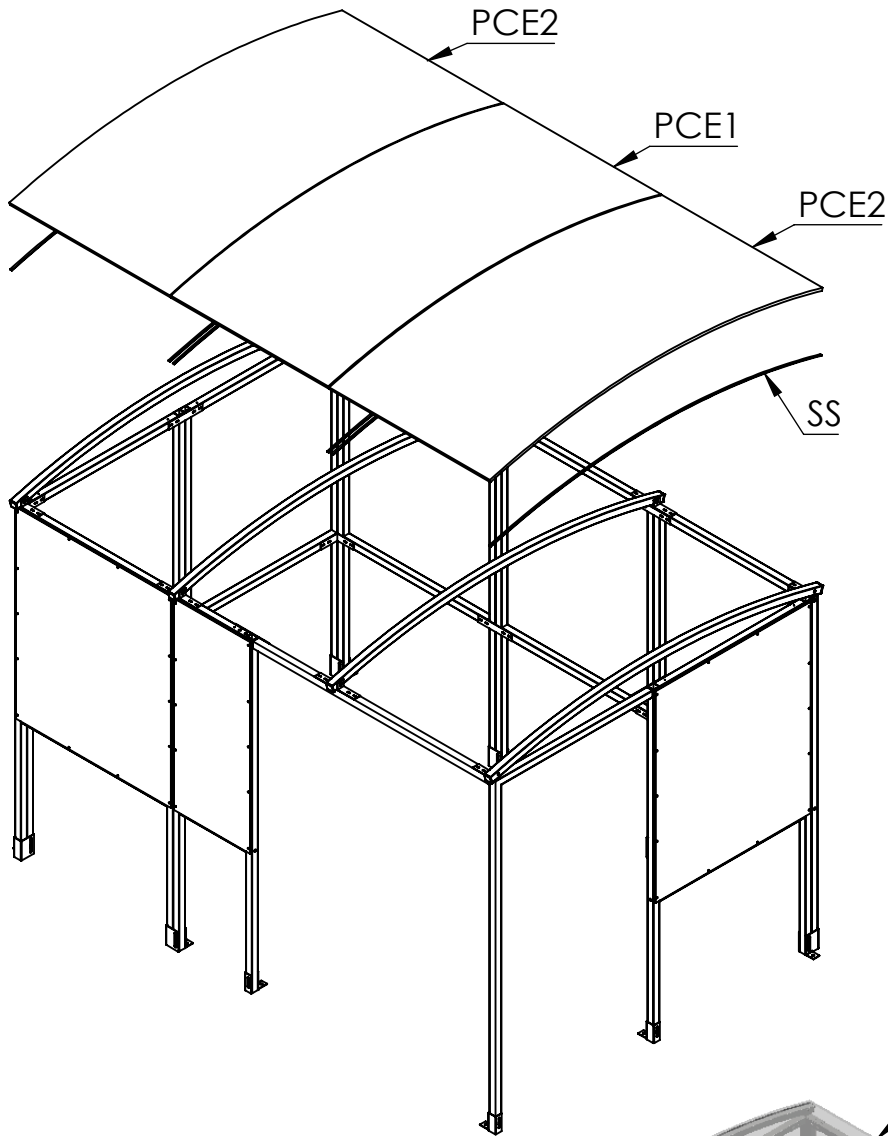


ENSURE
CORRECT
ALIGNMENT
OF RAFTERS

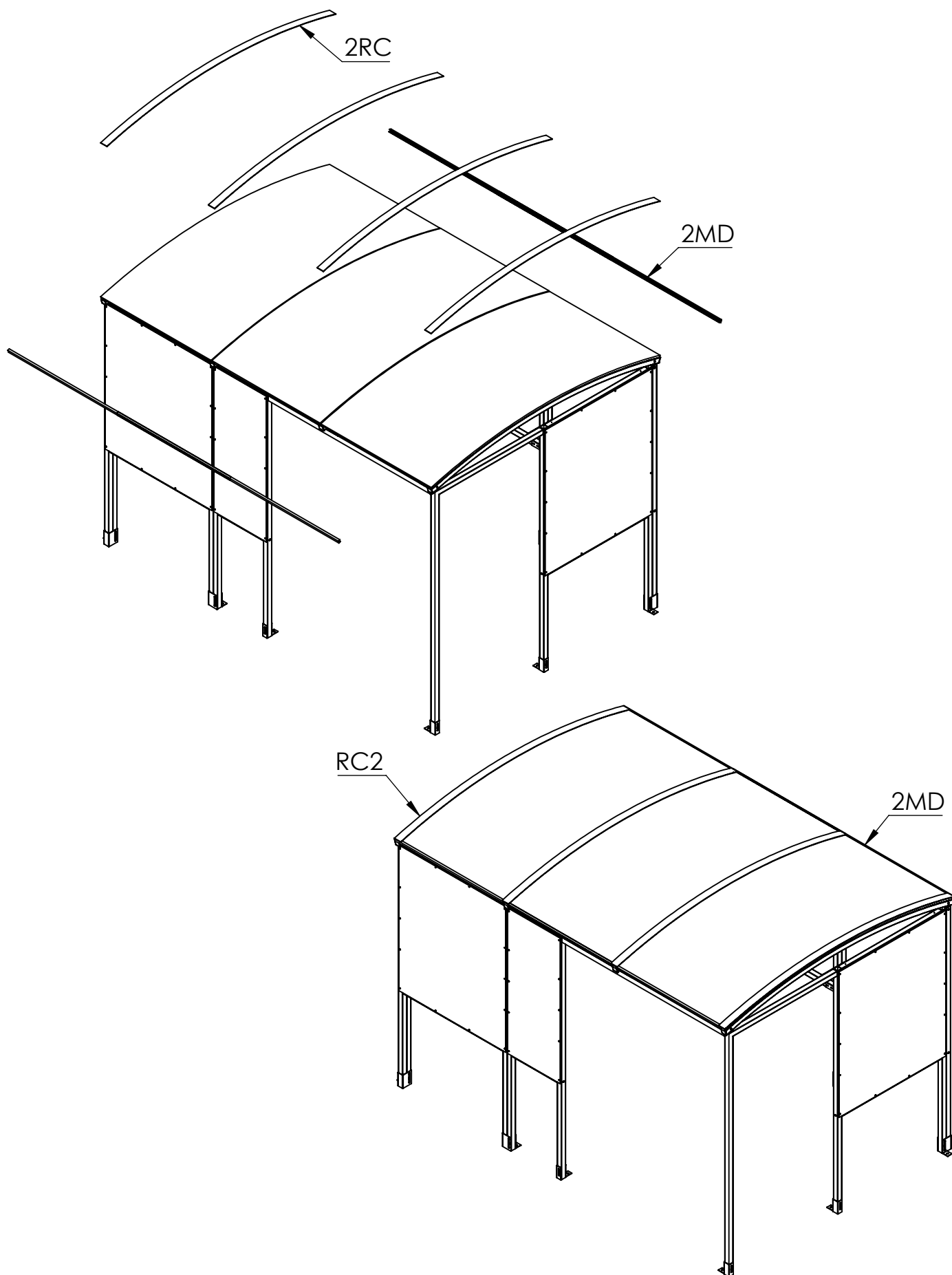


SIDE VIEW

Step 4 Stick sealing strips (**SS**) to the rafters. Align the **PCE2** roof panels with the outer roof rafters and equally space the **PCC2** panel in the middle. Apply more sealing strips to the top of the roof panels directly above the first strips.



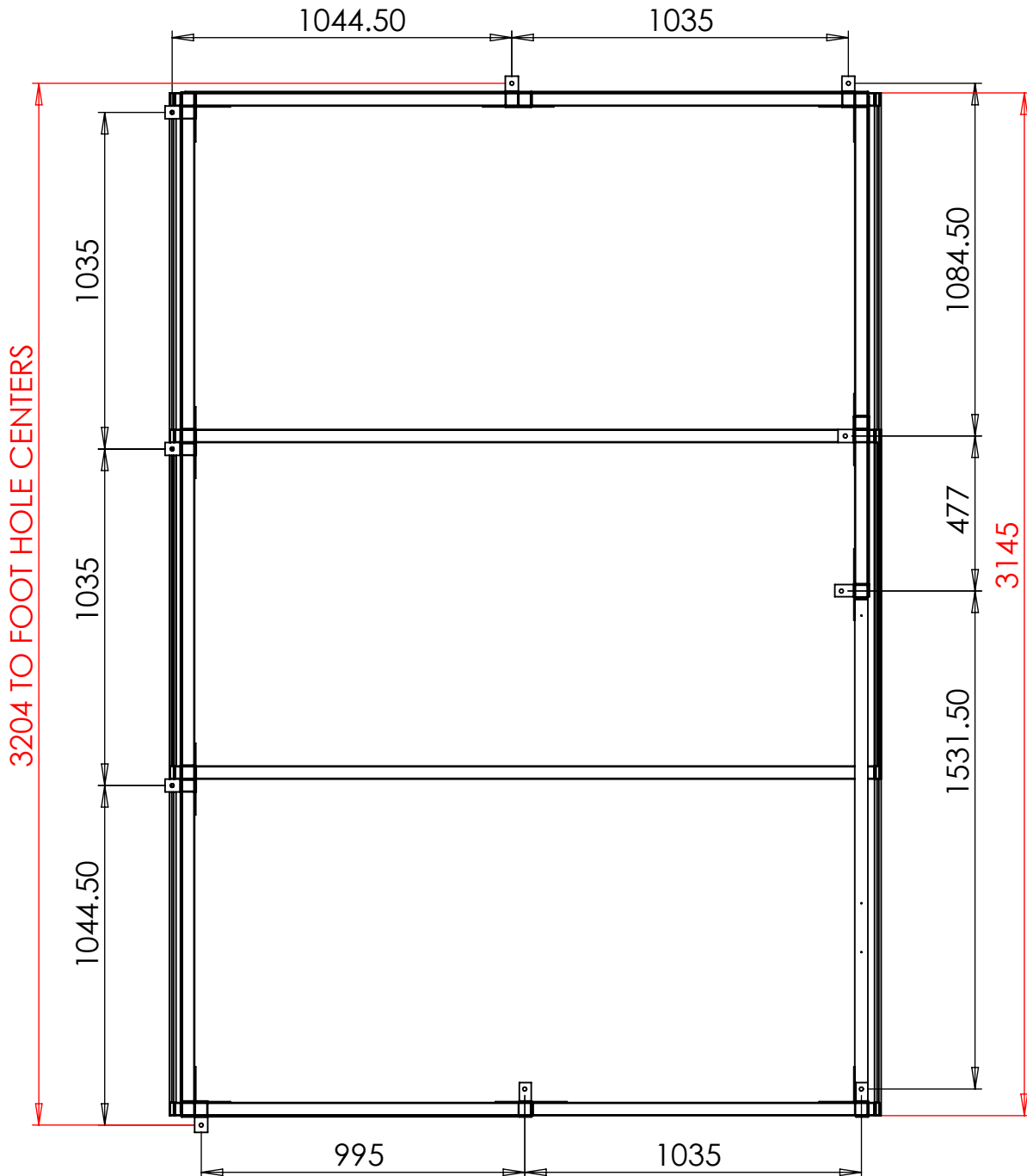
Step 5 Screw down the **RC2** directly into the rafter strips as shown below, using **50mm Tech screws**. Then apply the **2MD** edge trim to the bottom edges of the roof panels.



PLAN VIEW

OVERALL DIMENSIONS AND GROUND FIXING POSITIONS

Suggested size for concrete base: 200mm oversized on all 4 sides.



Notes:

Notes:

THANK YOU FOR PURCHASING THIS PRODUCT

MAINTENANCE:

To ensure your products give you many years of use we recommend that you:

- Clean panels regularly with soapy water
- Ensure all fittings are tight (for example after a big storm)
- Touch up any exposed metal should it get scratched

CONTACT DETAILS:

Email : Sales@shelter4less.co.uk

Web : www.shelters4less.co.uk

Tel : 0800 160 1002

Shelters4Less, Unit 3, 2 Landsdowne Crescent, Bournemouth, BH1 1SA

All Parts and Fixings checked by:	
Print Name:	Signature: