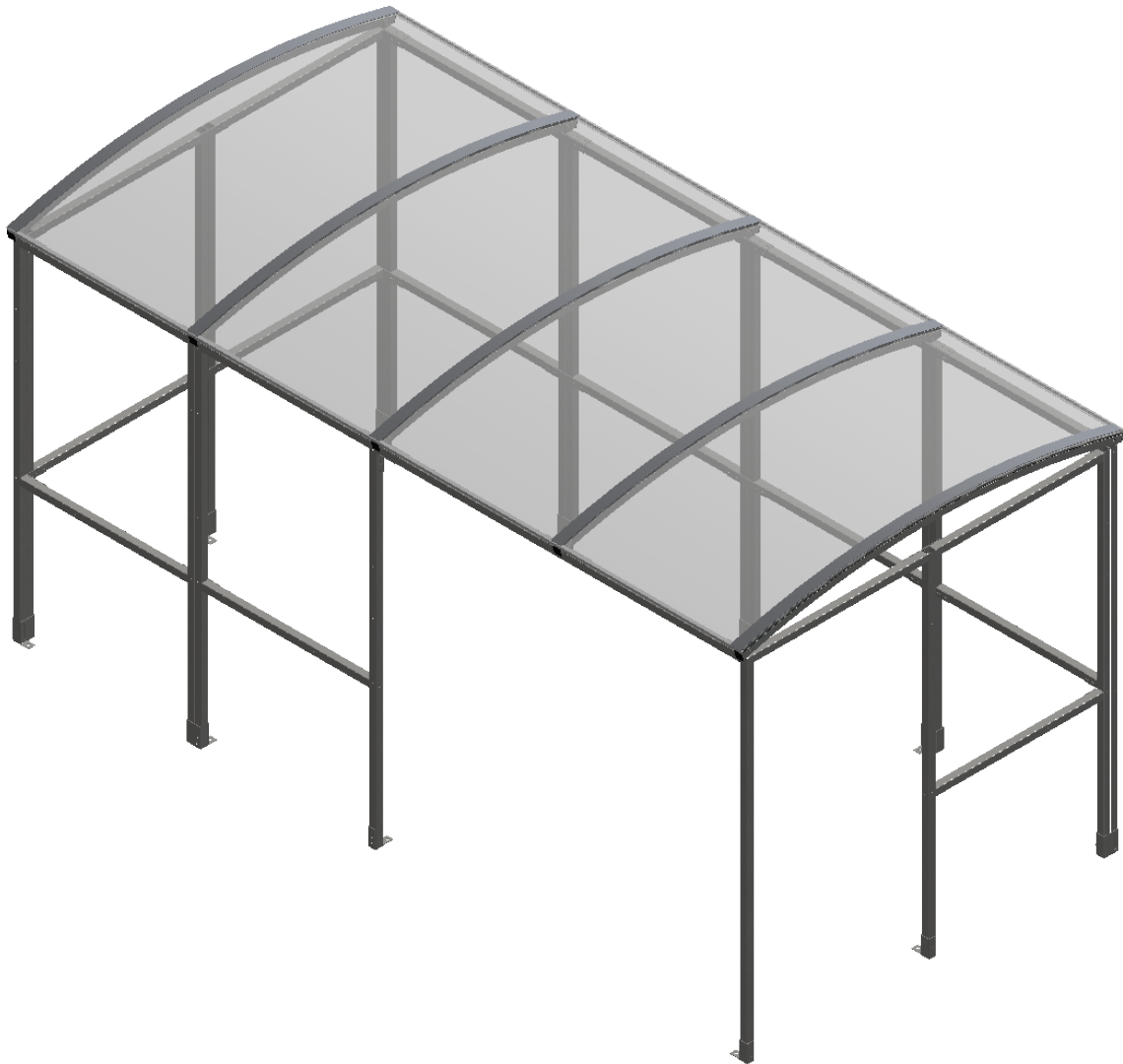


Assembly Instructions

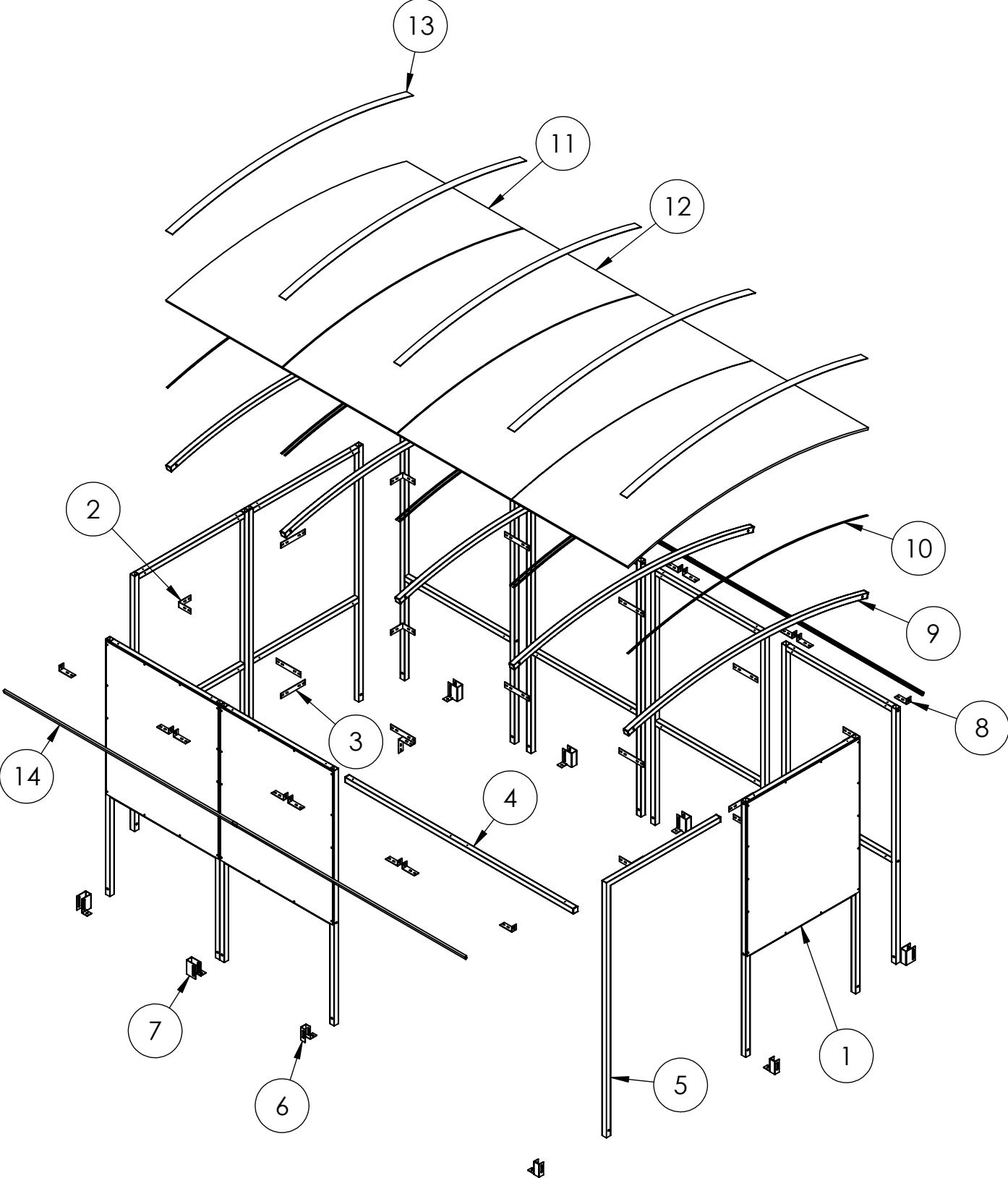


Email : Sales@shelters4less.co.uk
Web : www.shelters4less.co.uk
Tel : 0800 160 1002



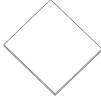
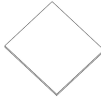
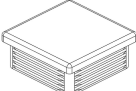
Shelter type: SR1556

SR1556-01-190116-UK


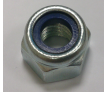





EXPLODED VIEW



PARTS LIST

ITEM NO.	PART NO.	DESCRIPTION	DIMENSION	IMAGE	QTY.
1	S1	Frame	2000x1035		9
2	CB1	Bracket	110x110x40		7
3	JF1	Bracket	220x40		12
4	ST3	Roof Tie	2060x40x40		1
5	P1	Post	2000		1
6	FT1	Foot Bracket	106x110x40		3
7	FT3	Foot Bracket	106x110x80		8
8	RB1	Bracket	110x46		16
9	R2	Rafter	2200x40x40		5
10	SS	Sealing Strip	Trim To 2195		4 ROLLS
11	PCE2	Roof Panel	2205x1050		2
12	PCC2	Roof Panel	2205x1030		2
13	RC2	Roof Strip	2205		5
14	2MD	Roof Edge Trim	Trim To Fit		5
15	EC40	Plastic End Cap	40x40		13

Fittings/Tools

	Bolt set M10				T25	T50	AB1210
	M10 x 60 mm	Nut	Washer	Black Cap	25 mm Tech screw	50 mm Tech screw	M10/12 x 100mm Concrete Bolt
Pack A+B	40	40	80	80	136	66	13
Required	21	21	42	42	112	50	11
Spare	19	19	38	38	24	16	2
Image							

Tools required:



Drill/Screwdriver



Mallet



Hack saw

Tools included:



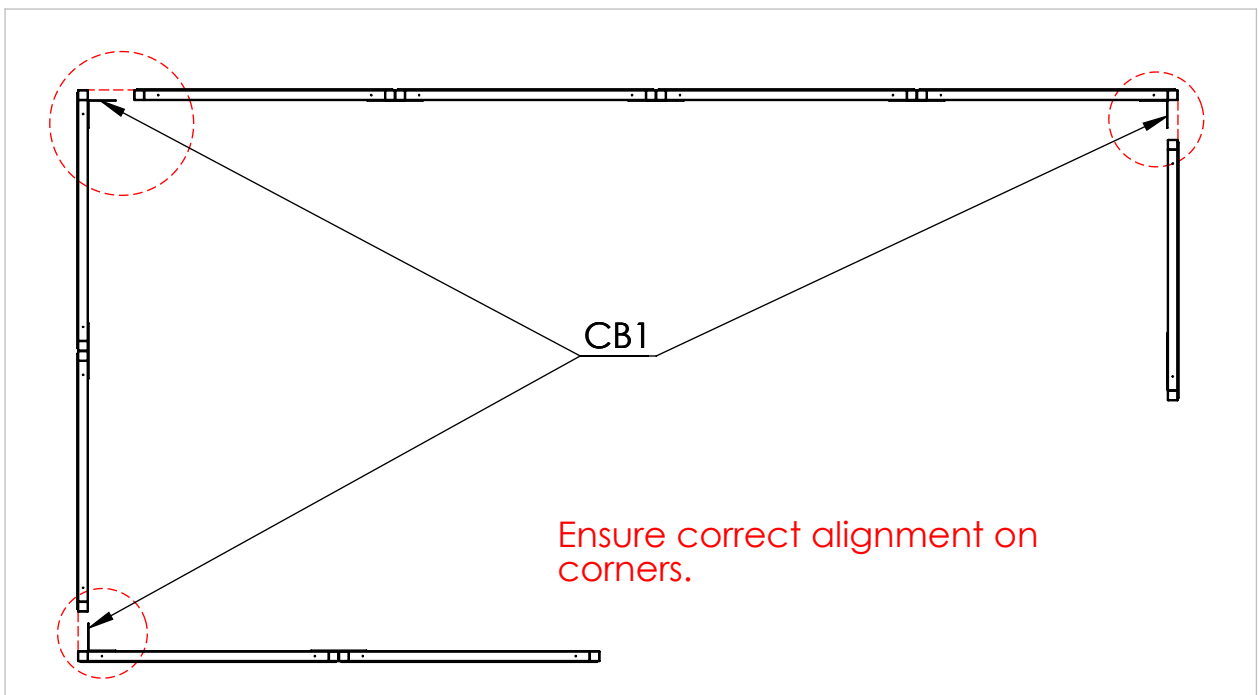
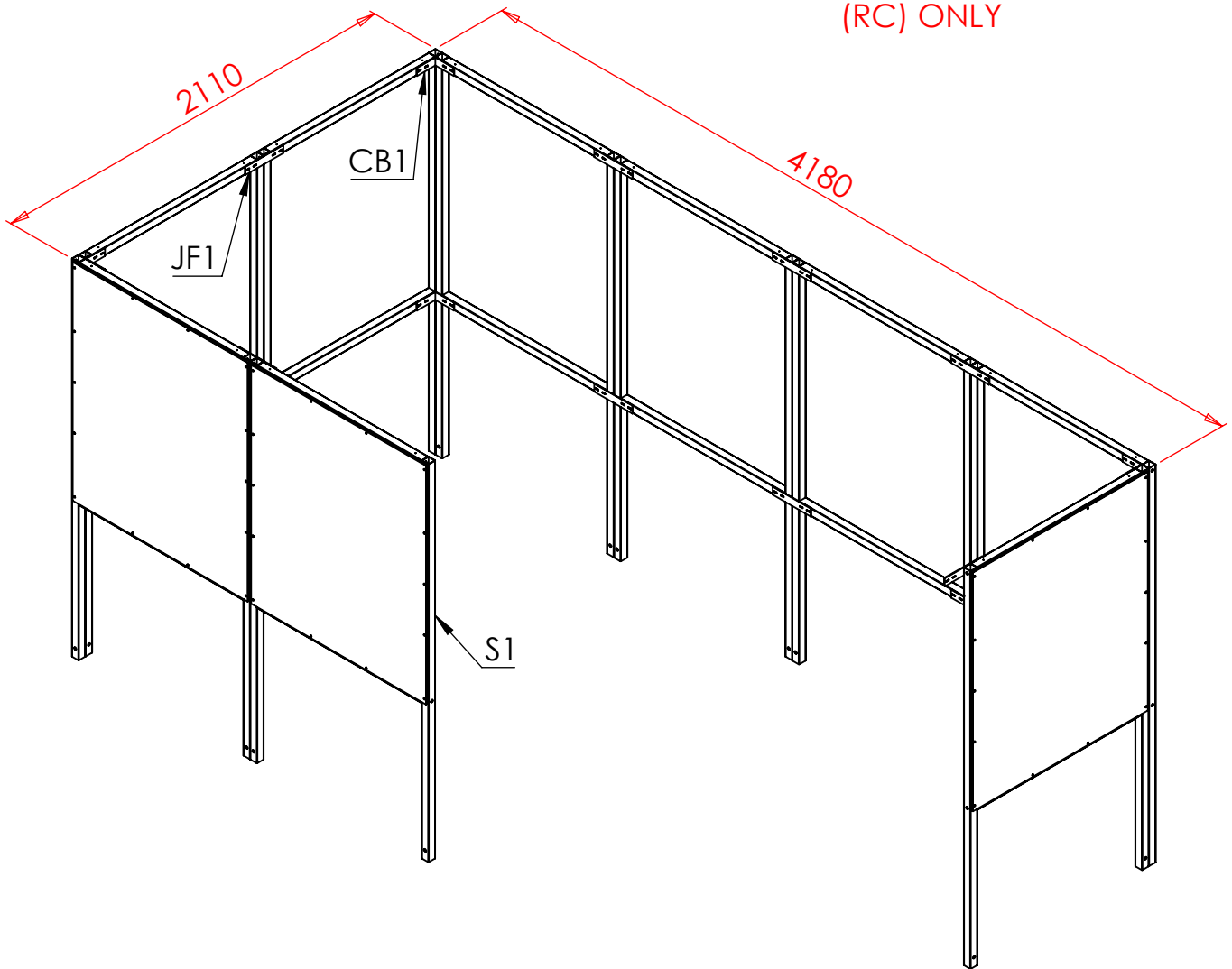
Spanner



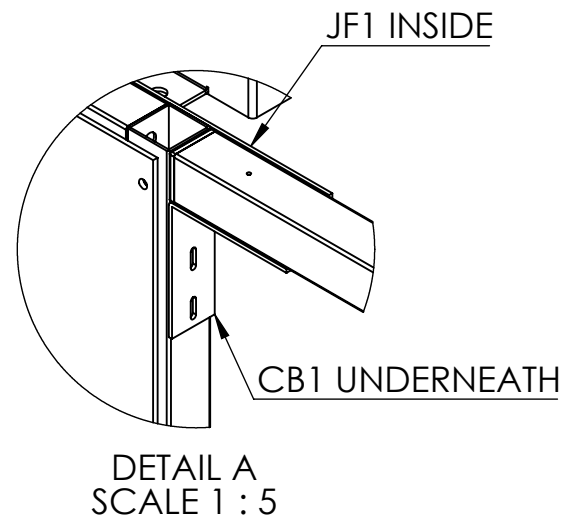
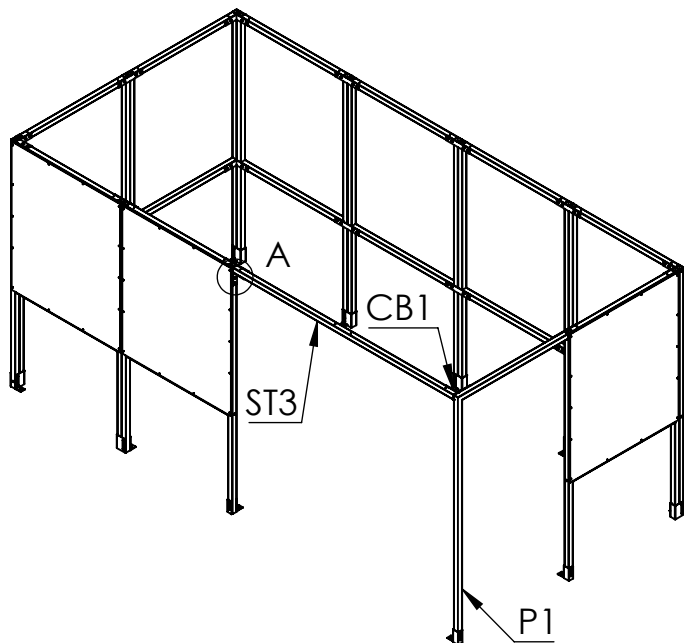
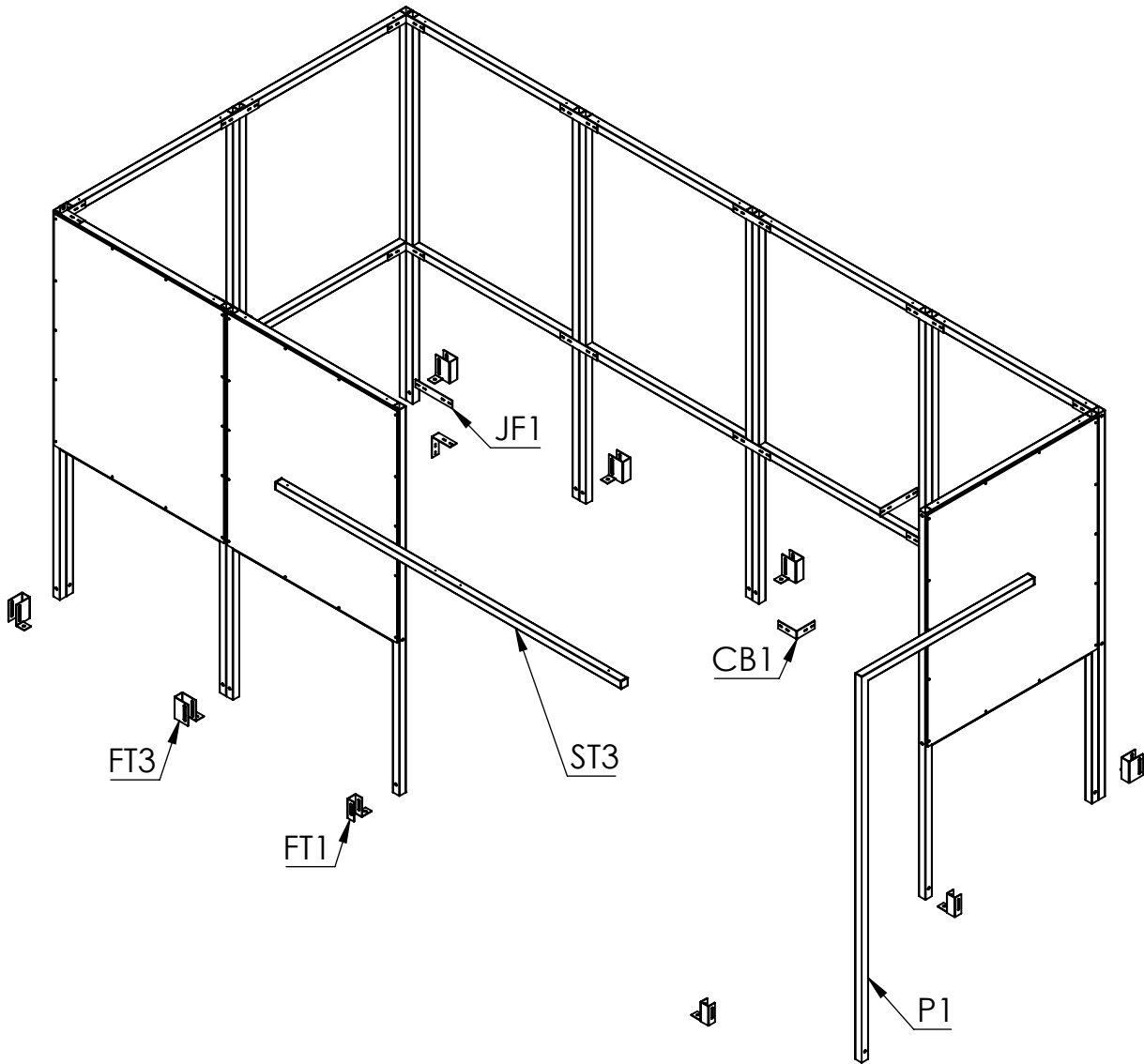
Torx bit

Step 1 Assemble **S1** frames to make up the main structure using **CB1** brackets for the corners and **JF1** brackets for the straight joints.

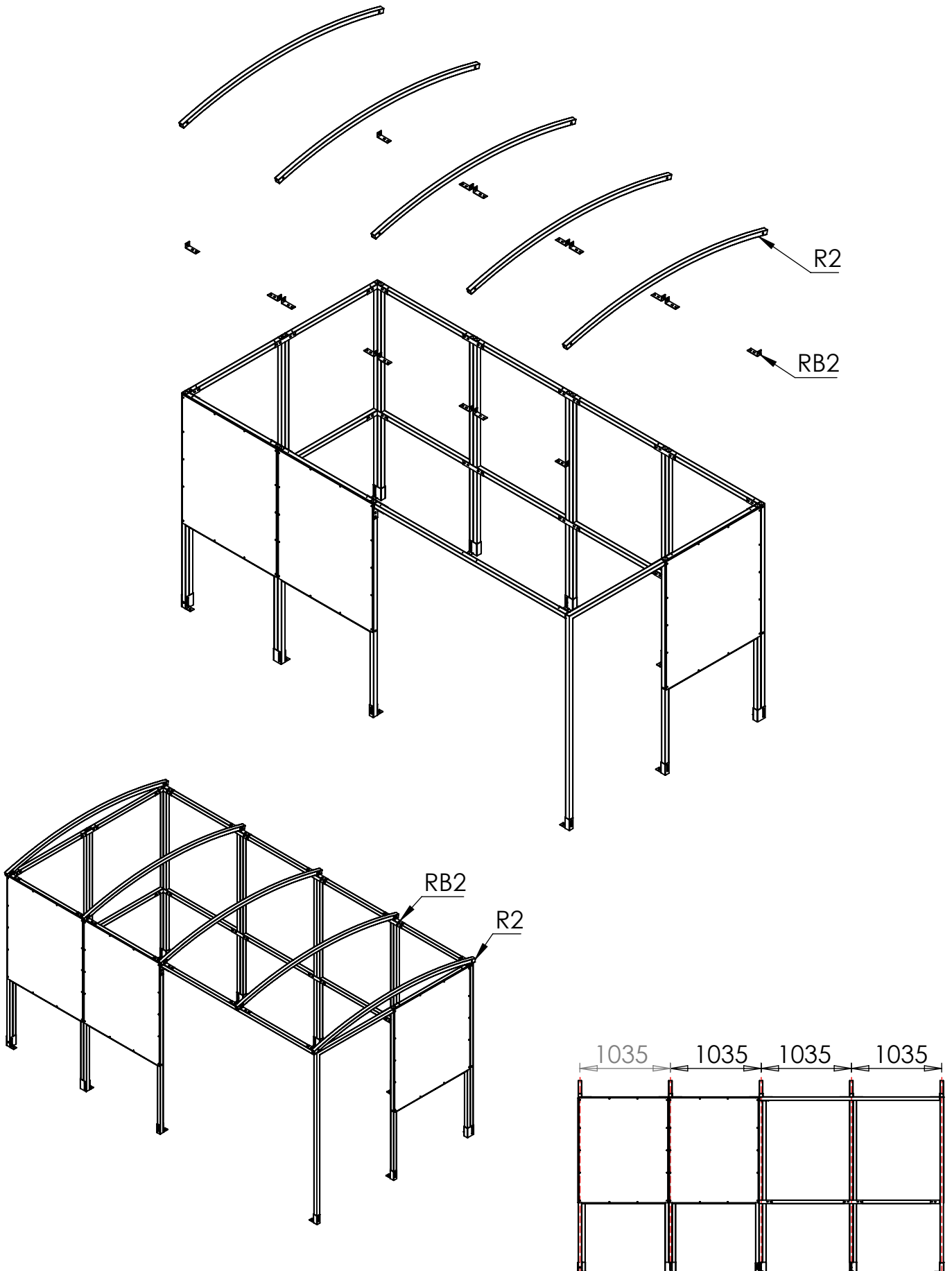
GENERAL NOTE:
THE 50mm TECH SCREWS ARE FOR FIXING ROOF STRIPS (RC) ONLY



Step 2 Attach **P1** post using one **JF1** bracket, then attach **ST3** tie bar using another **JF1** bracket and two **CB1** brackets. Move the shelter to its final position, make sure the structure is square and attach the **FT1** and **FT3** foot brackets to secure the shelter to the ground.

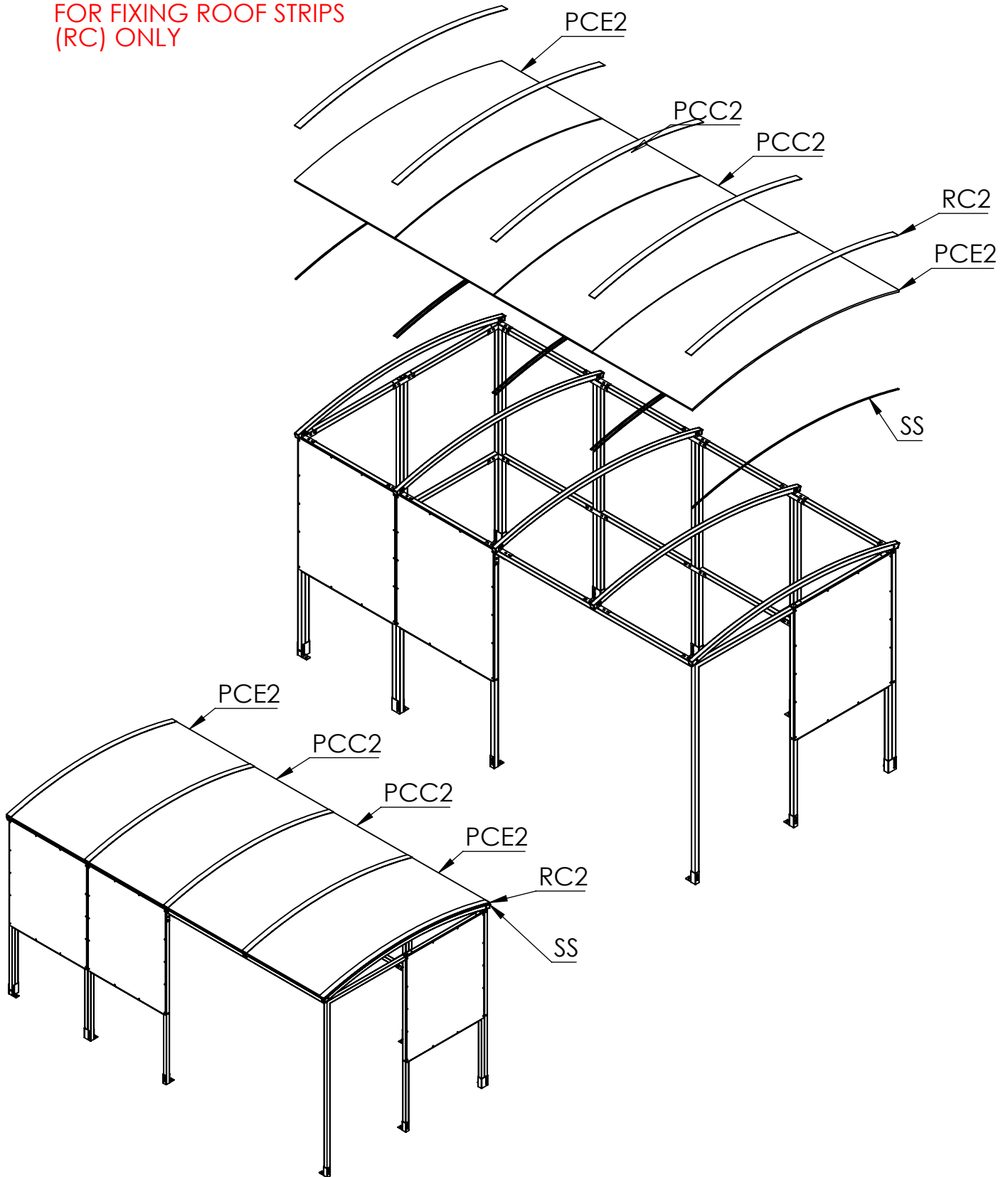


Step 3 Use **RB1** brackets to secure the **R2** roof rafters.

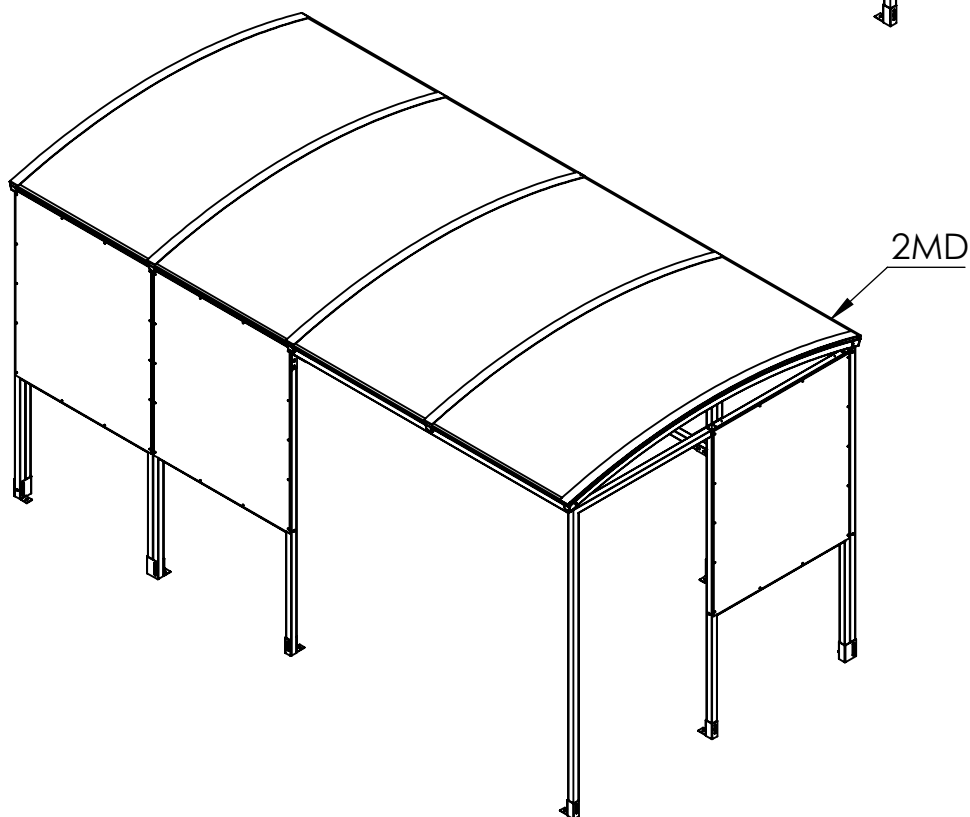
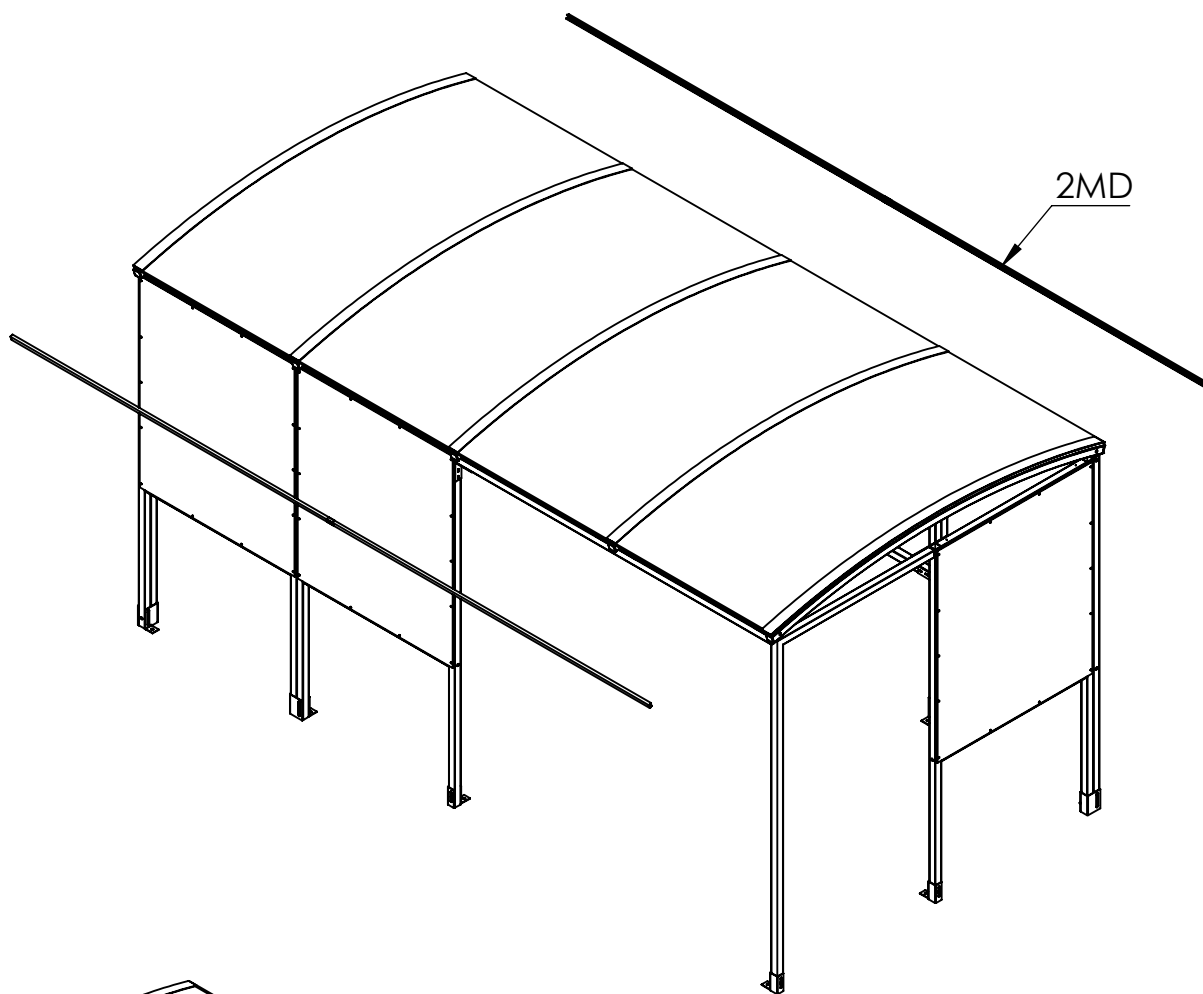


Step 4 Apply sealing strips (**SS**) to the top of the rafters. Align **PCE2** roof panels with the outer rafters then space out the **PCC2** panels evenly. Apply more **SS** strips to the top of the roof panels, directly above first strips. Cover the two edges along the outer rafters and gaps with **RC2** strips before screwing them into place using the **50mm TEC screws**.

GENERAL NOTE:
THE 50mm TECH SCREWS ARE
FOR FIXING ROOF STRIPS
(RC) ONLY

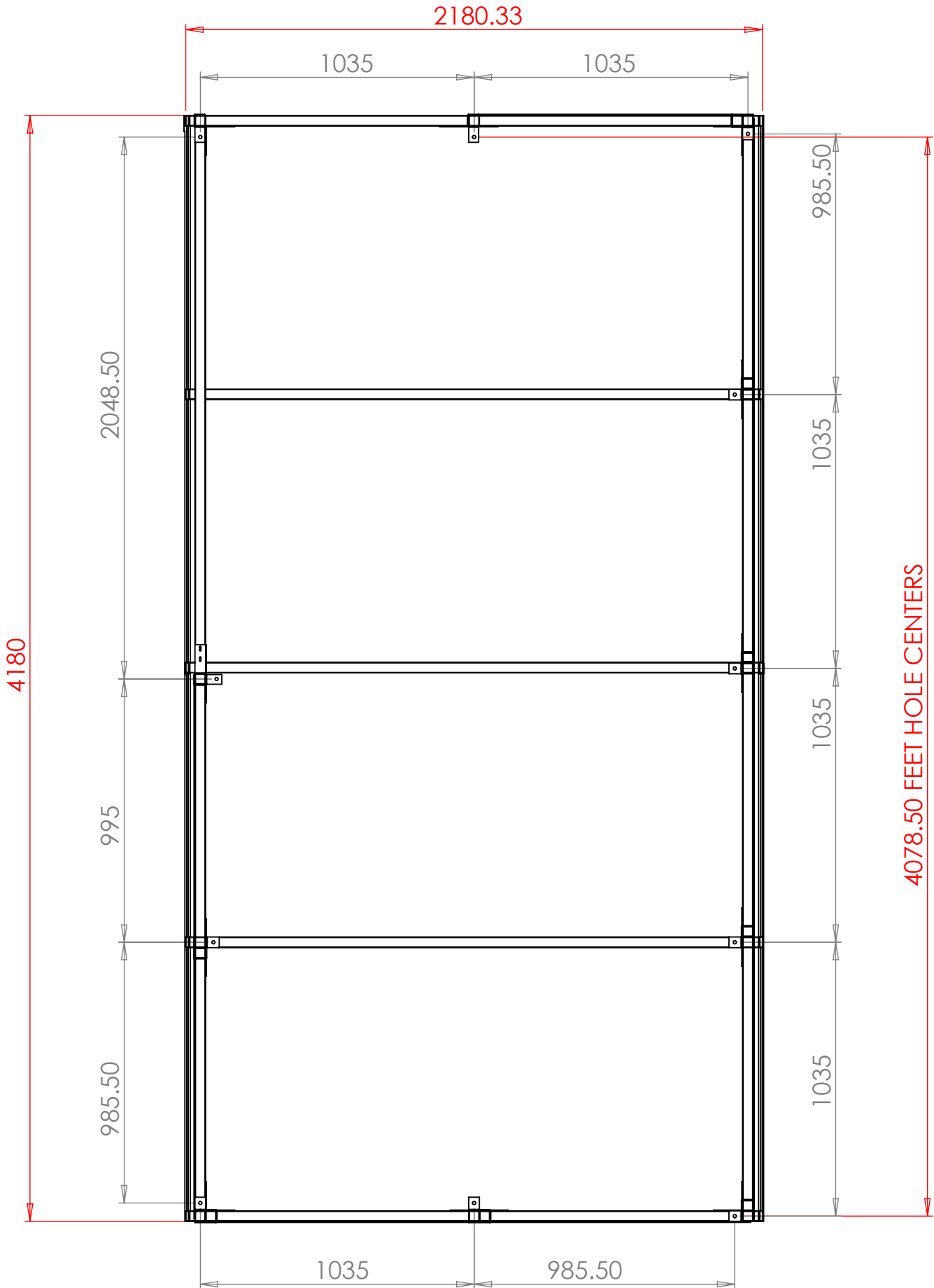


Step 5 Clip on the **2MD** end caps. Then fit the Black plastic caps on exposed nuts and bolts. Fit the square end caps to any open ends of box sections.



Plan view

Suggested size for concrete base: 200mm oversized on all four sides.



4078.50 FEET HOLE CENTERS

NOTES:

THANK YOU FOR PURCHASING THIS PRODUCT

MAINTENANCE:

To ensure your products give you many years of use we recommend that you:

- Clean panels regularly with soapy water
- Ensure all fittings are tight (for example after a big storm)
- Touch up any exposed metal should it get scratched

CONTACT DETAILS:

Email : Sales@shelter4less.co.uk

Web : www.shelters4less.co.uk

Tel : 0800 160 1002

Shelters4Less, Unit 3, 2 Landsdowne Crescent, Bournemouth, BH1 1SA

All Parts and Fixings checked by:	
Print Name:	Signature: