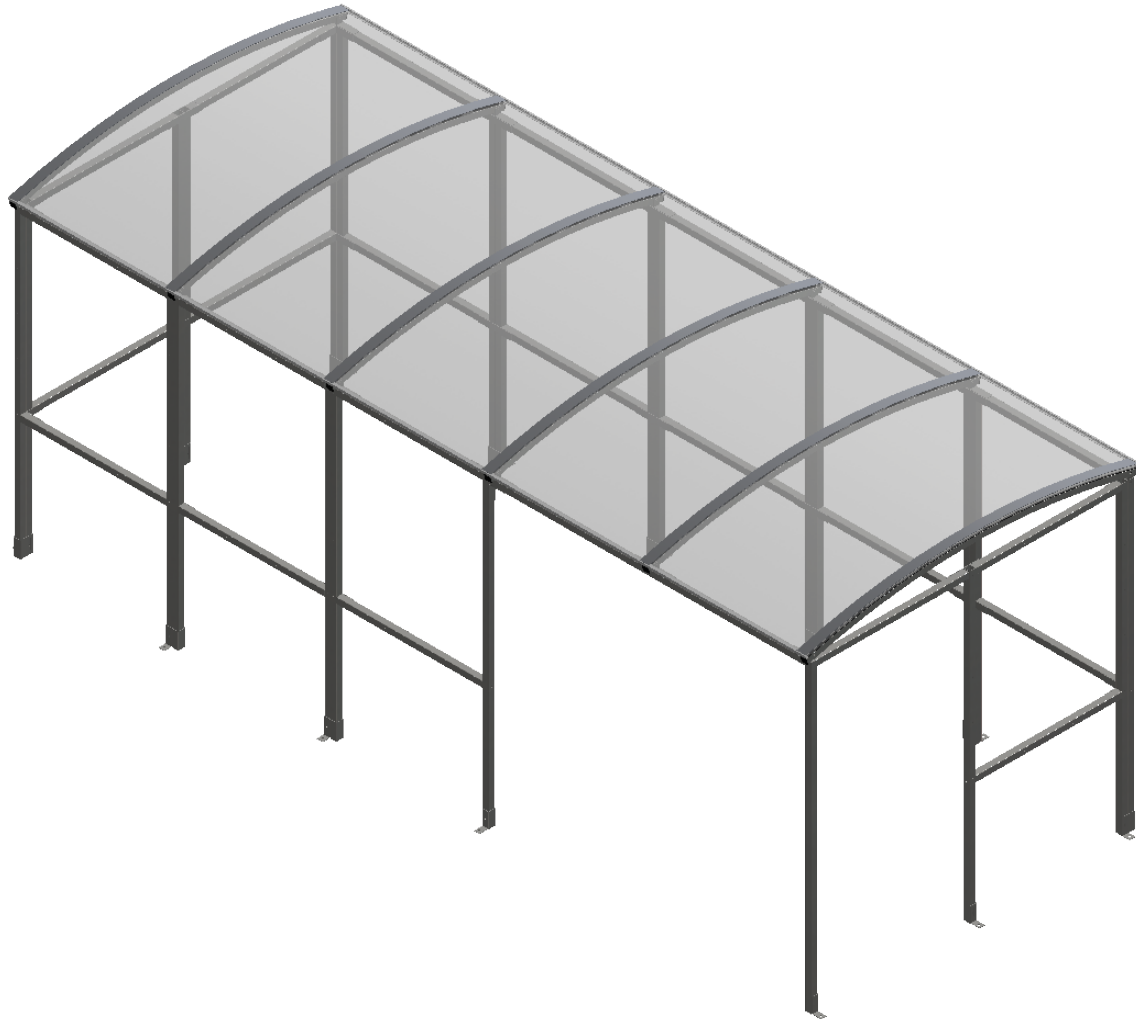


Assembly Instructions



**Shelters4Less**

Email : Sales@shelters4less.co.uk

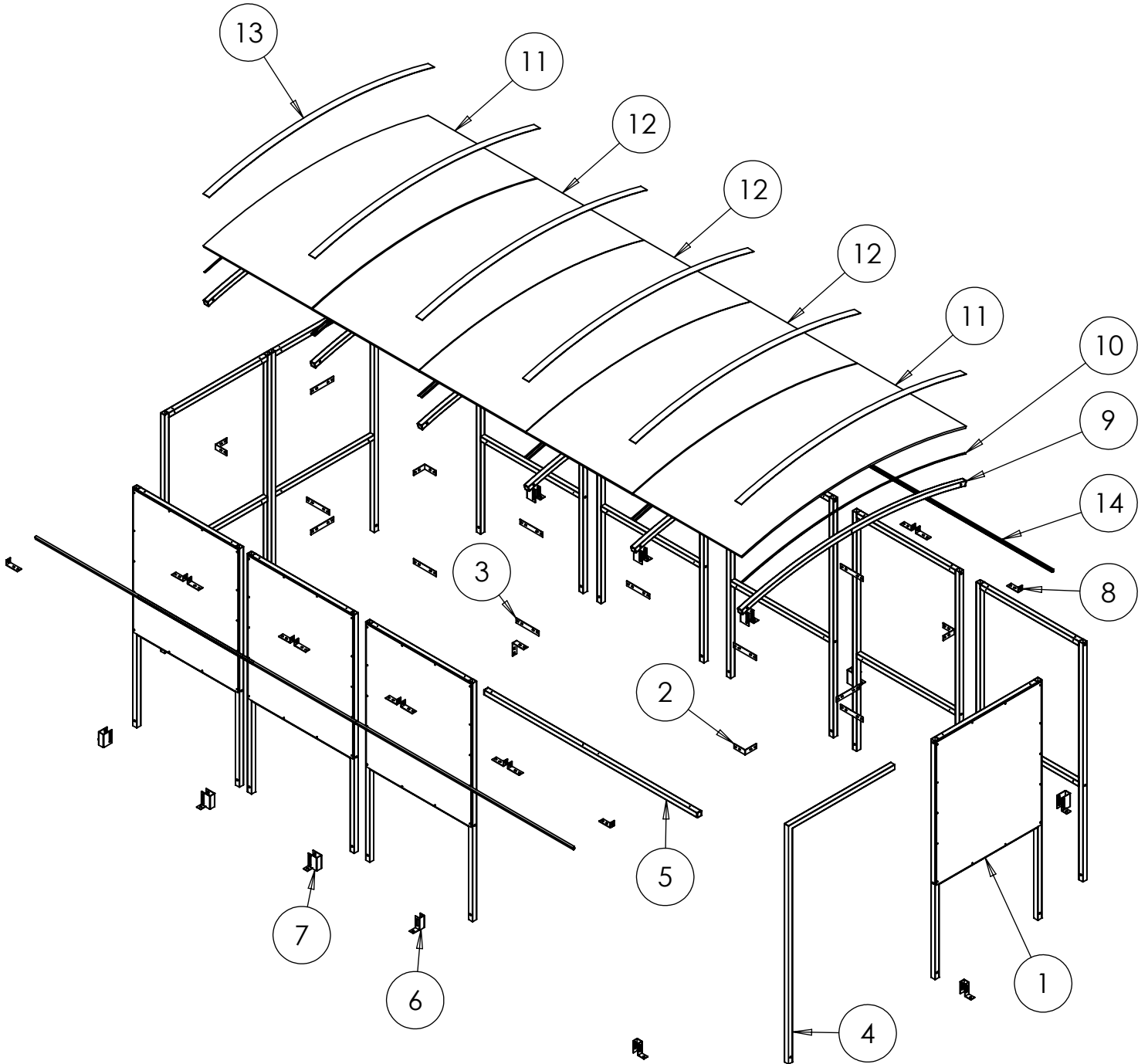
Web : www.shelters4less.co.uk

Tel : 0800 160 1002

Shelter type: SR1557

SR1557-02-310517-S4L

BALLOON VIEW



Tools required (Not included):



Drill/Screwdriver



Wrench



Mallet

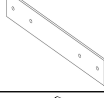
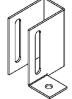
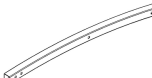


Torx bit



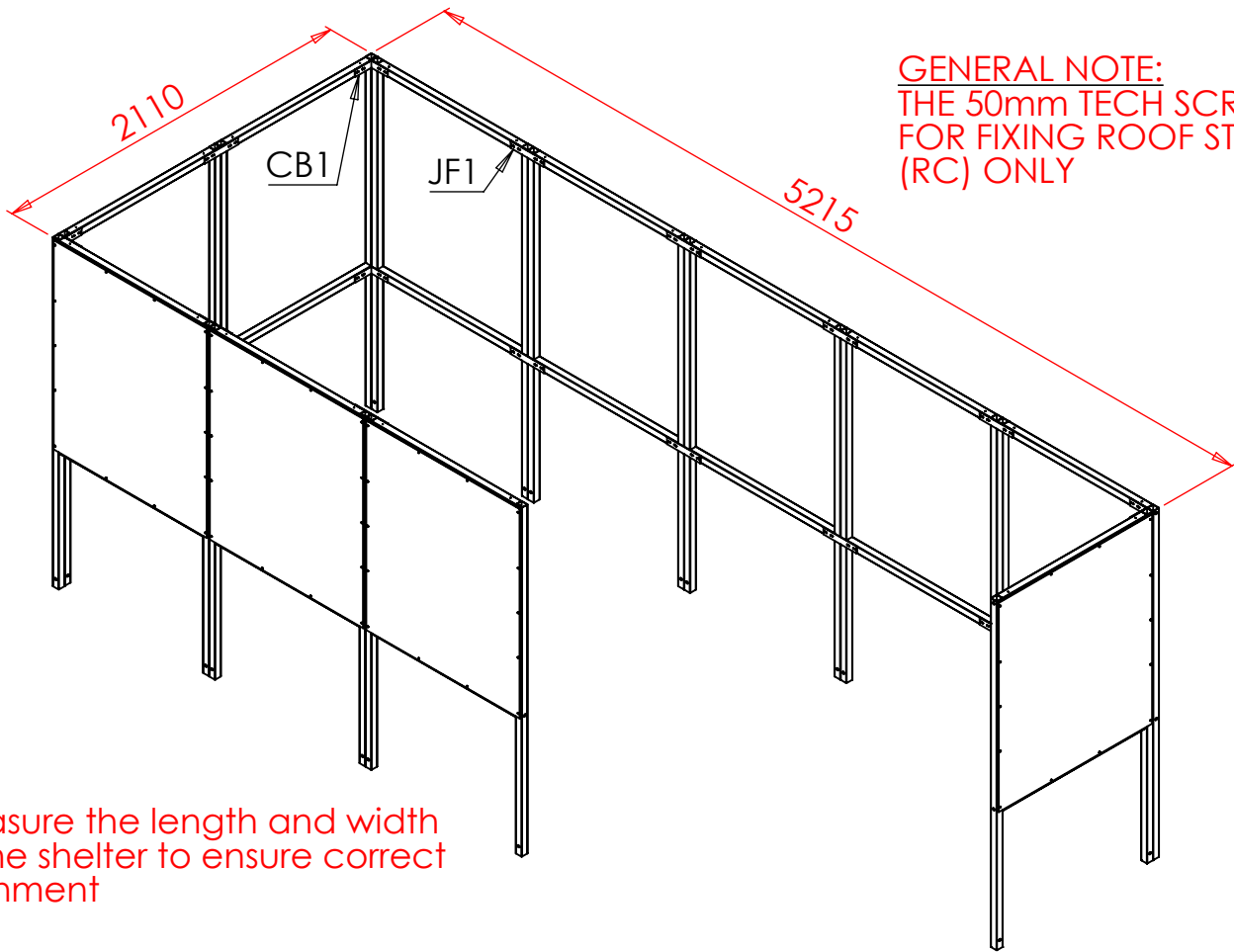
Hack saw

PARTS LIST

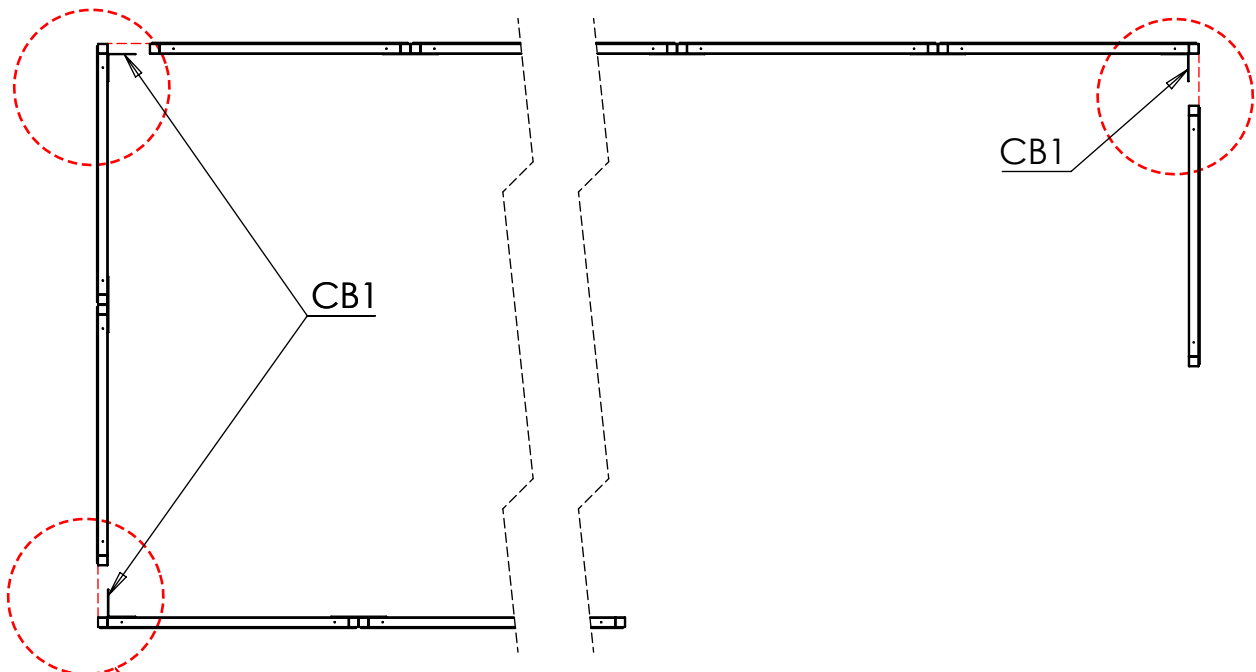
ITEM NO.	PART NO.	DESCRIPTION	DIMENSION (INCH)	PICTURE	QTY.
1	S1	Frame	2000 x 1035		11
2	CB1	Bracket	110 x 110 x 40		8
3	JF1	Bracket	220 x 40		16
4	P1	Post	2000		1
5	ST3	Roof Tie	2060		1
6	FT1	Foot Bracket	109 x 100 x 40		3
7	FT3	Foot Bracket	109 x 100 x 80		10
8	RB1	Bracket	110 x 46		20
9	R2	Rafter	2200		6
10	SS	Sealing Strip	Trim to 2200		5 ROLLS
11	PCE2	Roof Panel	2205 x 1050		2
12	PCC2	Roof Panel	2205 x 1030		3
13	RC1	Roof Strip	2205		6
14	2MD	Roof End Capping	Trim To Fit		6
15	EC40	Plastic End Capping	40 x 40		15

Fittings	Bolt set M10	Nut	Washer	Black Cap	T25	T50	AB1210
	M10 x 60				25mm Tech screw	50mm Tech screw	M10 x 100 Concrete Bolt
Pack A+B	40	40	80	80	136	66	13
Required	39	39	78	78	64	40	13
Spare	1	1	2	2	72	26	0
Image							

Step 1 Assemble all **S1** Frames to make up the main structure using **JF1** bracket for straight joints and **CB1** brackets for the corners.

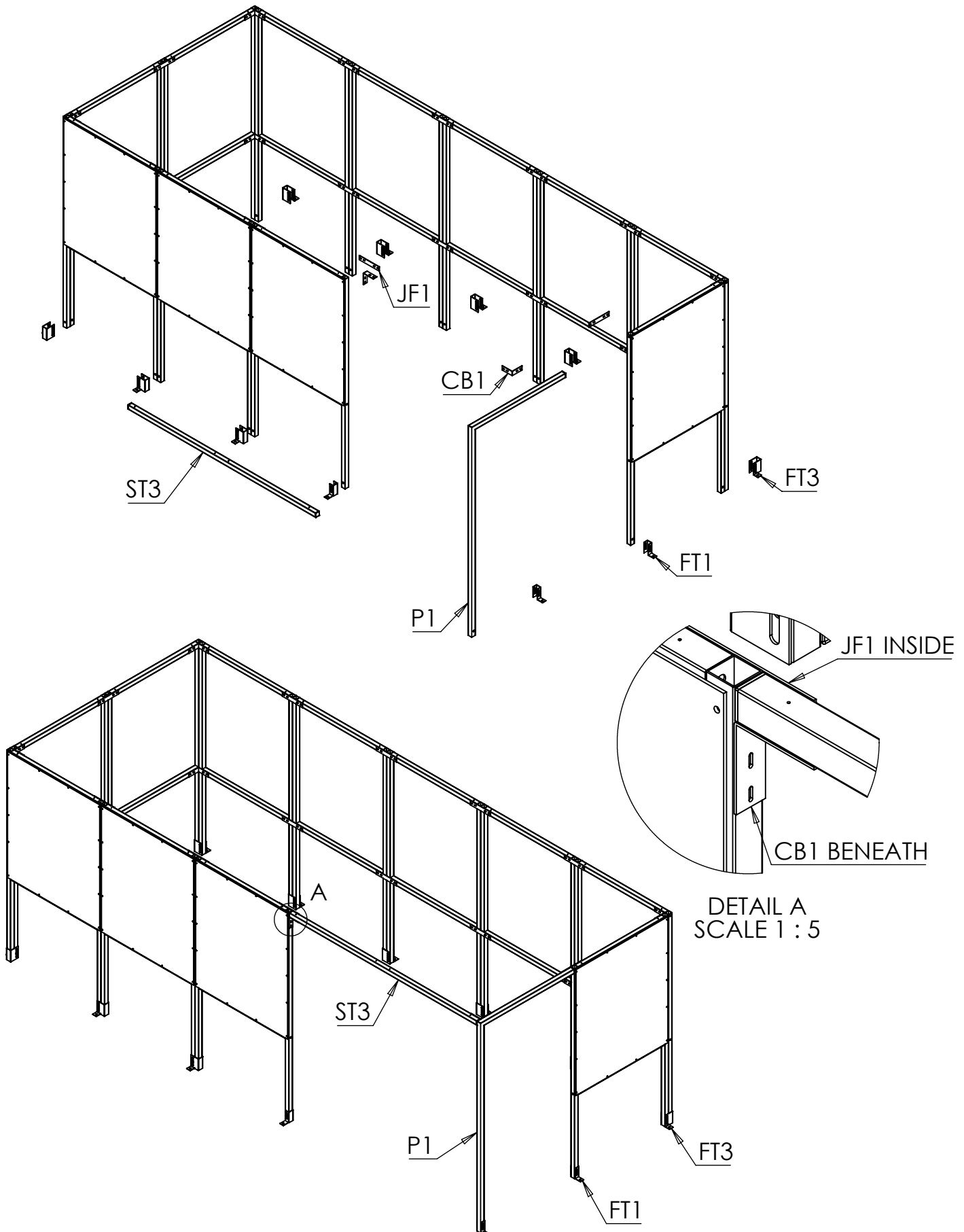


Measure the length and width of the shelter to ensure correct alignment

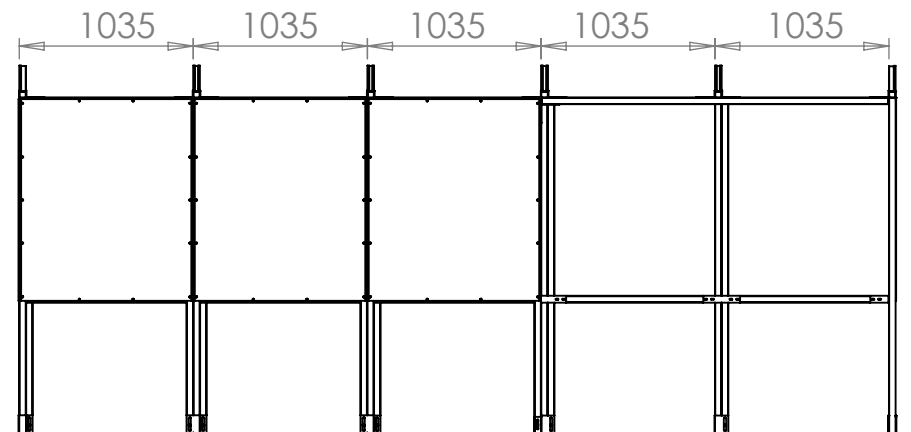
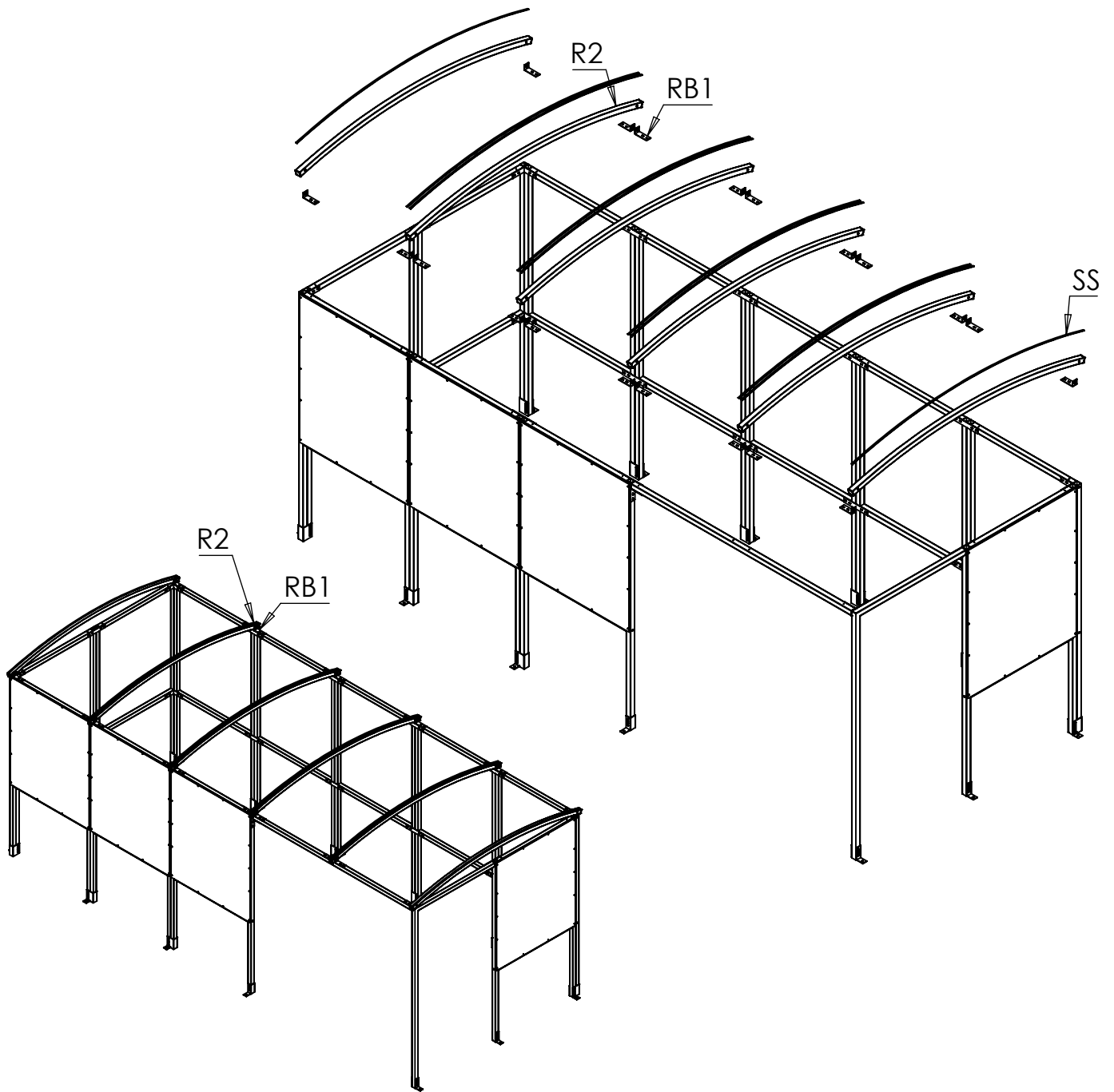


Ensure correct alignment on all four corners

Step 2 Attach **P1** Post using one **JF1** bracket then attach **ST3** Tie bar using two **CB1** brackets and one **JF1** bracket. Move shelter in to its final position and ensure the structure is square. Then attach **FT1** and **FT3** brackets to secure the shelter to the ground.

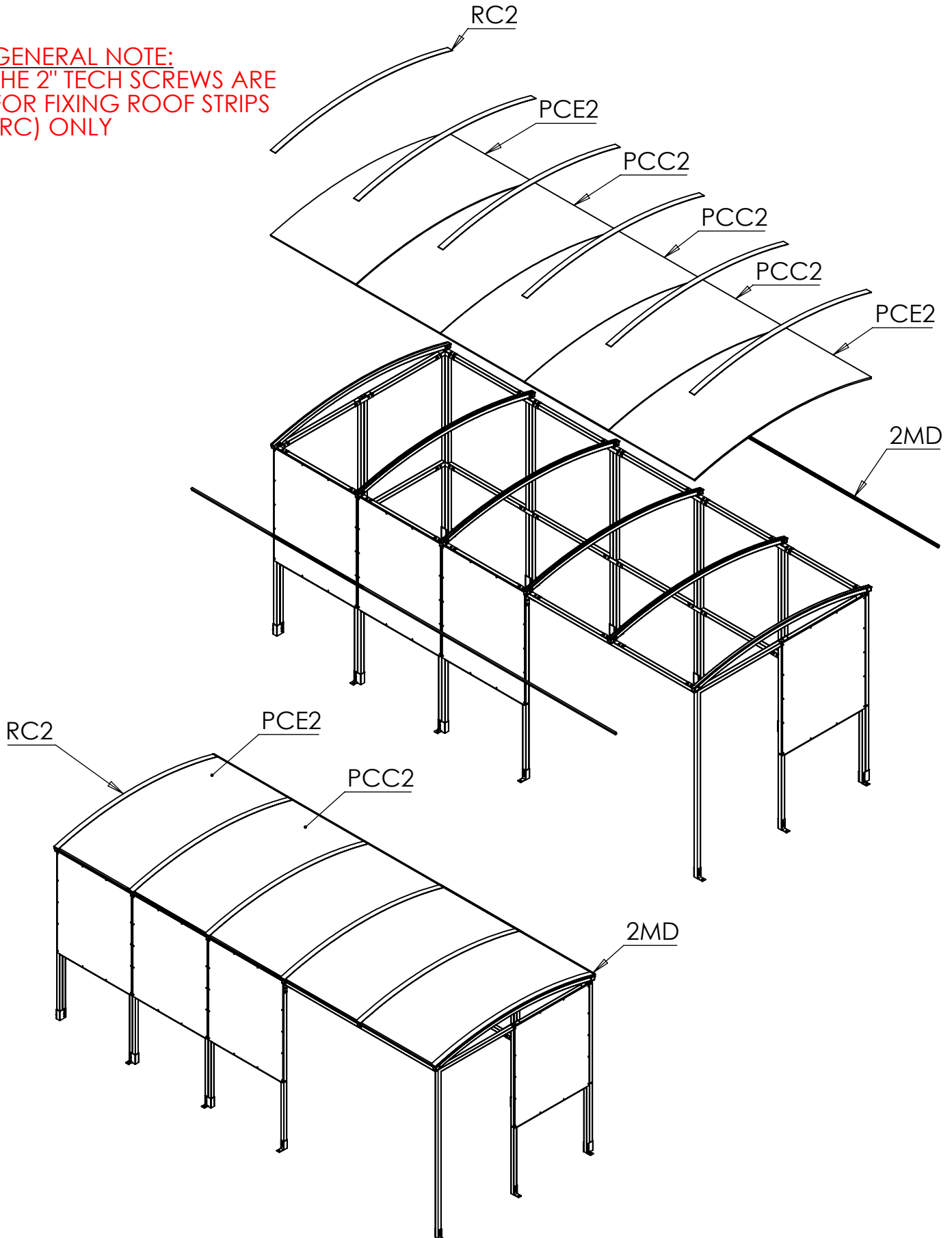


Step 3 Attach **R2** Rafters using **RB1** brackets. Use four **RB1** brackets to secure each Rafter and two for the end Rafters. Apply **SS** sealing strips along the length of the rafters.



Step 4 Attach **PCC2** roof panels and **PCE2** roof panels on top of the sealing strips. Apply more sealing strips to the top of the roof panels directly above the first strips. Screw down the **RC2** strips to cap it and seal off the end of the panels with the **2MD** end caps. Then fit the Black plastic caps on exposed nuts and bolts. Fit the **EC40** square end caps to any open ends of box sections.

GENERAL NOTE:
THE 2" TECH SCREWS ARE
FOR FIXING ROOF STRIPS
(RC) ONLY



NOTES:

NOTES:

NOTES:

THANK YOU FOR PURCHASING THIS PRODUCT

MAINTENANCE:

To ensure your products give you many years of use we recommend that you:

- Clean panels regularly with soapy water
- Ensure all fittings are tight (for example after a big storm)
- Touch up any exposed metal should it get scratched

CONTACT DETAILS:

Email : Sales@shelter4less.co.uk

Web : www.shelters4less.co.uk

Tel : 0800 160 1002

Shelters4Less, Unit 3, 2 Landsdowne Crescent, Bournemouth, BH1 1SA

All Parts and Fixings checked by:	
Print Name:	Signature: