

Assembly Instructions

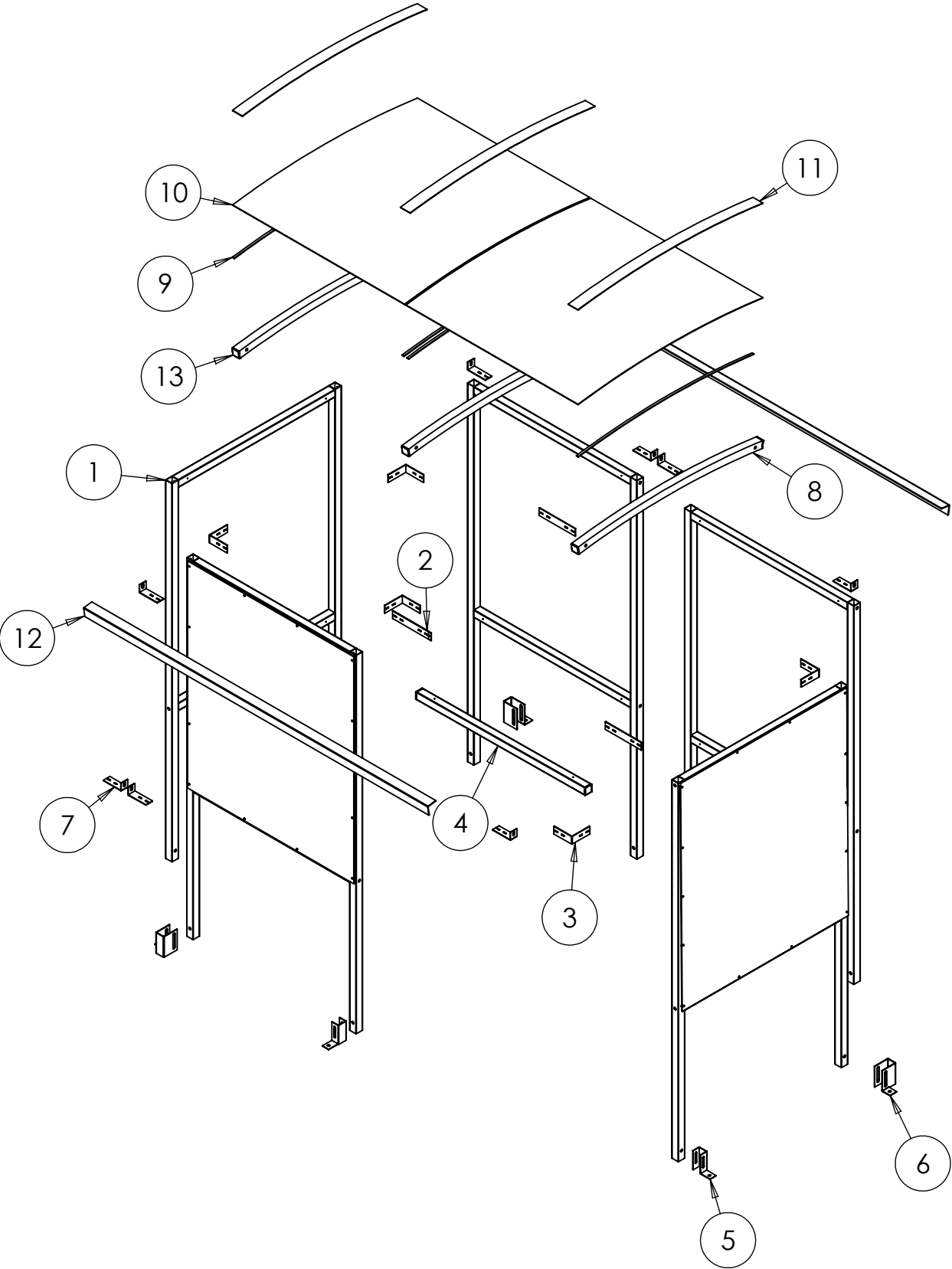


Email : Sales@shelters4less.co.uk
Web : www.shelters4less.co.uk
Tel : 0800 160 1002


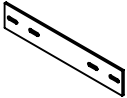
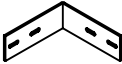
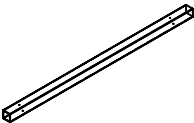
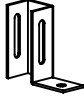


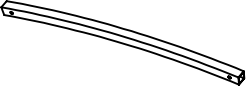
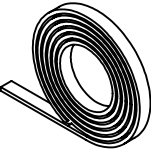
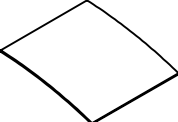
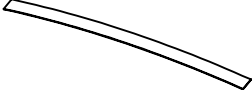


Product Code: **SR1558**

Doc. No.: SR1558-02-080319-UK


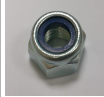




Exploded View



PARTS LIST

ITEM NO.	PART NO.	DESCRIPTION	DIMENSION (mm)	DIMENSION (Inch)	IMAGE	QTY.
1	S1	FRAME	2000x1035	78.74x40.75		5
2	JF1	BRACKET	220x40	7.87x1.58		3
3	CB1	BRACKET	110x110	4.33x4.33		7
4	ST1	ROOF TIE	1025x40x40	40.35x1.58x1.58		1
5	FT1	FOOT	109X100X40	4.29x3.94x1.58		2
6	FT3	FOOT	109X100X80	4.29x3.94x3.15		4
7	RB1	BRACKET	110x46	4.33x1.81		8
8	R1	RAFTER	1130x40x40	44.49x1.58x1.58		3
9	SS	SEALING STRIP	TRIM TO 1130	TRIM TO 44		1 ROLL
10	ACE1	ROOF PANEL	1130X1050	44.49x41.34		2
11	RC1	ROOF STRIP	1130	44.49		3
12	A1	ROOF EDGE	2100 x 50 x50	82.68 x 1.97 x 1.97		2
13	EC40	40x40 END CAP	40X40	1.58x1.58		8

Fittings and Tools

Fittings	Bolt set M10				T25	BTANCM12100
	M10 x 60 mm	Nut	Washer	Black Caps	25 mm Tech screw	M10/12 x 100 mm Concrete Bolt
Pack C	30	30	60	60	102	8
Required	12	12	24	56	24	6
Image						

Tools required:

Drill/Screwdriver



Mallet



Hack saw



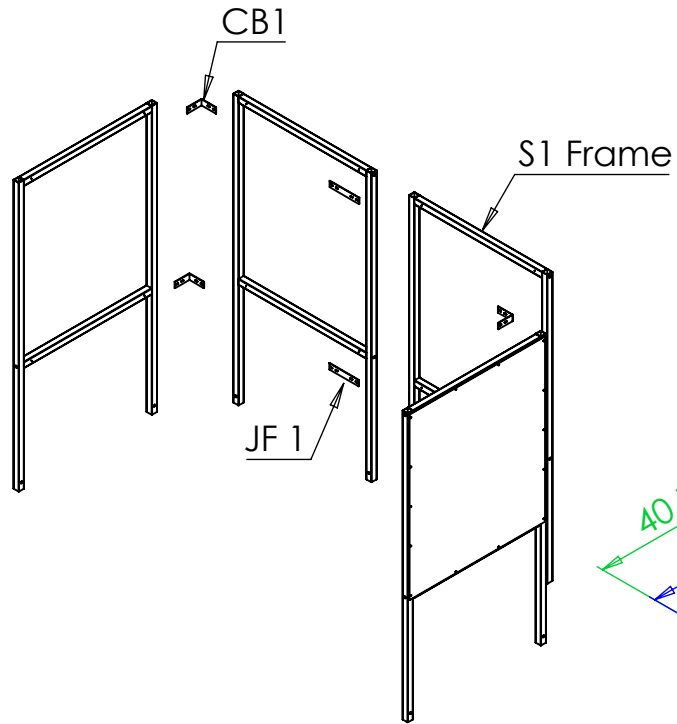
Spanner



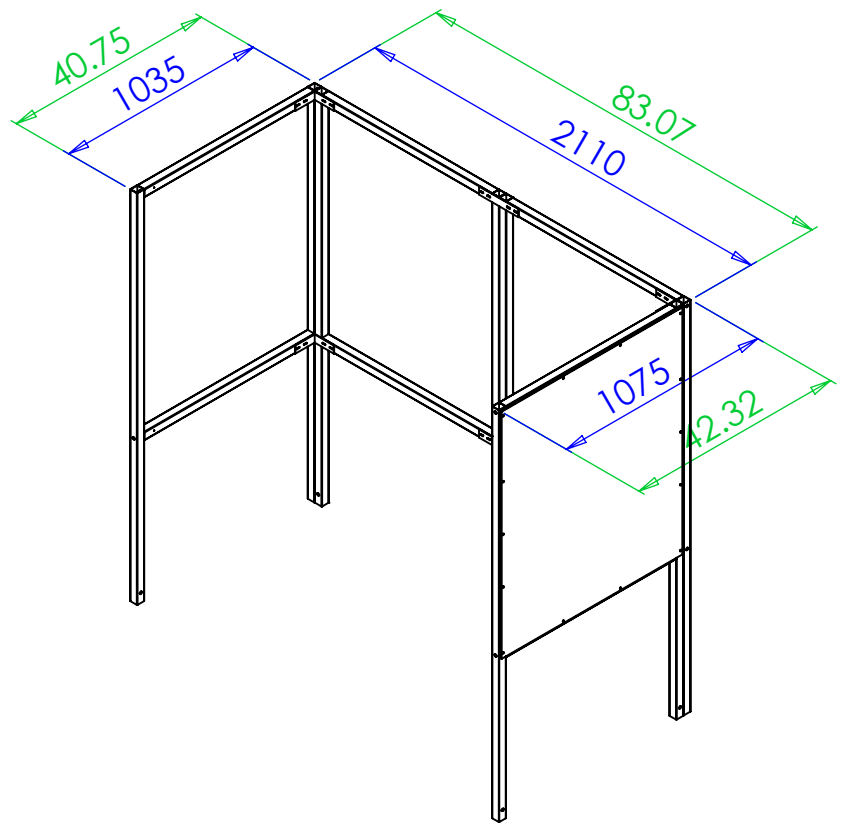
Torx bit



Step 1 Assemble the back and side frames using the **S1** frames. Join the frames using the **CB1** brackets in the corners and the **JF1** brackets on the flat joints.

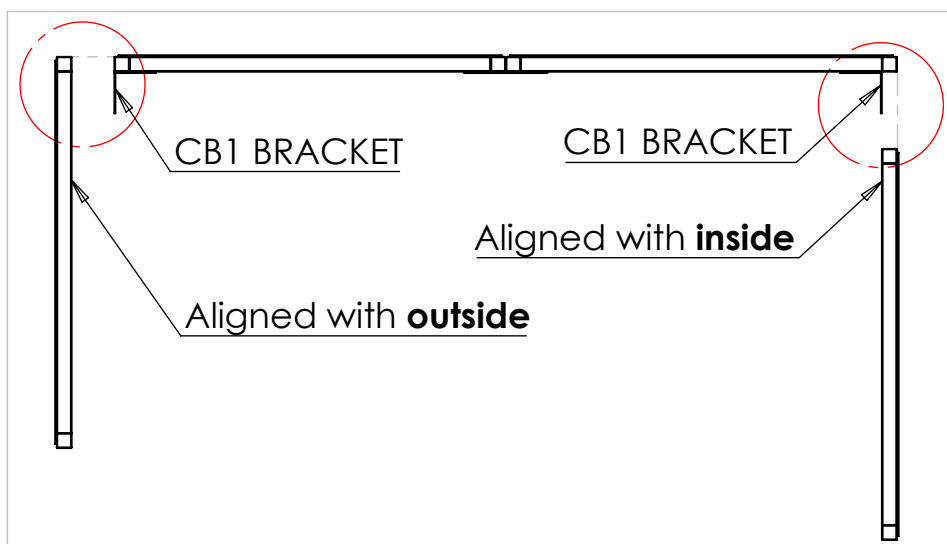


BLUE DIMENSIONS - MM
GREEN DIMENSIONS - INCH

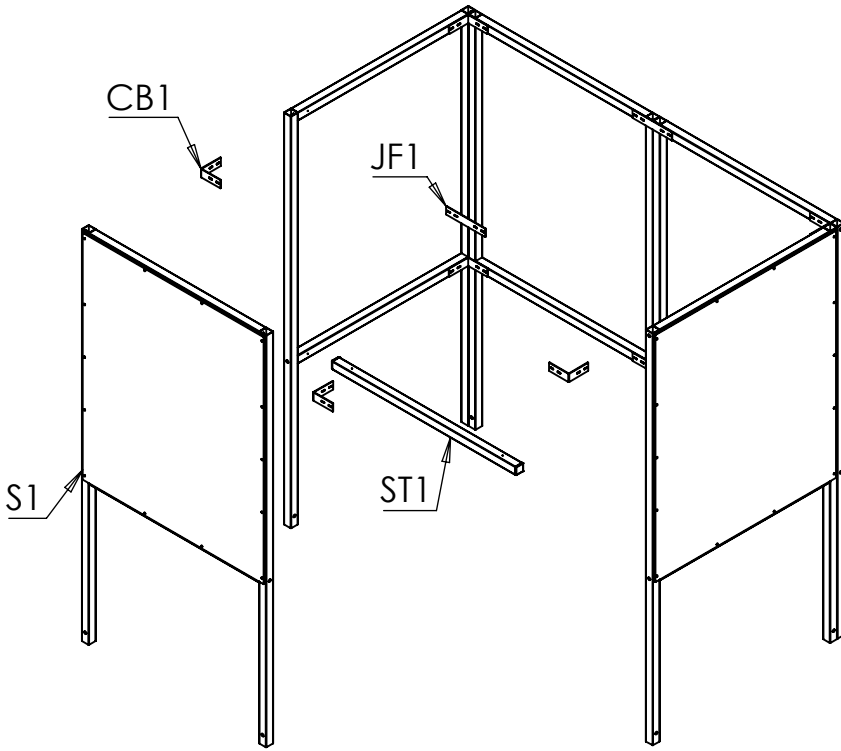


Check the dimension of the shelter to ensure correct alignment.

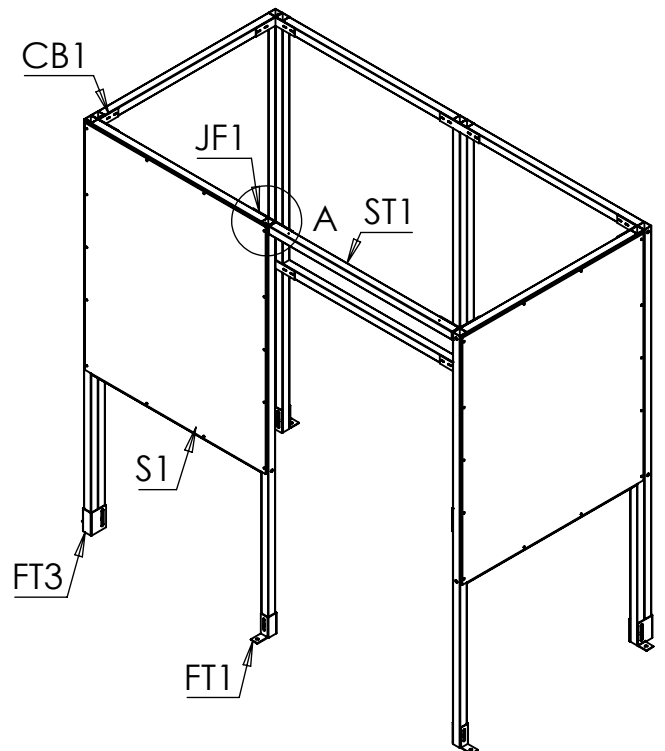
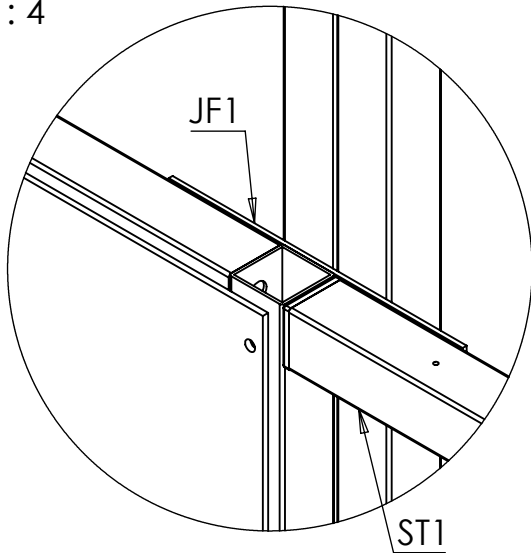
IMPORTANT: Make sure side frames are aligned as detailed below.



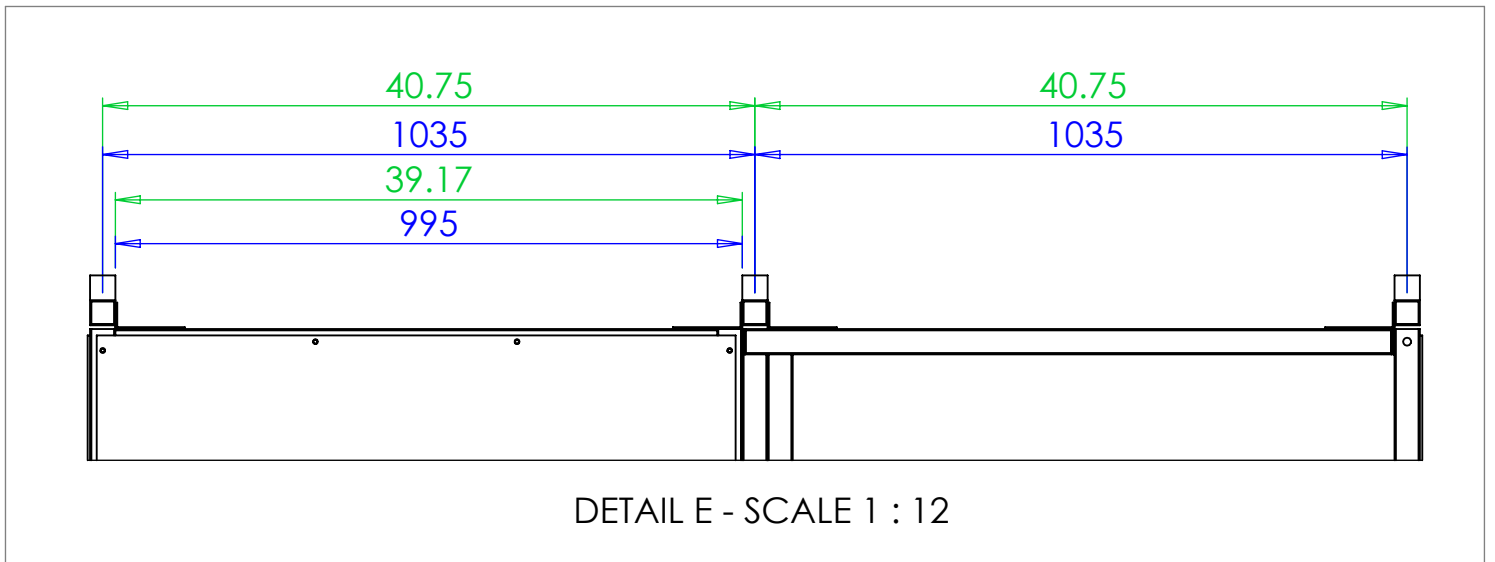
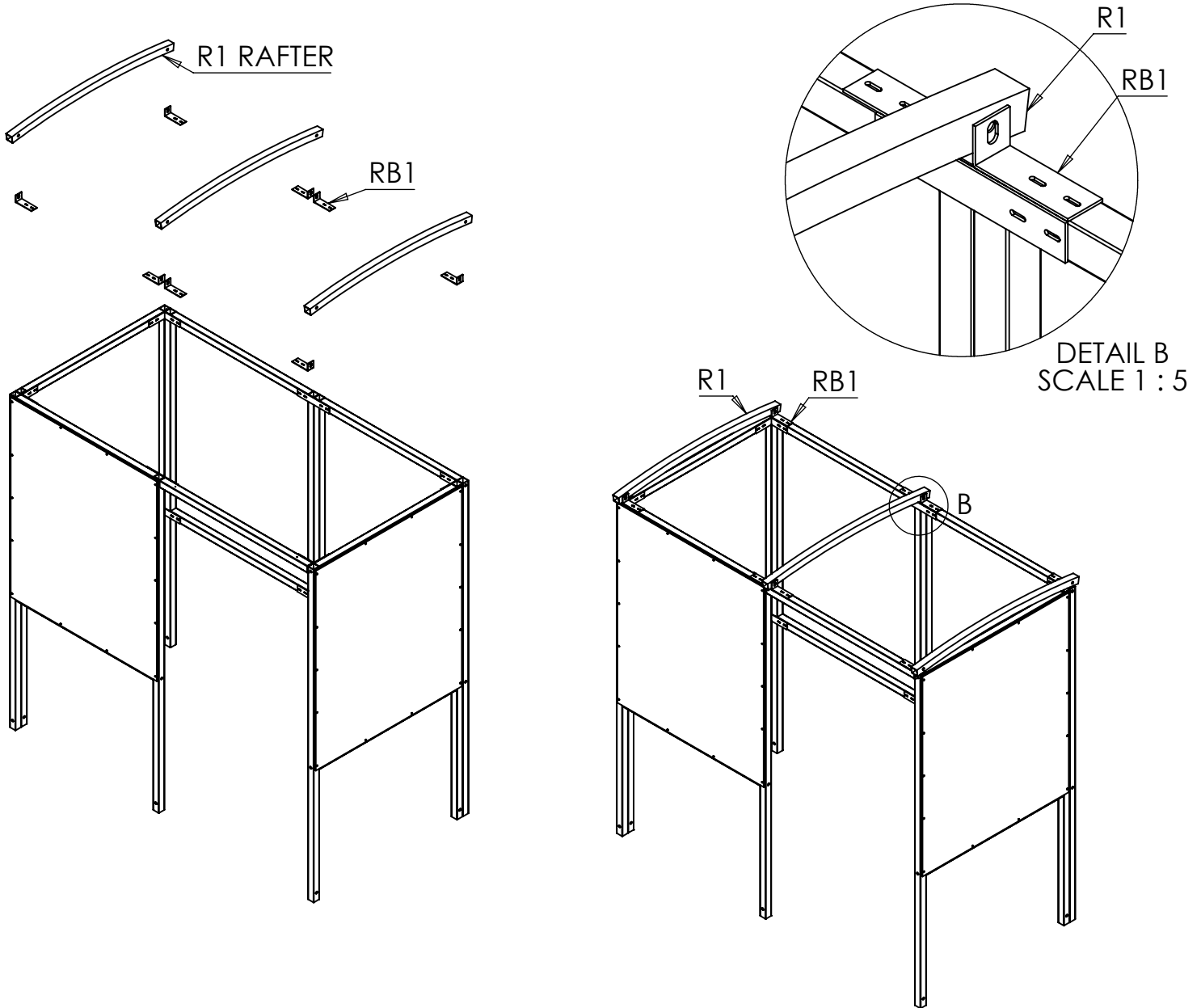
Step 2 Insert **EC40** end caps into both ends of the **ST1** tie bar. Attach front **S1** frame and **ST1** tie bar using **CB1** brackets in the corners and **JF1** brackets on the straight joint. Once the main structure is secured, move the shelter into its final position and install foot brackets **FT1** and **FT3** to fix shelter to the ground.



DETAIL A
SCALE 1 : 4



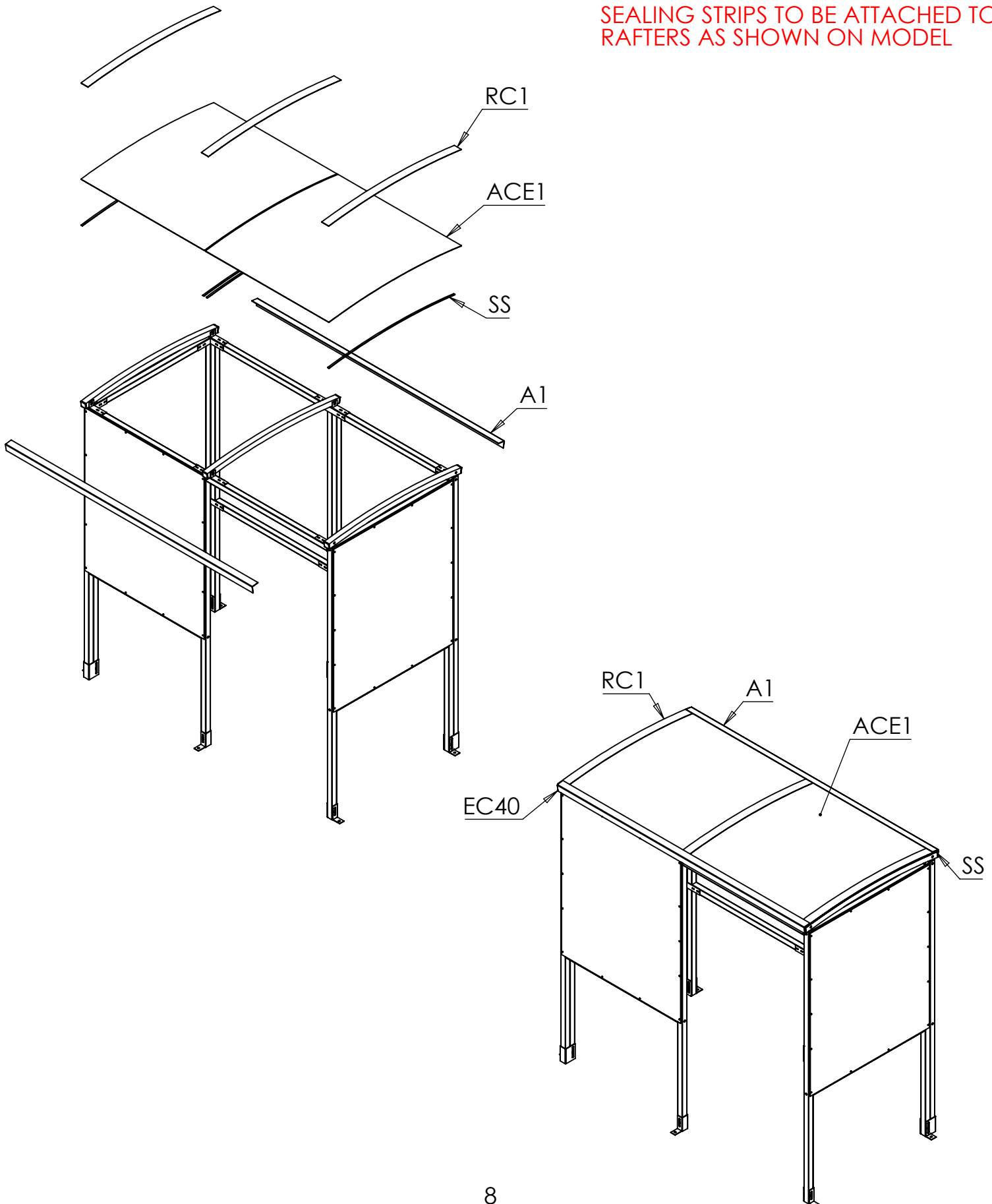
Step 3 Screw **RB1** brackets to the top of the frames, then Bolt **R1** roof rafters to **RB1** brackets. Rafters are 1035mm to centers (this should coincide with the next frame see Detail E below).



Step 4 Stick sealing strips (**SS**) on top of the rafters and align roof panels (**ACE1**). Apply more sealing strips to the top of the roof panel directly above the first sealing strips. Fix the **RC1** strips on the edges and over the gap between the roof panels and screw in with **25mm Tech screws**. Screw **A1** Roof Angles along the flat edges of the roof. Then fit the black plastic caps on exposed nuts and bolts. Fit the square plastic end caps (**EC40**) to any open ends of box sections.

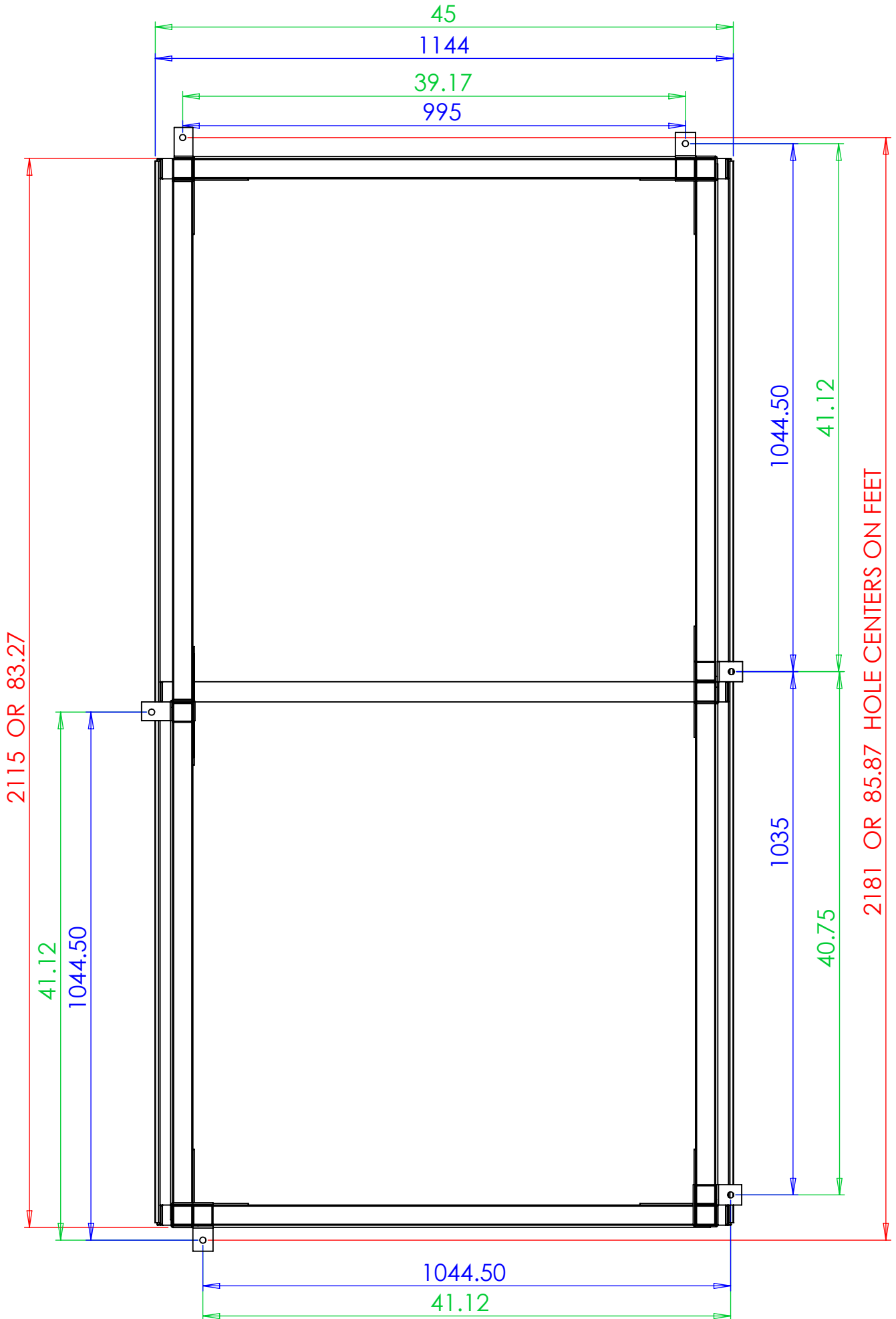
NOTE:

SEALING STRIPS TO BE ATTACHED TO RAFTERS AS SHOWN ON MODEL



Plan View

Suggested size for concrete base: 200mm OR 7.87inches oversized on all 4 sides.



NOTES:

NOTES:

THANK YOU FOR PURCHASING THIS PRODUCT

MAINTENANCE:

To ensure your products give you many years of use we recommend that you:

- Clean panels regularly with soapy water
- Ensure all fittings are tight (for example after a big storm)
- Touch up any exposed metal should it get scratched

CONTACT DETAILS:

Email : Sales@shelter4less.co.uk

Web : www.shelters4less.co.uk

Tel : 0800 160 1002

Unit B, Sharp Road, Poole, BH12 4BG

All Parts and Fixings checked by:	
Print Name:	Signature: