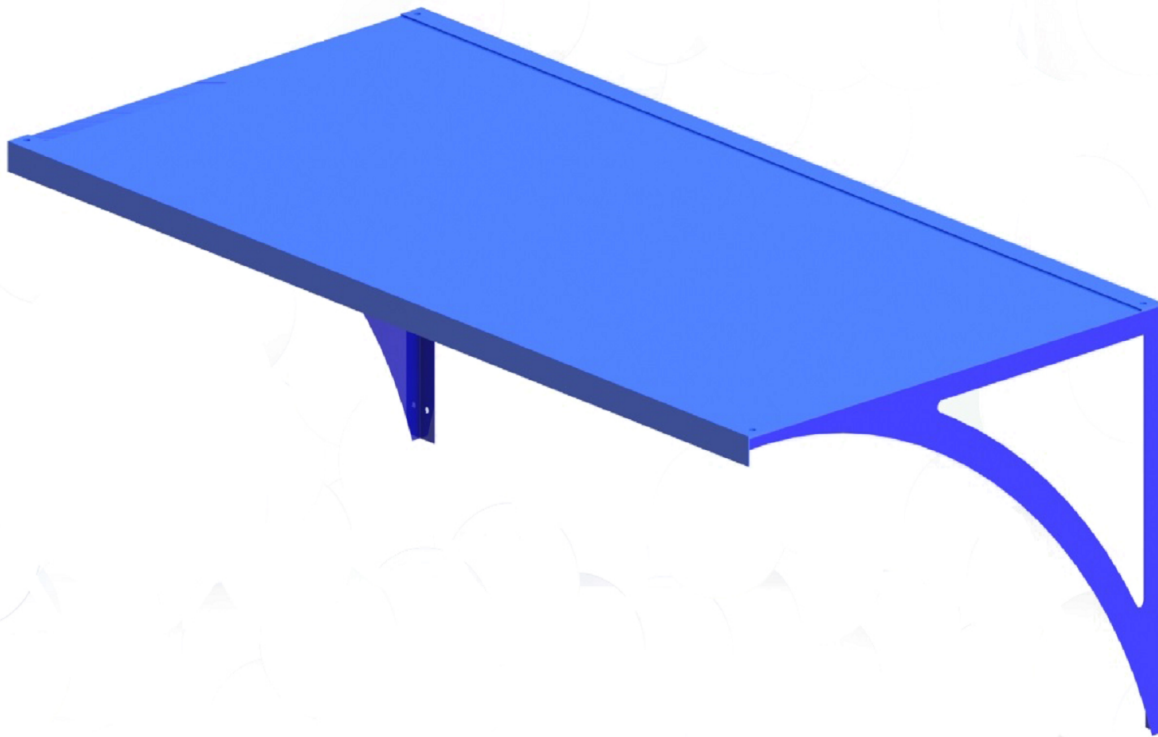
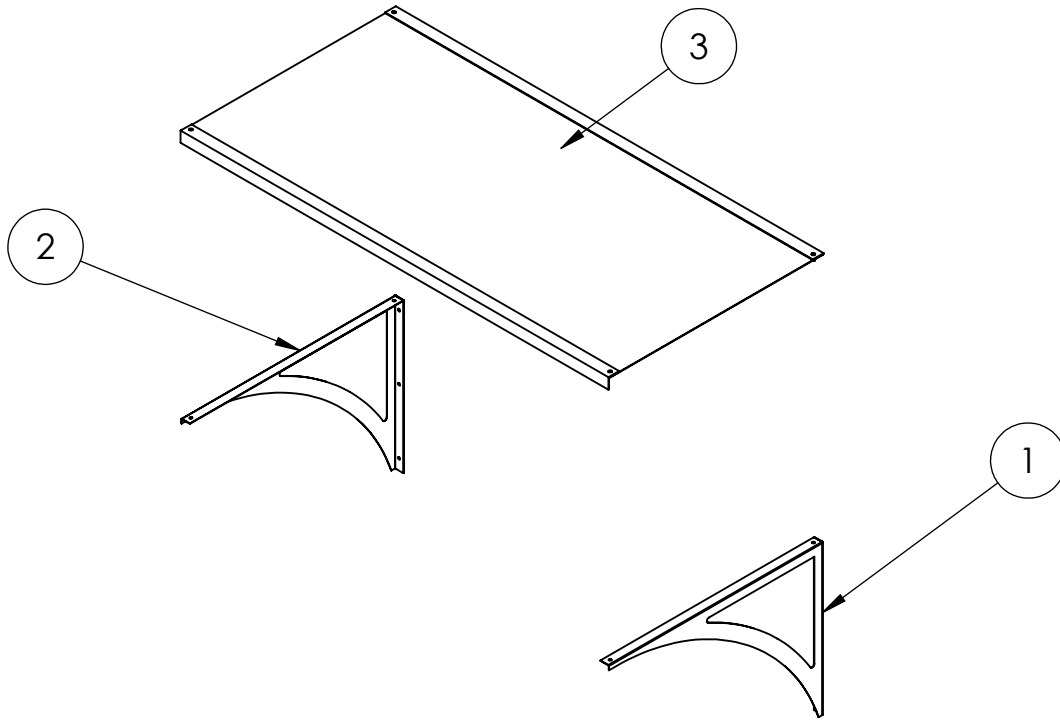


Assembly Instructions



EXPLODED VIEW & PARTS LIST



ITEM NO.	PART NO.	DESCRIPTION	DIMENSION	QTY.
1	RSF	RH side frame	1000 x 700	1
2	LSF	LH side frame	1000 x 700	1
3	RA	Roof Assembly	2000 x 1000	1

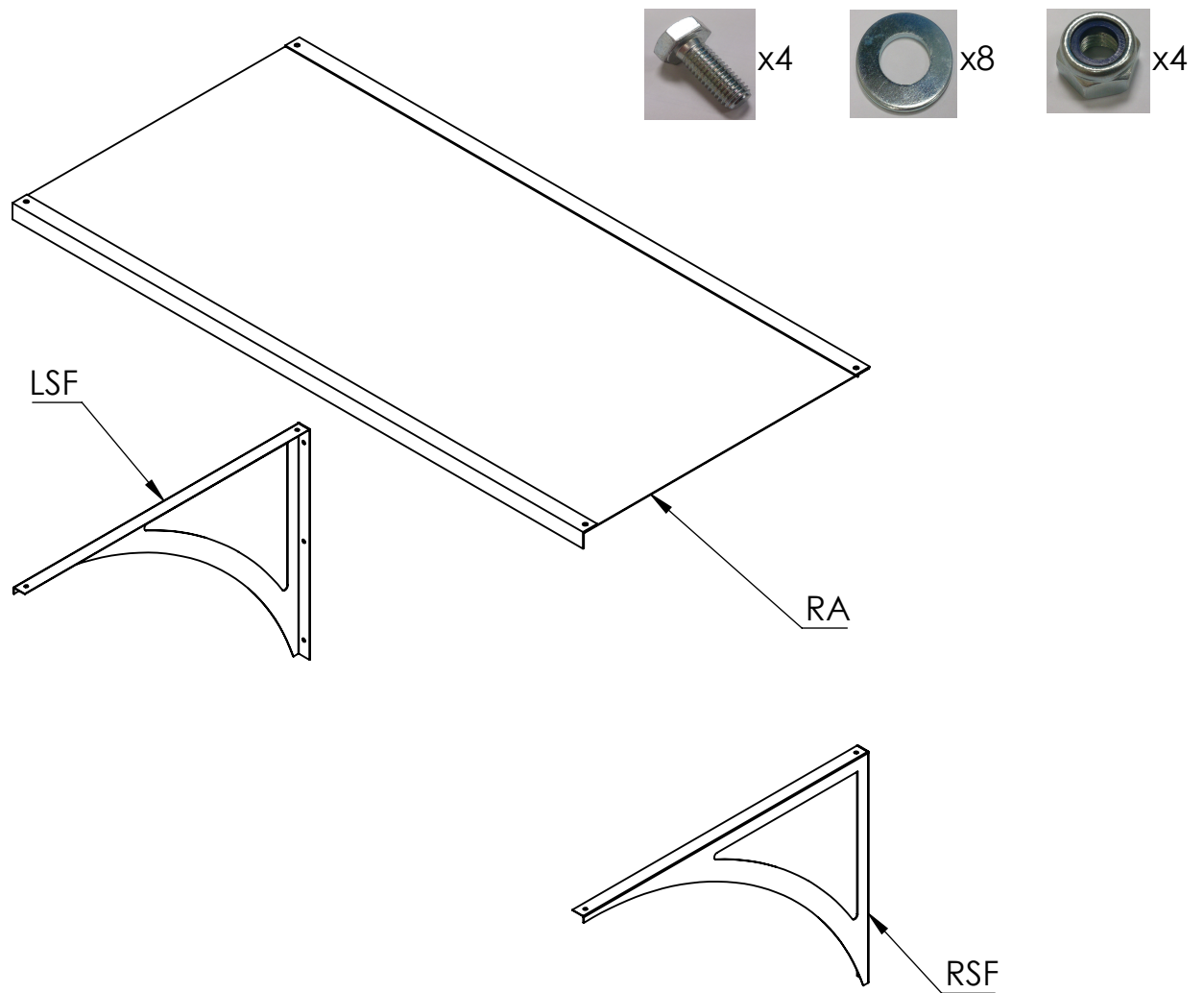
FITTINGS		
TYPE	Image	QTY.
M8 x 20 Bolt		4
M8 Washer		8
M8 Nut		4

Tools required for assembly:

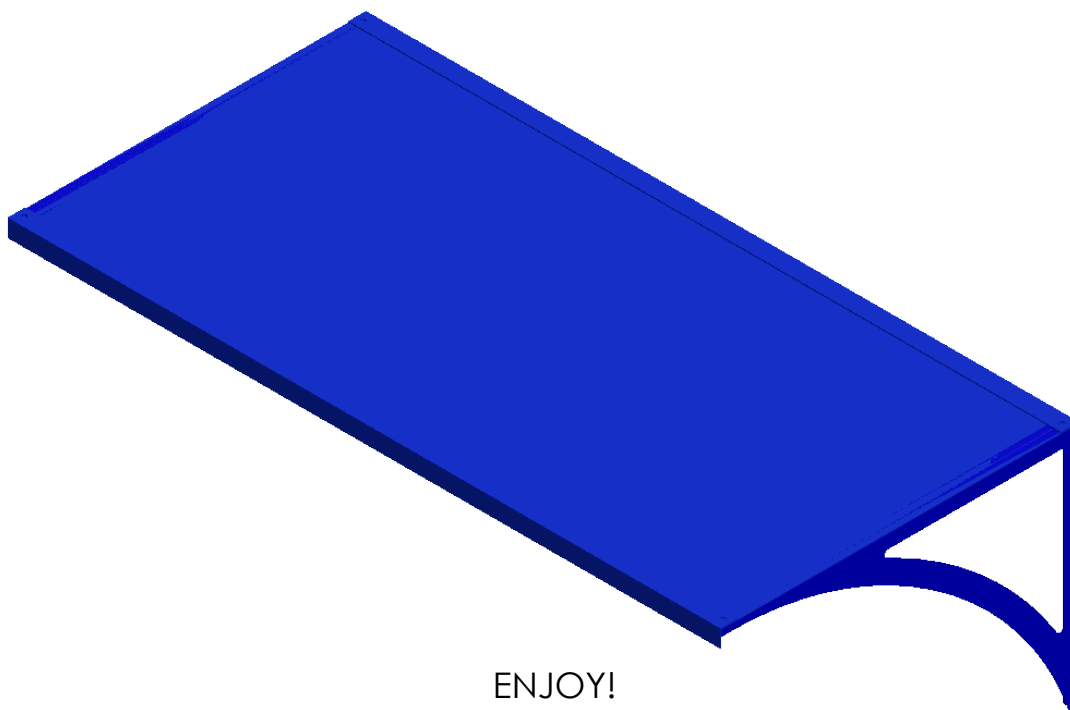


13mm Spanners x2

Step 1 Attach the two side frames (RSF & LSF) to the Roof assembly (RA)



Step 2 Another person will be required to attach the canopy to the wall. It helps to hold and level the canopy in the desired position before marking and drilling the holes in the wall.



ENJOY!

THANK YOU FOR PURCHASING THIS PRODUCT

MAINTENANCE:

To ensure your products give you many years of use we recommend that you:

- Clean panels regularly with soapy water
- Inspect all fittings periodically (particularly after a big storm)
- Touch up any exposed metal should it get scratched

CONTACT DETAILS:

Email : Sales@shelters4less.co.uk

Web : www.shelters4less.co.uk

Tel : 0800 160 1002

Shelters4Less, Unit 3, 2 Lansdowne Crescent, Bournemouth, BH1 1SA

All Parts and Fixings checked by:	
Print Name:	Signature