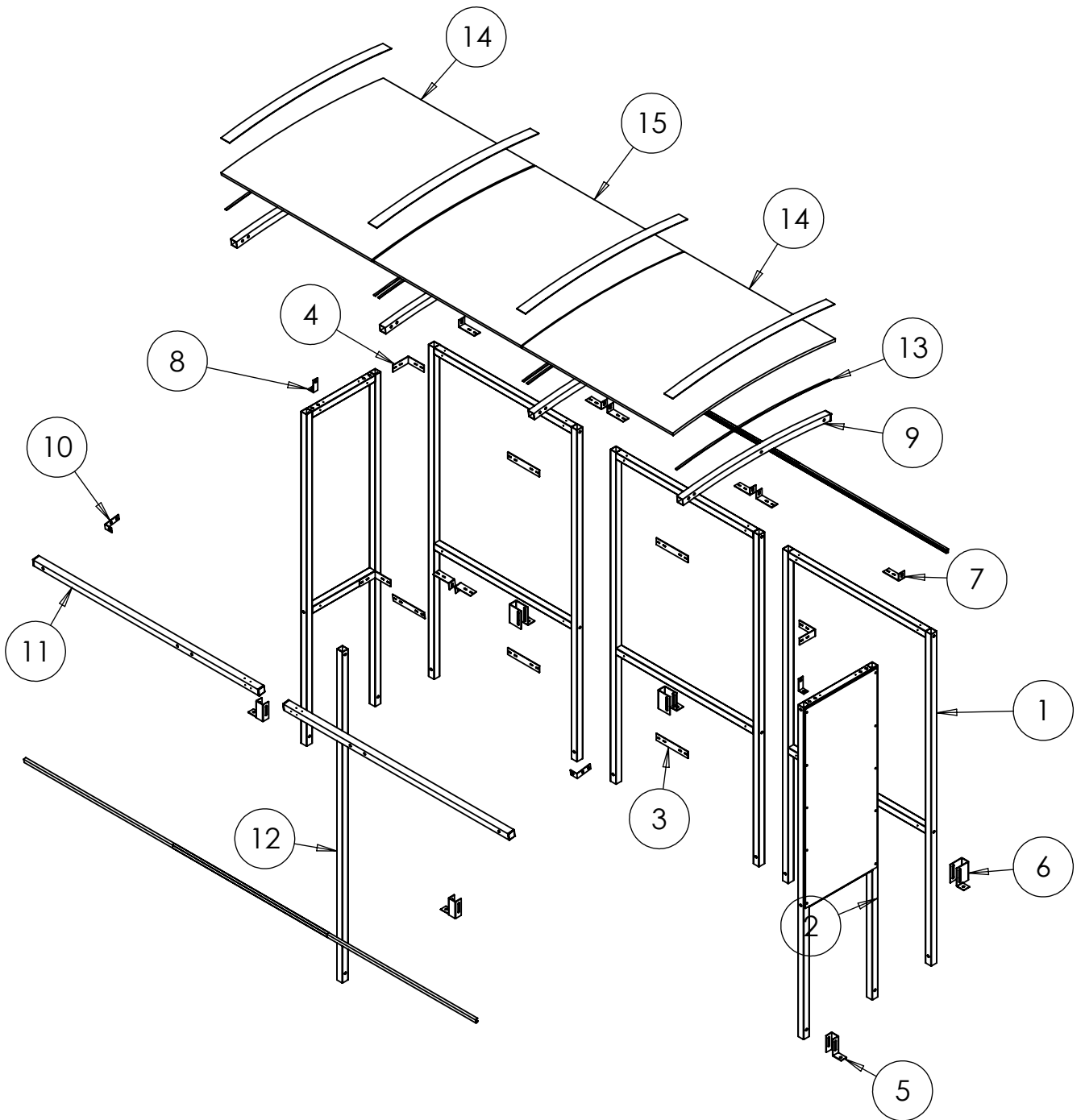


# Assembly Instructions



# EXPLODED VIEW



## Tools required:



Drill/Screwdriver



Mallet



Hack saw

## Tools included:

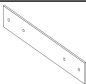

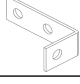
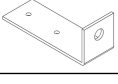
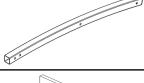
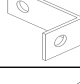
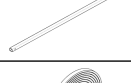
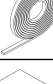

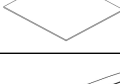
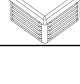


Spanner



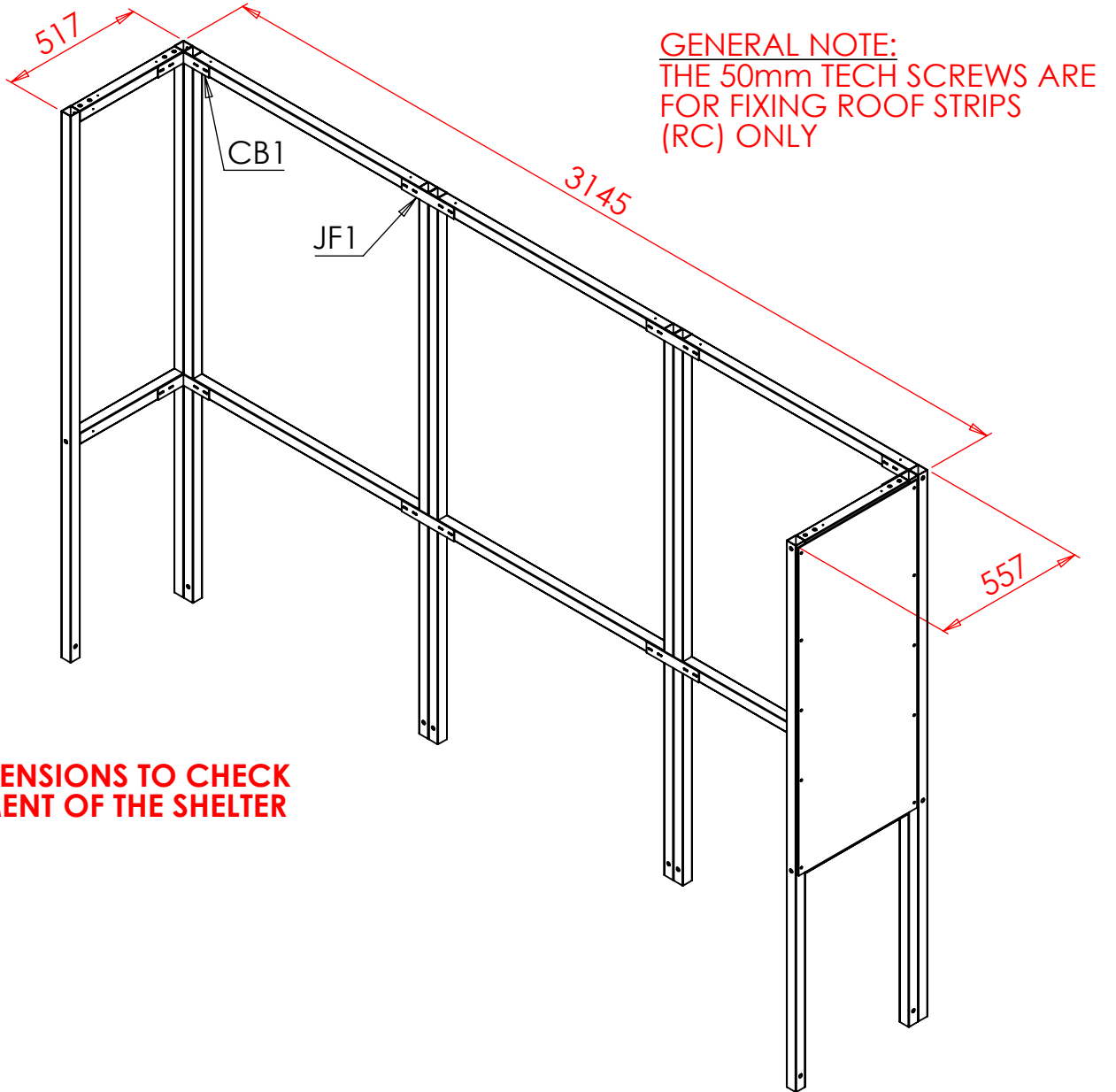
Torx bit

# PARTS LIST

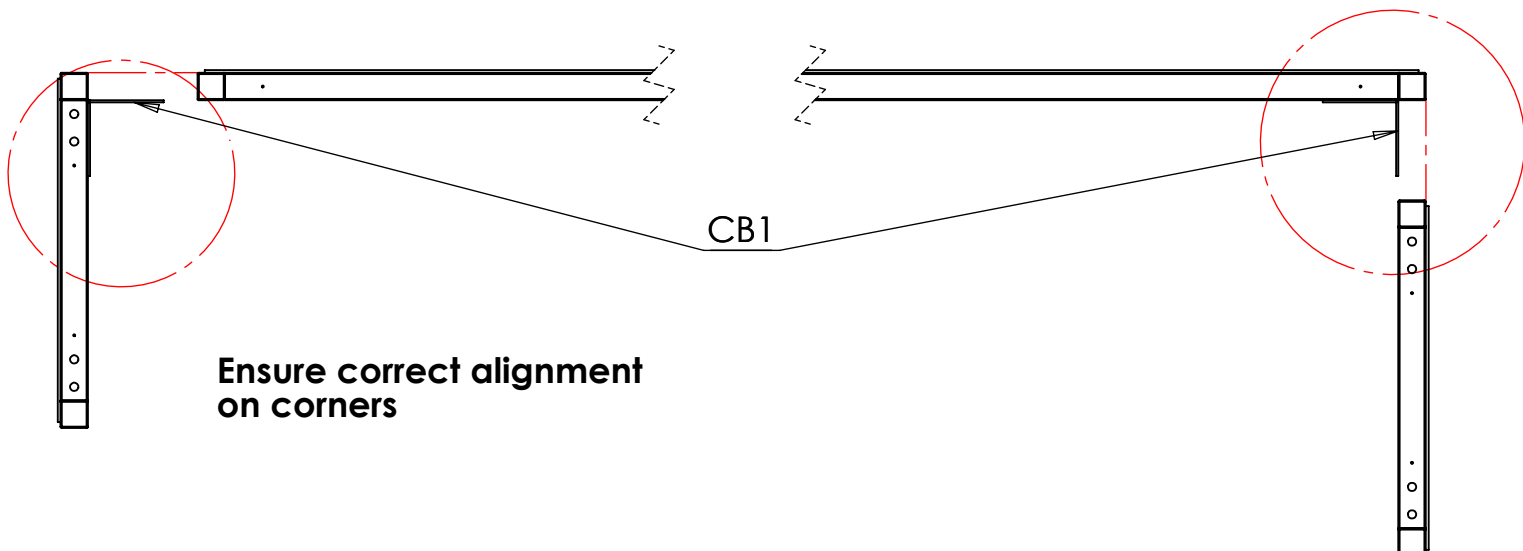
ITEM NO.	PART NO.	DESCRIPTION	SIZE	IMAGE	QTY.
1	S1	FRAME	2000 x 1035		3
2	S3	FRAME	2000 x 517		2
3	JF1	PLATE / BRACKET	220 x 40		5
4	CB1	BRACKET	110 x 110 x 40		4
5	FT1	FOOT BRACKET	109 x 100 x 40		3
6	FT3	FOOT BRACKET	109 x 100 x 80		4
7	RB1	BRACKET	110 x 46		8
8	L3	BRACKET	73 x 38 x 3		2
9	R3	CURVED RAFTER	1035		4
10	L1	BRACKET	95 x 45 x 3		6
12	B3	BEAM	1572 x 40 x 40		2
11	P3	POST	1996		1
13	SS	SEALING STRIP	Trim to suit		2 ROLLS
14	PCE1	ROOF PANEL	1150 x 1050		2
15	PCC2	ROOF PANEL	1150 x 1030		1
16	RC1	ROOF STRIP	1130		4
17	2MD	ROOF EDGE TRIM	Trim to fit		4
18	EC40	PLASTIC END CAP	40 X 40		9

Fittings	Bolt set M10	Nut	Washer	Black Cap	T25	T50	AB1210
	M10 x 60mm				25mm Tech screw	50mm Tech screw	M10 X 100mm Concrete Bolt
<b>Pack A</b>	30	30	60	60	72	30	8
<b>Required</b>	30	30	60	60	52	20	7
<b>Spare</b>	0	0	0	0	20	10	1
<b>Image</b>							

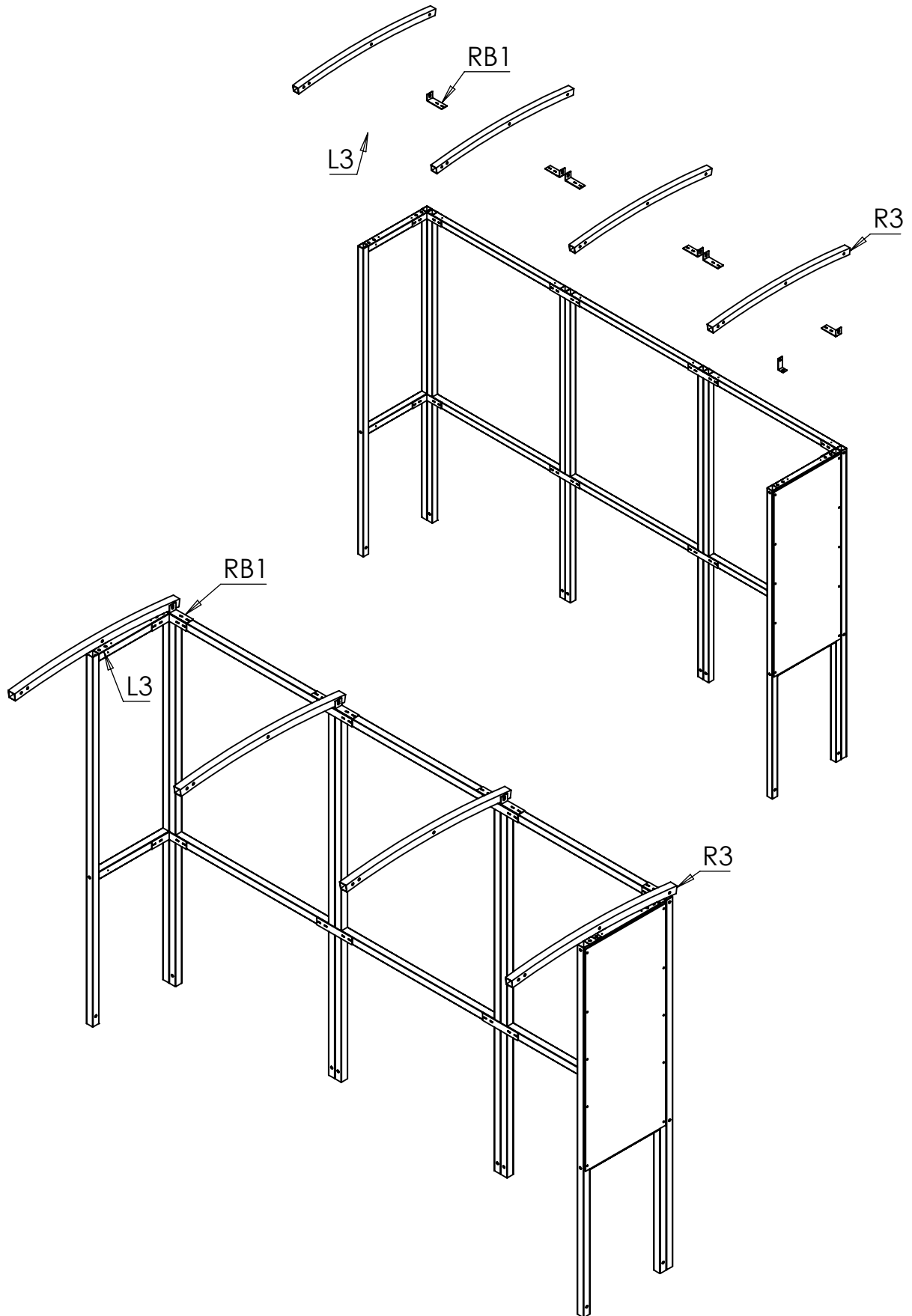
**Step 1** Assemble **S1** frames to make up the main structure using **CB1** brackets in the corners and **JF1** brackets on the straight joints.



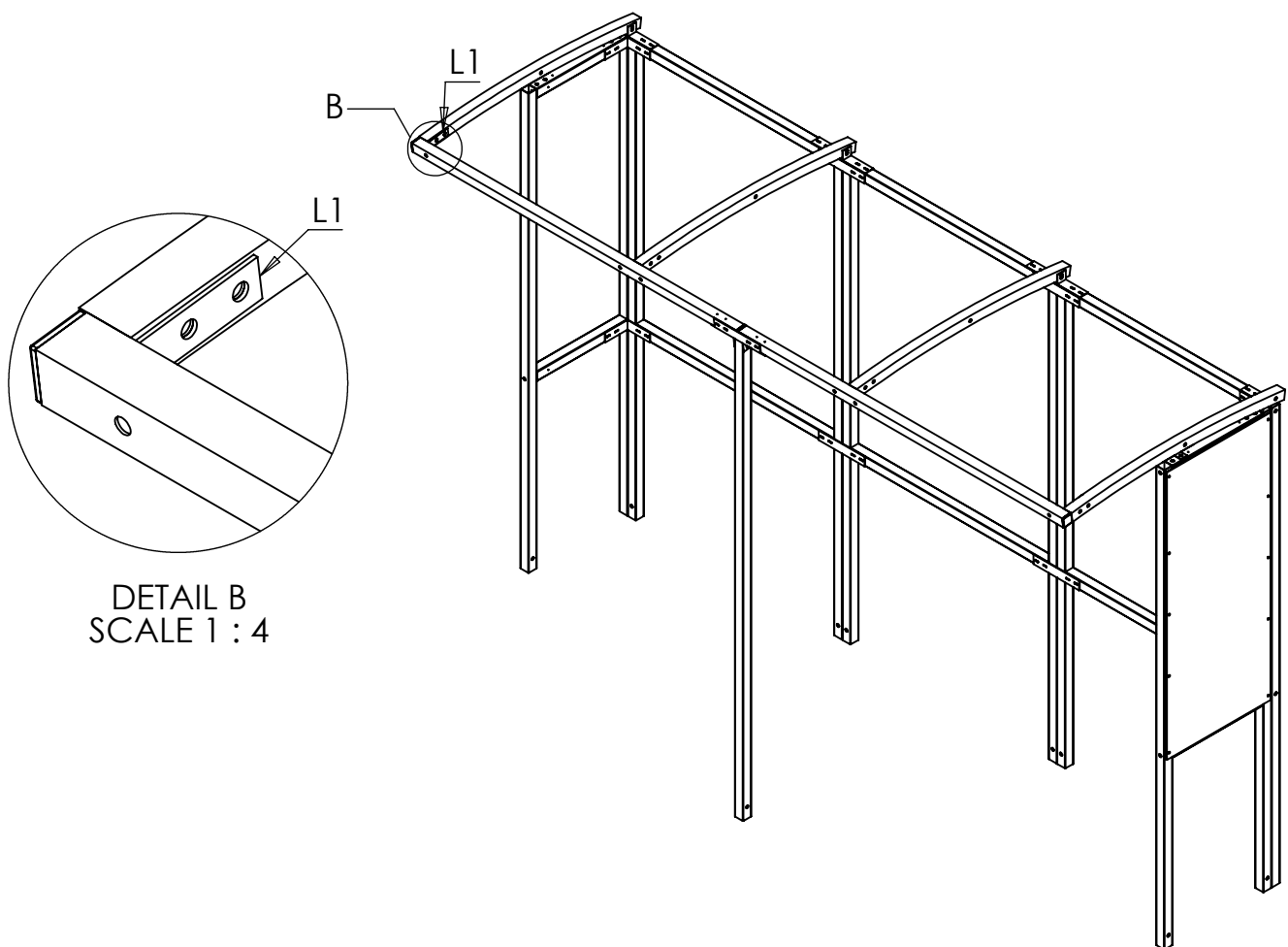
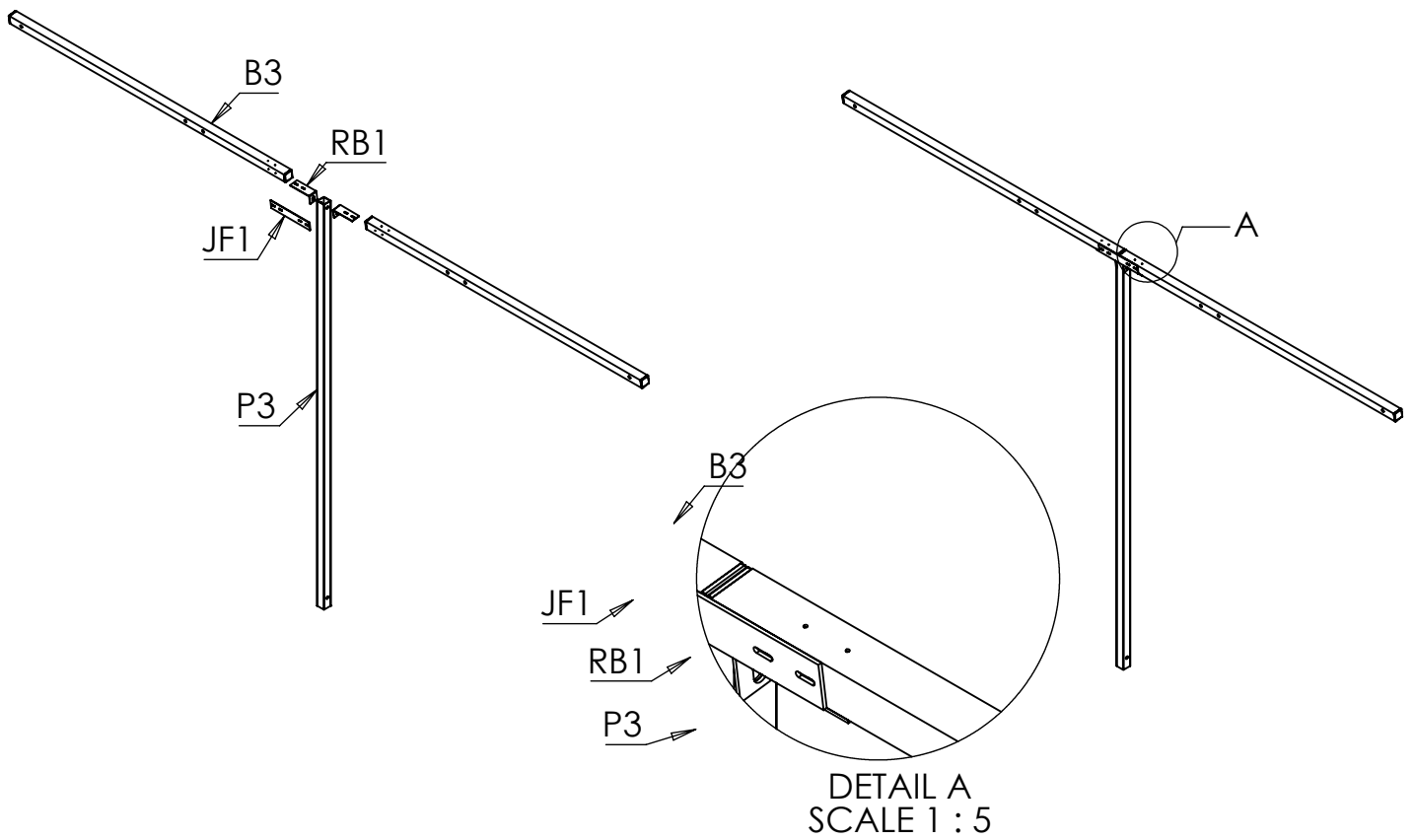
**USE DIMENSIONS TO CHECK ALIGNMENT OF THE SHELTER**



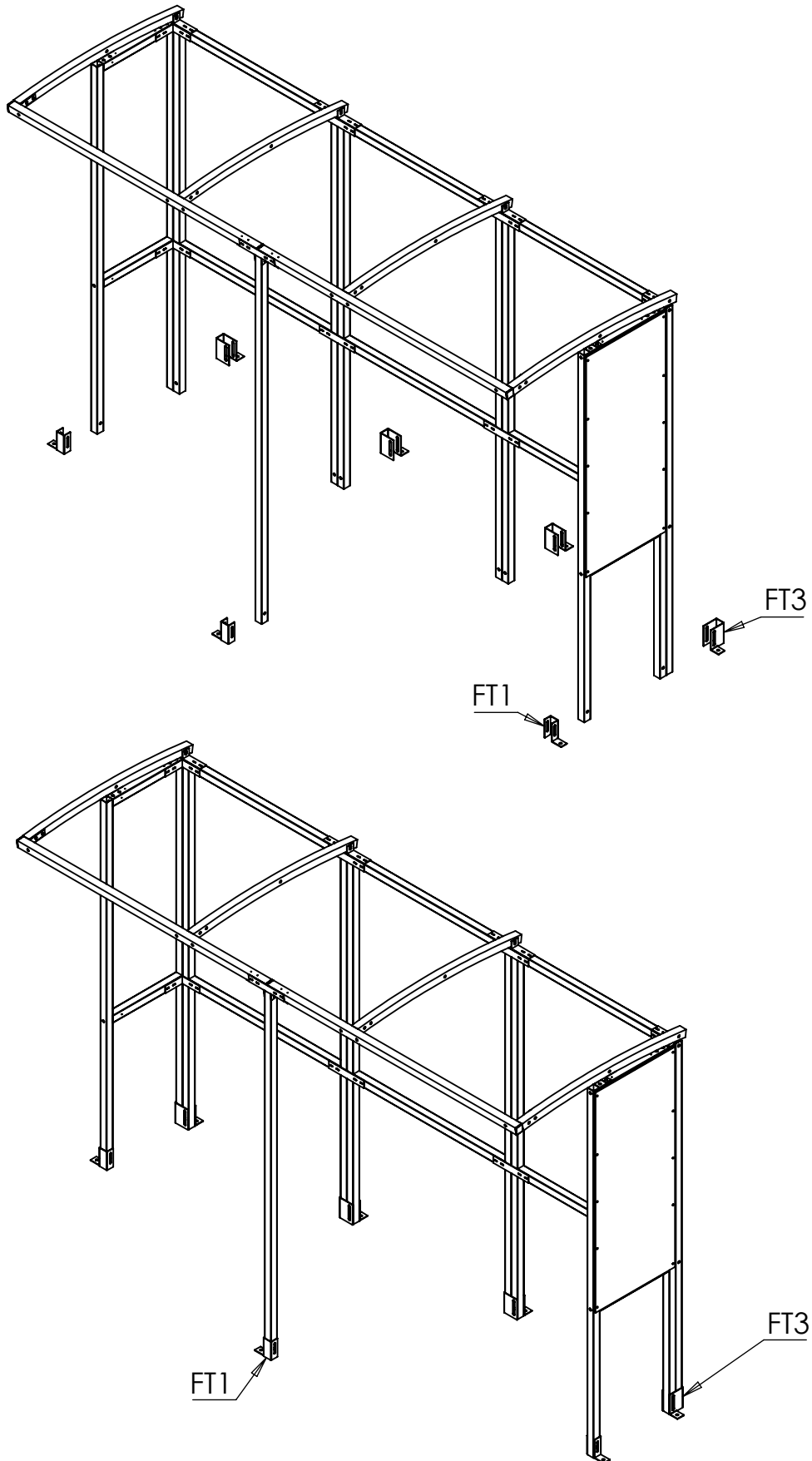
**Step 2** Attach **R3** rafters using **RB1** brackets on the back of the shelter and **L3** brackets in the middle.



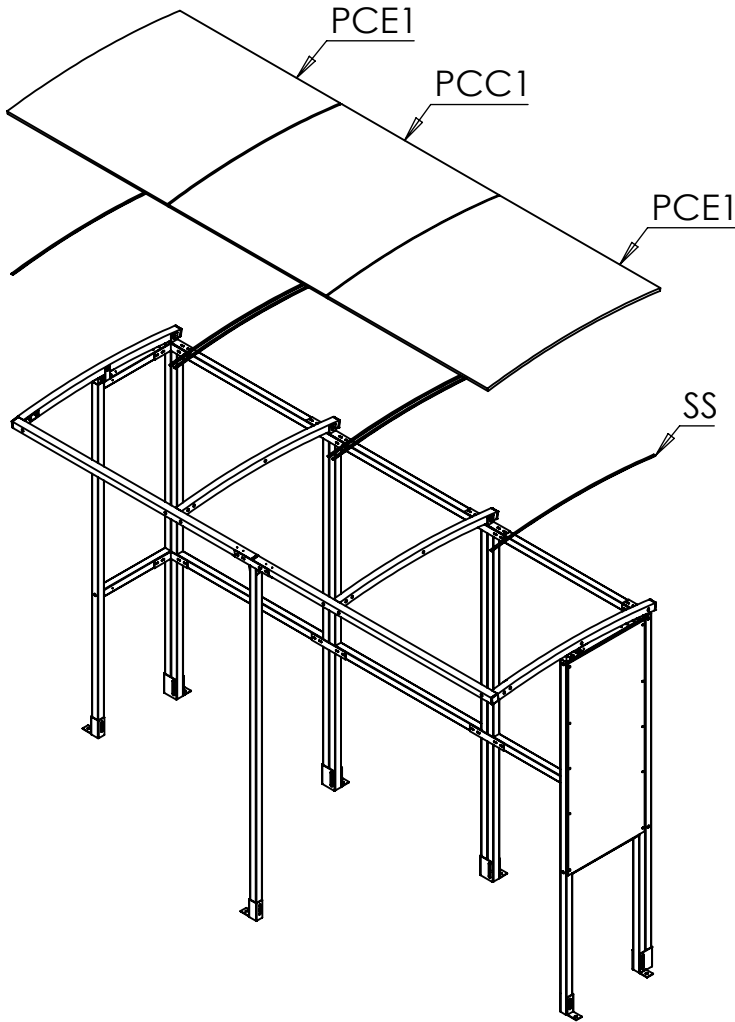
**Step 3** Assemble the **B3**'s and P1 using the JF1 and RB1 brackets as shown below. Attach front beams (**B3**) and centre post (**P3**) to the rafters using the L1 brackets.



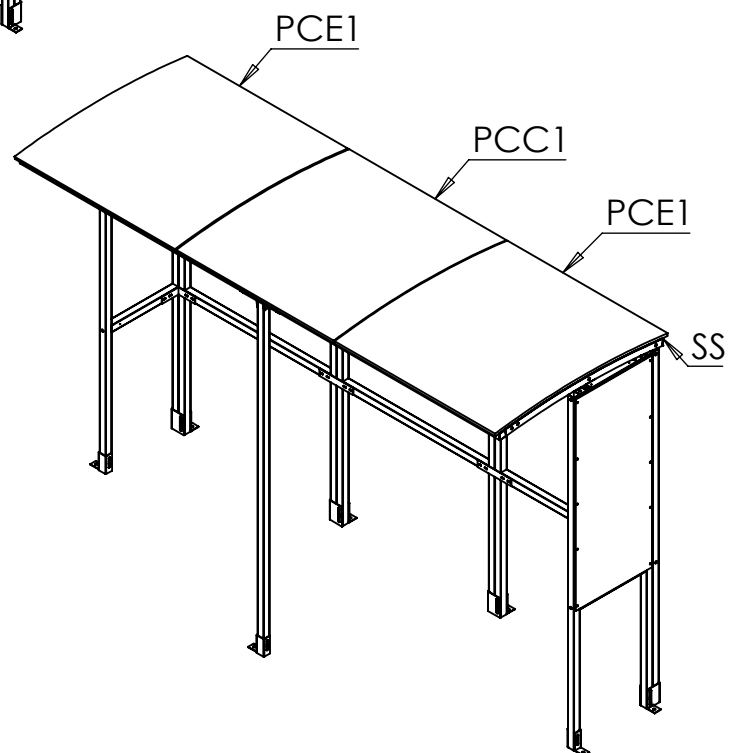
**Step 4** Attach the **FT1** and **FT3** foot brackets, Move the Shelter into its final position and make sure its square. Then use concrete anchor bolts to secure it to the the ground.



**Step 5** Apply the sealing strips (**SS**) to the top of the R3 rafters as shown. Attach **PCE1** and the **PCC1** roof panels with a small gap between them. Apply more sealing strips to the top of the roof panels directly above the first sealing strips.

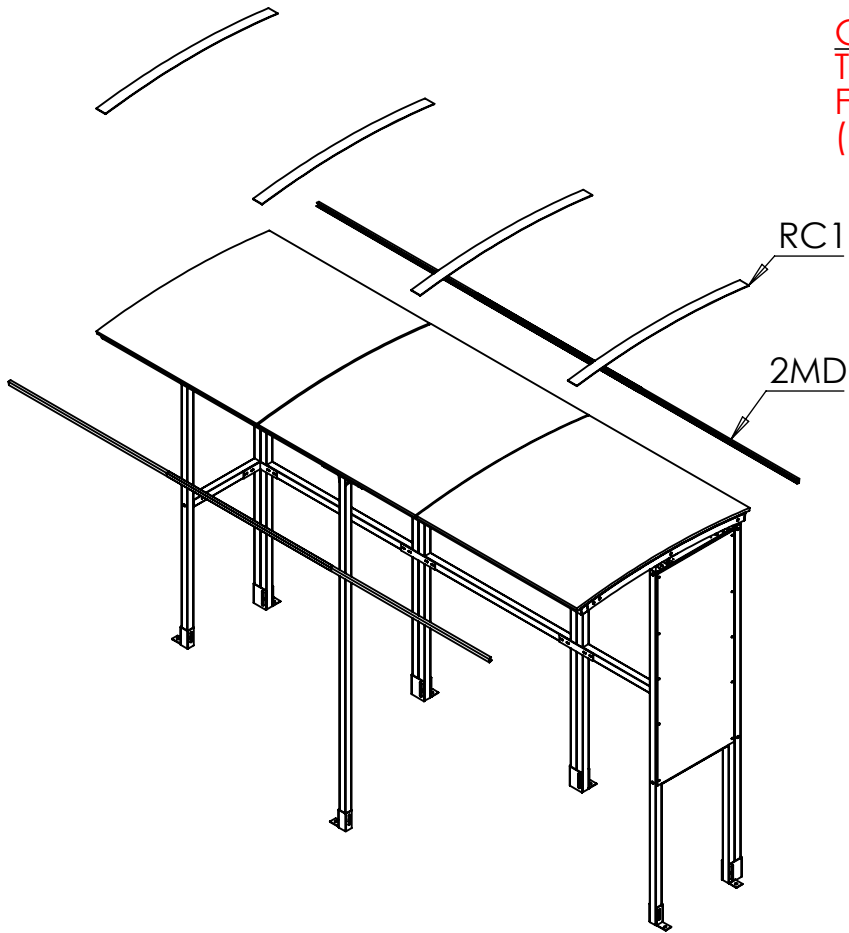


**GENERAL NOTE:**  
THE 50mm TECH SCREWS ARE  
FOR FIXING ROOF STRIPS  
(RC) ONLY

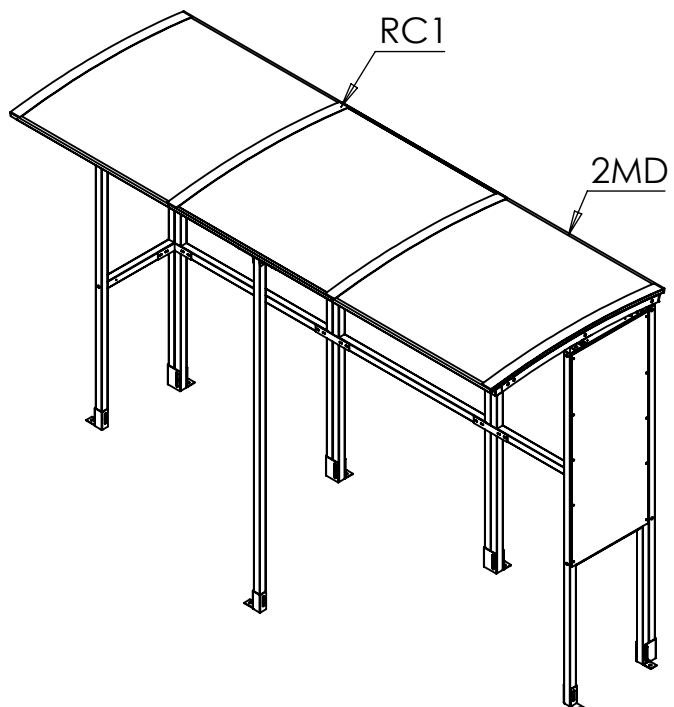




**Step 6** Attach the **RC1** roof strips, screwing directly into the rafters using **50mm Tech Screws**. Push on the **2MD** edge trim. Then fit the Black plastic caps on exposed nuts and bolts. Fit the square end caps (**EC40**) to any open ends of box sections.

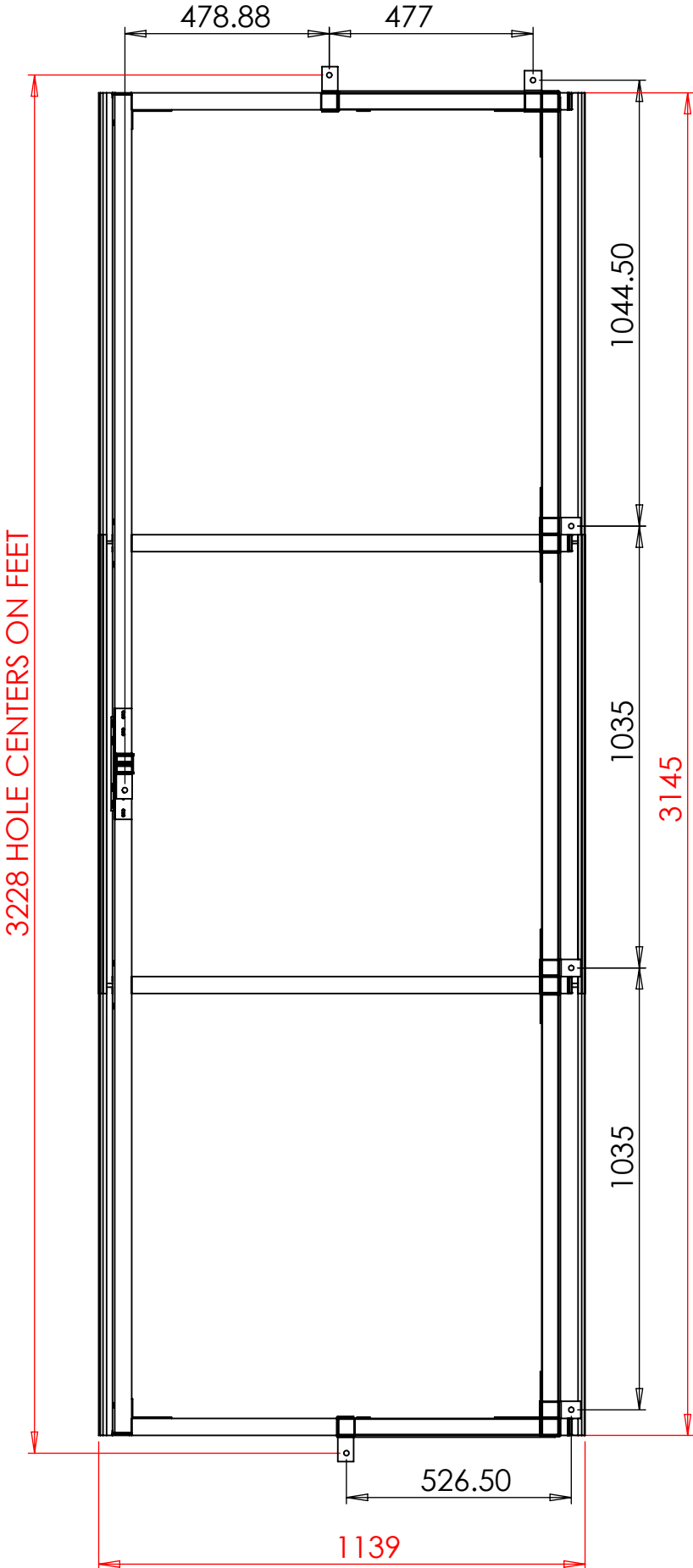


**GENERAL NOTE:**  
THE 50mm TECH SCREWS ARE  
FOR FIXING ROOF STRIPS  
(RC) ONLY



# PLAN VIEW

## OVERALL DIMENSIONS AND GROUND FIXING POSITIONS



Suggested size for concrete base:  
200mm oversized on all four sides.

**NOTES:**

# THANK YOU FOR PURCHASING THIS PRODUCT

## MAINTENANCE:

To ensure your products give you many years of use we recommend that you:

- Clean panels regularly with soapy water
- Ensure all fittings are tight (for example after a big storm)
- Touch up any exposed metal should it get scratched

## CONTACT DETAILS:

Email : Sales@shelters4less.co.uk

Web : www.shelters4less.co.uk

Tel : 0800 160 1002

Unit 3, 2 Lansdowne Crescent, Bournemouth, BH1 1SA

<b>All Parts and Fixing checked by:</b>	
Print Name:	Signature: