

Assembly Instruction



Email : Sales@shelters4less.com

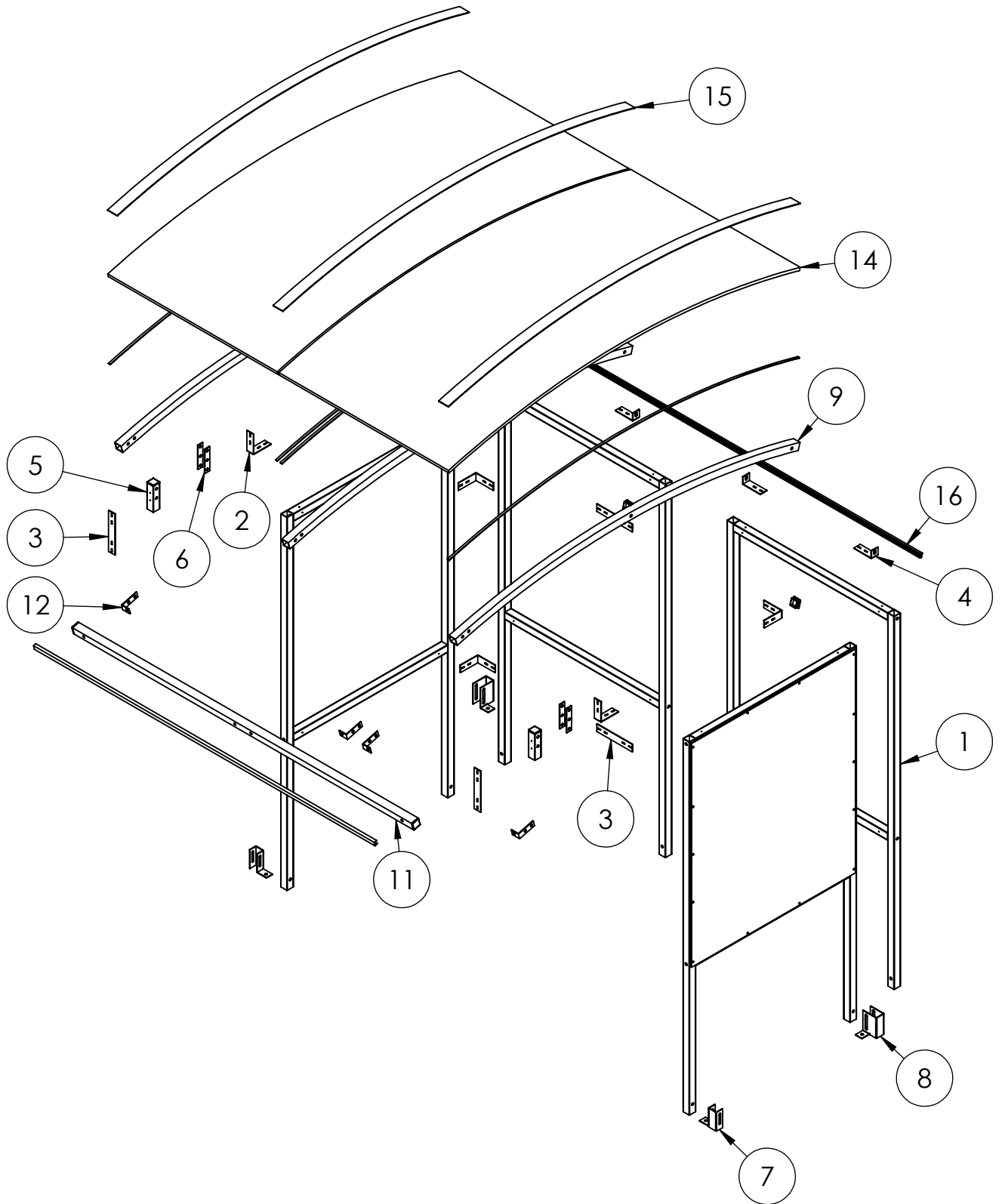
Web : www.shelters4less.com

Tel : 0800 160 1002

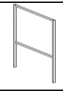
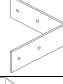

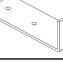
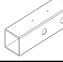
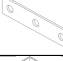
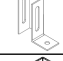
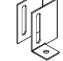



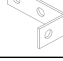
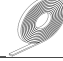



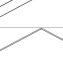
Shelter Type: SR1604

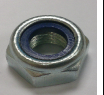


SR1604-01-220116-UK

EXPLODED VIEW

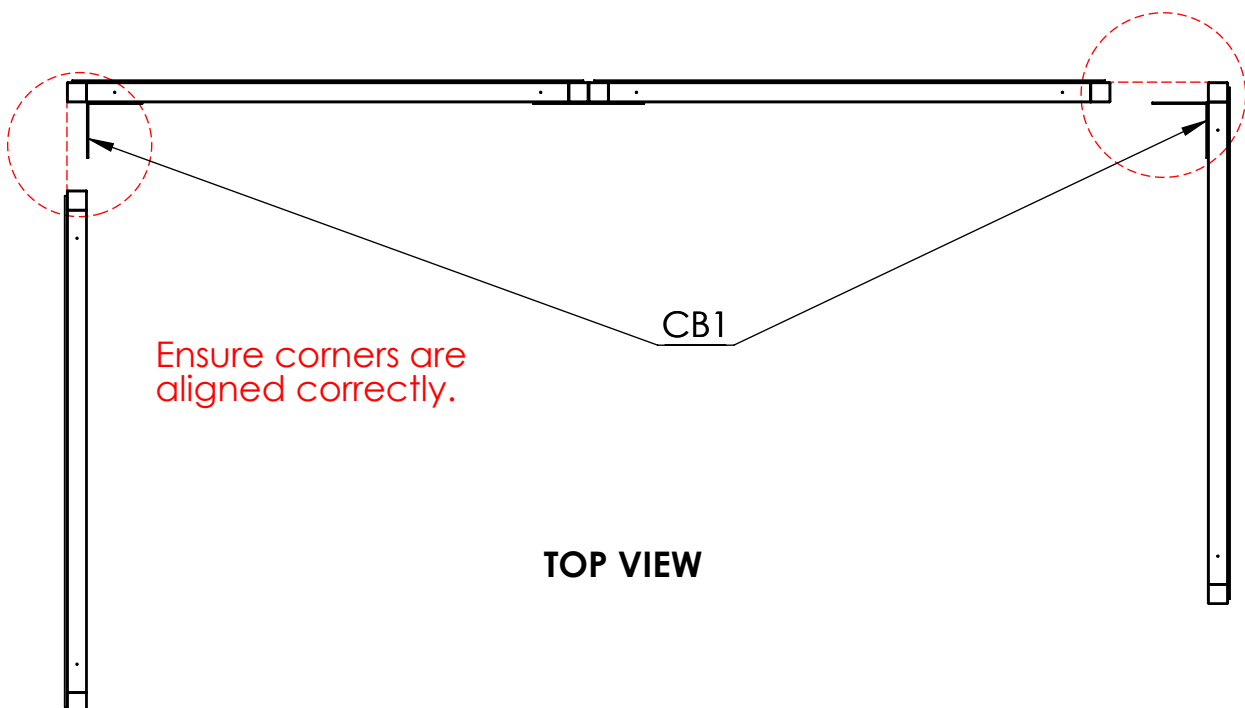
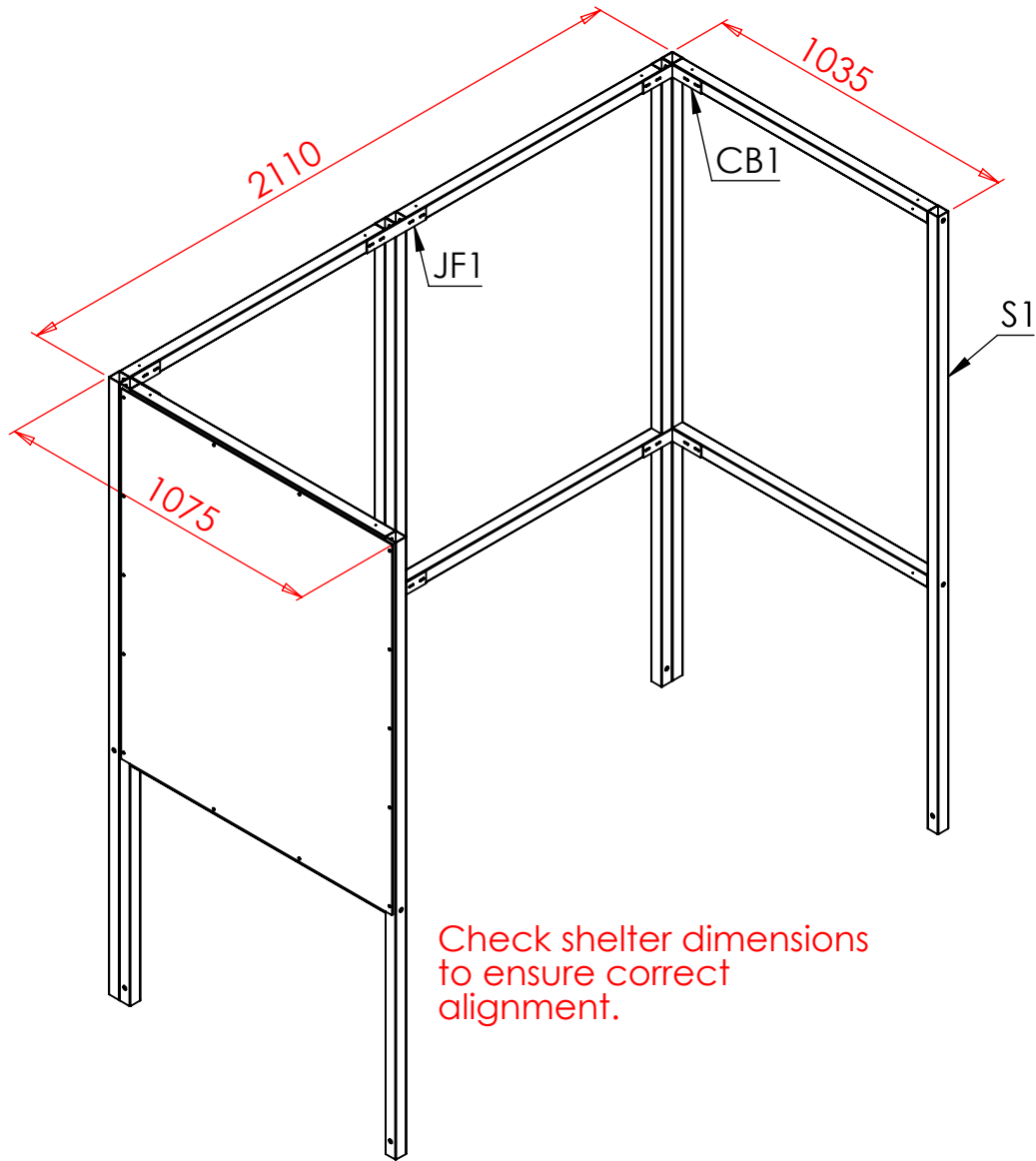


PARTS LIST AND FIXINGS

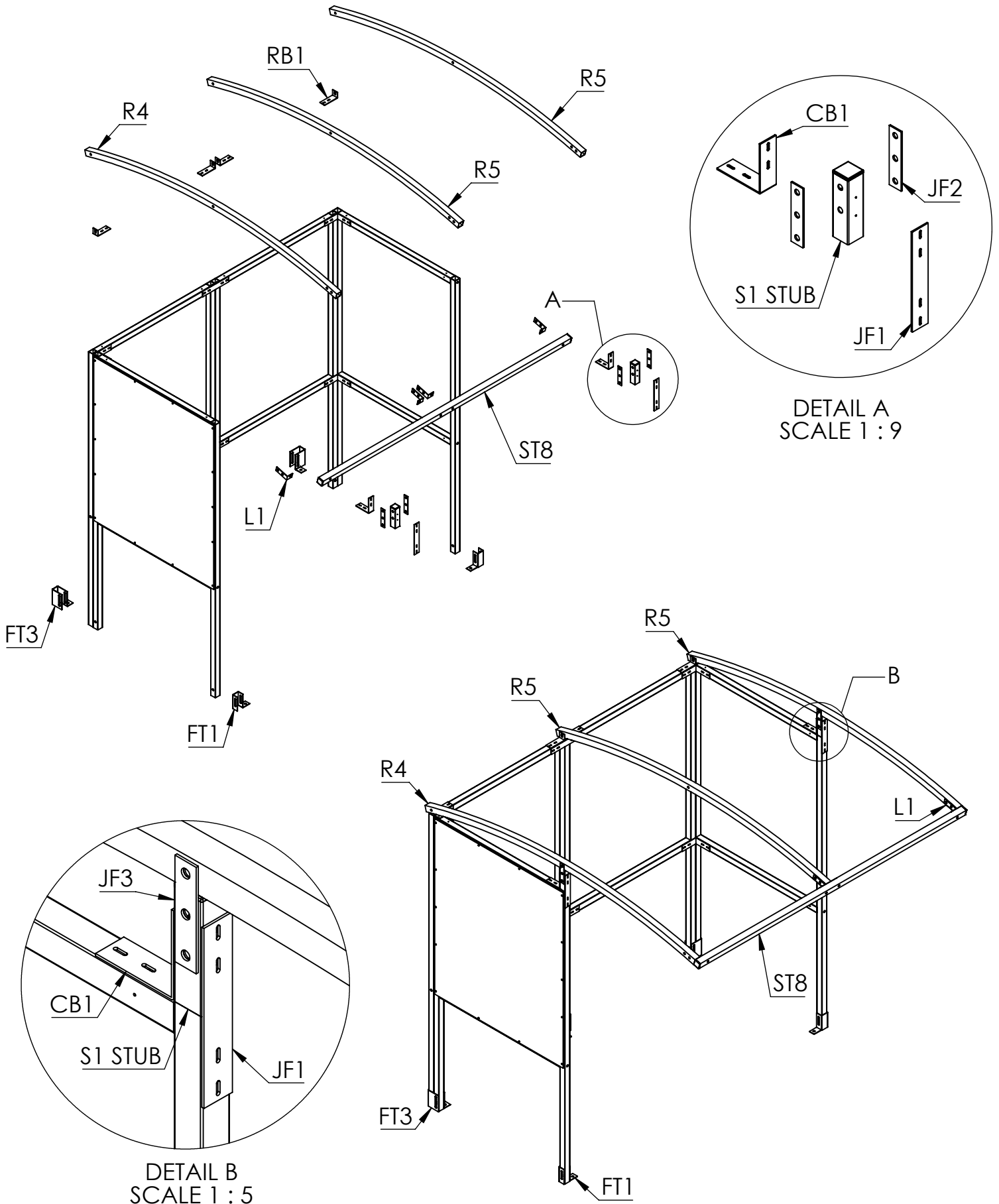
ITEM NO.	PART NO.	DESCRIPTION	DIMENSION	IMAGE	QTY.
1	S1	FRAME	2000 x 1035		4
2	CB1	CORNER BRACKET	110 x 110		4
3	JF1	BRACKET	220 x 40		2
4	RB1	BRACKET	110 x 46		8
5	S1 STUB	STUB	140 x 40 x40		2
6	JF2	BRACKET	130 x 30		4
7	FT1	FOOT BRACKET	109 x 100 x 40		2
8	FT3	FOOT BRACKET	109 x 100 x 80		3
9	R5	RAFTER	2160 x 40 x 40		2
10	R4	RAFTER	2160 x 40 x 40		1
11	ST8	ROOF TIE	2100 x 40 x 40		1
12	L1	BRACKET	95 x 45 x 30		4
13	SS	SEALING STRIP	Cut to length		2 ROLLS
14	PCE2	ROOF PANEL	2205 x 1050		2
15	RC2	ROOF STRIP	2205		3
16	2MD	ROOF EDGING	Cut to fit		3
17	EC40	PLASTIC END CAP	40x40		5

FIXINGS	Bolt set M10	Nut	Washer	Black Cap	T25	T50	AB1210
	M10 x 60mm				25mm Tech screw	50mm Tech screw	M10 X 100mm Concrete Bolt
Pack A	30	30	60	60	72	30	8
Required	24	24	48	48	52	30	5
Spare	6	6	12	12	20	0	3
Image							

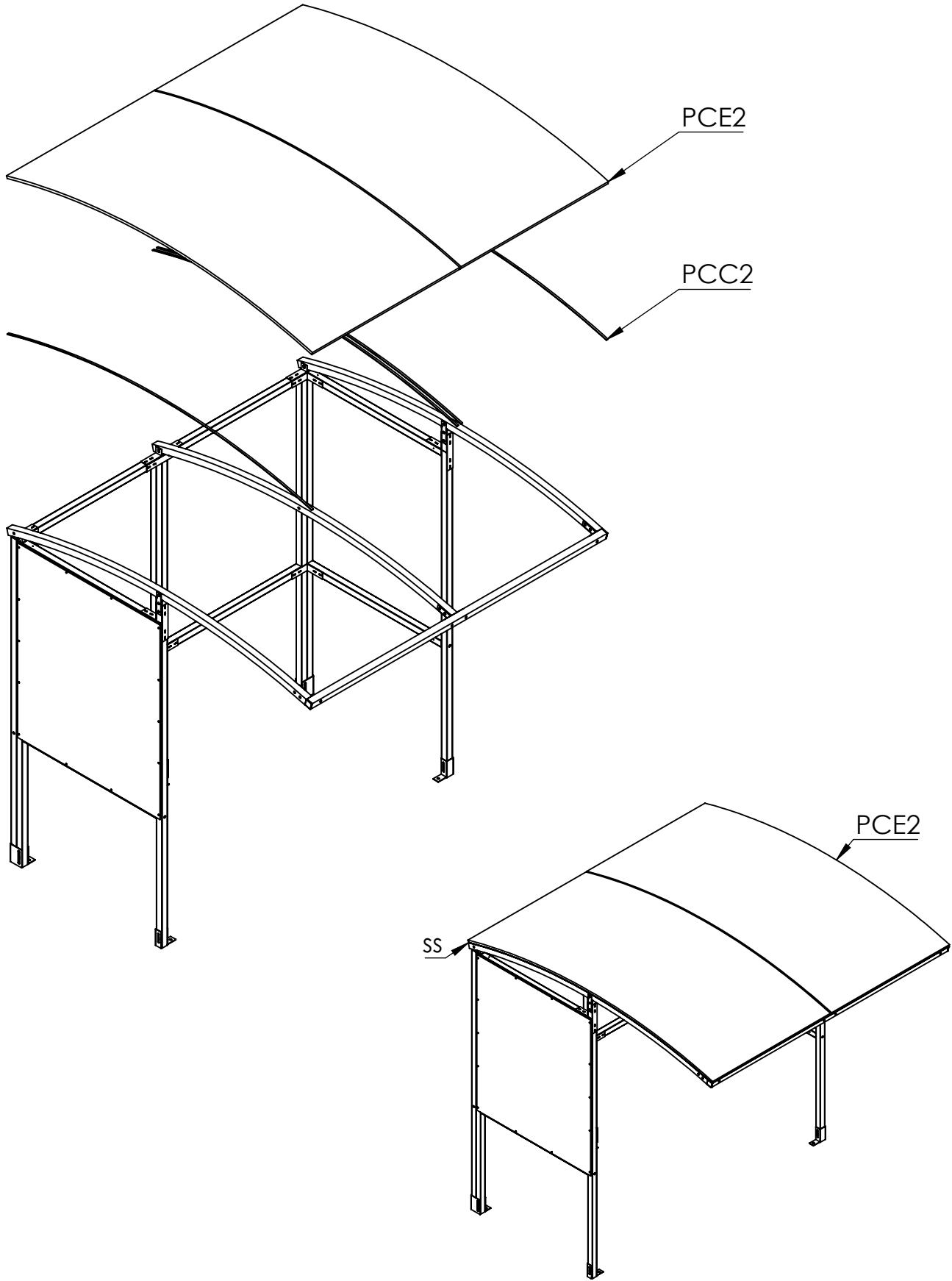
Step 1 Assemble **S1** frames to make up the main structure using **CB1** brackets in the corners and **JF1** brackets for the straight joints.



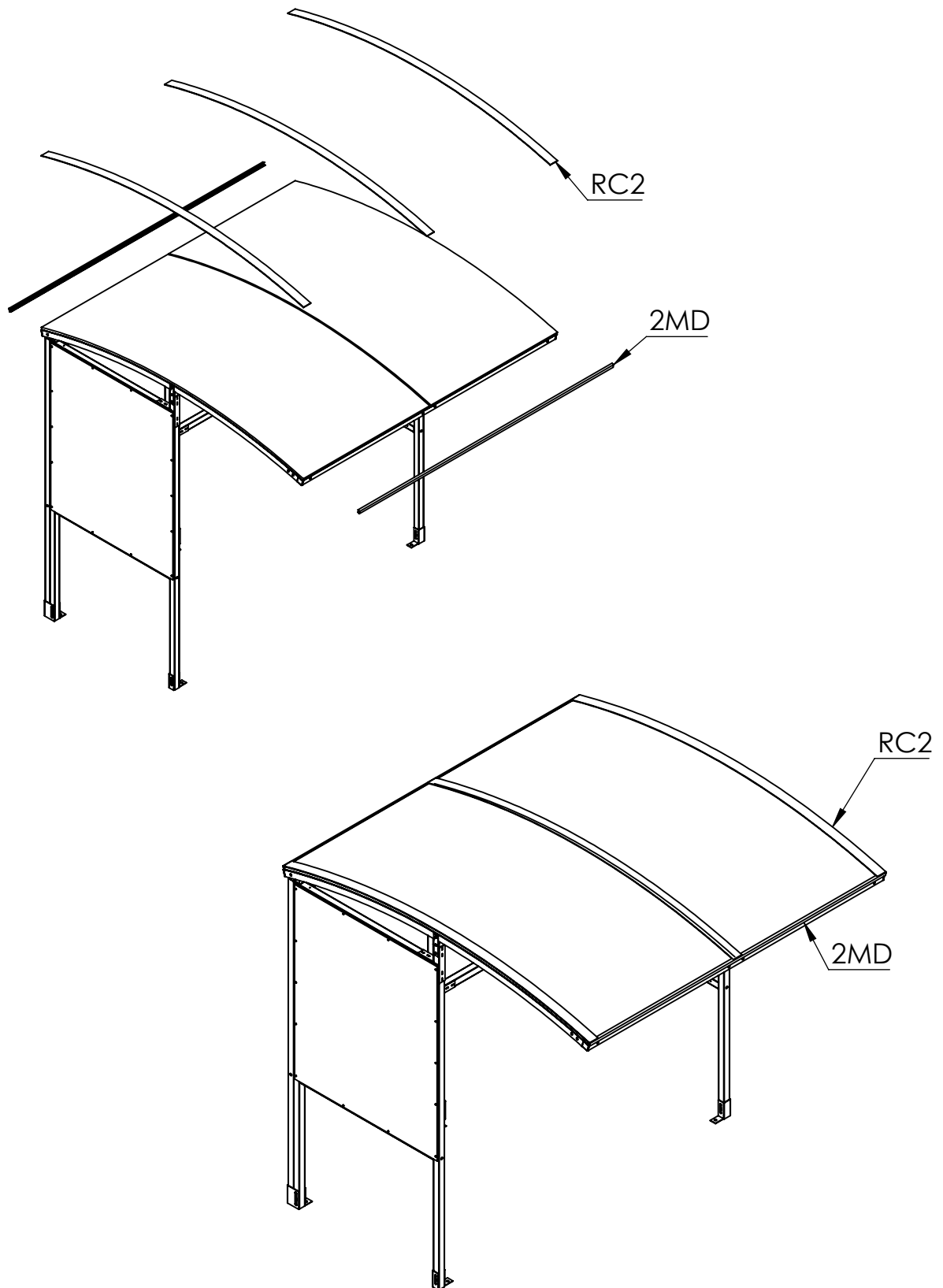
Step 2 Move the shelter in to its final position, make sure it is square and attach **FT1 and FT3** foot brackets, which screw into the ground with the concrete bolts. Attach **JF2** brackets to **S1 Stubs**. Using **CB1** and **JF1** brackets, secure **SB1** to frame. Now fix the **RB1** brackets to the rear of the frame, attach **R4 & R5** rafters. Use **L1** brackets to attach **ST8** tie bar.



Step 3 Apply sealing strips (**SS**) to rafters. Align the two **PCE2** roof panels with the outer edges of the shelter, leaving a gap in between the panels.

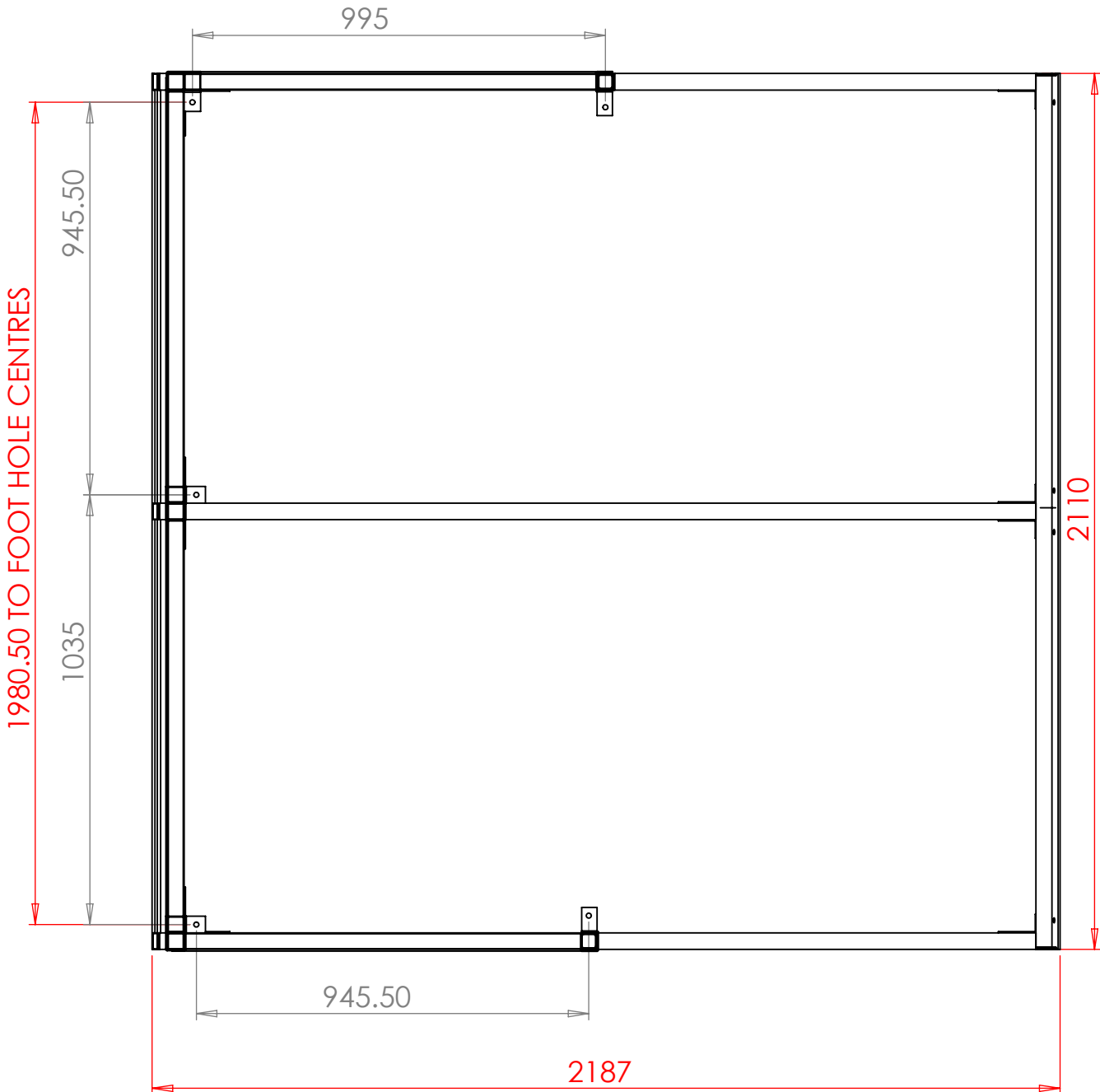


Step 4 Apply more sealing strips (**SS**) to the top of the roof panels, above the fist strips. Use **RC2** strips to cover the gap in the centre and the edges and screw them directly into the frame using **50mm TEC screws**. Finish of the shelter by attaching the **2MD** edge trim, then finally, fit the Black plastic caps on exposed nuts and bolts, and fit the square end caps (**EC40**) to any open ends of box sections.



Plan View

Suggested size for concrete base: 200mm oversized on all four sides



Notes:

Notes:

Notes:

THANK YOU FOR PURCHASING THIS PRODUCT

MAINTENANCE:

To ensure your products give you many years of use we recommend that you:

- Clean panels regularly with soapy water
- Ensure all fittings are tight (for example after a big storm)
- Touch up any exposed metal should it get scratched

CONTACT DETAILS:

Email : Sales@shelters4less.co.uk

Web : www.shelters4less.co.uk

Tel : 0800 160 1002

Unit 3, 2 Lansdowne Crescent, Bournemouth, BH1 1SA

All Parts and Fixings checked by:	
Print Name:	Signature: