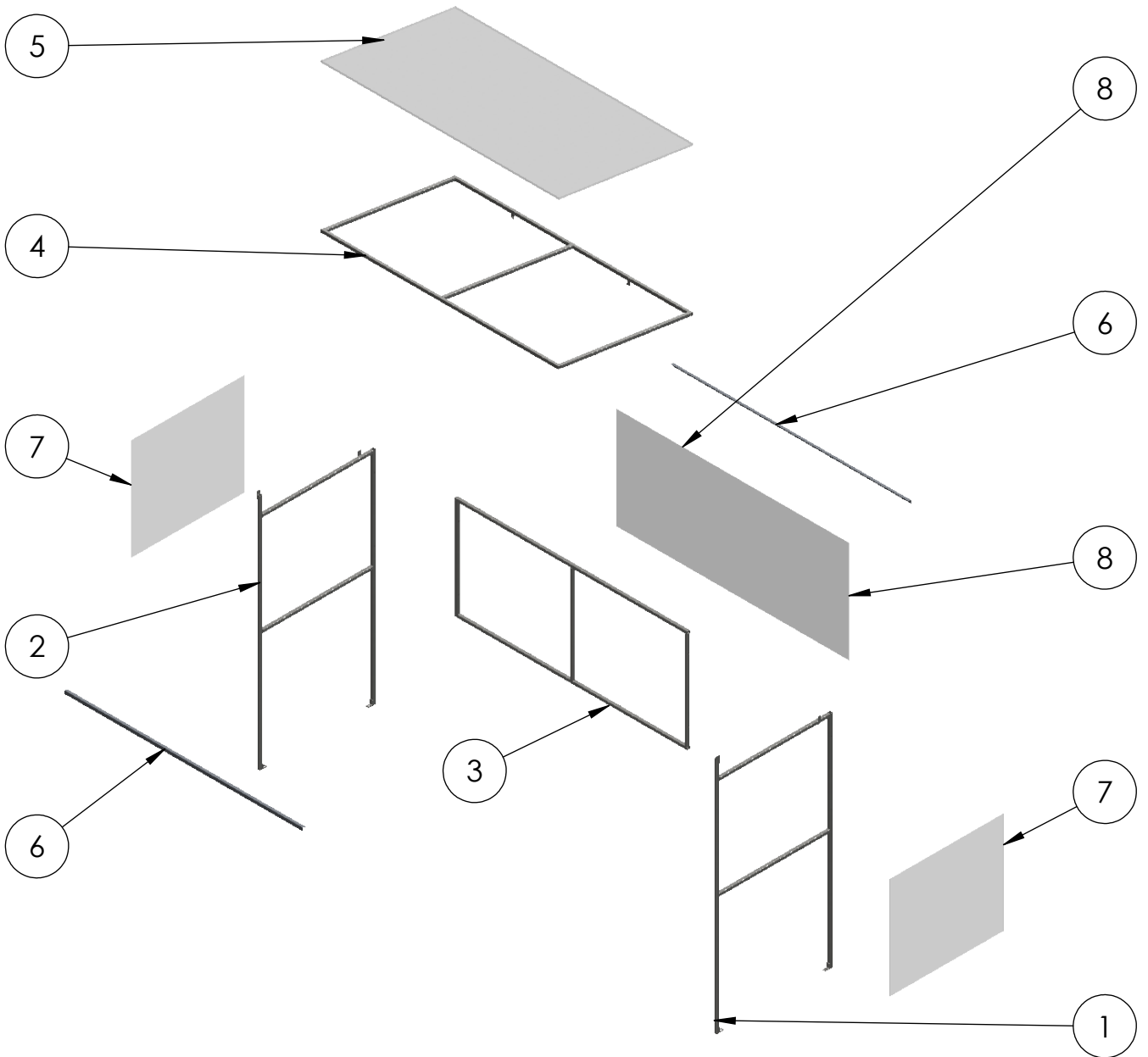


Assembly Instructions



EXPLODED VIEW



Tools required:



Drill/Screwdriver



Spanners



Mallet




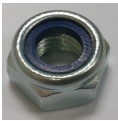
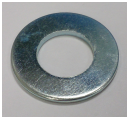



Torx bit



Hack saw

PARTS LIST

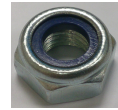
ITEM NO.	PART NO.	DESCRIPTION	DIMENSIONS (mm)	IMAGE	QTY.
1	LH1	Left Side Frame	2100 x 1025		1
2	RH1	Right Side Frame	2100 x 1025		1
3	BF1	Back Frame	910 x 2050		1
4	RF1	Roof Frame	2100 x 1200		1
5	RP	Polycarbonate Roof Panel	2100 x 1200		1
6	RA1	Roof Strip	2100 x 25		2
7	SP	Polycarbonate Side Panel	1005 x 900		2
8	RP	Polycarbonate Rear Panel	2050 x 900		1

Fittings						
	M10 x 60mm	Nuts	Washers	25mm Tech screws	37mm Tech screws	M10/12 x 100mm Concrete Bolt (BTANCM12100)
QTY.	4	4	12	100	30	4
Image						

Step 1 Assemble frames to make up the main structure using **LH1**, **RH1** and **BF1** Frames.



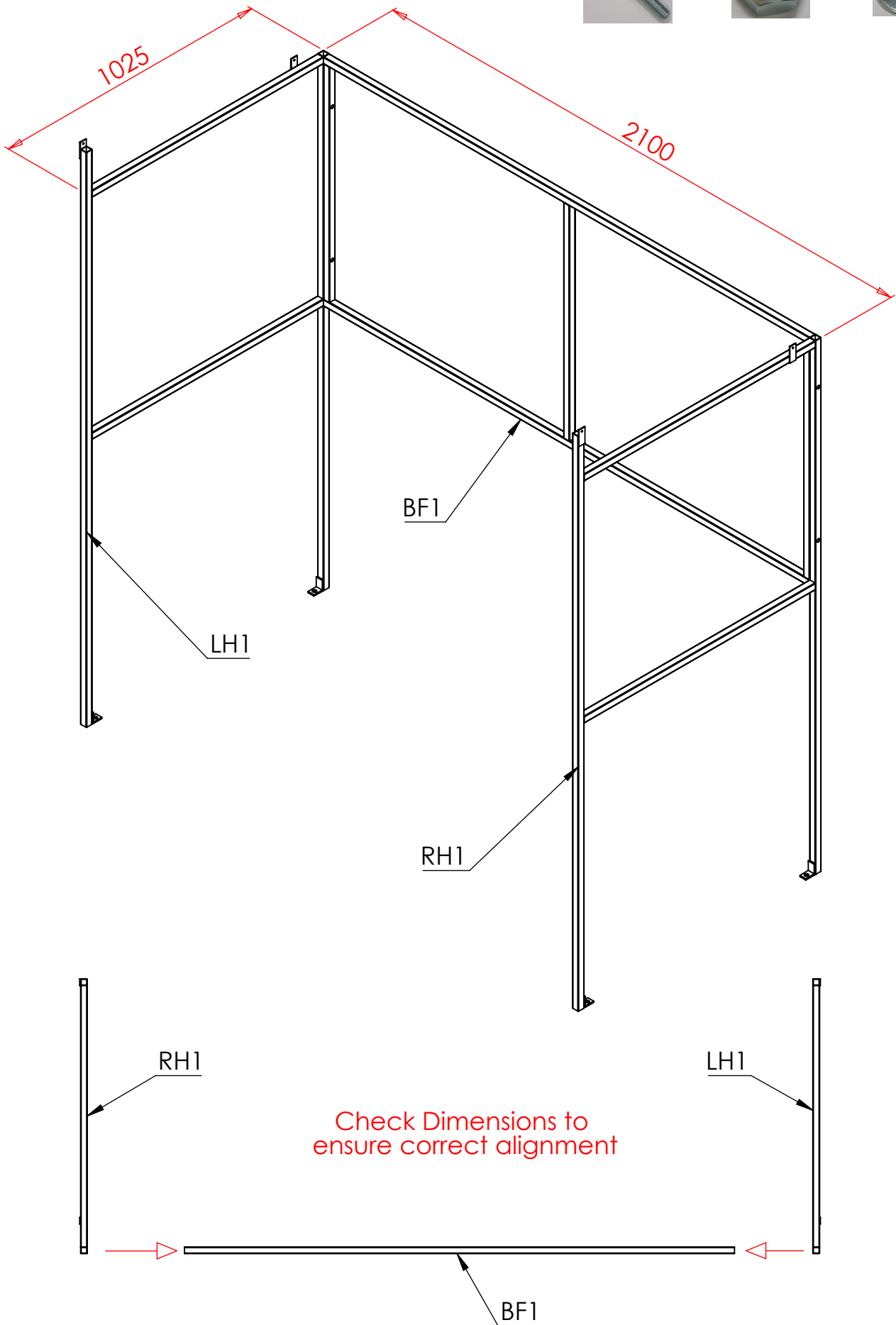
x4



x4



x8

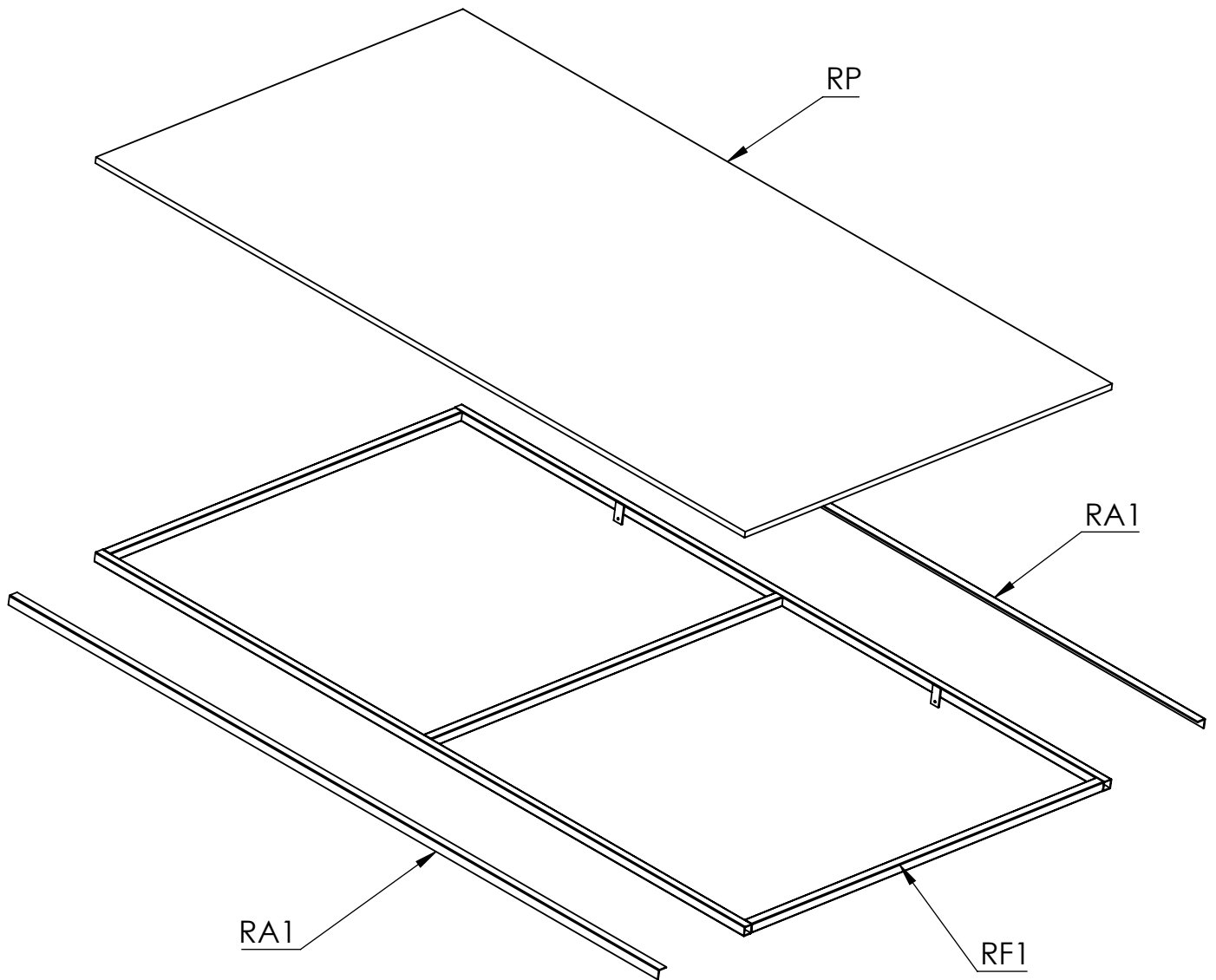


Step 2 Fasten the **ROOF PANEL (RP)** to the **ROOF FRAME (RF1)** then screw down the **Roof strip (RA1)** to front and back of the shelter.



x35

37mm Tech screws

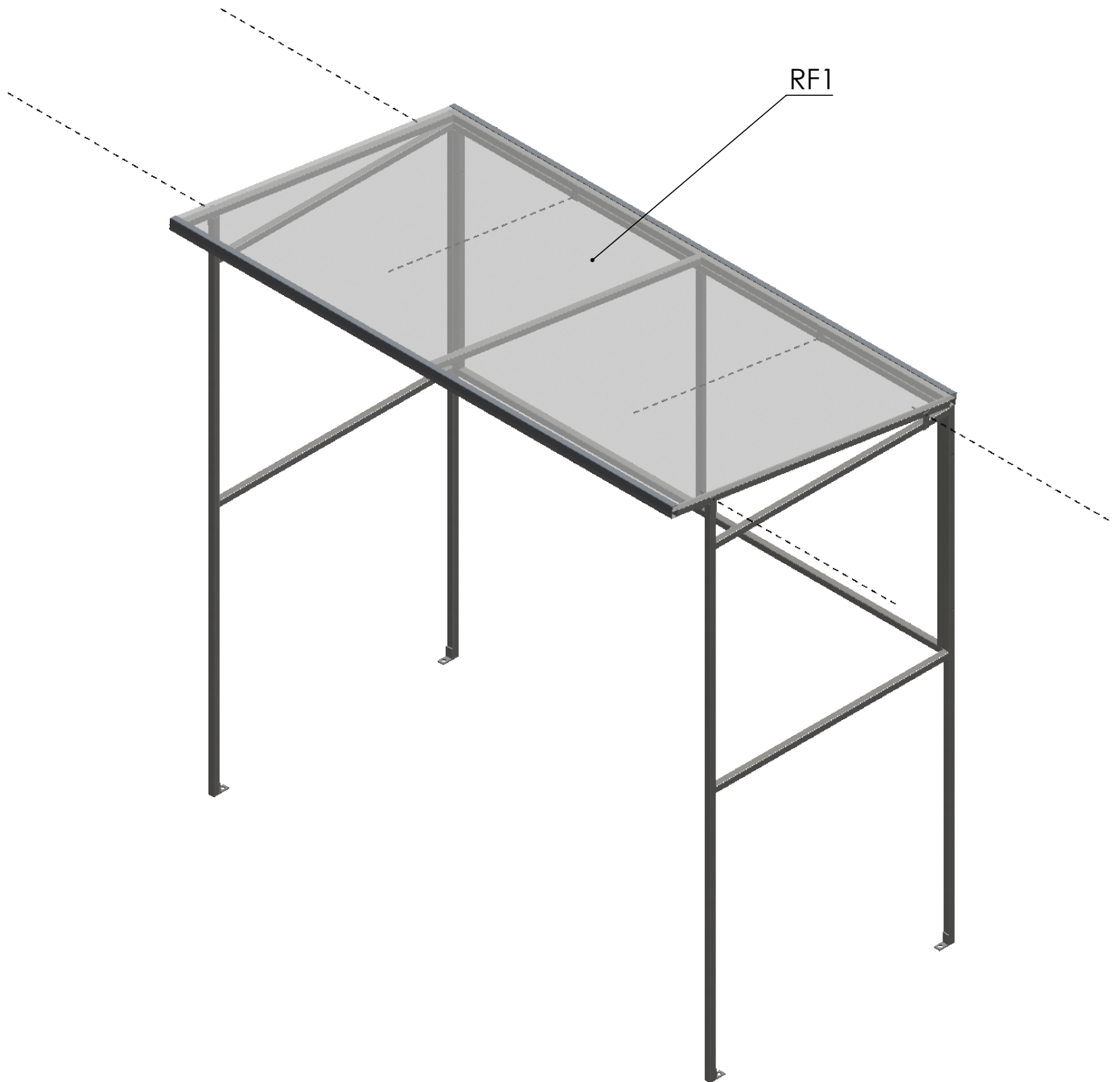


Step 3 Attach **Roof Frame (RF1)** to main frame using **TEC-SCREWS** supplied with the kit.



x6

25mm Tech screws

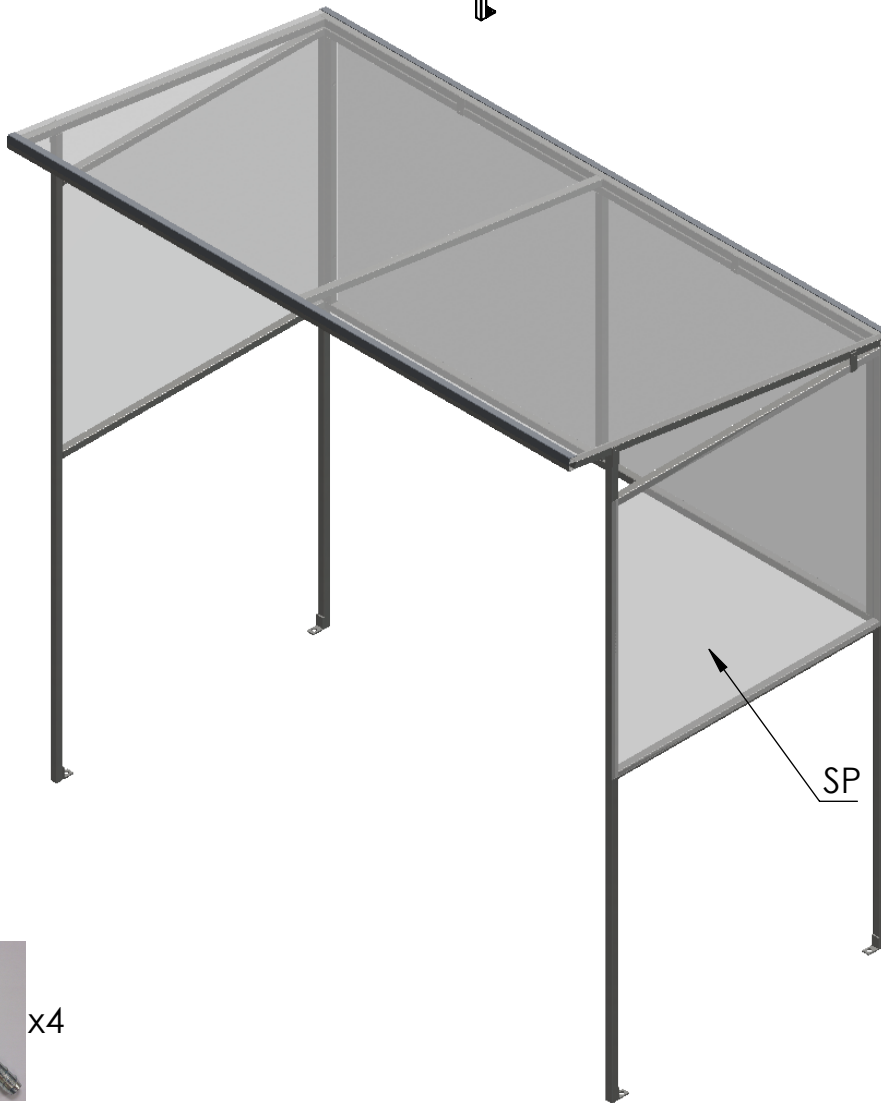
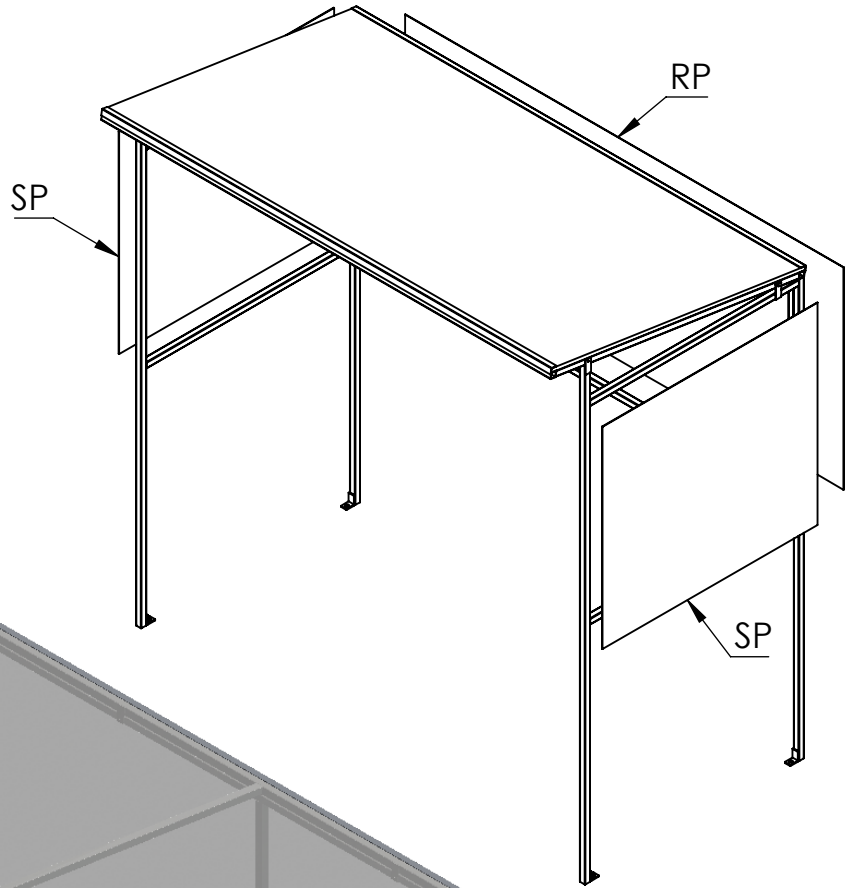


Step 4 Attach **SIDE PANELS (SP)** and **REAR PANELS (RP)** to the frames and secure them using **TEC-SCREWS**.



x64

25mm Tech screws



x4

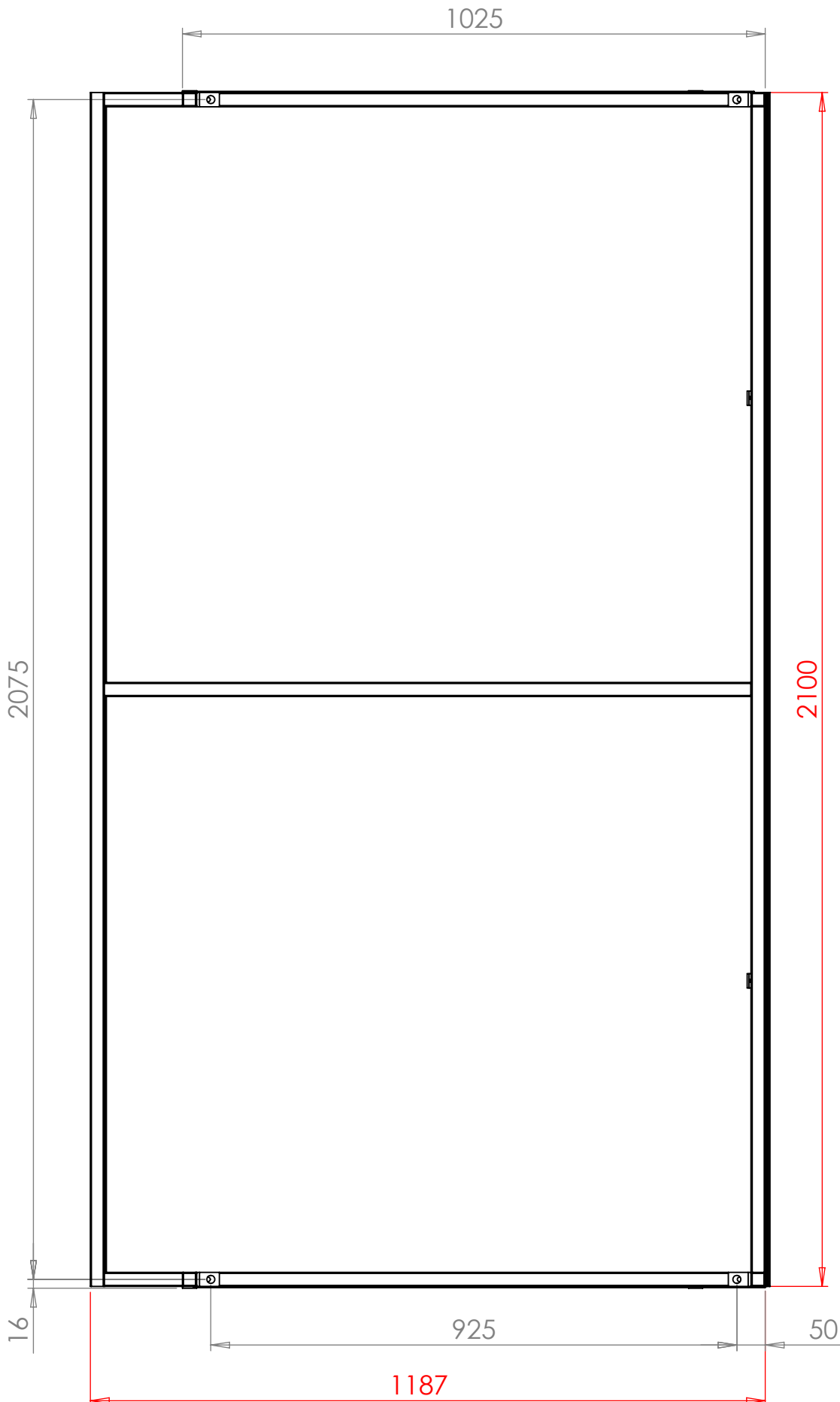
Move shelter to desired position and bolt to ground using the Concrete bolts supplied within the kit. And

ENJOY!

PLAN VIEW

OVERALL DIMENSIONS AND GROUND FIXING POSITIONS

Suggested size for concrete base: 200mm oversized on all sides



NOTES:

NOTES:

NOTES:

THANK YOU FOR PURCHASING THIS PRODUCT

MAINTENANCE:

To ensure your products give you many years of use we recommend that you:

- Clean panels regularly with soapy water
- Ensure all fittings are tight (for example after a big storm)
- Touch up any exposed metal should it get scratched

CONTACT DETAILS:

Email : Sales@shelters4less.co.uk

Web : www.shelters4less.co.uk

Tel : 0800 160 1002

Shelters4Less, Unit 3, 2 Lansdowne Crescent, Bournemouth, BH1 1SA

All Parts and Fixings checked by:	
Print Name:	Signature: