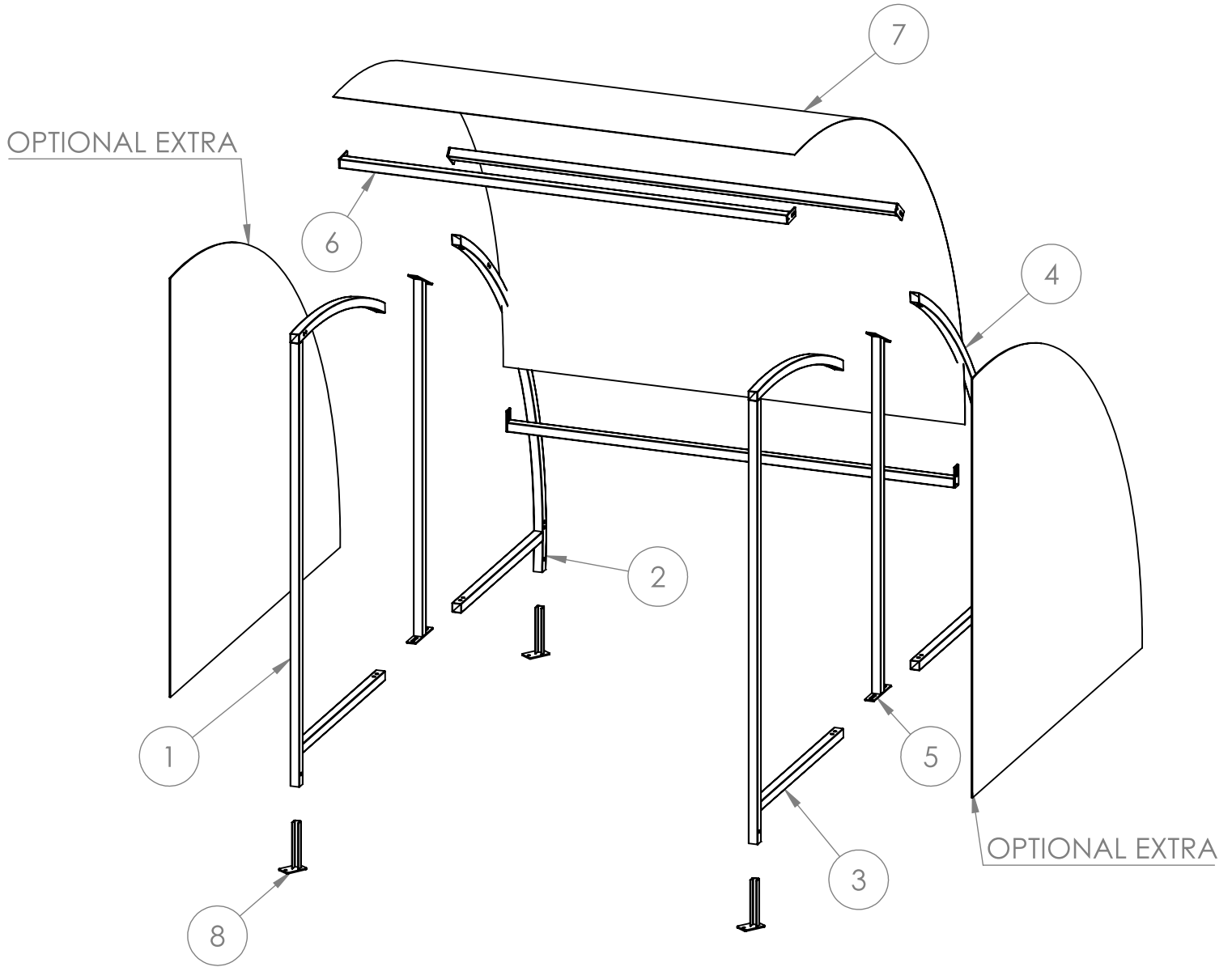


# Assembly Instructions



# Exploded View



## Tools required: (Not supplied)

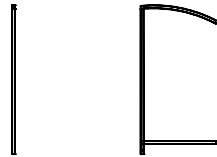
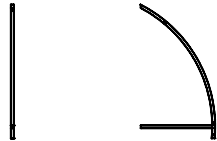
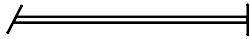



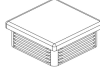


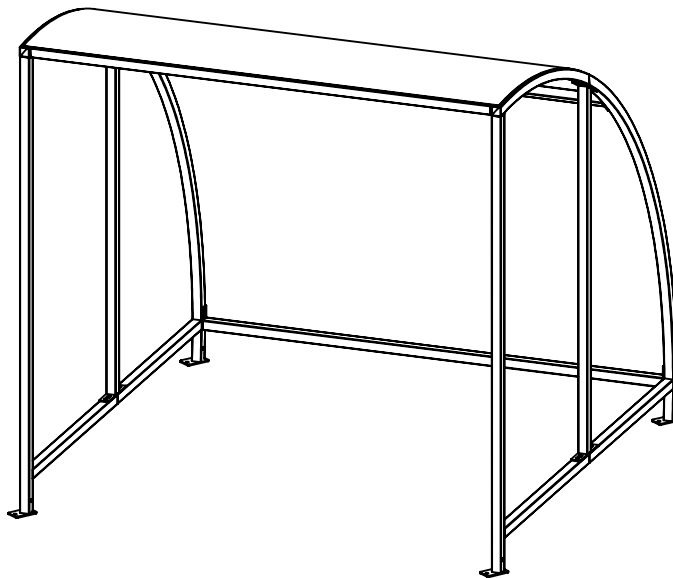
Drill











Socket set

# PARTS LIST & FITTINGS

ITEM NO.	PART NAME	DRG NUMBER	LEFT / RIGHT	IMAGE	QTY.
1	LFF - Lutton Front Frame Assembly - LS	LFF (LS-004-01)	Left		1
2	LFF - Lutton Front Frame Assembly - LS	LFF (LS-004-01)	Right		1
3	LRF - Lutton Rear Frame Assembly - LS	LRF (LS-005-01)	Left		1
4	LRF - Lutton Rear Frame Assembly - LS	LRF (LS-005-01)	Right		1
5	LST - Lutton Straight Tie Assembly - LS	LST (LS-006-01)	N/A		2
6	LTB1 - Lutton Tie Bar 1 Assembly - LS	LTB1 (LS-007-01)	N/A		4
7	Kimmeridge Outside Roof Panel	KRP1	N/A		1
8	LIF - Lutton Internal Foot - LS	LIF (LS-026-01)	N/A		4
9	Plastic End Cap	EC40	N/A		2

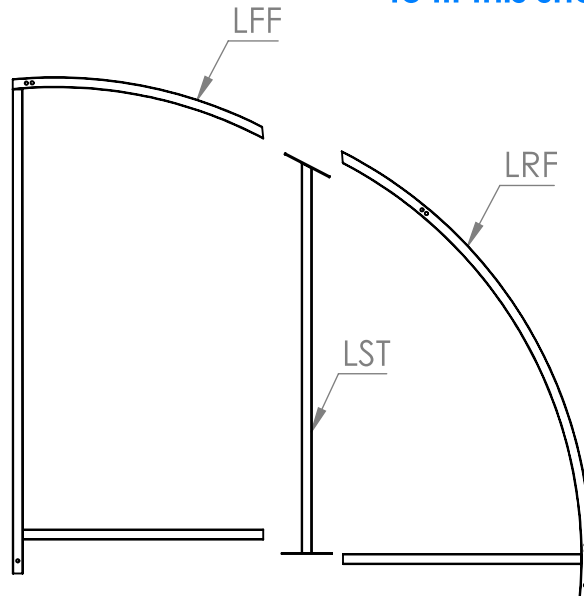


Fittings	M10 x 20 Hex head bolt	M10 x 60 Hex head bolt	M10 x 100 Anchor bolt	M10 Nuts	M10 Standard Washers	M12 Standard Washers	25mm Tech screws	Plastic caps M10
QTY.	28	4	4	4	36	4	46	40
Image								

If you have received the "Split End" version (If not go straight to Step 1)

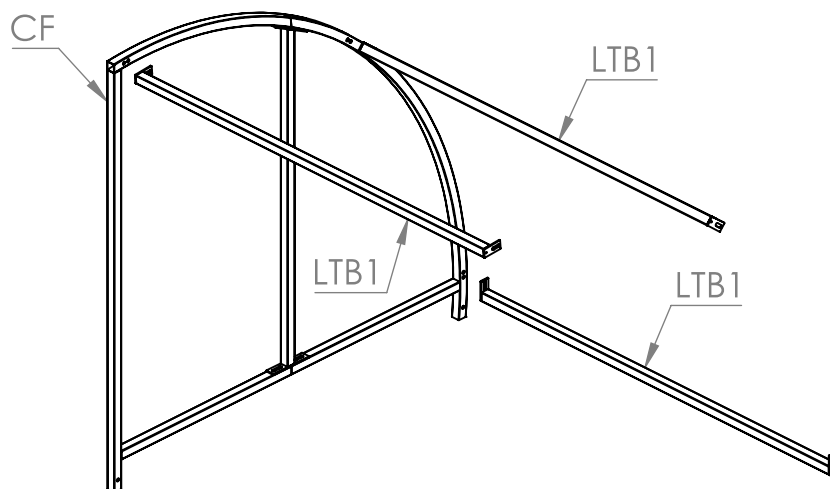
**Join the three frame sections to make the Complete Side Frame using M10 bolts.**

**2 people recommended to fit this shelter.**

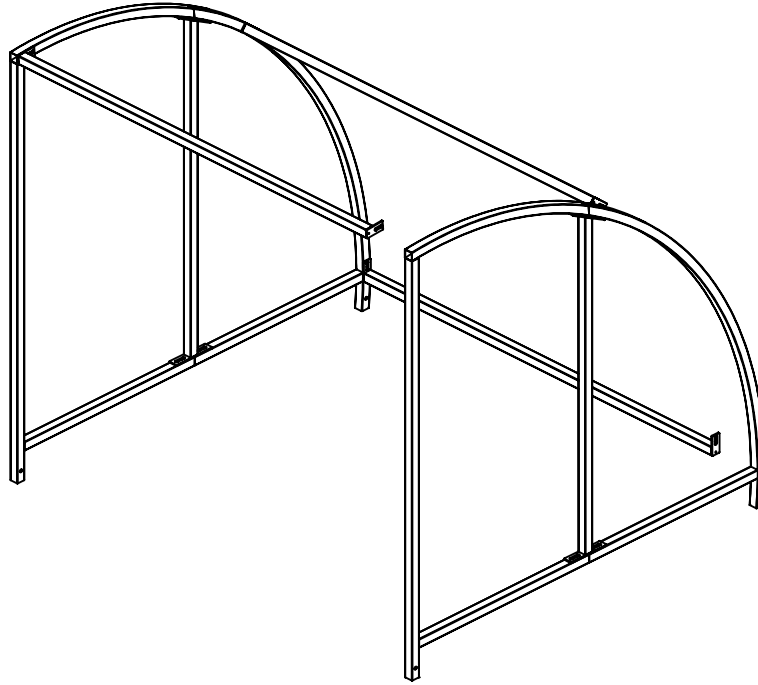


**Note: Shelter ends have 2 sides Left and Right. Make sure all holes are in correct position before assembling.**

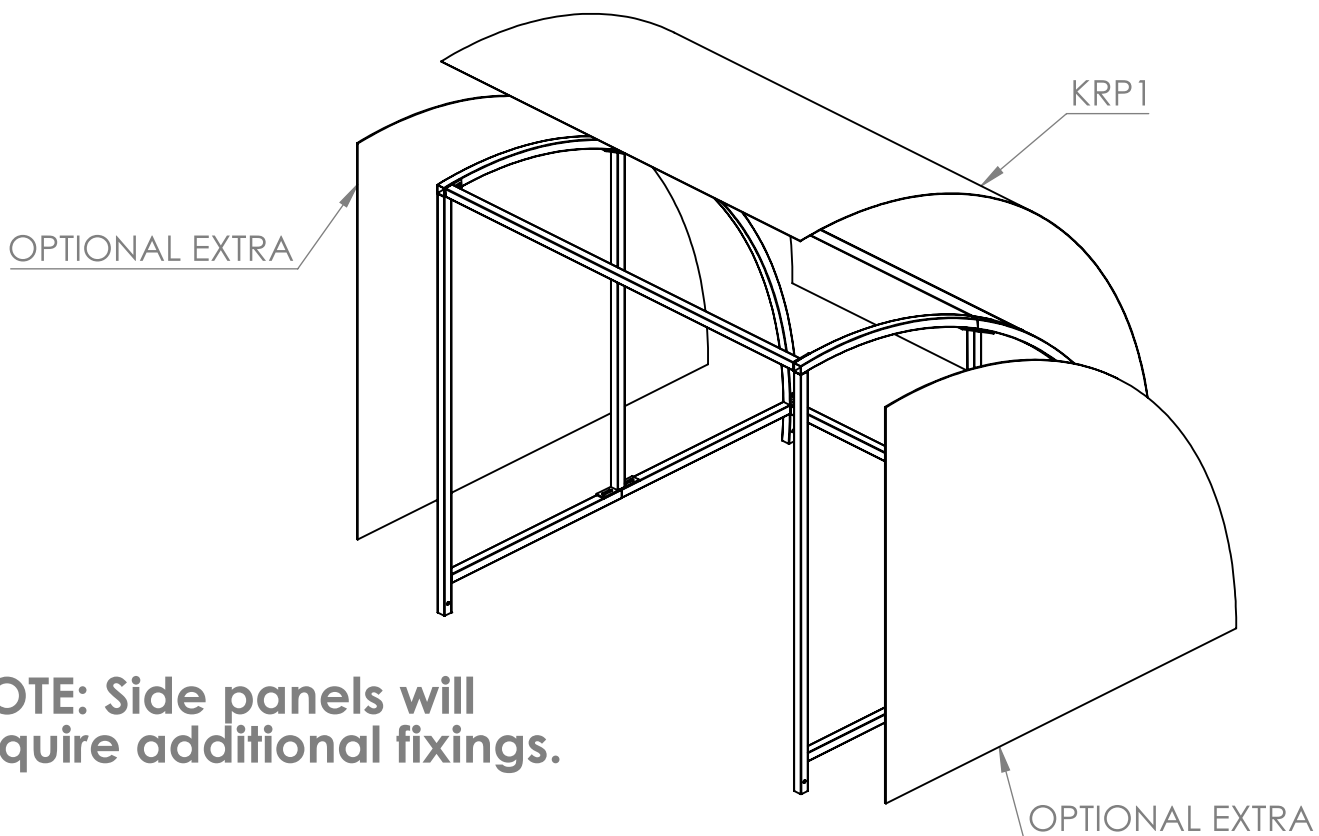
**Step 1** Take the **CF Side Frame** and attach the **LTB1 Tie Bar** to it in the positions shown below using **M10x20 Bolts** supplied.



**Step 2** Repeat **Step 1** with the opposite side of the shelter.



**Step 3** Offer each panel to the shelter as shown below and secure in place using Tec-Screws. (1 Screw every 8 inches)

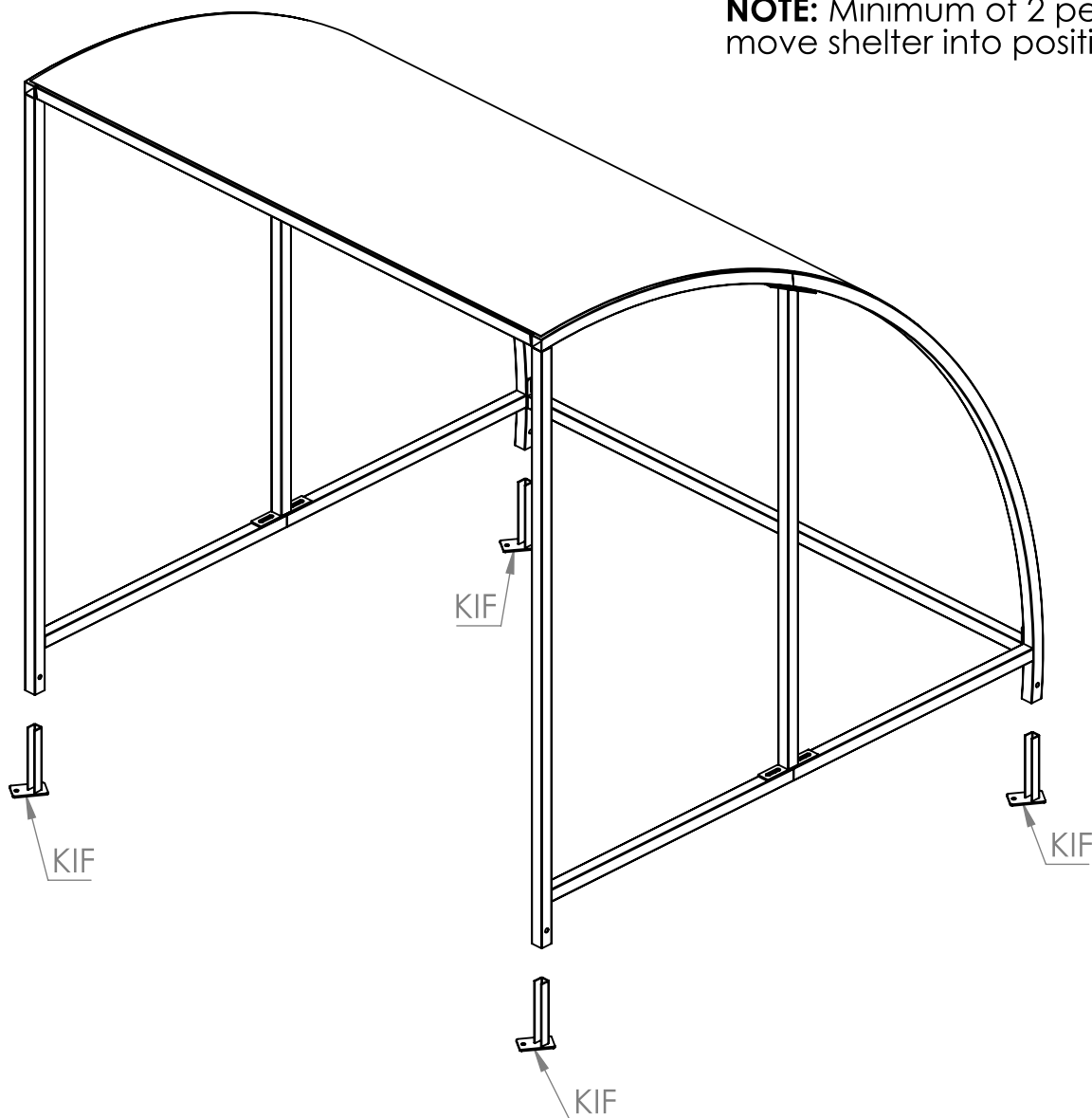


**NOTE:** Side panels will require additional fixings.

**Always clean off swarf when fitting the roof panels to avoid rust stains.**

**Step 4** Finally move shelter to desired position and place **KIF Foot** into each leg. Adjust the shelter until level and drill through the foot, bolt the foot to the shelter and Secure in Place using the **Anchor Bolts** supplied.

**NOTE:** Minimum of 2 people to move shelter into position.



**Don't forget to add EC40 Plastic End Caps to shelter before finishing.**

**NOTES:**

# THANK YOU FOR PURCHASING THIS PRODUCT

## MAINTENANCE:

To ensure your products give you many years of use we recommend that you:

- Clean panels regularly with soapy water
- Ensure all fittings are tight (for example after a big storm)
- Touch up any exposed metal should it get scratched

## CONTACT DETAILS:

Email : [Sales@nobutts.co.uk](mailto:Sales@nobutts.co.uk)

Web : [www.nobutts.co.uk](http://www.nobutts.co.uk)

Tel : 0800 1777 052

NBB, Unit 5, 145 Sterte Road, Poole, Dorset BH15 2AF

<b>All Parts and Fixings checked by:</b>	
Print Name:	Signature: