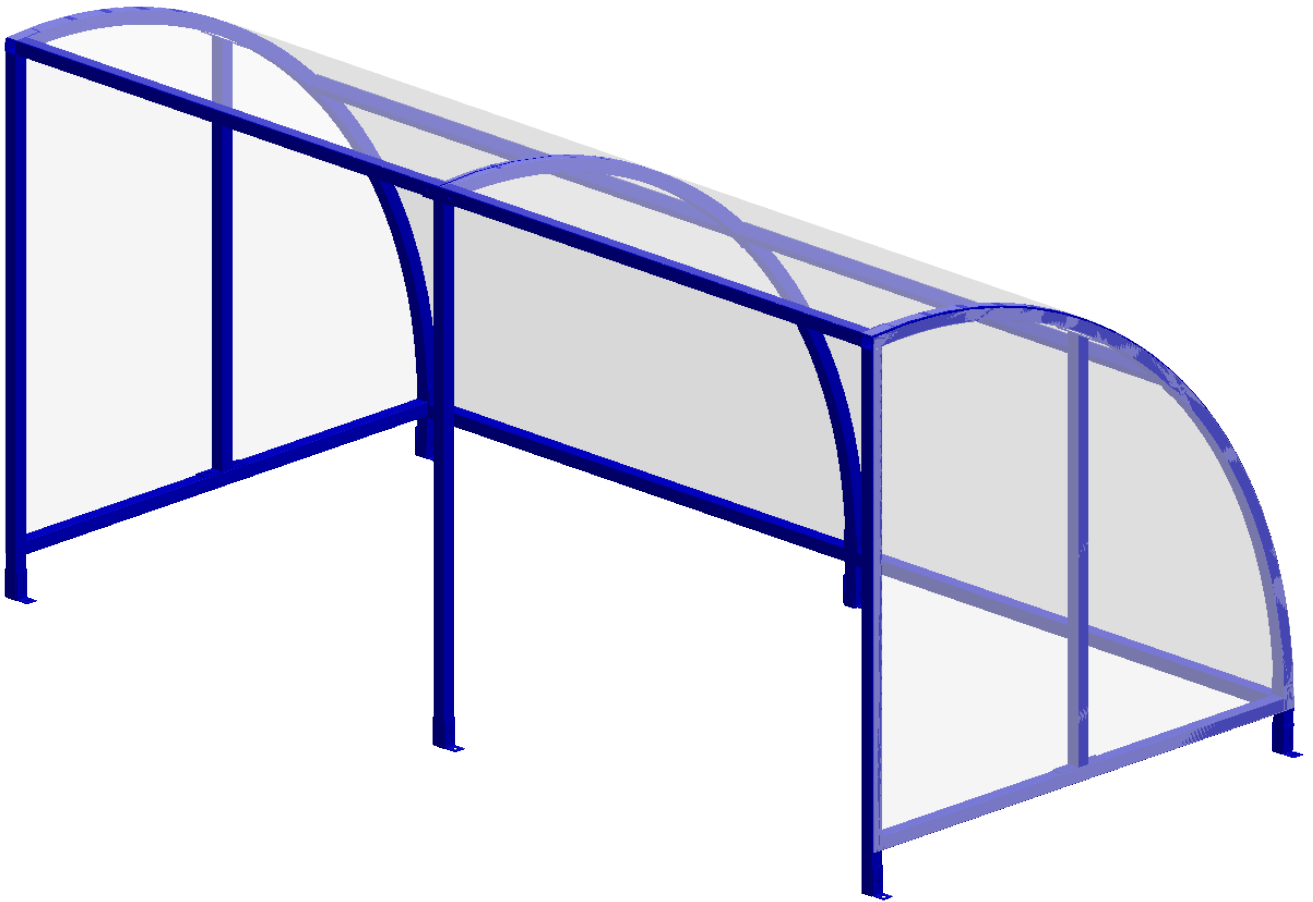


Assembly Instructions



No Butts Bin Co.
Better Ash & Trash Solutions
Est. 1991

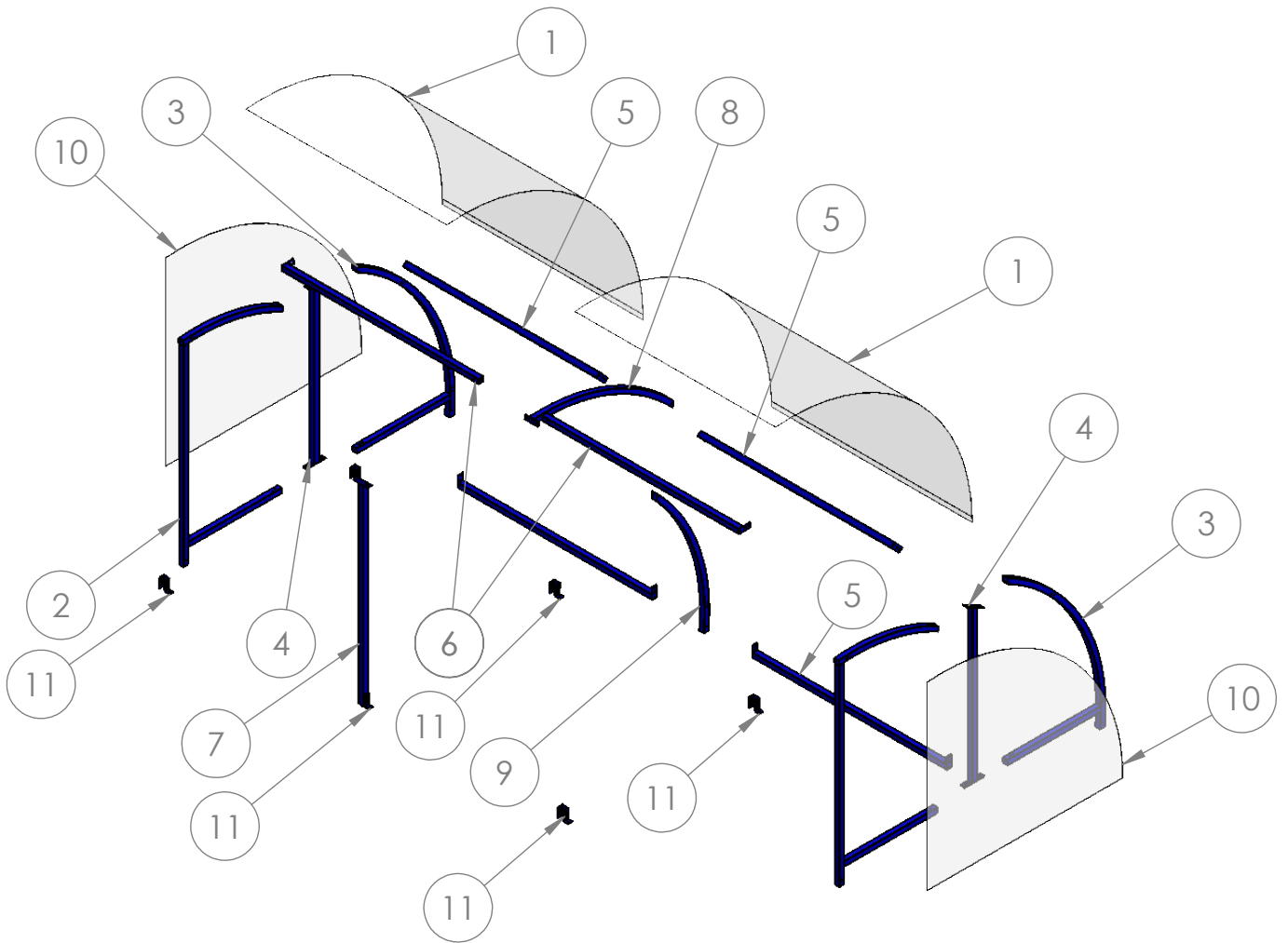
Email : Sales@nobutts.com

Web : www.nobutts.com

Tel : 1-888-662-8887

Shelter type: NSKCS02ZC

NSKCS02ZC-03-120918



Tools required: (Not supplied)




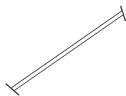
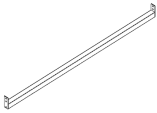

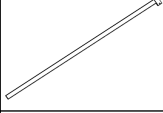



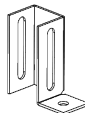
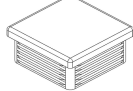




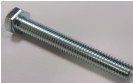





Drill/Screwdriver



Socket set

PARTS LIST & FITTINGS

ITEM NO.	PART NO.	DESCRIPTION	DIMENSION (inch)	IMAGE	QTY.
1	RP1	Outside Roof Panel	113 x 79 $\frac{1}{4}$		2
2	KFF	Kimmeridge Front Frame Assembly	77 $\frac{3}{4}$ x 39		2
3	KRF	Kimmeridge Rear Frame Assembly	88 $\frac{1}{3}$ x 38 $\frac{3}{4}$		2
4	KST	Kimmeridge Straight Tie Bar Assembly	60 $\frac{2}{5}$		2
5	CTB	Central Tie Bar	76 $\frac{3}{4}$		4
6	TB1	Tie Bar 1	77 $\frac{3}{4}$		2
7	CP	Center Post Assembly	77 $\frac{3}{4}$		1
8	TCC	Top Center Curve	52 $\frac{2}{5}$		1
9	LCC	Lower Centre Curve	62 $\frac{1}{5}$		1
10	SP	Side Panel	71 $\frac{1}{2}$ x 77 $\frac{1}{3}$		2
11	KEF	Kimmeridge External Foot	4		6
12	EC50	Plastic end cap	2 x 2		2

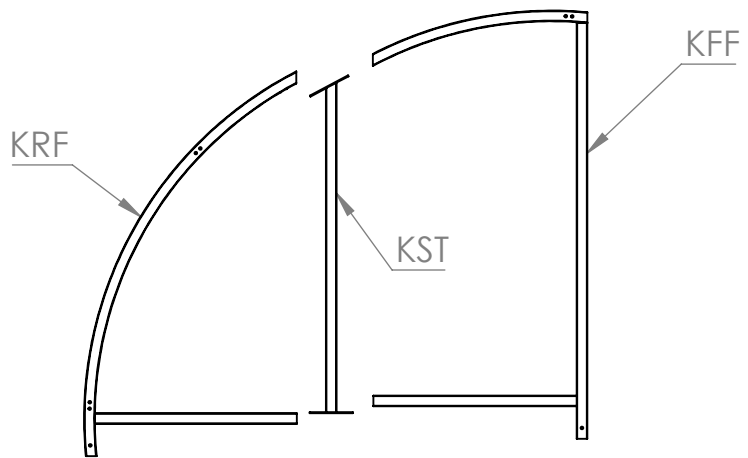
Fittings	M10 x $\frac{3}{4}$ Hex head bolt	M10 x 3 $\frac{1}{8}$ x 3 $\frac{1}{7}$ Hex head bolt	M10 / 12 Anchor bolt	M10 Nuts	M10 Standard Washers	M12 Standard Washers	1" Tech screws	Plastic caps M10
QTY.	20	6 / 10	6	16	52	6	120	52
Image								

If you have received the "Split End" version (If not go straight to Step 1)

Join the three frame sections to make the Complete Side Frame using the M10x $\frac{3}{4}$ bolts.

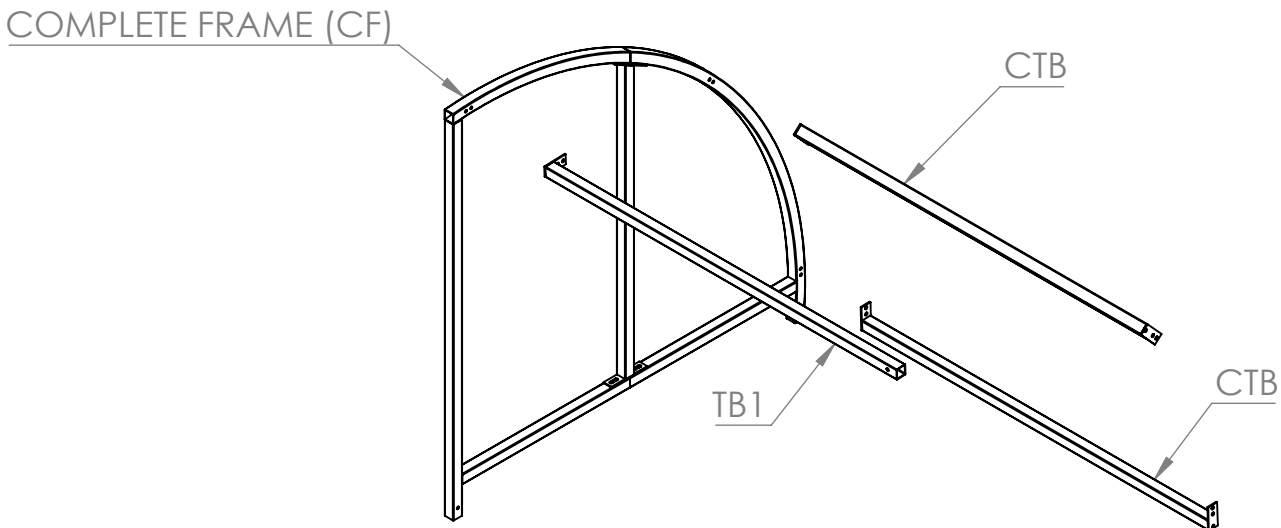
Note: Shelter has 2 sides Left and Right. Make sure all holes are in correct position before assembling.

2 people recommended to fit this shelter.

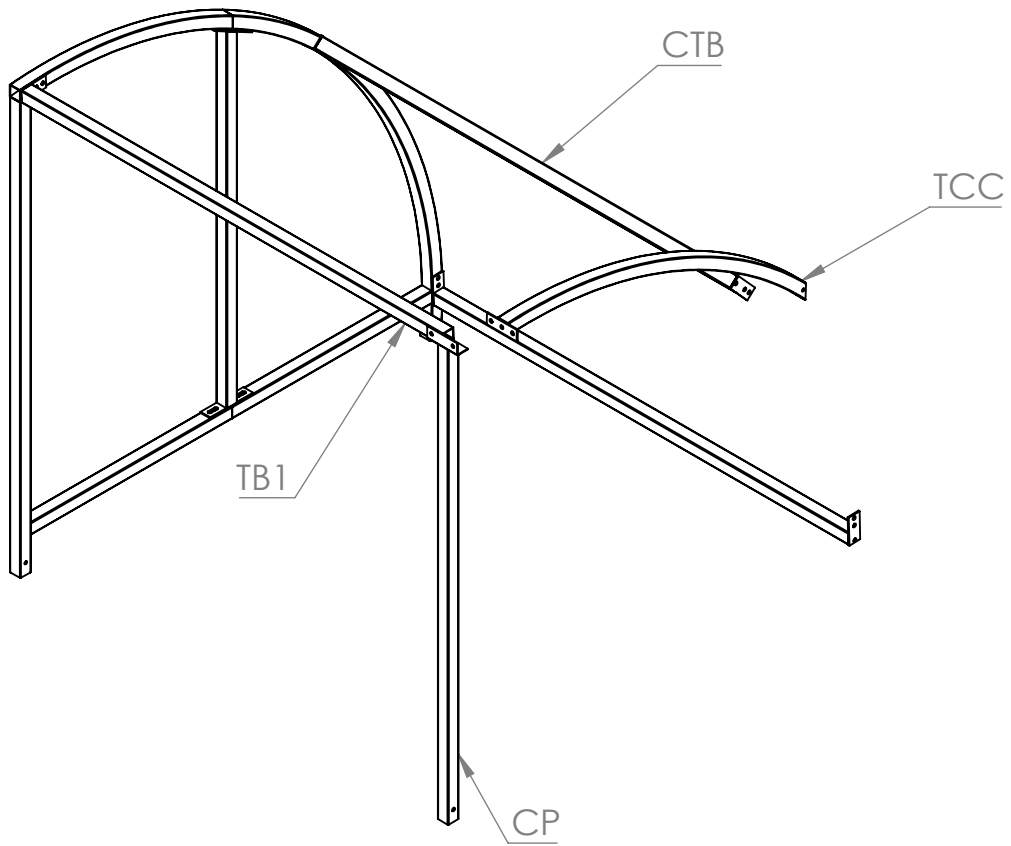


Note: Solid ends do not require any M10x $\frac{3}{4}$ fixings

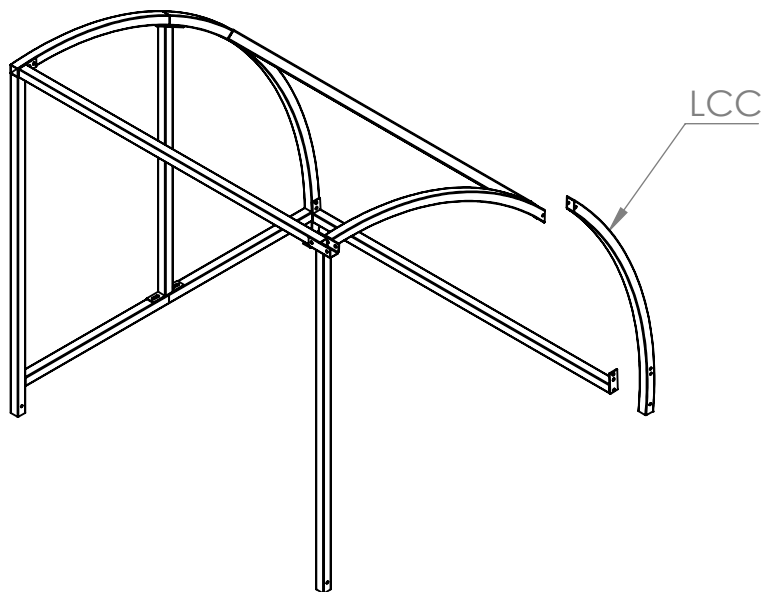
Step 1 Take the **CF Side Frame** and attach the **CTB Tie Bar** to it in the positions shown below. Now secure the **TB1 Tie Bar 1** to the Side of the shelter using **M10 Bolt** supplied.



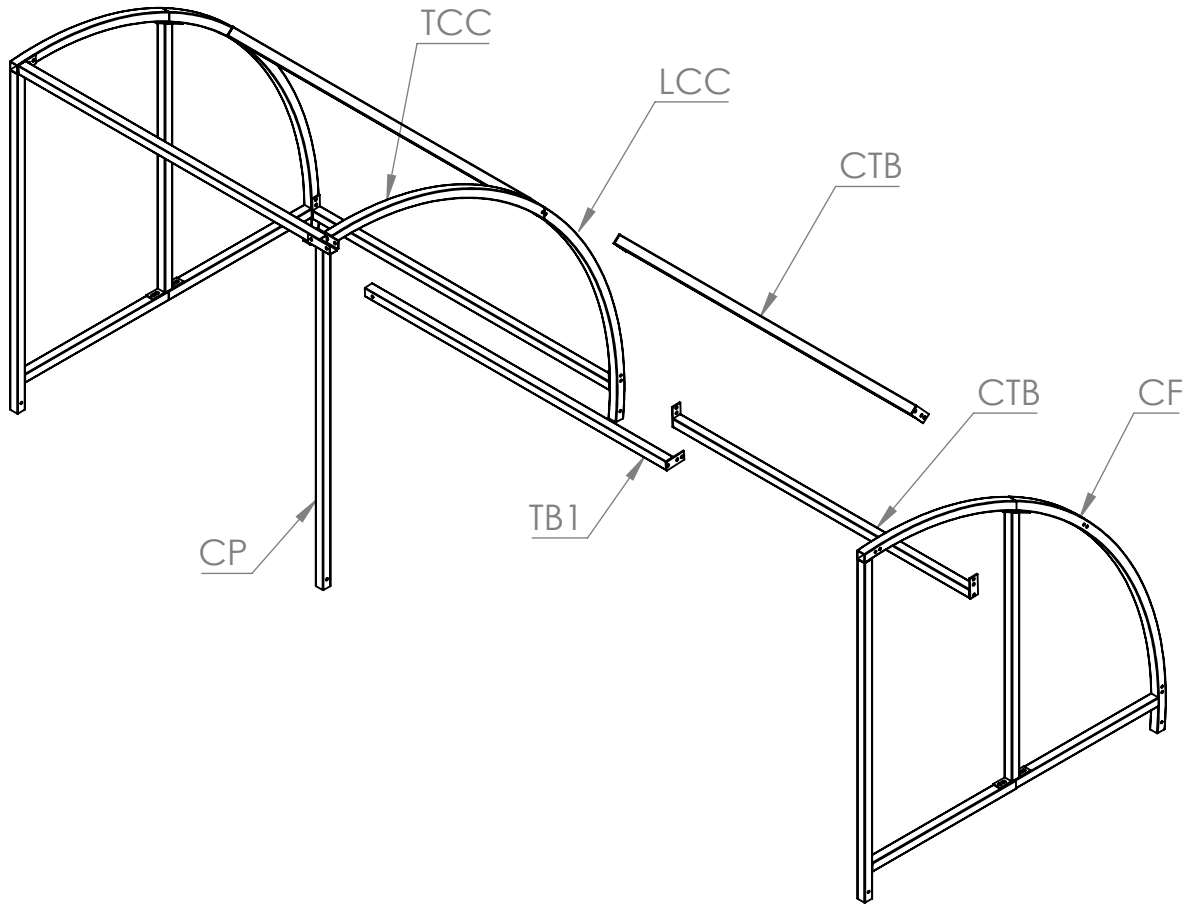
Step 2 Loosely fasten **TCC Top Centre Curve** to **CTB Central Tie Bar**, after doing this place **CP Central Post** under **TB1 Tie Bar 1** and bolt through all 3 parts.



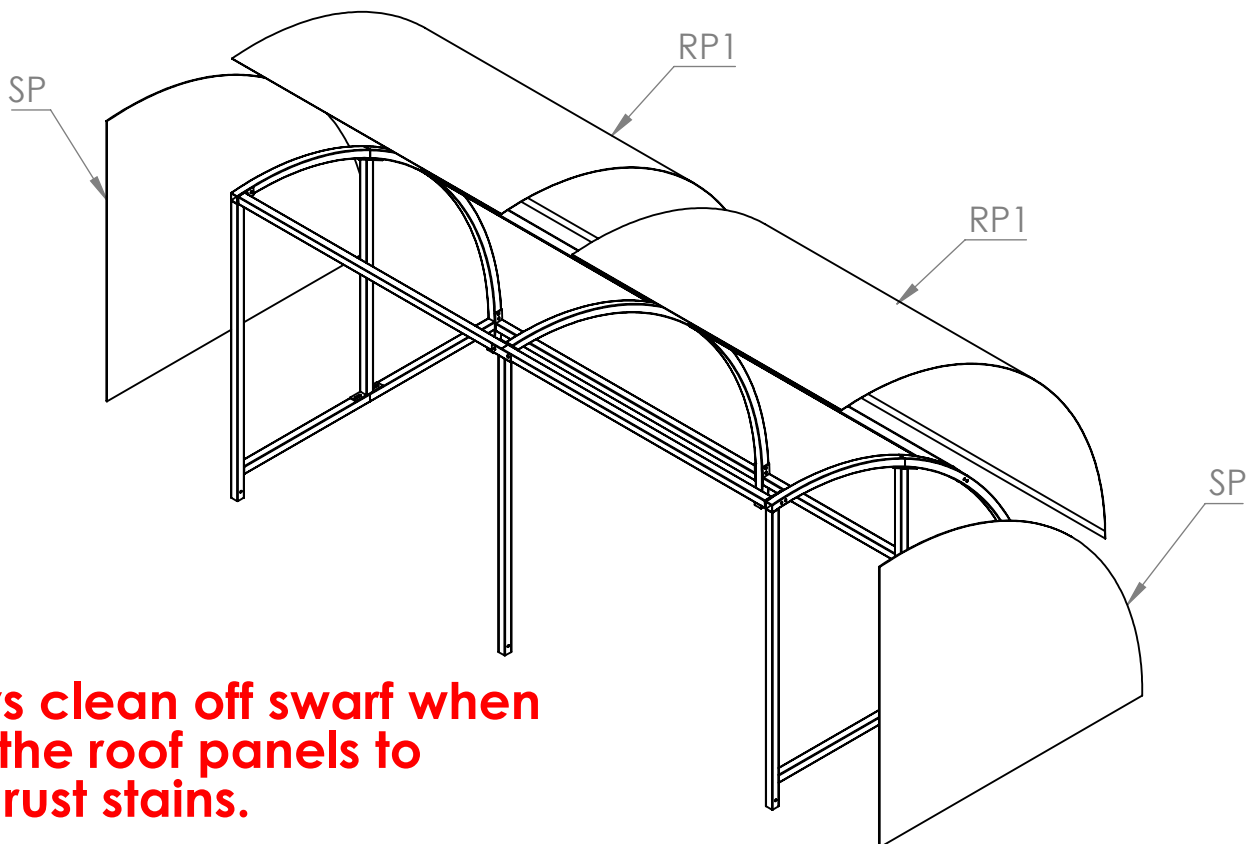
Step 3 Put the **LCC Lower Centre Curve** in place do not tighten the bolts to far as the second side will be attached here.



Step 4 Repeat **Step 1, 2 and 3** with the opposite side of the shelter this time securing all centre bolts tightly making one complete unit.



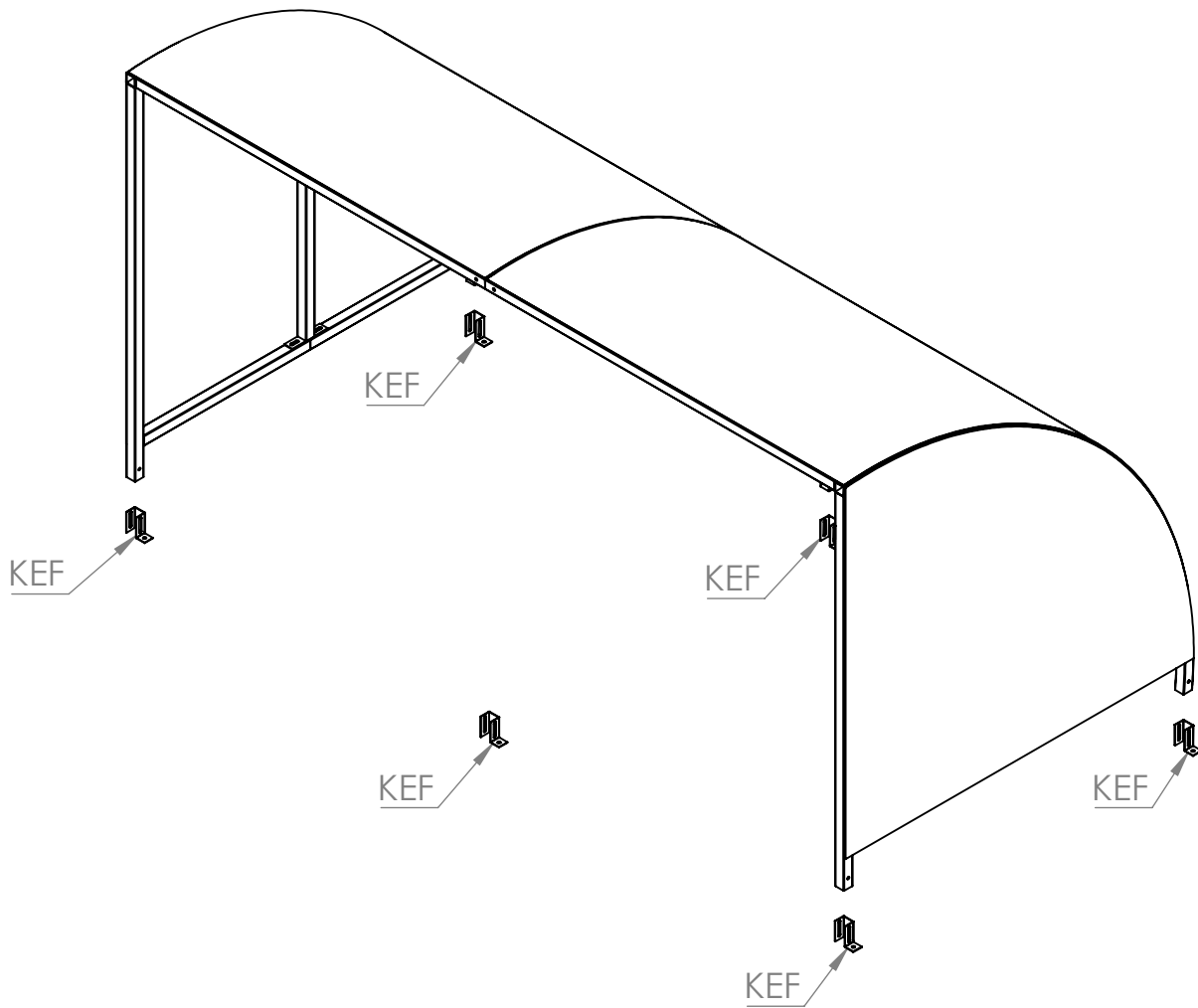
Step 5 Offer each panel to the shelter as shown below and secure in place using Tec-Screws. (1 Screw every 8 inches)



Always clean off swarf when fitting the roof panels to avoid rust stains.

Step 6

Finally move shelter to desired position and instert **KEF Kimmeridge External Foot** into each leg. (**Note: the slot in the foot is to allow adjustment on an uneven surface**) Secure in Place using the **Anchor Bolts** supplied.



THANK YOU FOR PURCHASING THIS PRODUCT

MAINTENANCE:

To ensure your products give you many years of use we recommend that you:

- Clean panels regularly with soapy water
- Ensure all fittings are tight (for example after a big storm)
- Touch up any exposed metal should it get scratched

CONTACT DETAILS:

Email : Sales@nobutts.com

Web : www.nobutts.com

Tel : 1-888-662-8887

No Butts Bin Company, Inc. 16 Birch Lane, Madison, CT 06443

All Parts and Fixings checked by:	
Print Name:	Signature: