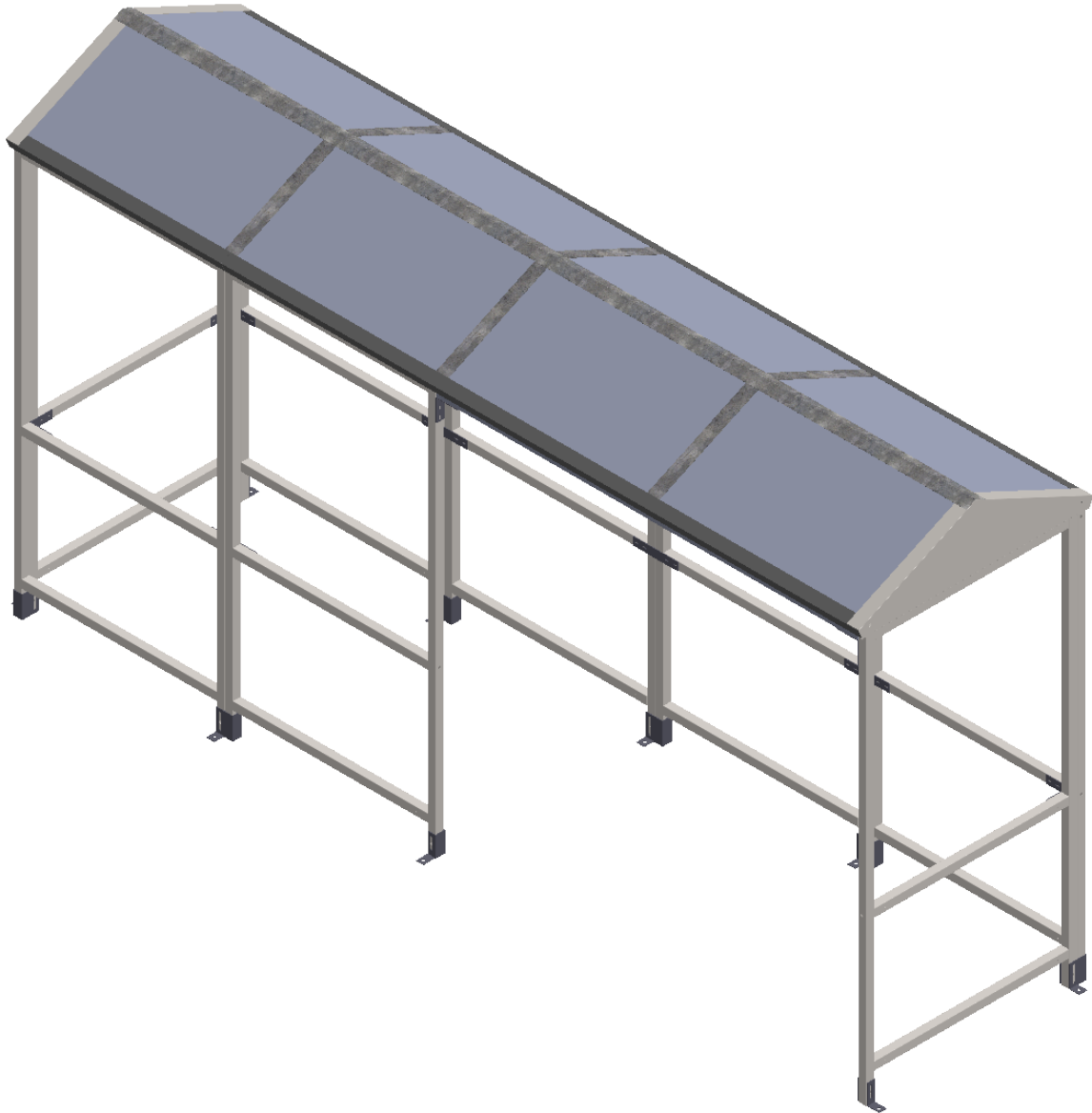


Assembly Instructions

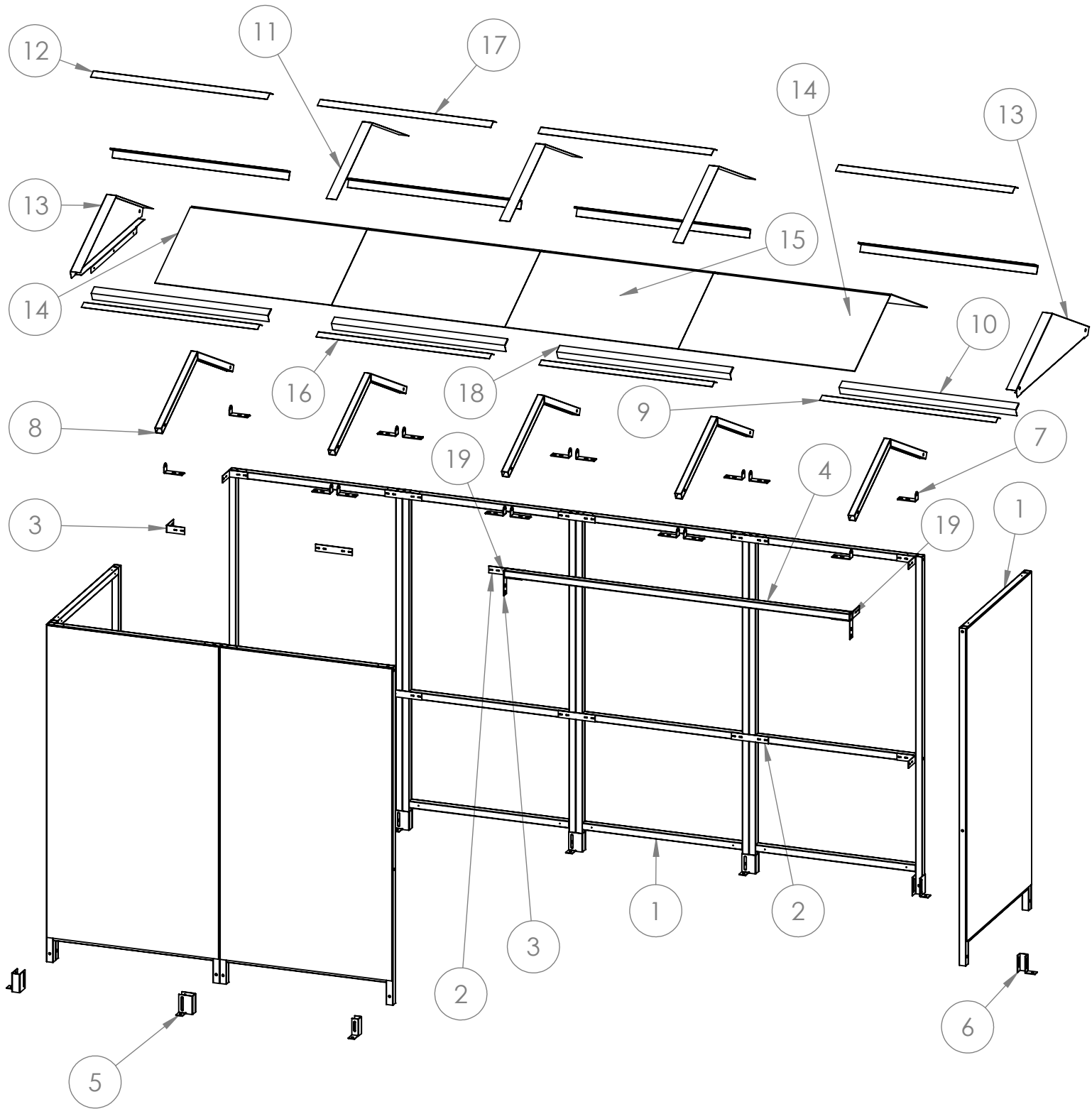


Email : sales@nobutts.com
Web : www.nobutts.com
Tel : 1-888-662-8887

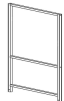
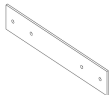
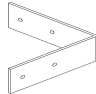

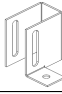
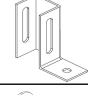
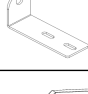



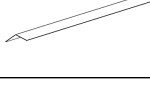
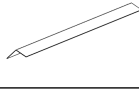
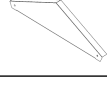
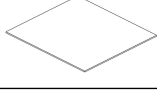
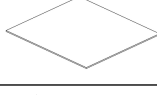

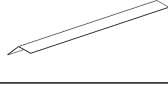
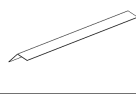
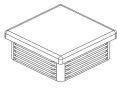
Shelter type: SR8061-F

SR8061-F-02-29102021-USA

Overall Shelter sizes



PARTS LIST

ITEM NO.	PART NAME	DRG NUMBER	Size (inch)	IMAGE	QTY.
1	S1C Frame	S1C	78.74 x 40.74		8
2	JF1 Bracket	JF1	4.33 x 1.57		9
3	CB1 Bracket	CB1	4.3 x 4.3 x 1.57		9
4	ST3 Roof Tie	ST3	81.1 x 1.57 x 1.57		1
5	FT3 Bracket	FT3	1.57 x 3.15 x 4.17		7
6	FT1 Bracket	FT1	1.57 x 1.57 x 3.94		2
7	DR Bracket	DR	4.3 x 1.6 x 2		16
8	AR1R 1m Pitch Rafter	AR1R	45 x 11.8 OA		5
9	Roof F Section Outer	ARFSO	41.5		4
10	ARFSI Apex Roof F Section Inner	ARFSI	40.75		4
11	AR1CLTO 1m Apex Roof Centre Lower Trim Outer	AR1CLTO	41.4		2
12	AR1CUTO 1m Apex Roof centre upper trim outer	AR1CUTO	41.5		2
13	AR1IS 1m Pitch Infill Panel Shallow	AR1IS	45.2 x 13.5		2
14	AR1POA Roof Panel outer alu	AR1POA	41.5 x 24.4		4
15	AR1PIA Roof Panel inner ALU	AR1PIA	40.75 x 24.4		4
16	AR1TS 1m Apex Roof Trim strips	AR1TS	24.8 x 2.3		6
17	AR1CLTI 1m Apex Roof centre lower trim inner	AR1CLTI	40.74		2
18	AR1CUTI 1m Apex Roof centre upper trim inner	AR1CUTI	40.75		2
19	40x40 End cap	EC40	1.57 x 1.57		2

FIXINGS

Fittings	Bolt set M10			T25	T38		BTANCM12100
	M10 x 60mm	Nut	Washer	1" Tech screw	1.5" Tech screw	Black Caps	M10/12 x 100 mm Concrete Bolt
Pack A+B	33	33	66	136	40	66	11
Image							



Tools required:

Drill/Screwdriver



17mm Wrench

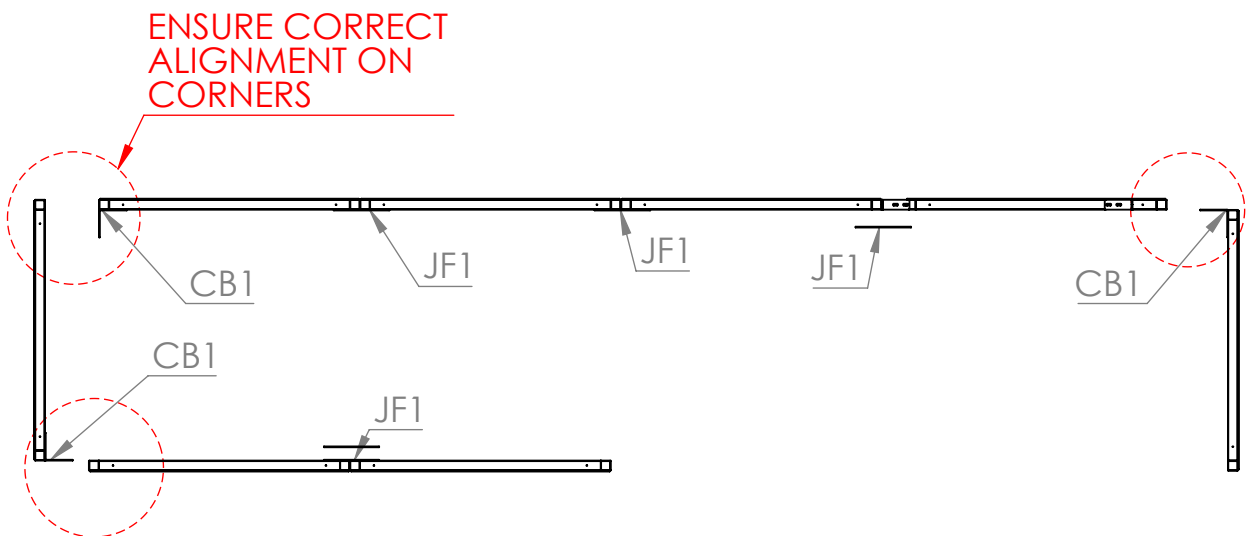
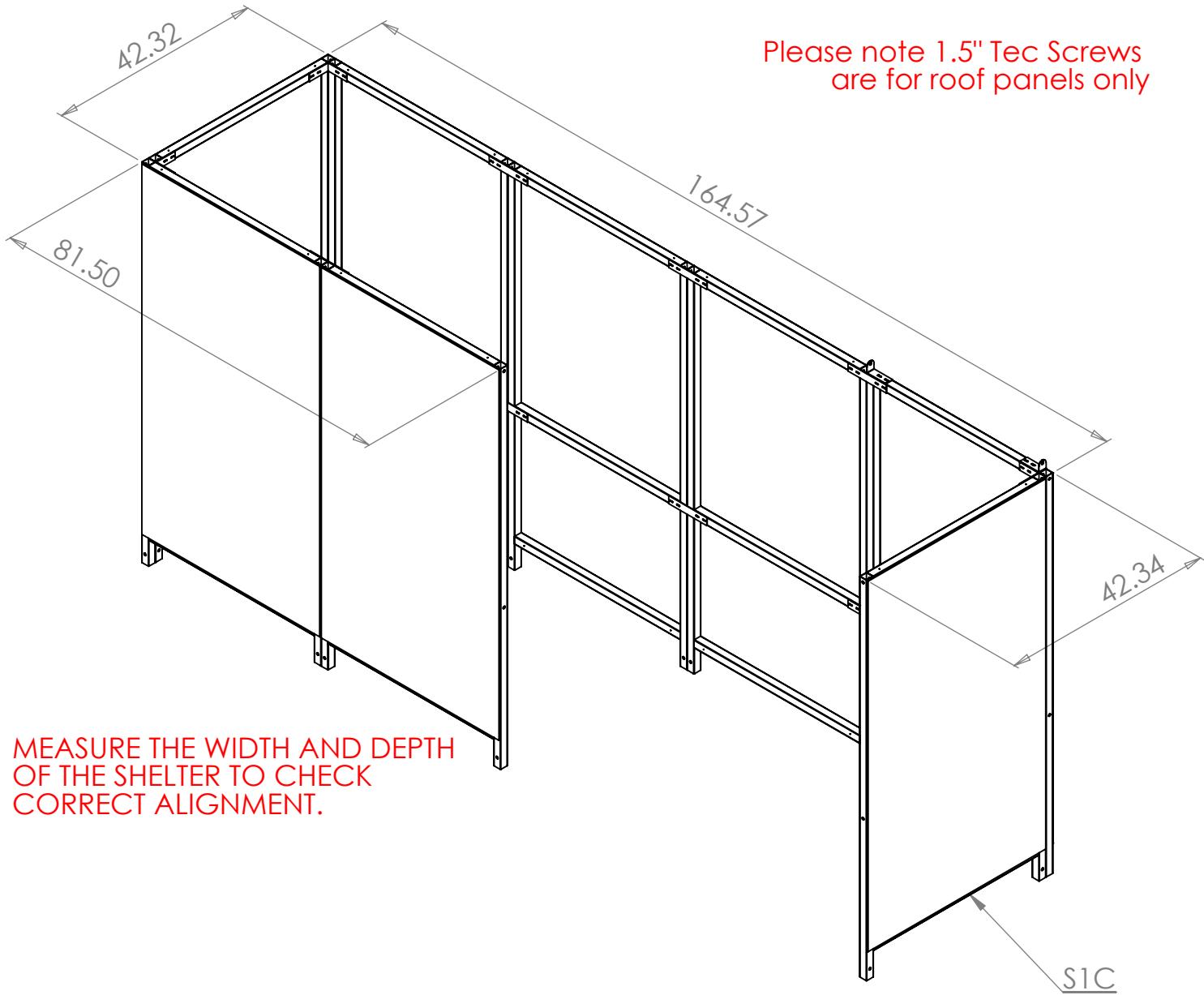


Mallet

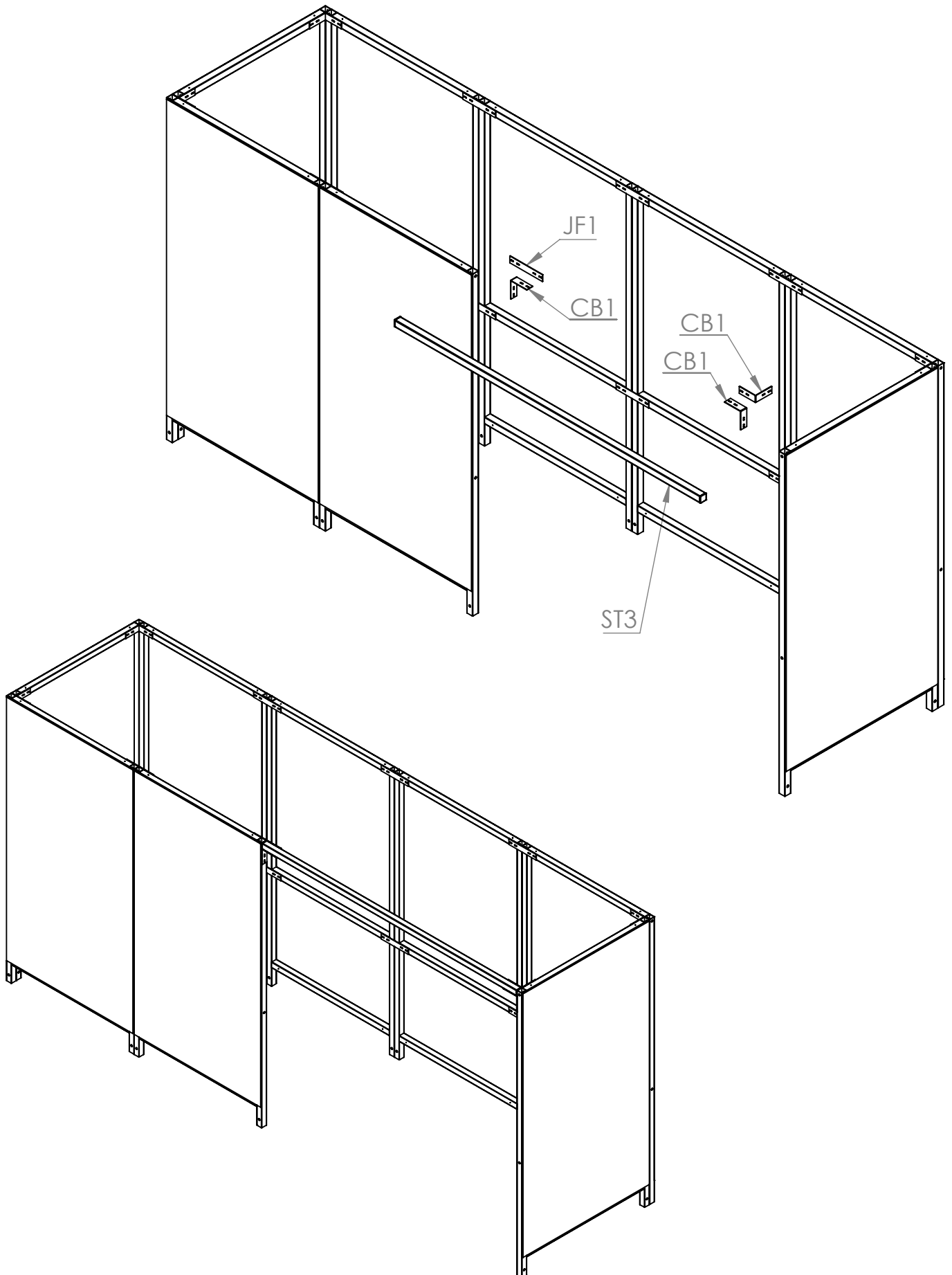


T25 Torx bit

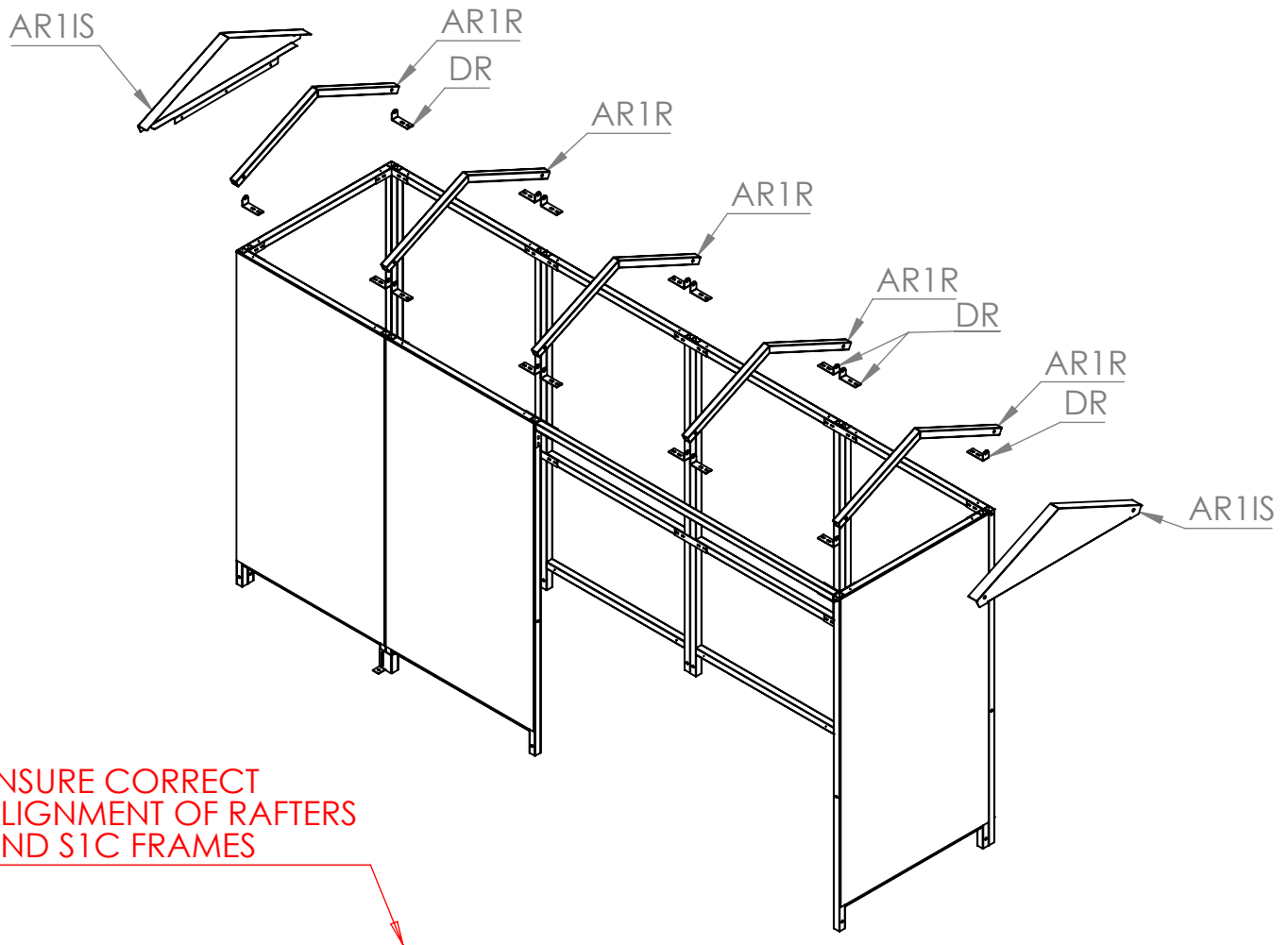
Step 1 Assemble **S1C** frames to make up the main structure using **CB1** brackets for the corners and **JF1** brackets for the straight joints.



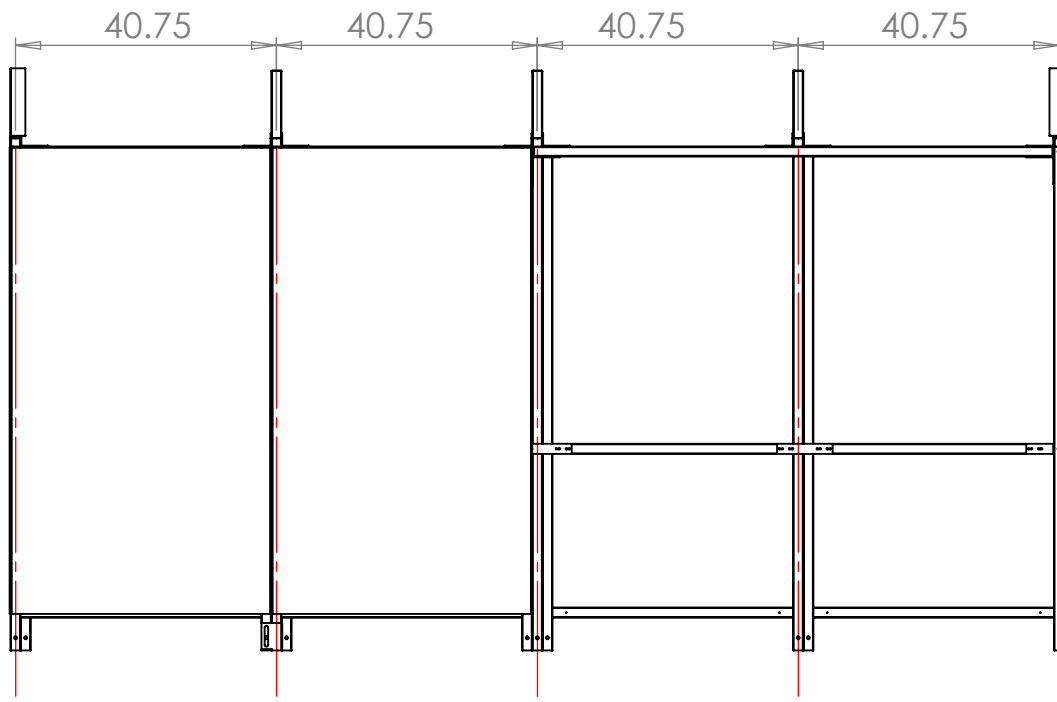
Step 2 Use **JF1** and **CB1** brackets to attach the **S1C** frame and **ST3** Tie bar.



Step 3 Attach **AR1R** rafters using **DR** brackets. Secure the **AR1IS END PANELS** to **S1C** frames using tec screws. The end rafters need to be placed in position at the same time as the **END PANELS**.

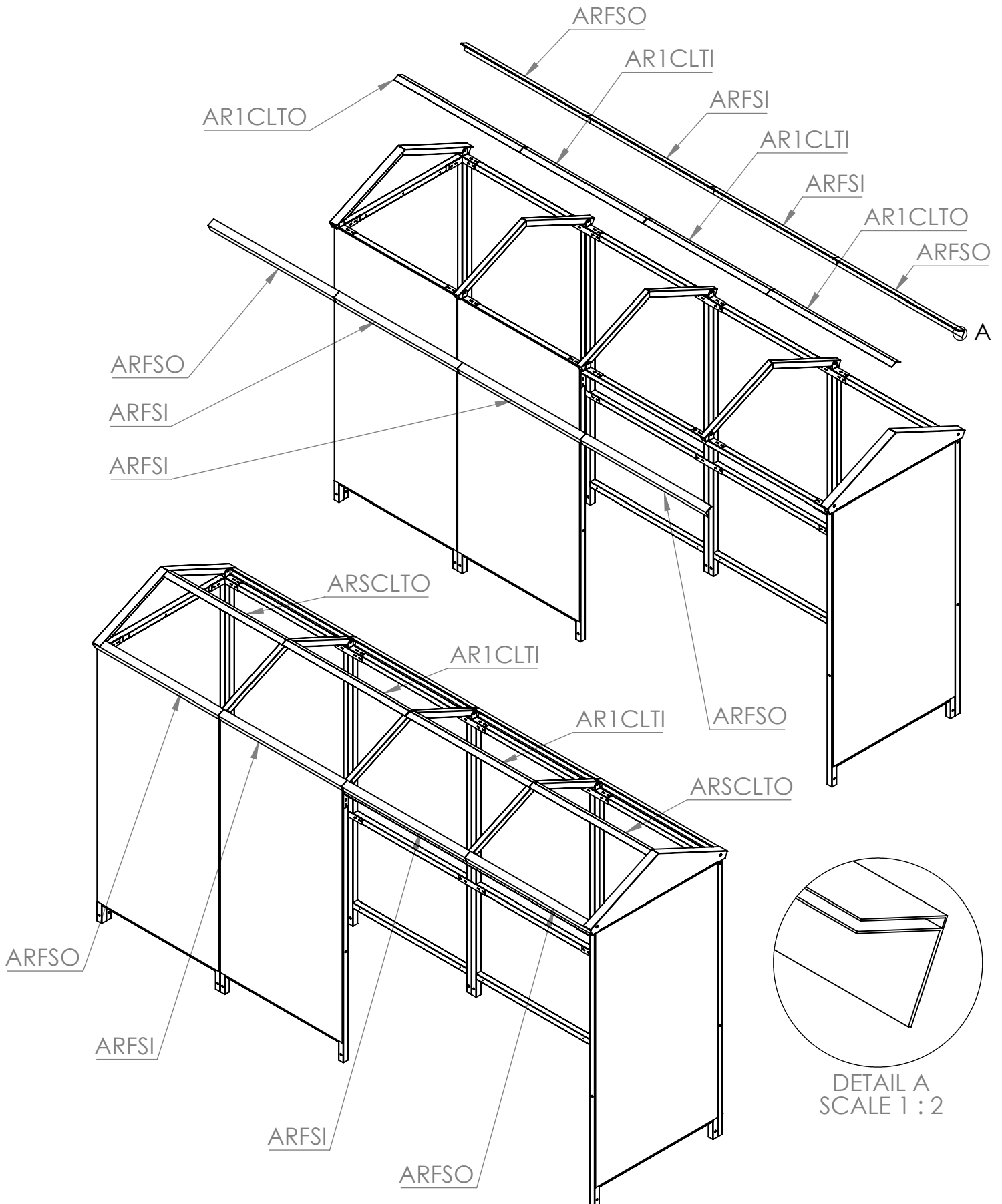


ENSURE CORRECT
ALIGNMENT OF RAFTERS
AND S1C FRAMES



Step 4

Attach the **AR1CLTO** and **AR1CLTI** to the top of the rafters. The **AR1CLTO** are to be lined up near the end panels and the **AR1CLTI** have to be spaced equally along the centre. The **ARFSO** and **ARFSI** parts are to be attached to the lower part of the rafters as shown below.



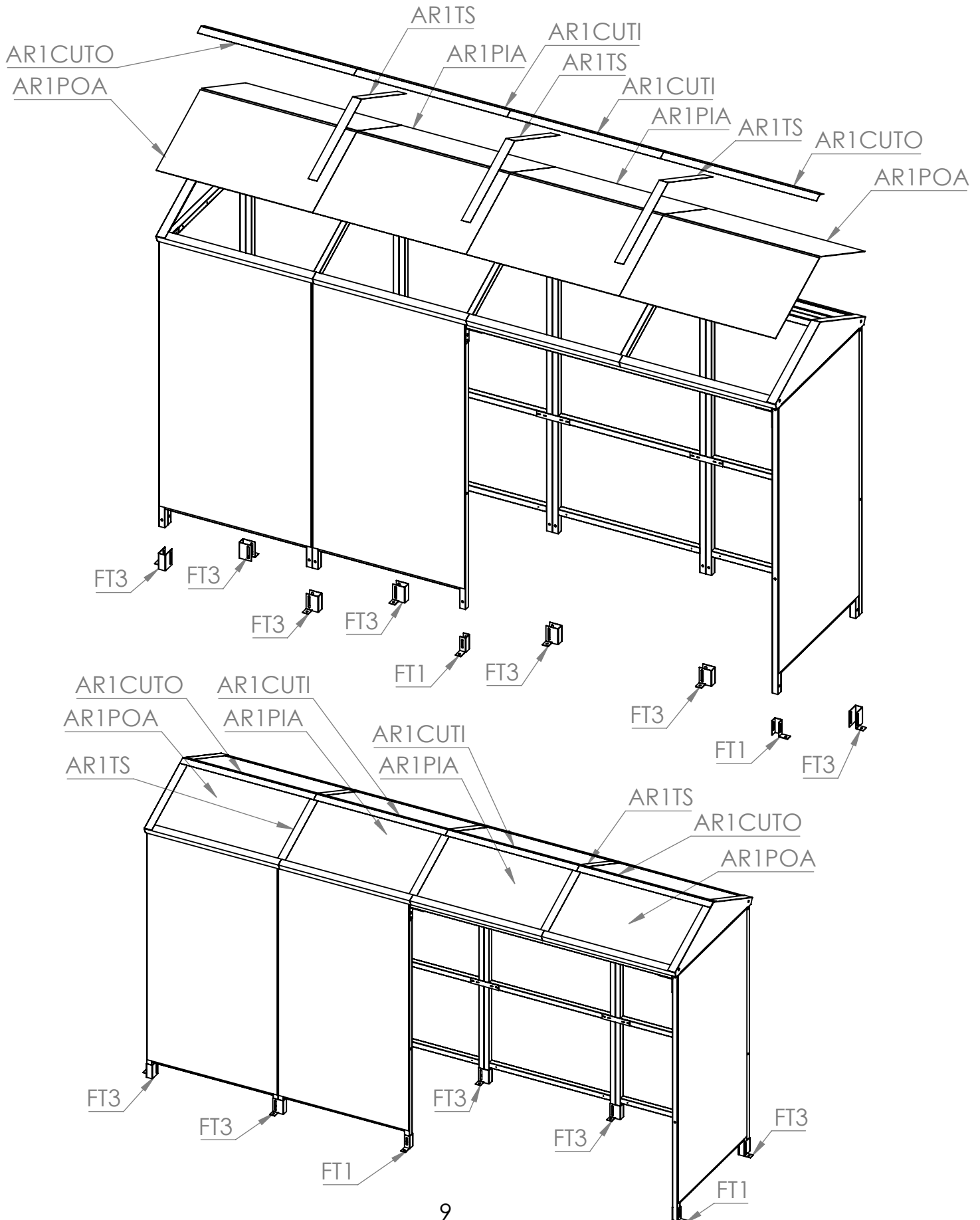
Step 5

Attach the **AR1POA** roof panels on the outer edges of the shelter nearest to the end panels and the **AR1PIA** panels need to be equally spaced along the centre.

Cap off the top using **AR1CUTO** and **AR1CUTI** as shown below.

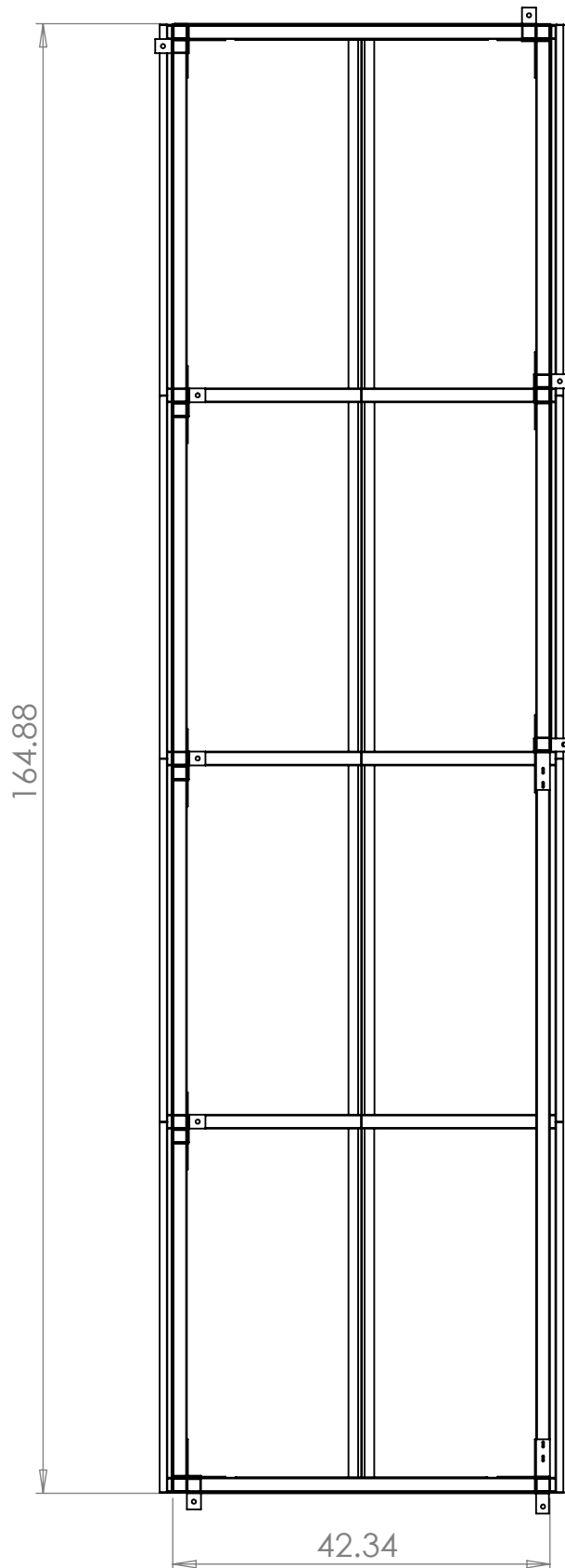
Use the **AR1TS** strips to cover the gaps between the panels.

Once the shelter is in the final position and square, it can be secured to the ground using the **FT3** and **FT1** brackets and concrete bolts.



PLAN VIEW

OVERALL DIMENSIONS AND GROUND FIXING POSITIONS
Suggested size for concrete base: 8" oversized on all 4 sides.



THANK YOU FOR PURCHASING THIS PRODUCT

MAINTENANCE:

To ensure your products give you many years of use we recommend that you:

- Clean panels regularly with soapy water
- Ensure all fittings are tight (for example after a big storm)
- Touch up any exposed metal should it get scratched

CONTACT DETAILS:

Email : Sales@nobutts.com

Web : www.nobutts.com

Tel : 10888-662-8887

No Butts Bin Company, Inc. 16 Birch lane, Madison, CT 06443

All Parts and Fixings checked by:	
Print Name:	Signature: