

Assembly Instructions

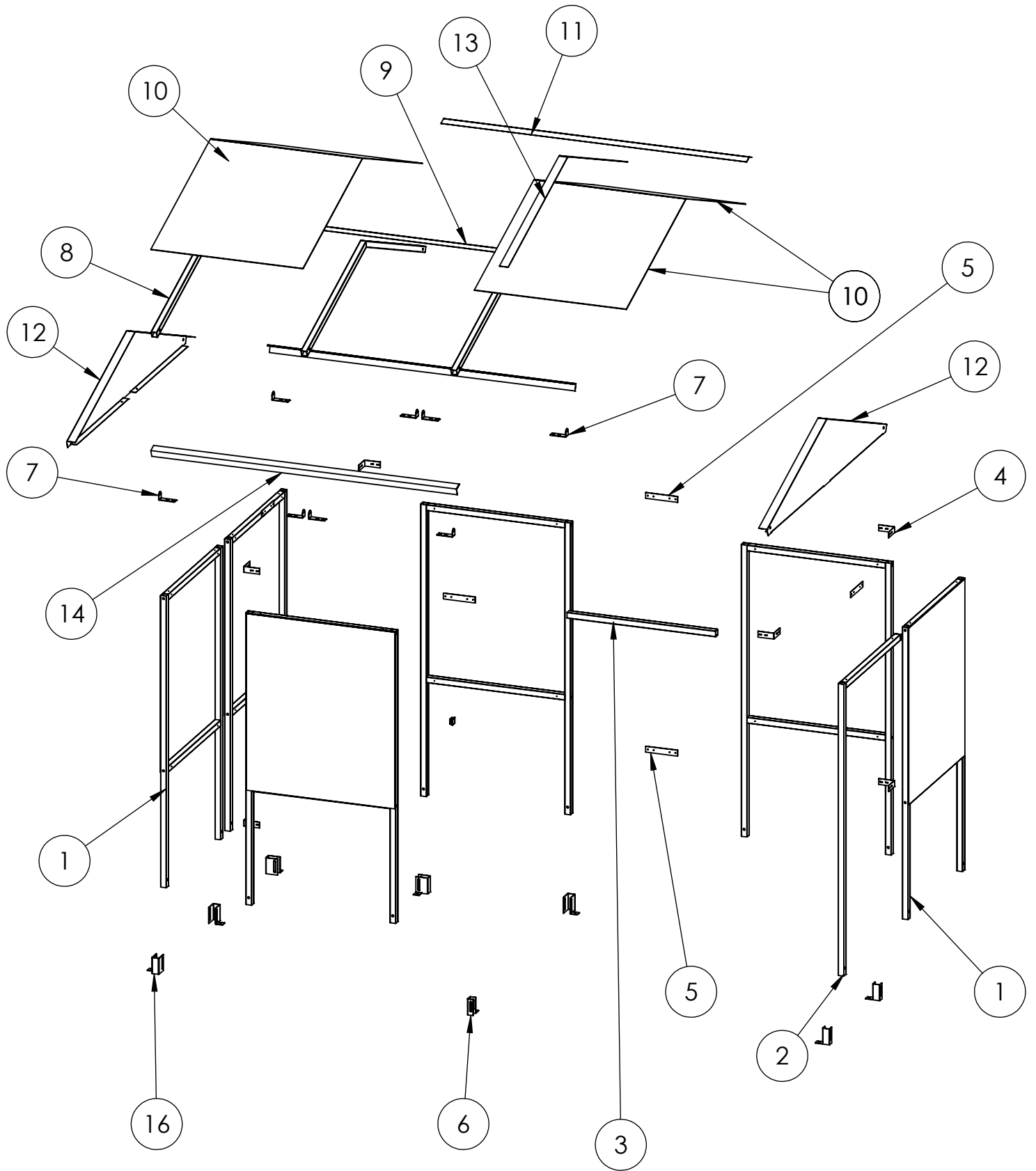


Email : sales@nobutts.com
Web : www.nobutts.com
Tel : 1-888-662-8887

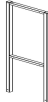
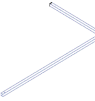

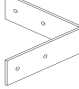

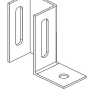
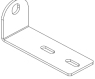






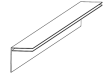
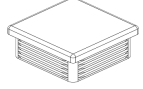

Shelter type: SR8062

SR8062-01-011121-USA

Exploded Parts



PARTS LIST

ITEM NO.	PART NO.	DESCRIPTION	Size (inch)	IMAGE	QTY.
1	S1	FRAME	78.74 x 40.74		6
2	P1	Post	78.75 x 40.5		1
3	ST1	Roof Tie - ST1	40.35		1
4	CB1	Corner Bracket - CB1	4.3 x 4.3 x 1.57		7
5	JF1	Straight Bracket	8.7 x 1.6		6
6	FT1	Foot Bracket	4.3 x 3.9 x 1.6		3
7	DR	Rafter Bracket	4.3 x 1.6 x 2		8
8	AR2R-02	2m Pitch Rafter Assembly	85.75		3
9	AR2CLT2	2m Apex Roof Centre Lower Trim 2m	82.85		1
10	AR2POA	AR2 Roof Panel Outer	45.5 x 41.3		4
11	AR2CUT2	2m Apex Roof Centre Upper Trim 2m	83		1
12	AR2IS-02	2m Pitch Infill Panel shallow	85		2
13	AR2TS-01	2m Pitch Roof Trim Strips	45.5 x 2.3		2
14	ARFS2	F - section 2m	83.1 x 2 x 2		2
15	EC40	Plastic end cap	1.6 x 1.6		2
16	FT3	FT3 Bracket	4.3 x 3.9 x 3.1		5

FIXINGS

Fittings	Bolt set M10			T25	T38		BTANCM12100
	M10 x 60mm	Nut	Washer	1" Tech screw	1.5" Tech screw	Black Caps	M10/12 x 100 mm Concrete Bolt
Pack A+B	33	33	66	136	40	66	11
Image							



Drill/Screwdriver

Tools required:



17mm Wrench



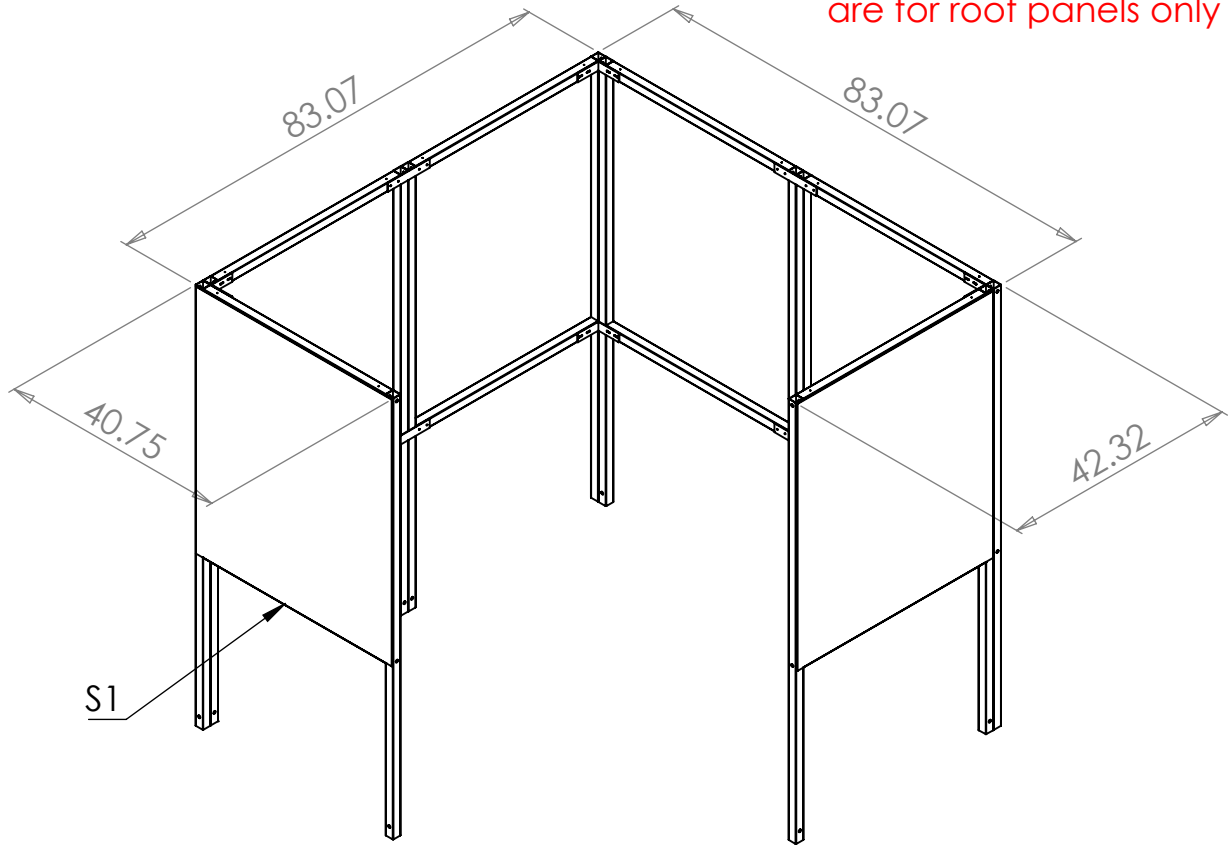
Mallet



T25 Torx bit

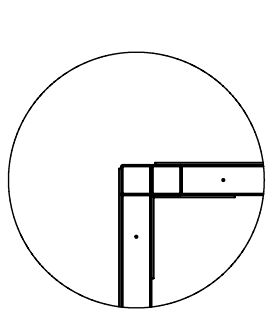
Step 1 Assemble **S1** frames to make up the main structure using **CB1** brackets for the corners and **JF1** brackets for the straight joints.

Please note 1.5" Tec Screws are for roof panels only

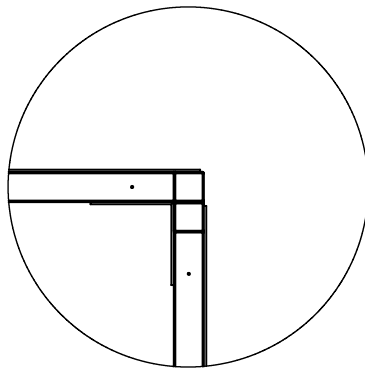


MEASURE THE WIDTH AND DEPTH OF THE SHELTER TO CHECK CORRECT ALIGNMENT.

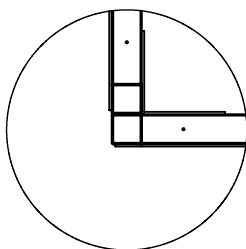
Ensure correct alignment on all corners



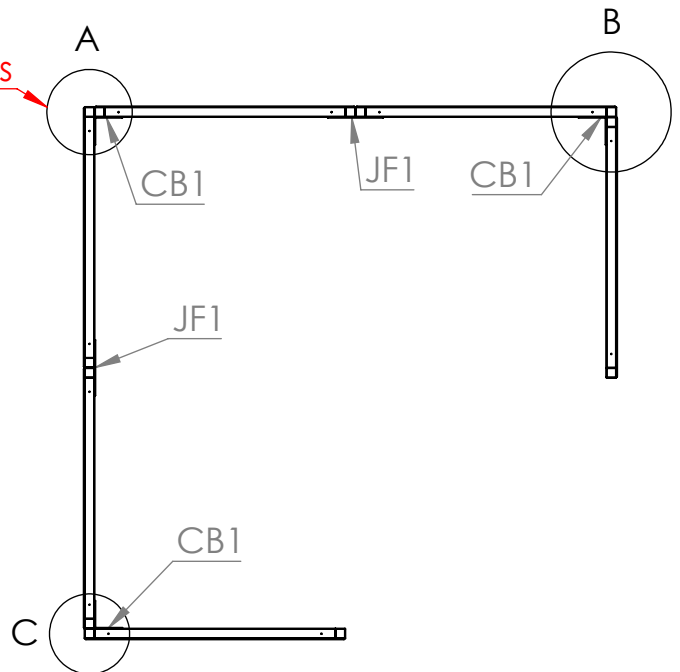
DETAIL A
SCALE 1 : 10



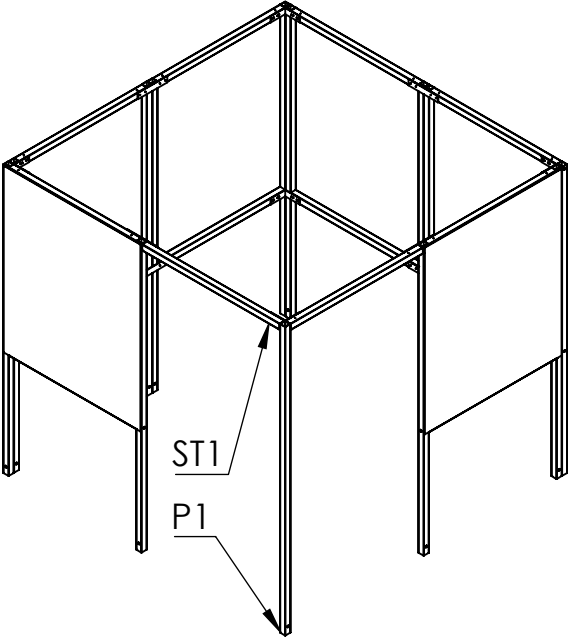
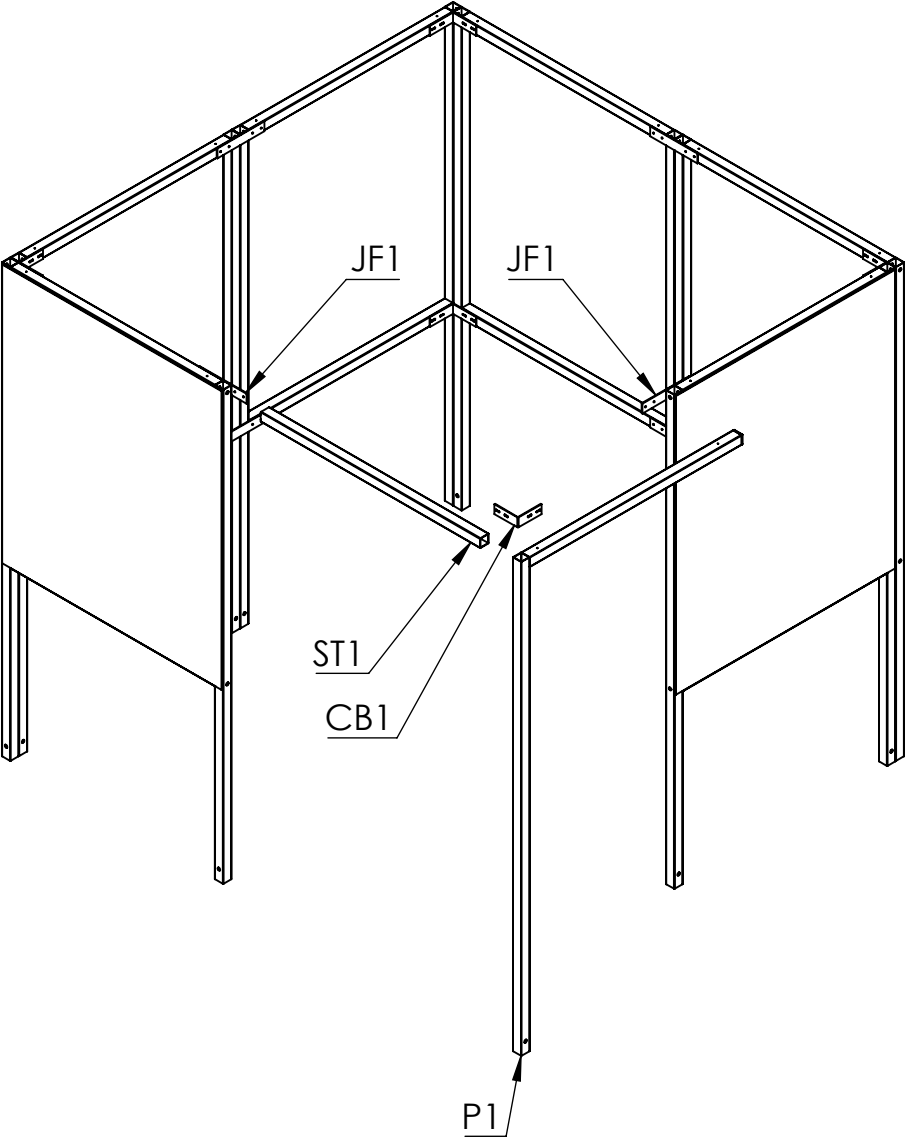
DETAIL B
SCALE 1 : 10



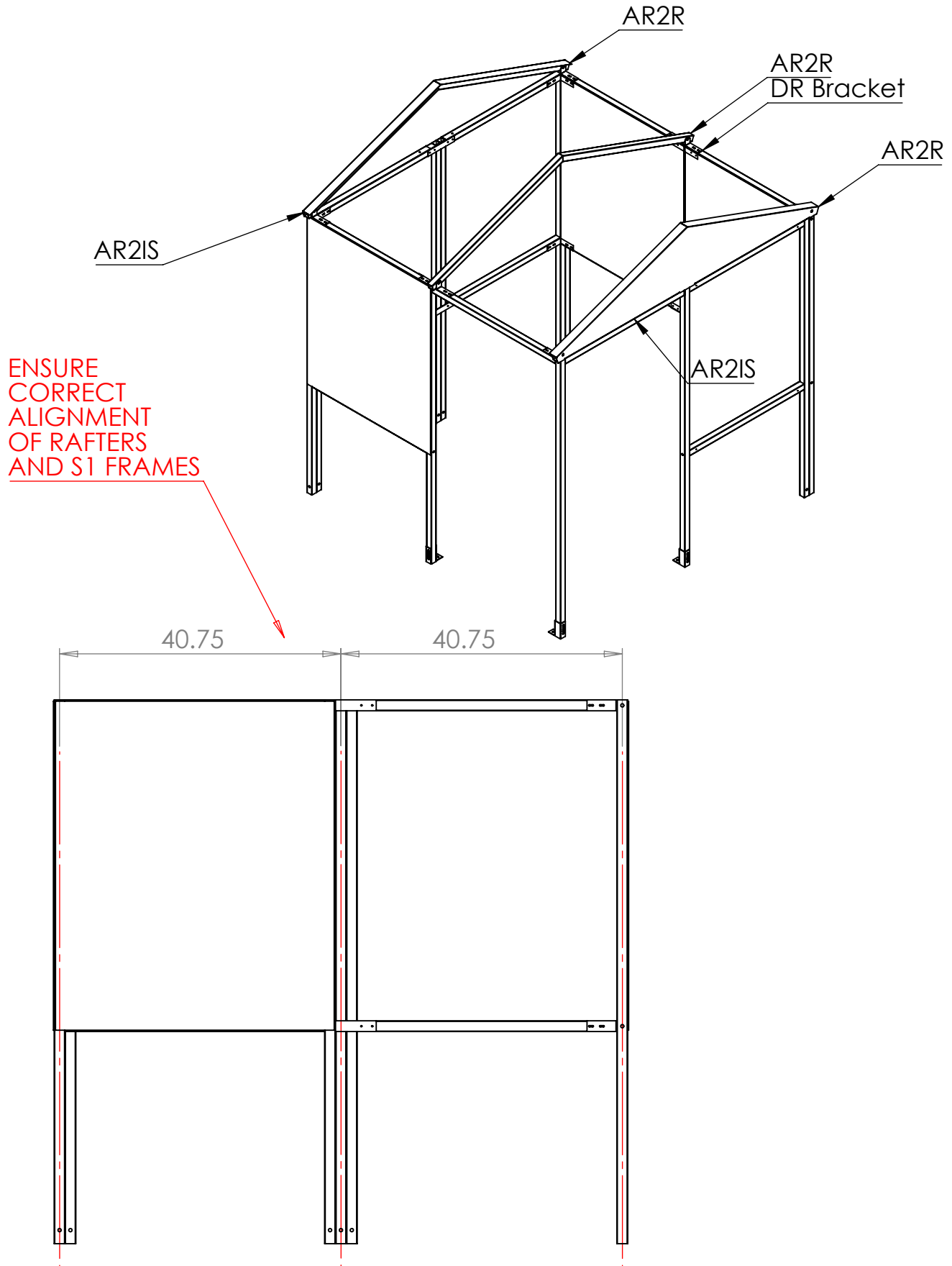
DETAIL C
SCALE 1 : 10



Step 2 Use **JF1** and **CB1** brackets to attach the **P1** post and **ST1** Tie bar .

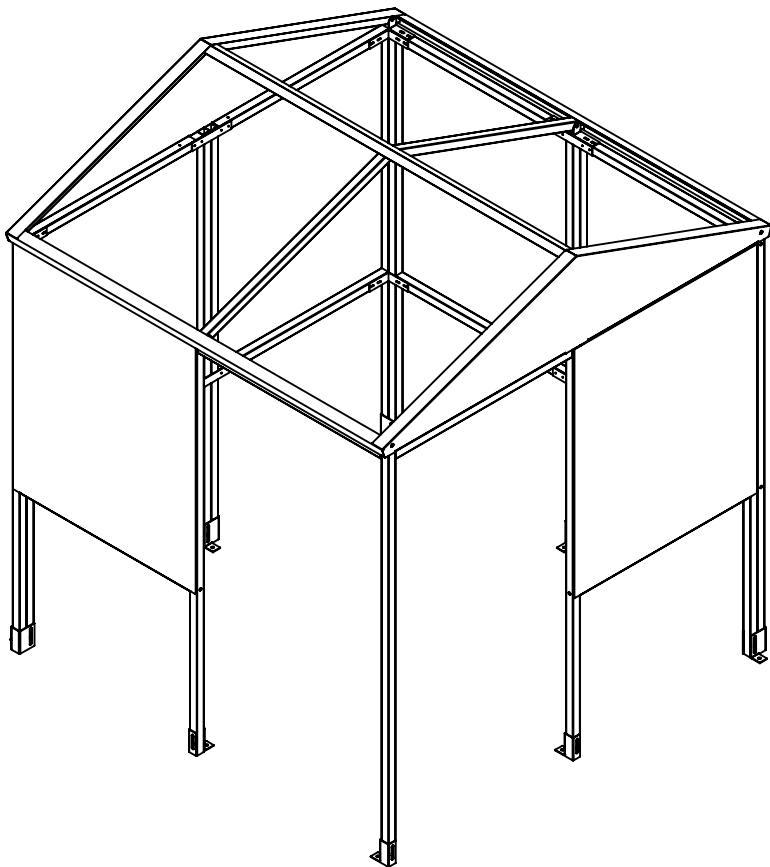
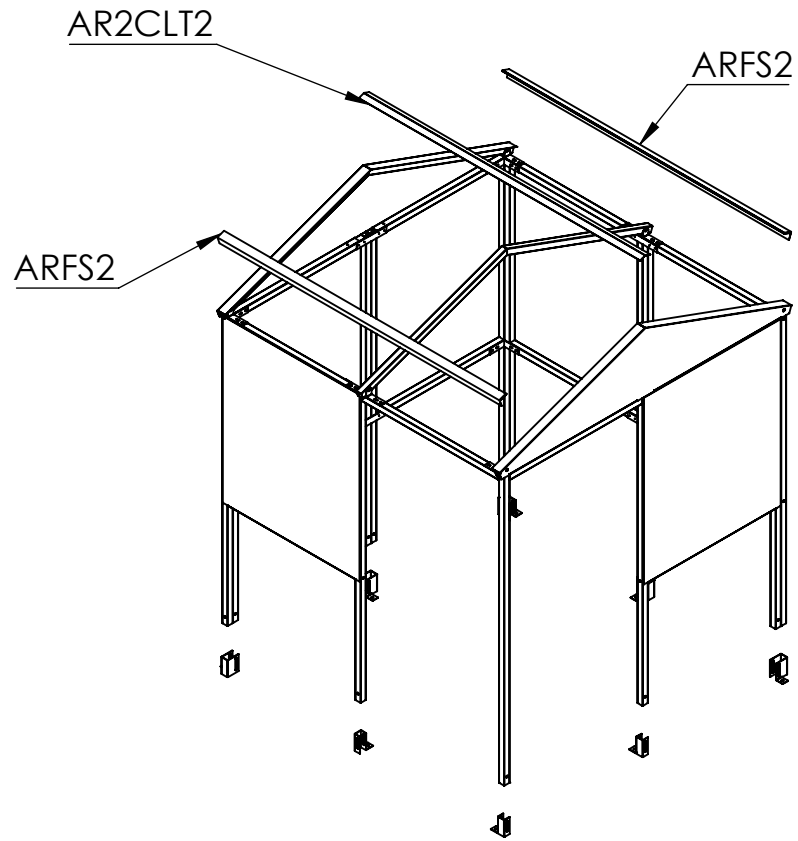


Step 3 Attach **A2R2** rafters using **DR** brackets. Secure the **AR2IS** End Panels to **S1** frames using 1" TECH Screws. The end rafters need to be placed in position at the same time as the **AR2IS**.



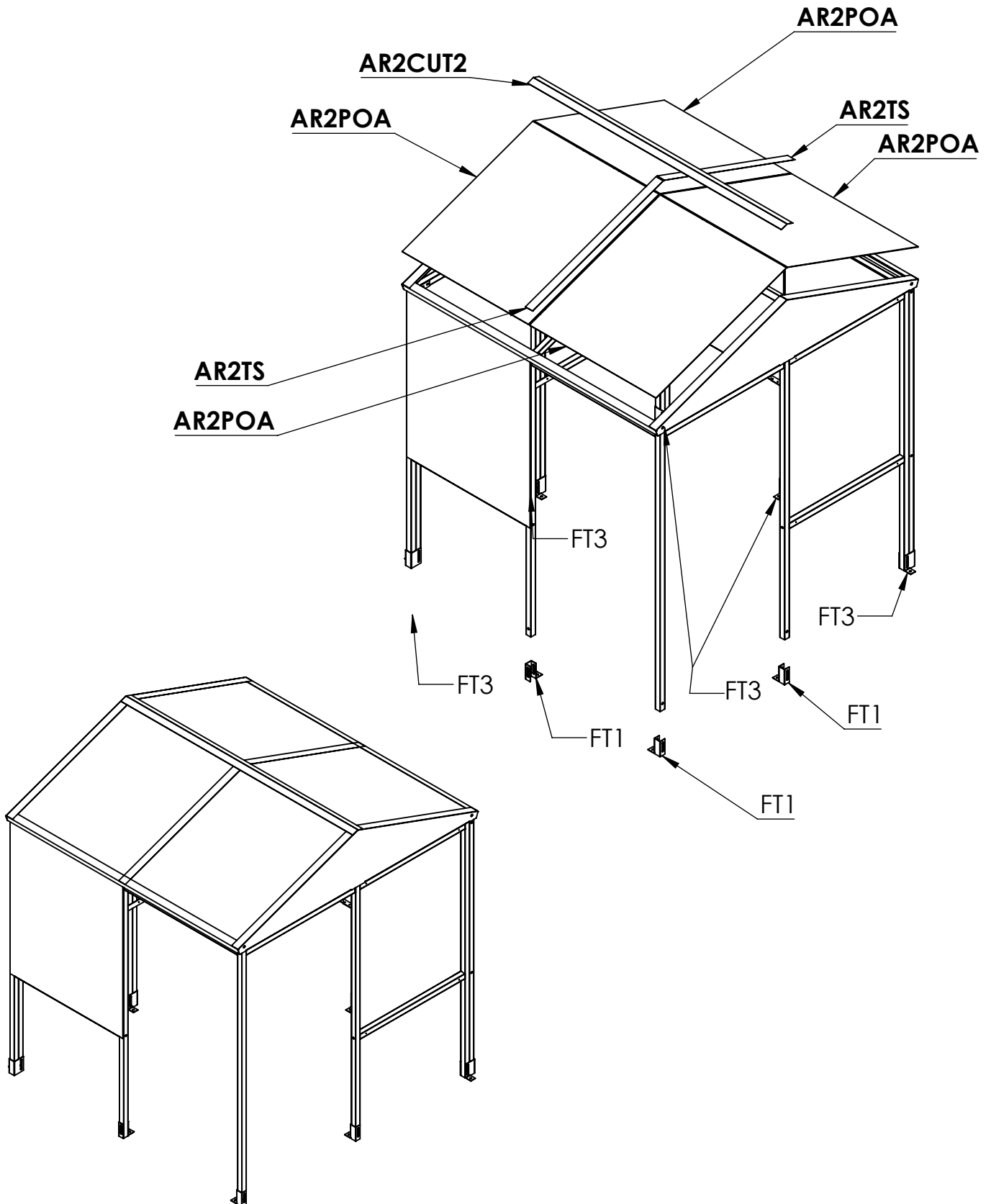
Step 4

Attach the **AR2CLT2** to the top of the rafters. The **ARFS2** parts are to be attached to the lower part of the rafter as shown below.



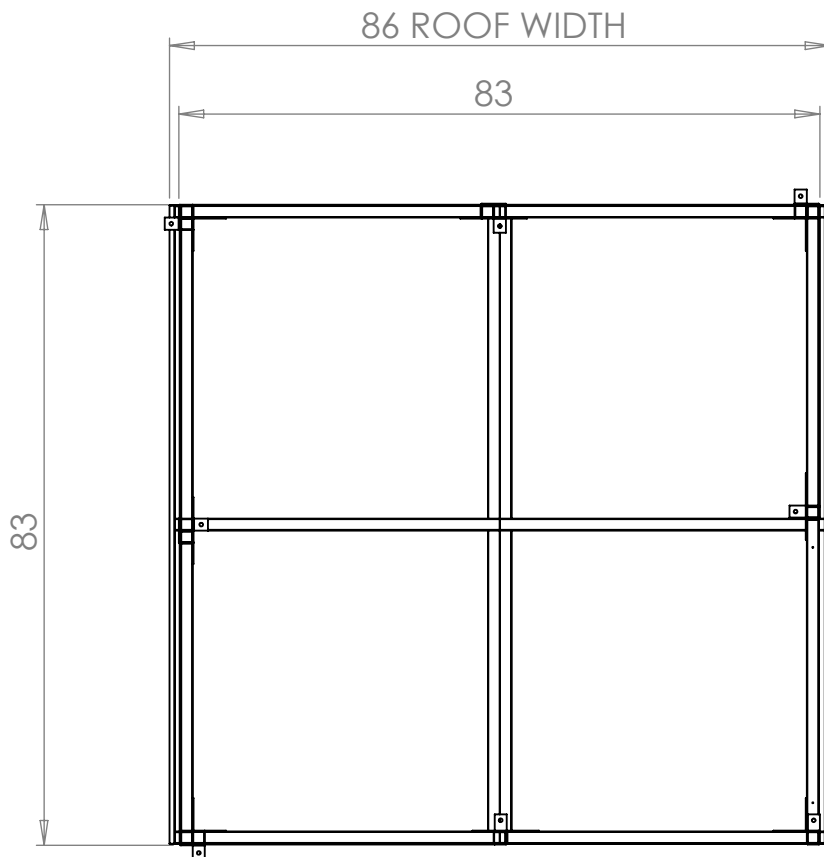
Step 5

Align the outer roof panels **AR2POA** with the outer edges of the shelter. Use the **AR2TS** strips to seal the gap between the roof panels and cap off the top with the **AR2CUT2**. Once the shelter is in its final position it can be secured to the ground using **FT3** and **FT1** brackets and concrete bolts.



PLAN VIEW

OVERALL DIMENSIONS AND GROUND FIXING POSITIONS
Suggested size for concrete base: 8" oversized on all 4 sides.



THANK YOU FOR PURCHASING THIS PRODUCT

MAINTENANCE:

To ensure your products give you many years of use we recommend that you:

- Clean panels regularly with soapy water
- Ensure all fittings are tight (for example after a big storm)
- Touch up any exposed metal should it get scratched

CONTACT DETAILS:

Email : Sales@nobutts.com

Web : www.nobutts.com

Tel : 10888-662-8887

No Butts Bin Company, Inc. 16 Birch lane, Madison, CT 06443

All Parts and Fixings checked by:	
Print Name:	Signature: