

# Assembly Instructions

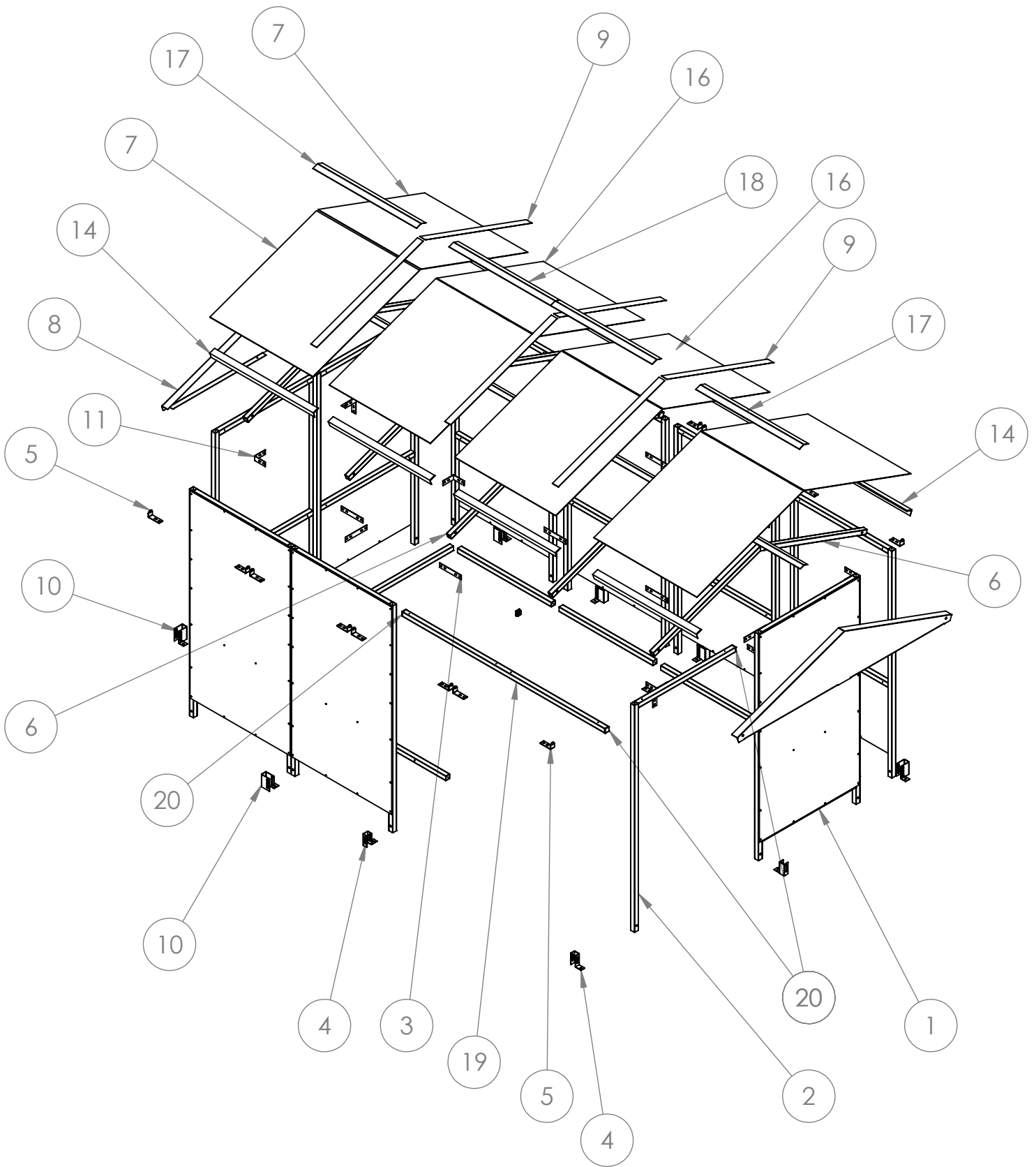


Email : [sales@nobutts.com](mailto:sales@nobutts.com)  
Web : [www.nobutts.com](http://www.nobutts.com)  
Tel : 1-888-662-8887




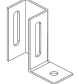
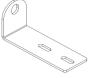


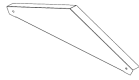

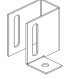
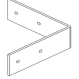
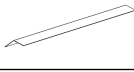
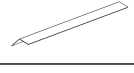
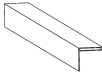
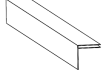
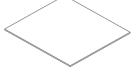
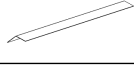


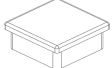
**Shelter type: SR8064-F**

SR8064F-01-03112021-USA

# Exploded View



## PARTS LIST

ITEM NO.	PART NUMBER	DRG number	Size (inch)	IMAGE	QTY.
1	S1C Frame	SC1	78.74 x 40.74		9
2	Post P1	P1	78.75 x 40.5		1
3	JF1 Bracket	JF1	4.33 x 1.57		12
4	FT1 BRACKET	FT1	1.57 x 1.57 x 3.94		3
5	DR Bracket	DR	4.3 x 1.6 x 2		16
6	AR2R 2m Pitch Rafter	AR2R	85.75		5
7	AR2POA AR2 Roof Panel outer ALU	AR2POA	45.5 x 41.3		4
8	AR2IS 2m Pitch Infill Panel Shallow	AR2IS	85		2
9	AR2TS 2m Apex Roof Trim strip	AR2TS	45.5 x 2.3		6
10	FT3 Bracket	FT3	1.57 x 3.15 x 4.17		8
11	CB1 Bracket	CB1	4.3 x 4.3 x 1.57		9
12	Roof centre lower trim outer	AR2CLTO-03	41.4		2
13	Roof centre lower trim inner	AR2CLTI-02	40.74		2
14	Roof F Section Outer	ARFSO	41.5		4
15	ARFSI Apex Roof F Section Inner	ARFSI	40.75		4
16	AR2PIA AR2 Roof Panel inner ALU	AR2PIA	45.5 x 40.5		4
17	Roof centre upper trim outer	AR2CUTO-02	41.5		2
18	Roof centre upper trim inner	AR2CUTI	40.75		2
19	ST3 Roof Tie	ST3	81.1		1
20	40x40 Plastic End Cap	EC40	1.6 x 1.6		3

# FIXINGS

Fitings	Bolt set M10			T25	T50		BTANCM12100
	M10 x 60mm	Nut	Washer	1" Tech screw	1.5" Tech screw	Black Caps	M10/12 x 100mm Concrete Bolt
Pack A+B	33	33	66	136	40	66	11
Image							

### Tools required:



Drill/Screwdriver



17mm Wrench

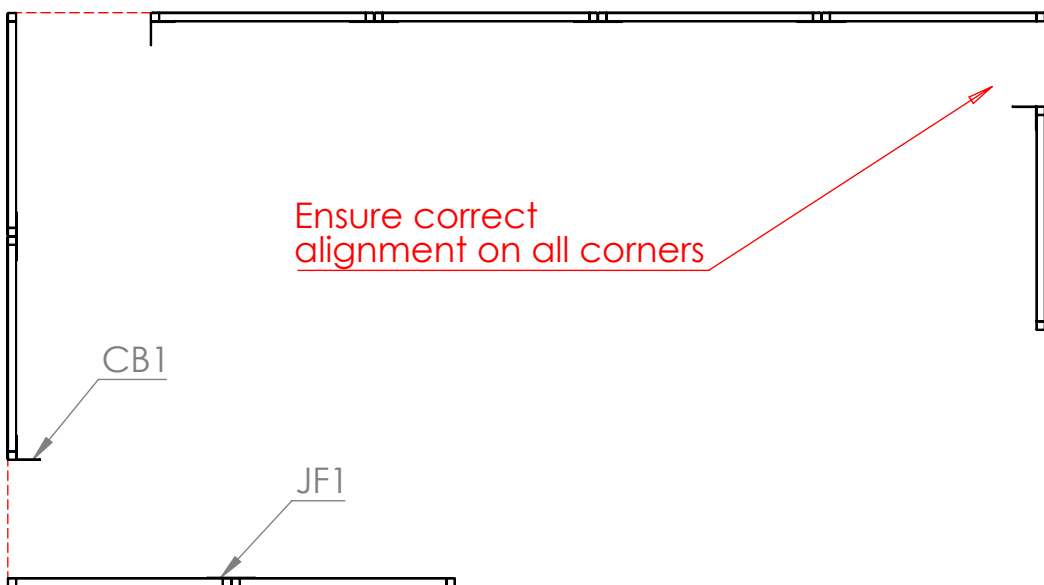
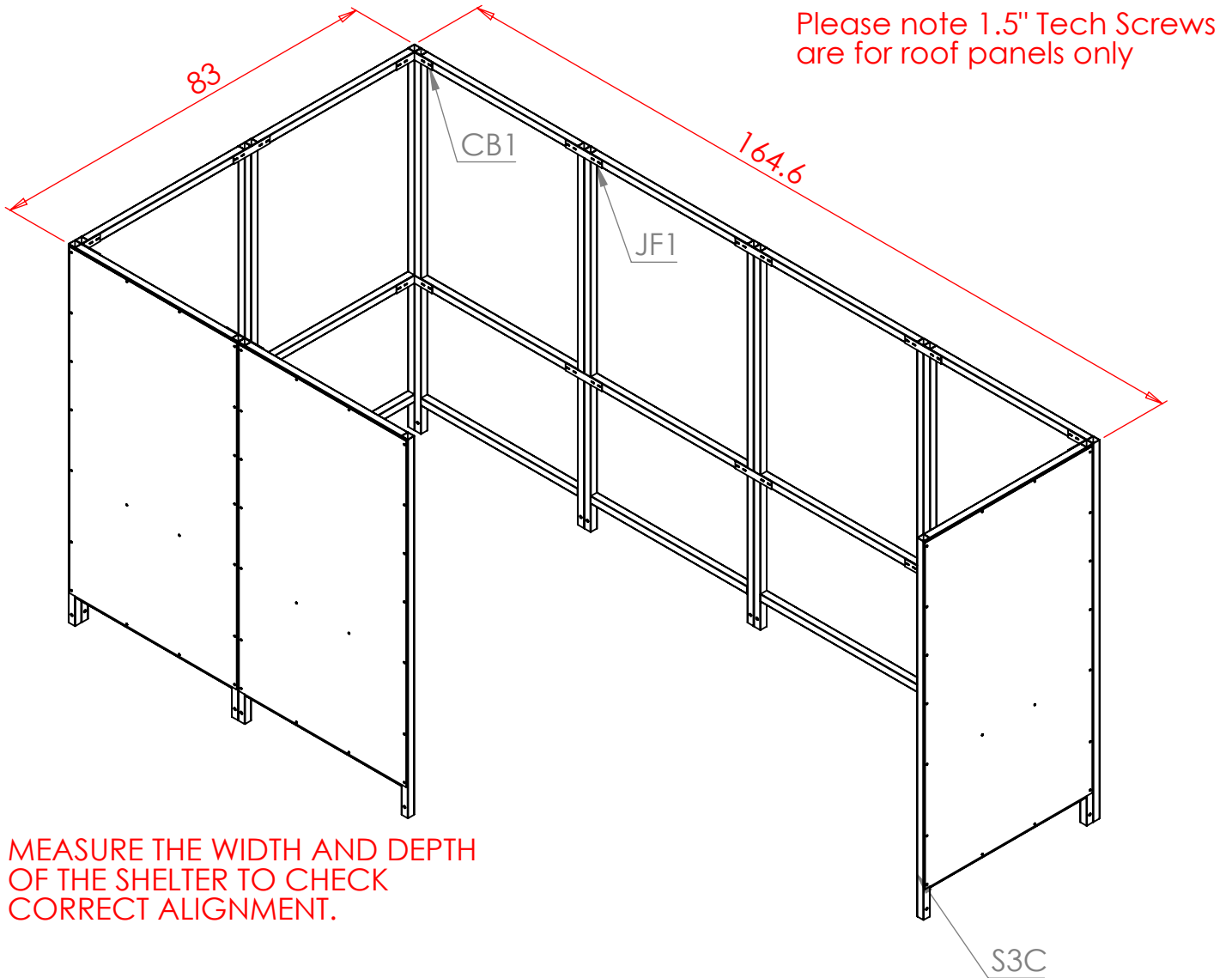


Mallet

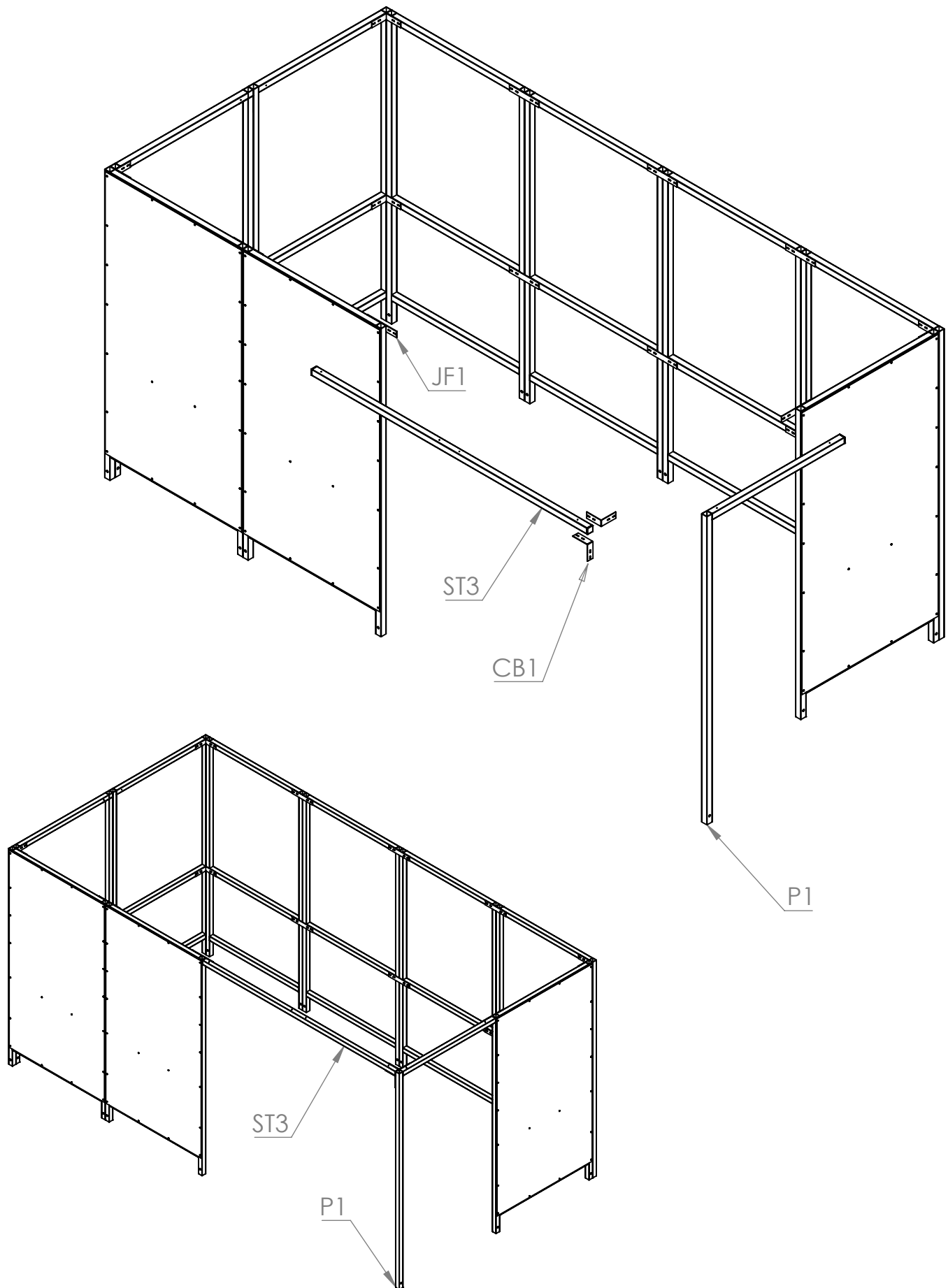


T25 Torx bit

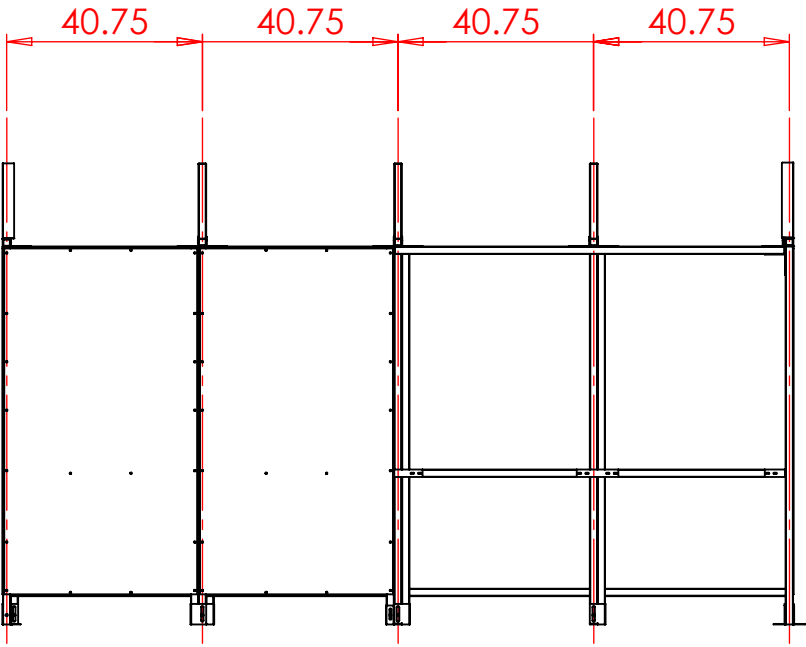
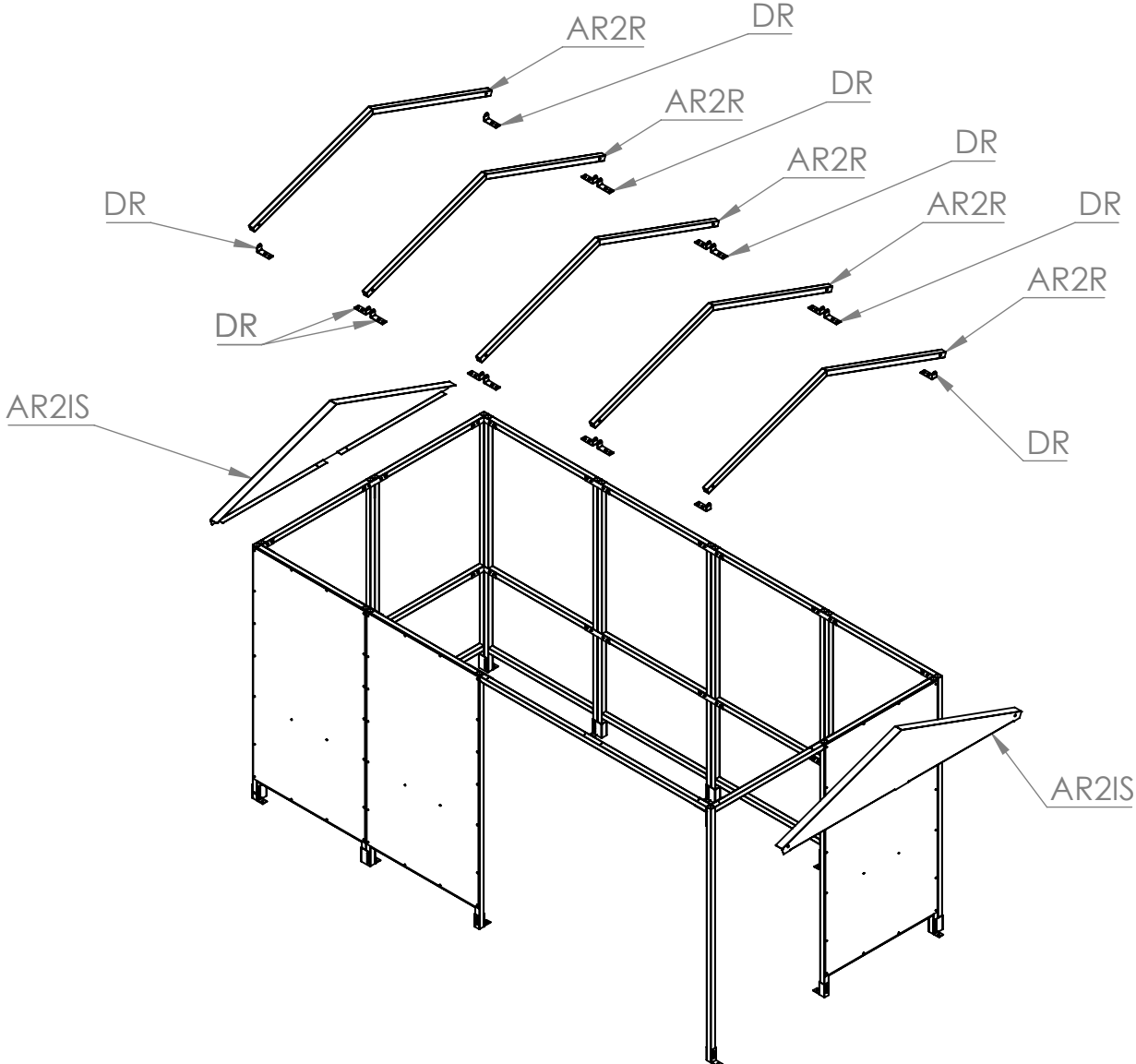
**Step 1** Assemble **S1C** frames to make up the main structure using **CB1** brackets for the corners and **JF1** brackets for the straight joints.



**Step 2** Use **JF1** and **CB1** brackets to attach the **P1** post and **ST3** Tie bar .

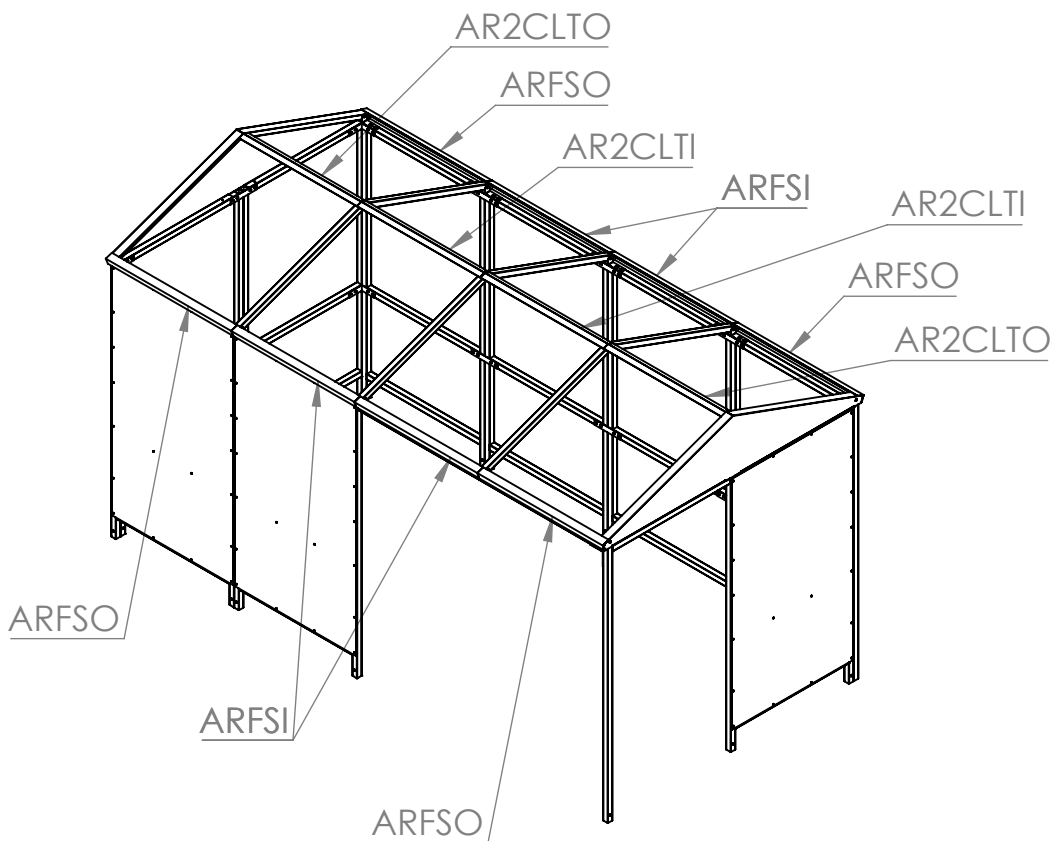
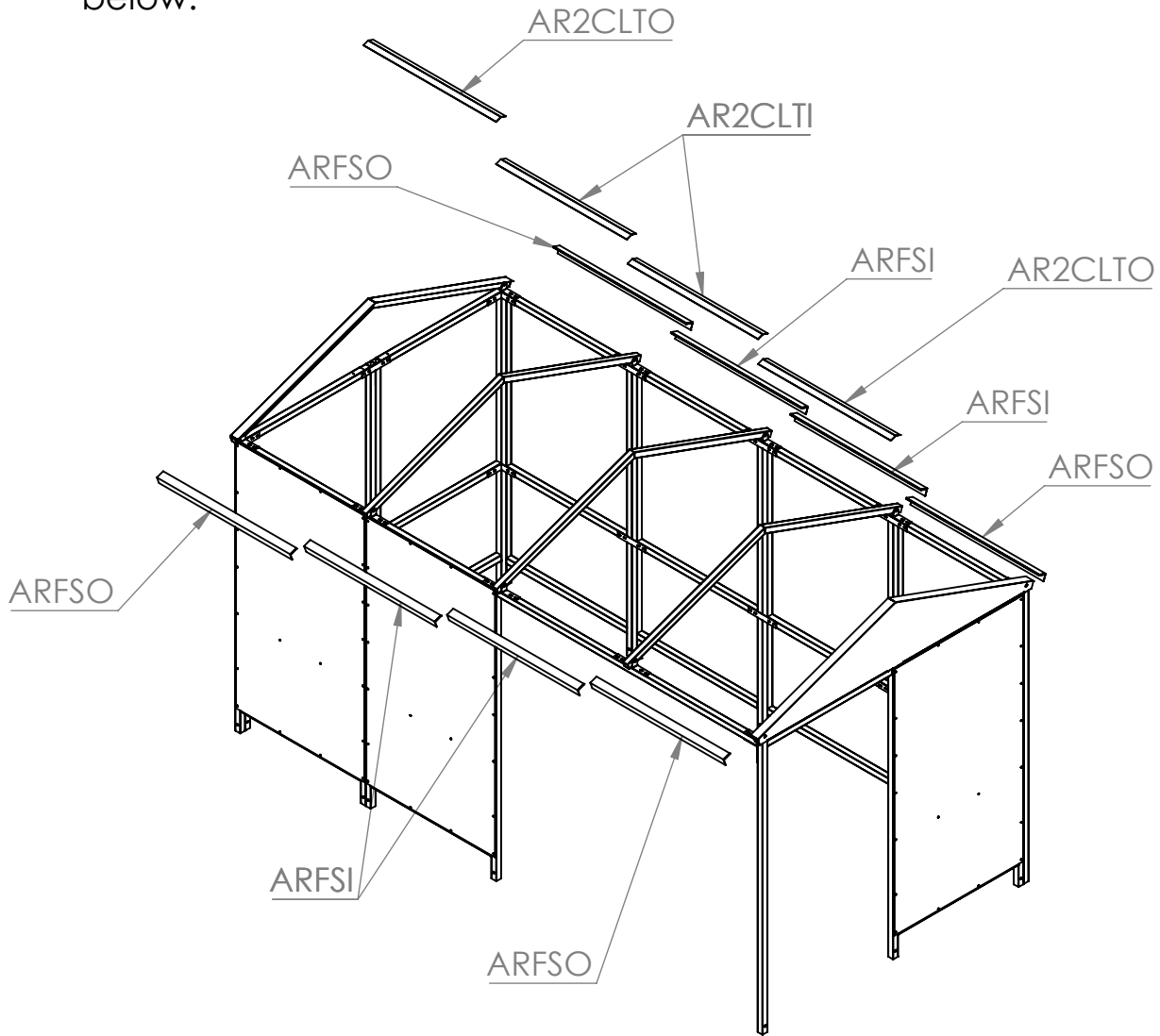


**Step 3** Attach **A2R2** rafters using **DR** brackets. Secure the **AR2IS** End Panels to the frames using Tech Screws. The end rafters need to be placed in position at the same time as 1" the **AR2IS**.



FRONT VIEW

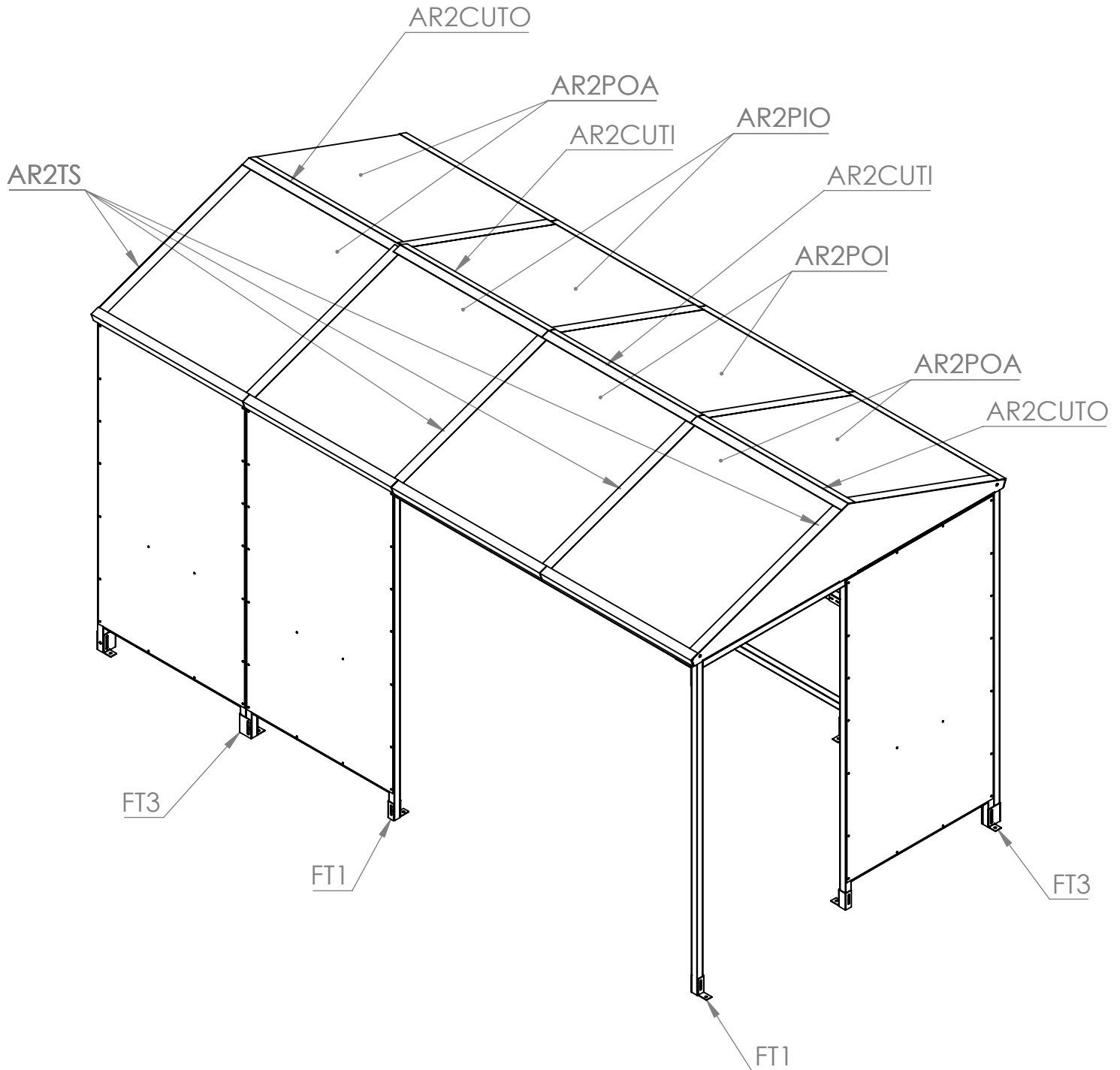
**Step 4** Attach the **AR2CLTI** and **AR2CLTO** to the top of the rafters. The **ARFSI** and **ARFSO** parts are to be attached to the lower part of the rafter as shown below.





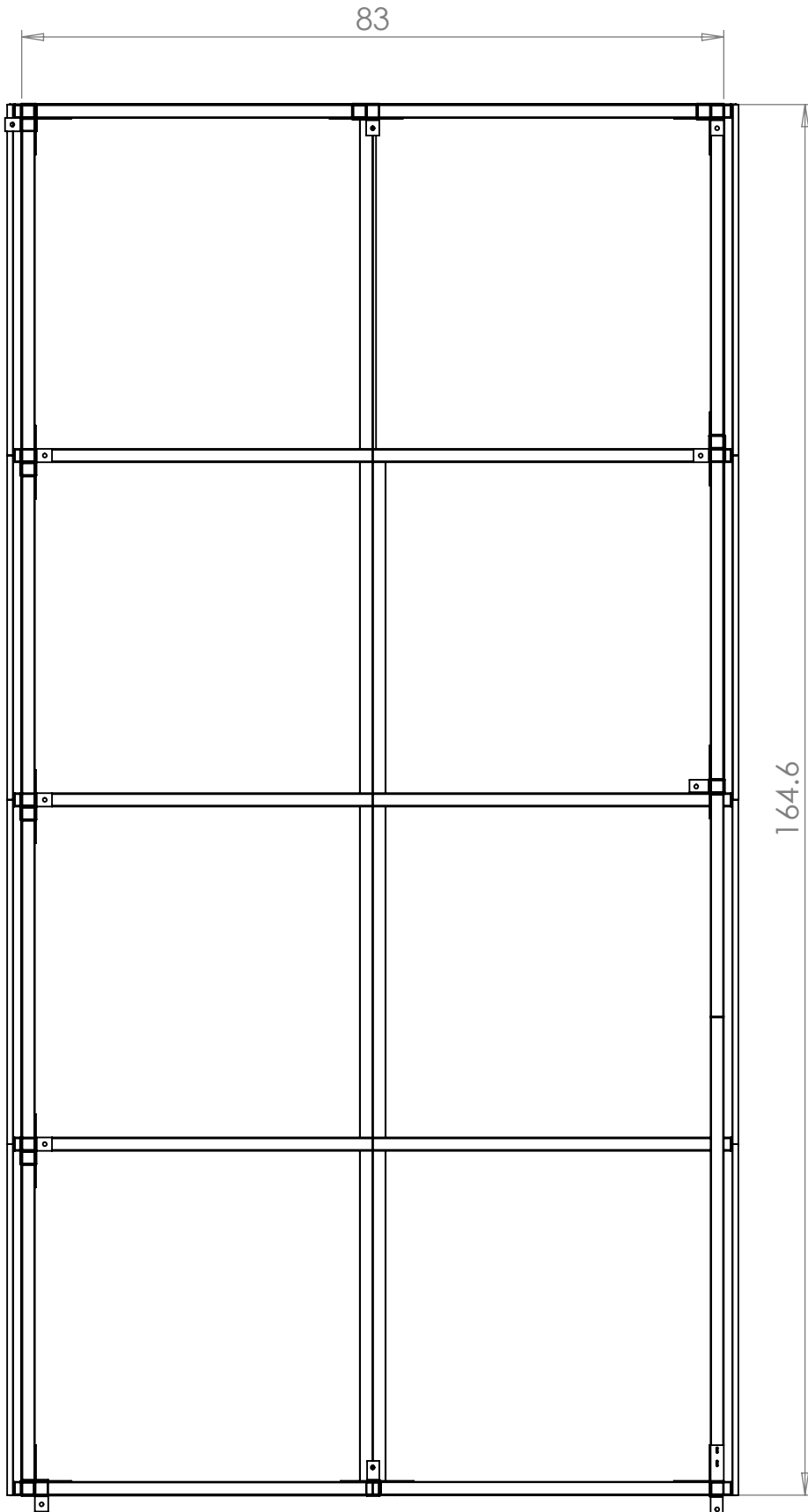
## Step 5

Align the outer roof panels **AR2POA** with the outer edges of the shelter and space the **AR2PIA** panels central. Use the **AR2TS** strips to seal the gap between the roof panels and cap off the top with the **AR2CUT2**. Once the shelter is in the final position it can be secured to the ground using concrete bolts and brackets **FT3/FT1**.



## PLAN VIEW

OVERALL DIMENSIONS AND GROUND FIXING POSITIONS  
Suggested size for concrete base: 8" oversized on all 4 sides.



# THANK YOU FOR PURCHASING THIS PRODUCT

## MAINTENANCE:

To ensure your products give you many years of use we recommend that you:

- Clean panels regularly with soapy water
- Ensure all fittings are tight (for example after a big storm)
- Touch up any exposed metal should it get scratched

## CONTACT DETAILS:

Email : Sales@nobutts.com

Web : www.nobutts.com

Tel : 10888-662-8887

No Butts Bin Company, Inc. 16 Birch lane, Madison, CT 06443

<b>All Parts and Fixings checked by:</b>	
Print Name:	Signature: