

Assembly Instructions

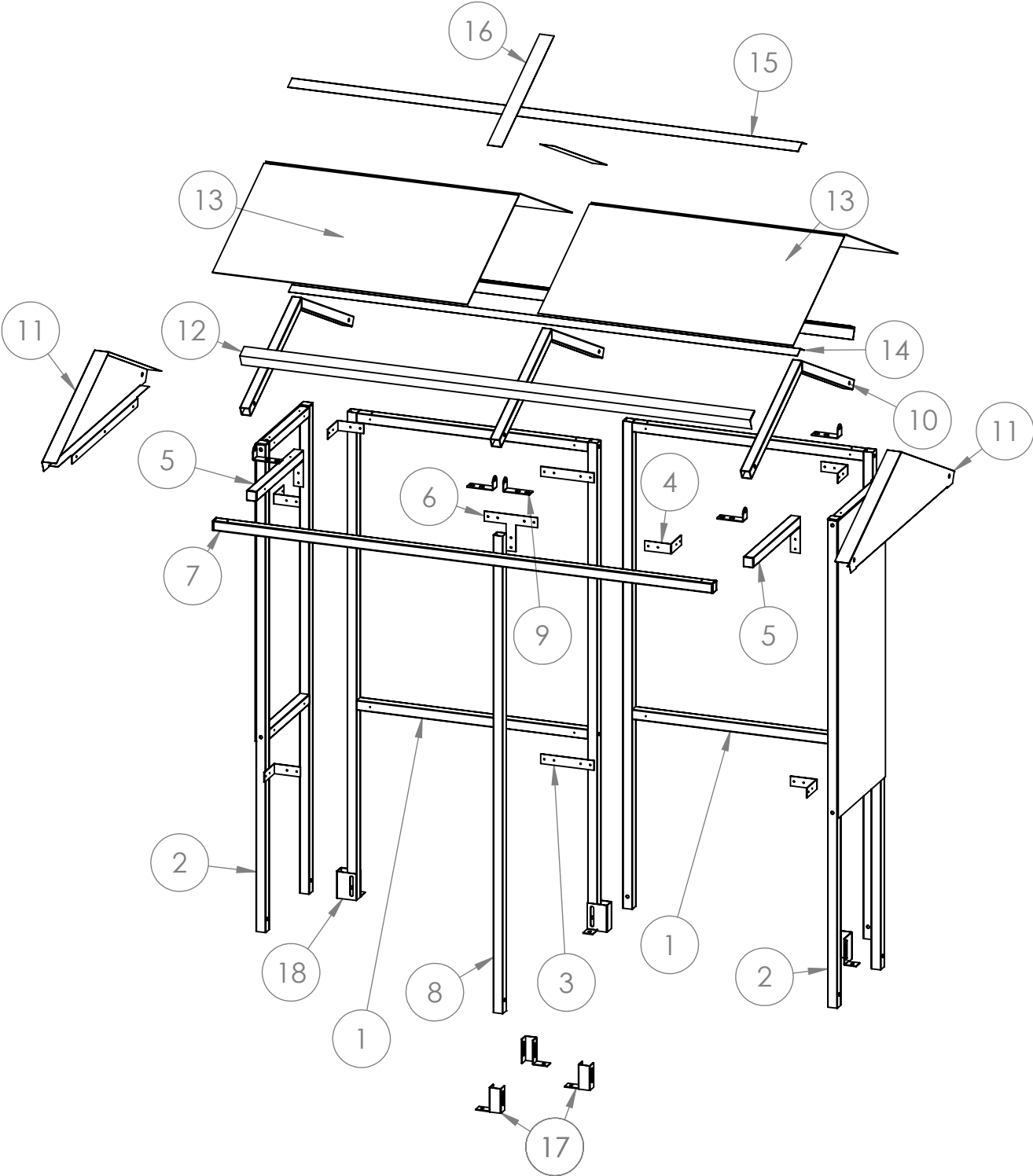


Email : sales@nobutts.com
Web : www.nobutts.com
Tel : 1-888-662-8887

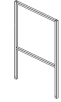
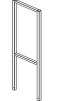
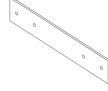
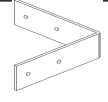
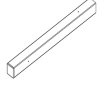
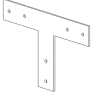

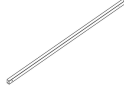
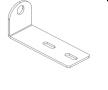

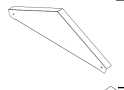


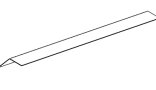
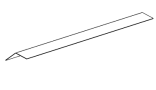

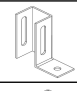
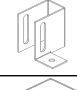
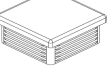
Shelter type: SR8301

SR8301-01-07092021-USA


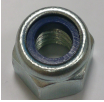
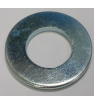




EXPLODED VIEW



PARTS LIST

ITEM NO.	PART NAME	DRG NUMBER	Size (inch)	IMAGE	QTY.
1	S1 Frame	S1	78.74 x 40.74		2
2	S3 Frame 20 (M3)	S3	78.74 x 20.3		2
3	JF1 Bracket	JF1	8.7 x 1.6		2
4	CB1 Bracket	CB1	4.3 x 4.3 x 1.6		8
5	ST15 Tie Bar	ST15	20.15 x 1.57 x 1.57		2
6	JFT	JFT	8.66 x 5.9		1
7	ST3 Roof Tie	ST3	81.1 x 1.57 x 1.57		1
8	Post P5	P5	77.15 x 1.57 x 1.57		1
9	DR Bracket	DR	4.3 x 1.6 x 2		8
10	AR1R 1m Pitch Rafter	AR1R	45 x 11.8 OA		3
11	AR1IS 1m Pitch Infill Panel Shallow	AR1IS	45.2 x 13.5		2
12	ARFS2 Apex Roof F section 2m	ARFS2	83.1 x 2 x 2		2
13	AR1POA Roof Panel outer alu	AR1POA	41.5 x 24.4		4
14	AR1CLT2 1m Apex Roof centre lower trim 2m	AR1CLT2-02	82.9 x 3.1		1
15	AR1CUT2 1m Apex Roof centre upper trim 2m	AR1CUT2	83.1 x 3.9		1
16	AR1TS 1m Apex Roof Trim strips	AR1TS	24.8 x 2.3		2
17	FT1 BRACKET	FT1	1.57 x 1.57 x 3.94		3
18	FT3 Bracket	FT3	1.57 x 3.15 x 4.17		3
19	40x40 Plastic End Cap	EC40	1.6 x 1.6		6

FIXINGS

Fittings	Bolt set M10			T25	T38		BTANCM12100
	M10 x 60mm	Nut	Washer	1" Tech screw	1.5" Tech screw	Black Caps	M10/12 x 100mm Concrete Bolt
Pack A+B	33	33	66	136	40	66	11
Image							

Tools required:



Drill/Screwdriver



17mm Wrench

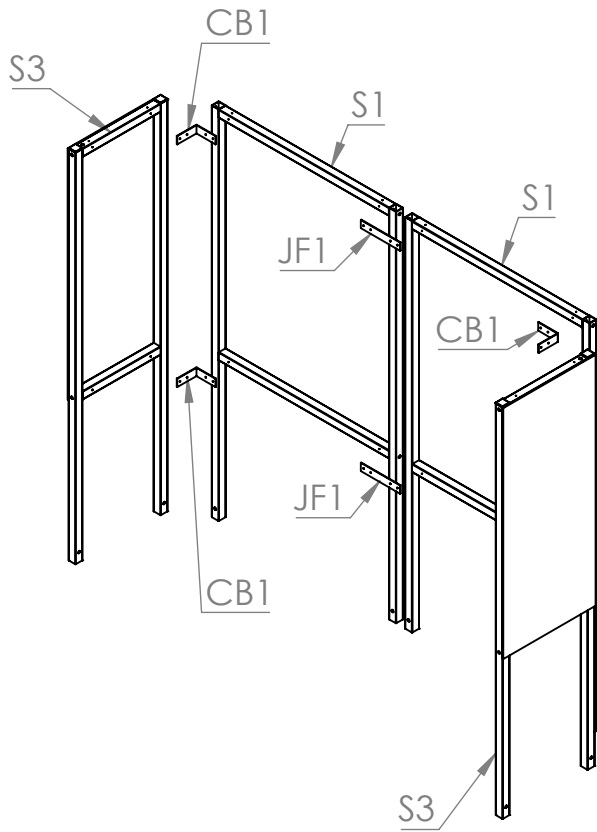


Mallet

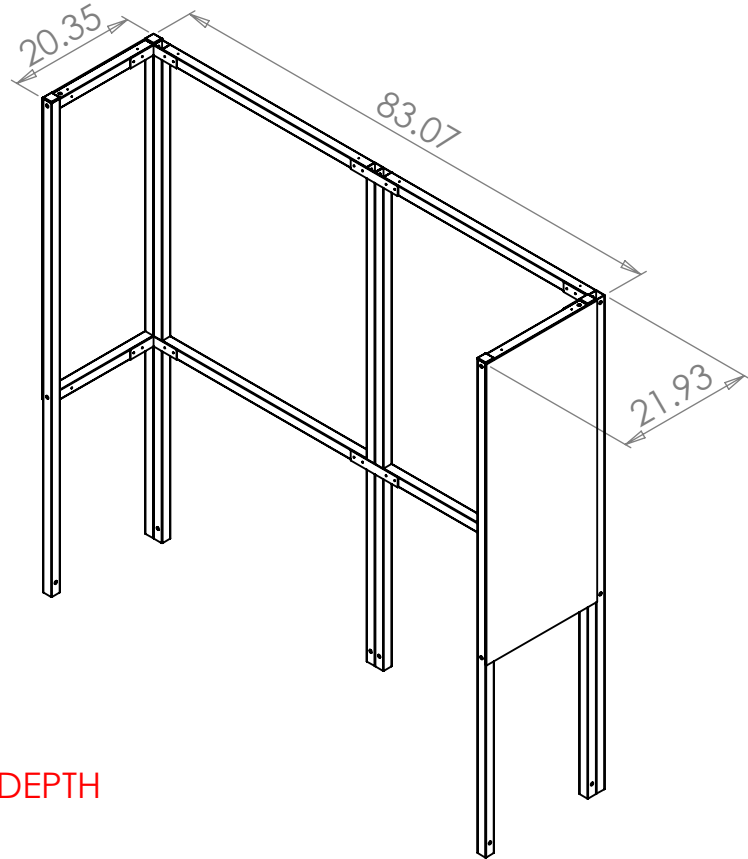


T25 Torx bit

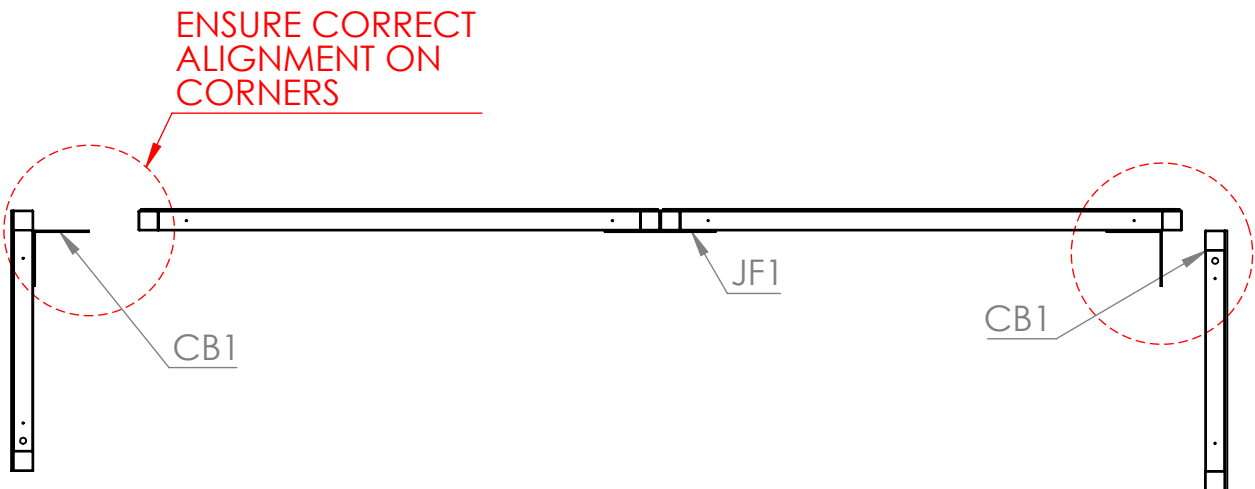
Step 1 Assemble **S1** and **S3** frames to make up the main structure using **CB1** brackets for the corners and **JF1** brackets for the straight joints.



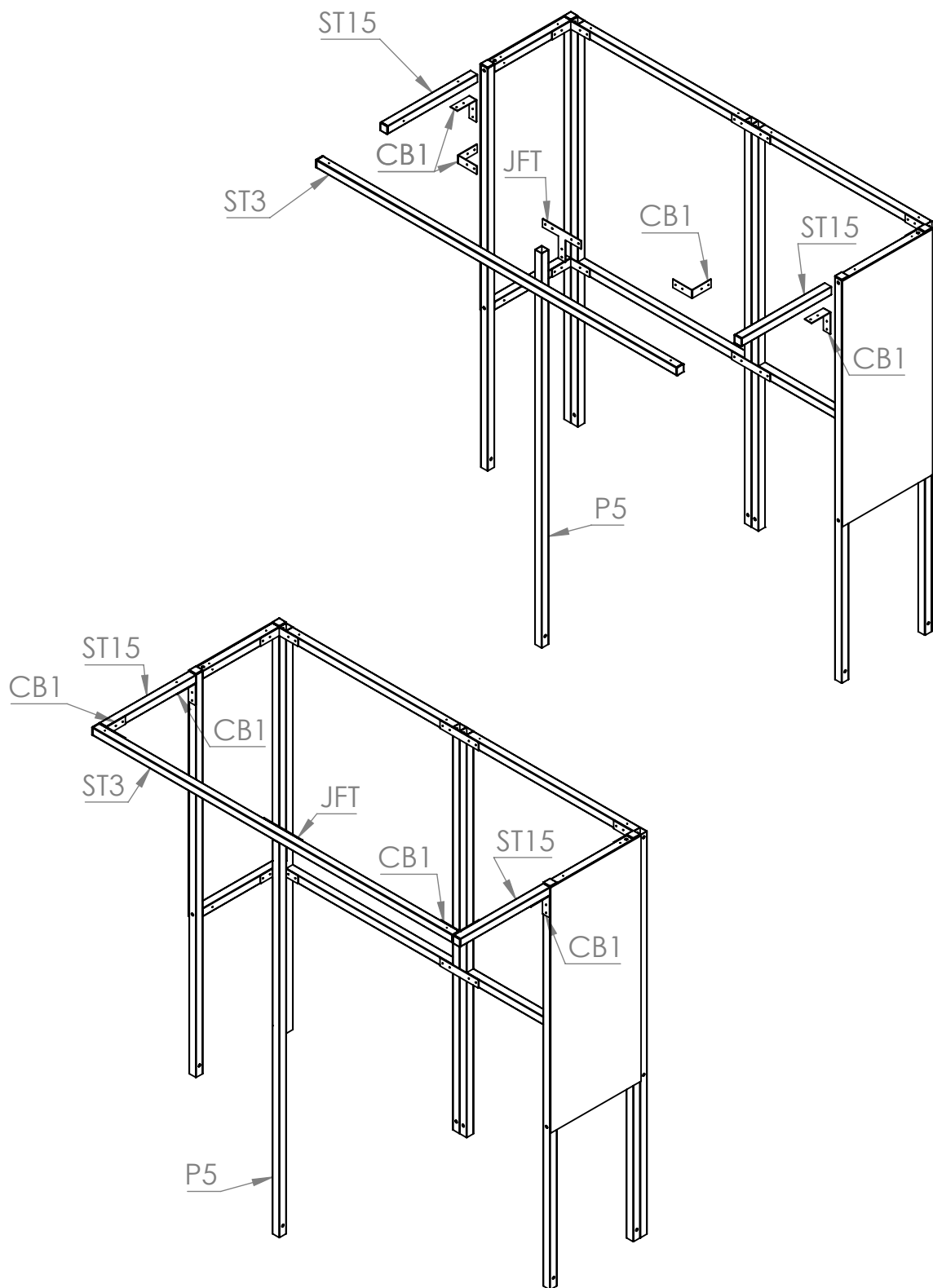
Please note 1.5" Tec Screws are for roof panels only



MEASURE THE WIDTH AND DEPTH OF THE SHELTER TO CHECK CORRECT ALIGNMENT.

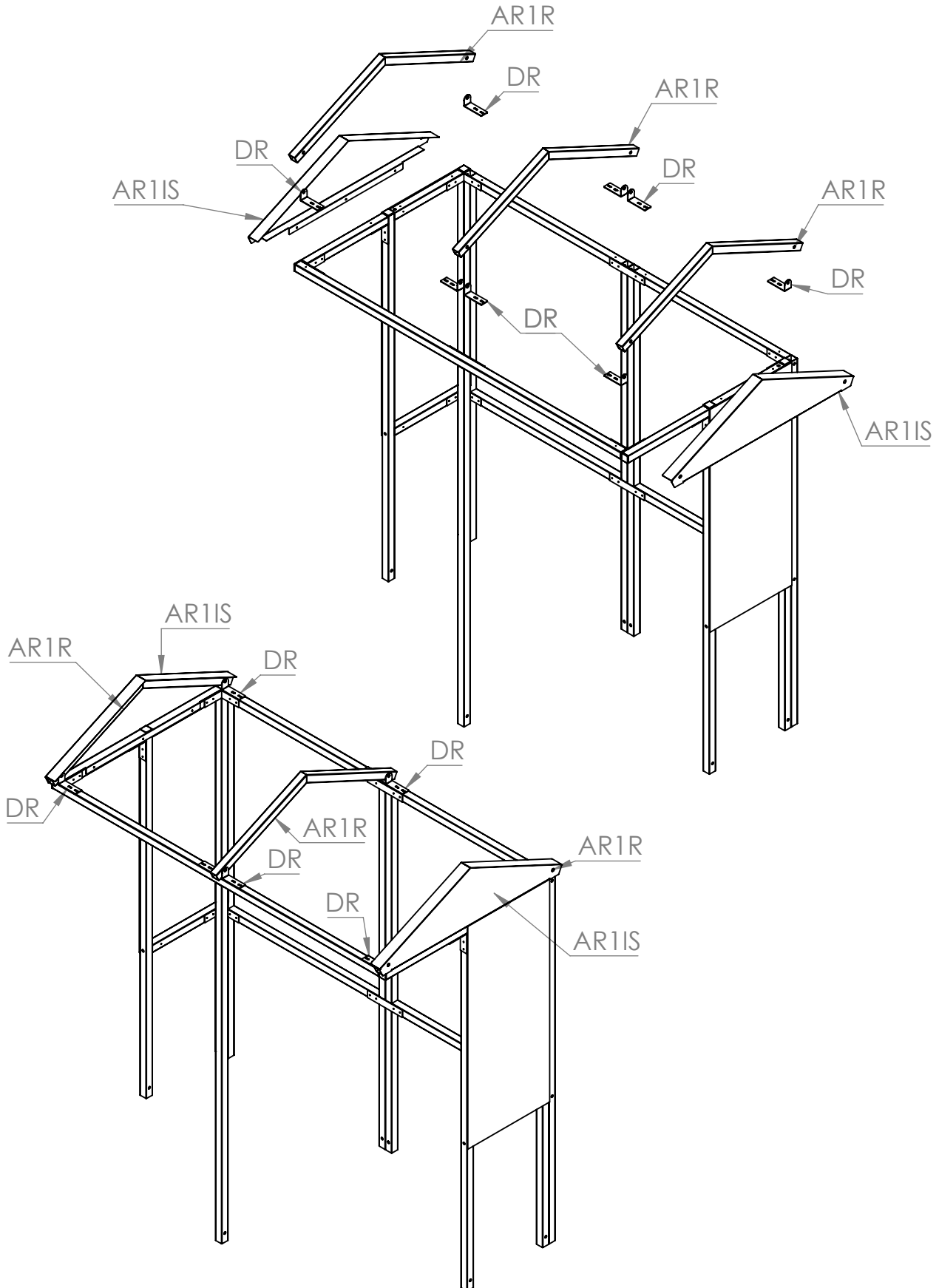


Step 2 Attach **ST15** Tie bars to **S3C** frames using **CB1** Brackets. Assemble the **ST15** Tie Bars with the **ST3** Tie bar and the **P5** Post, using the **CB1** Corner Brackets and the **JFT** Bracket as shown below.



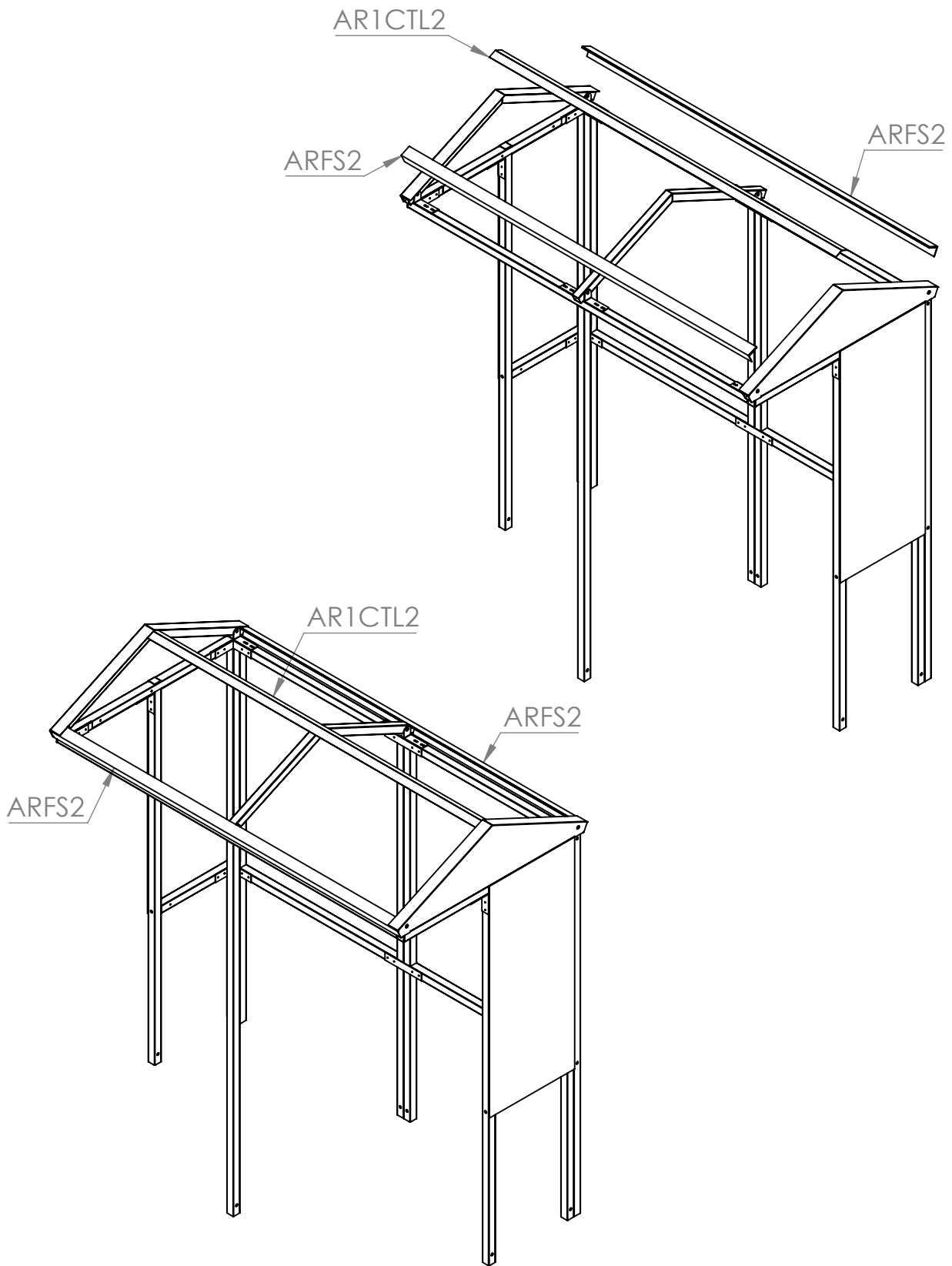
Step 3

Attach **AR1R** rafters using **DR** brackets. Secure the **AR1IS** to **S1** frames using tec screws. The end rafters need to be placed in position at the same time as the **AR1IS**.



Step 4

Attach the **AR1CTL2** to the top of the rafters. The **ARFS2** parts are to be attached to the lower part of the rafters as shown below.



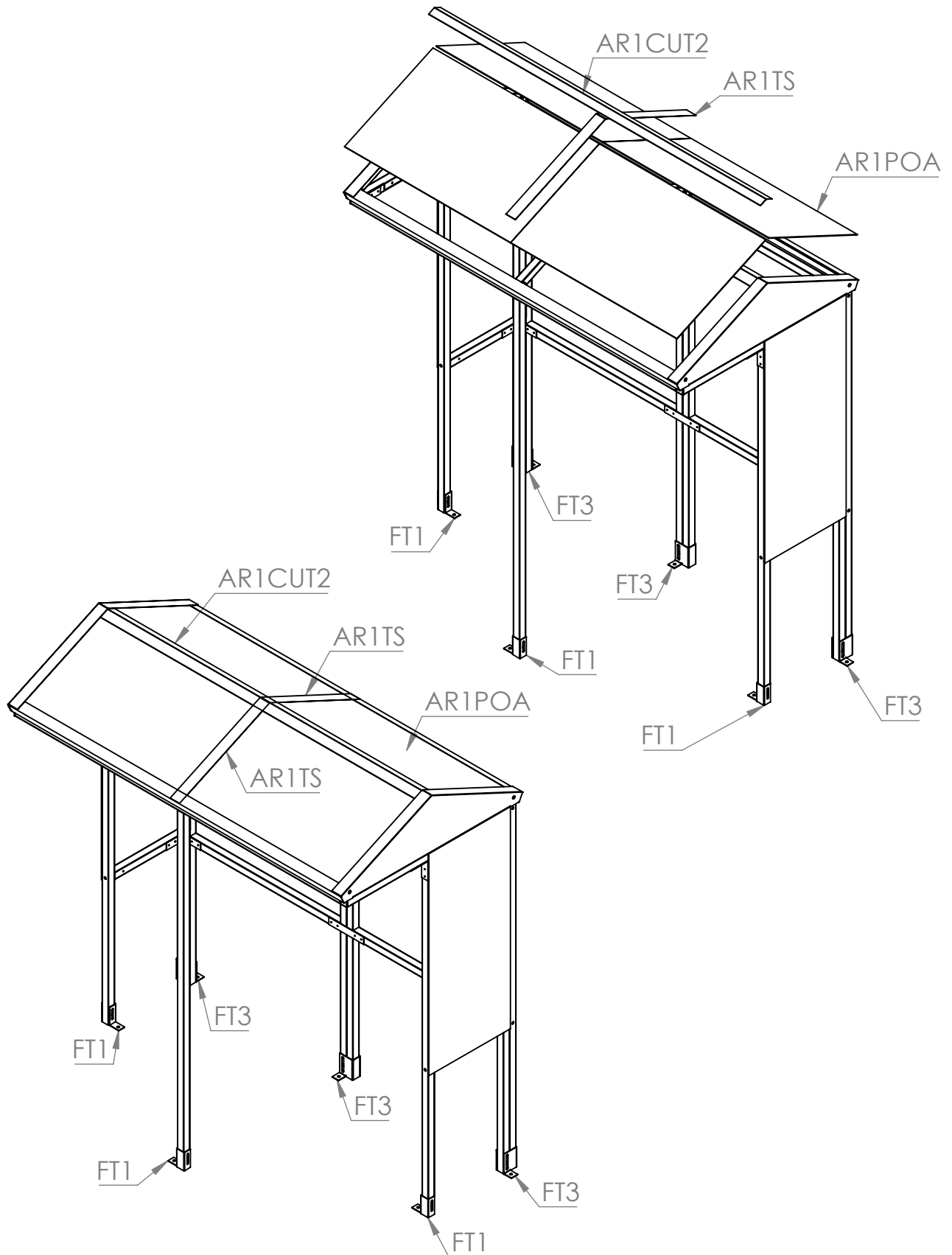
Step 5

Attach the **AR1POA** roof panels to the top of the rafters.

Cap off the top using **AR1CUT2** trim as shown.

Use the **AR1TS** strips to cover the gaps between the panels.

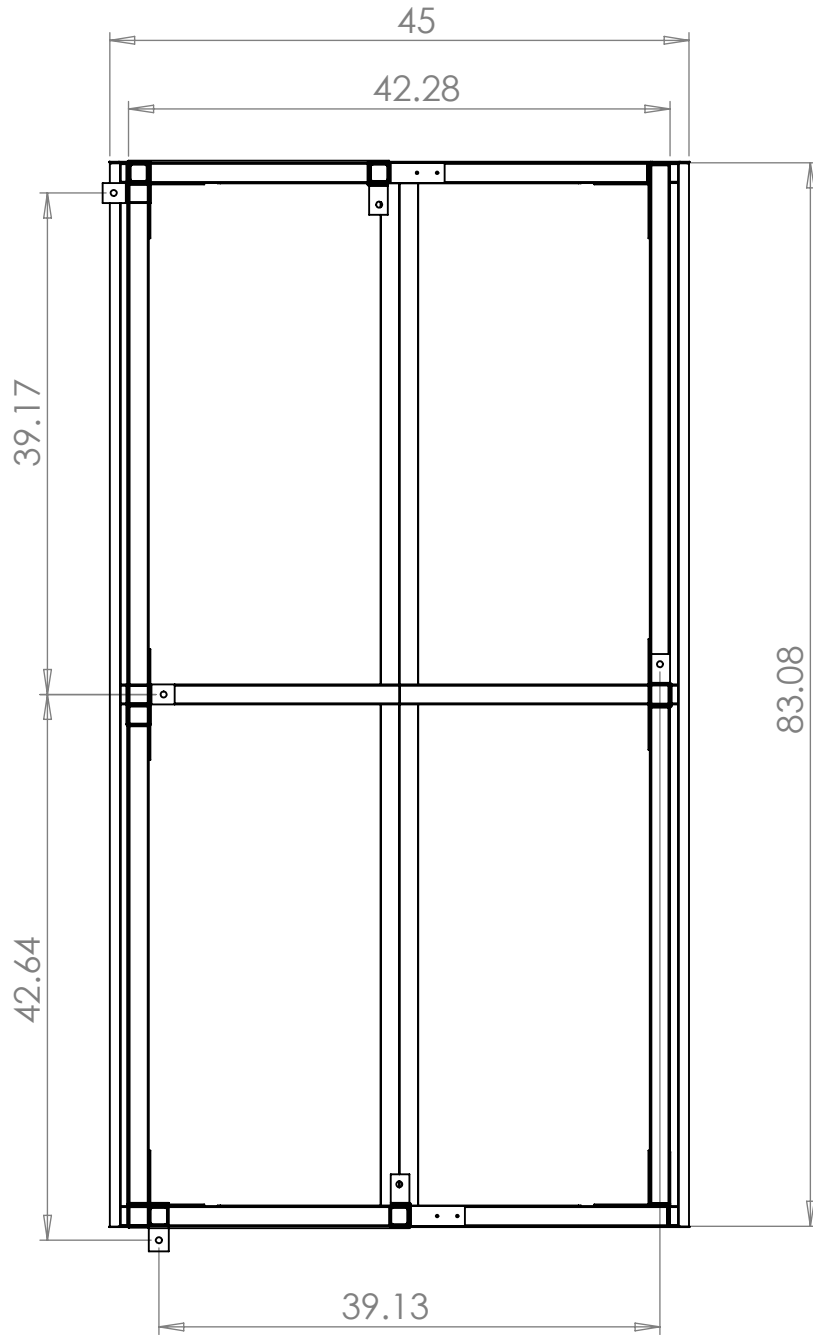
Once the shelter is in the final position and square, it can be secured to the ground using the **FT3** and **FT1** brackets.



PLAN VIEW

OVERALL DIMENSIONS AND GROUND FIXING POSITIONS

Suggested size for concrete base: 7.8" oversized on all 4 sides.



THANK YOU FOR PURCHASING THIS PRODUCT

MAINTENANCE:

To ensure your products give you many years of use we recommend that you:

- Clean panels regularly with soapy water
- Ensure all fittings are tight (for example after a big storm)
- Touch up any exposed metal should it get scratched

CONTACT DETAILS:

Email : Sales@nobutts.com

Web : www.nobutts.com

Tel : 1-888-662-8887

No Butts Bin Company, Inc. 16 Birch Lane, Madison, CT 06443

All Parts and Fixings checked by:	
Print Name:	Signature: