

Assembly Instructions

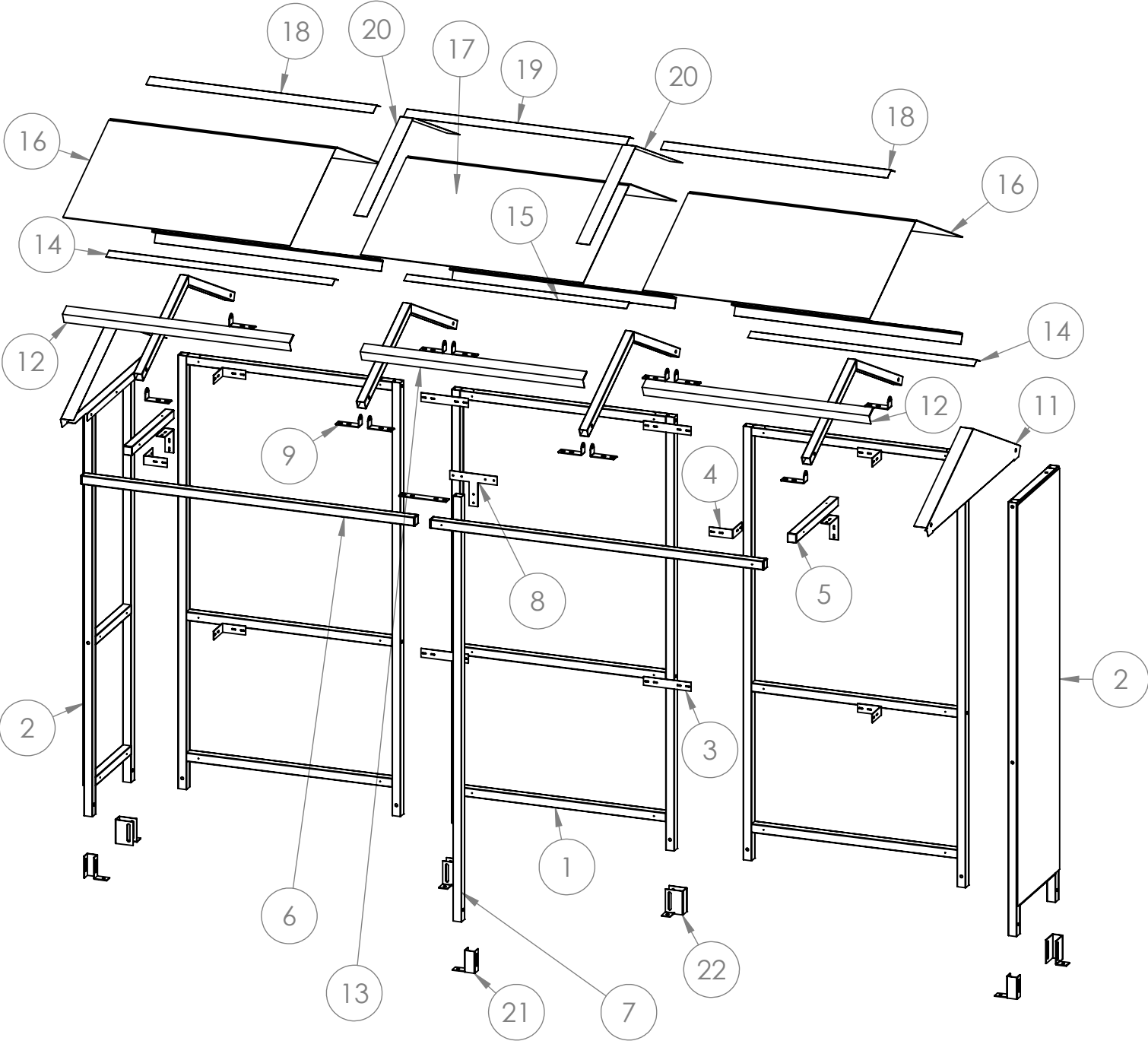


Email : sales@nobutts.com
Web : www.nobutts.com
Tel : 1-888-662-8887

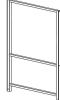
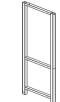
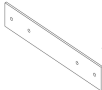
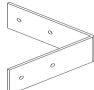
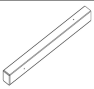


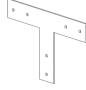
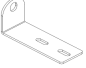

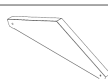











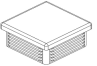
Shelter type: SR8302-F

SR8302-F-01-16092021-USA


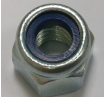
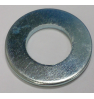




EXPLODED VIEW



PARTS LIST

ITEM NO.	PART NAME	DRG NUMBER	Size (inch)	IMAGE	QTY.
1	S1C Frame	S1C	78.74 x 40.74		3
2	S3C Frame	S3C	78.74 x 20.3		2
3	JF1 Bracket	JF1	4.33 x 1.57		5
4	CB1 Bracket	CB1	4.3 x 4.3 x 1.57		8
5	ST15 Tie Bar	ST15	20.15 x 1.57 x 1.57		2
6	ST5 Roof Tie	ST5	60.75		2
7	Post P5	P5	77.15 x 1.57 x 1.57		1
8	JFT	JFT	8.66 x 5.9		1
9	DR Bracket	DR	4.3 x 1.6 x 2		12
10	AR1R 1m Pitch Rafter	AR1R	45 x 11.8 OA		4
11	AR1IS 1m Pitch Infill Panel Shallow	AR1IS	45.2 x 13.5		2
12	Roof F Section Outer	ARFSO	41.5		4
13	ARFSI Apex Roof F Section Inner	ARFSI	40.75		2
14	AR1CLTO 1m Apex Roof Centre Lower Trim Outer	AR1CLTO	41.4		2
15	AR1CLTI 1m Apex Roof centre lower trim inner	AR1CLTI	40.74		1
16	AR1POA Roof Panel outer alu	AR1POA	41.5 x 24.4		4
17	AR1PIA Roof Panel inner ALU	AR1PIA	40.75 x 24.4		2
18	AR1CUTO 1m Apex Roof centre upper trim outer	AR1CUTO	41.5		2
19	AR1CUTI 1m Apex Roof centre upper trim inner	AR1CUTI	40.75		1
20	AR1TS 1m Apex Roof Trim strips	AR1TS	24.8 x 2.3		4
21	FT1 Bracket	FT1	1.57 x 1.57 x 3.94		3
22	FT3 Bracket	FT3	1.57 x 3.15 x 4.17		4
23	40x40 Plastic End Cap	EC40	1.6 x 1.6		6

FIXINGS

Fittings	Bolt set M10			T25	T38		BTANCM12100
	M10 x 60mm	Nut	Washer	1" Tech screw	1.5" Tech screw	Black Caps	M10/12 x 100 mm Concrete Bolt
Pack A+B	33	33	66	136	40	66	11
Image							

Tools required:



Drill/Screwdriver



17mm Wrench

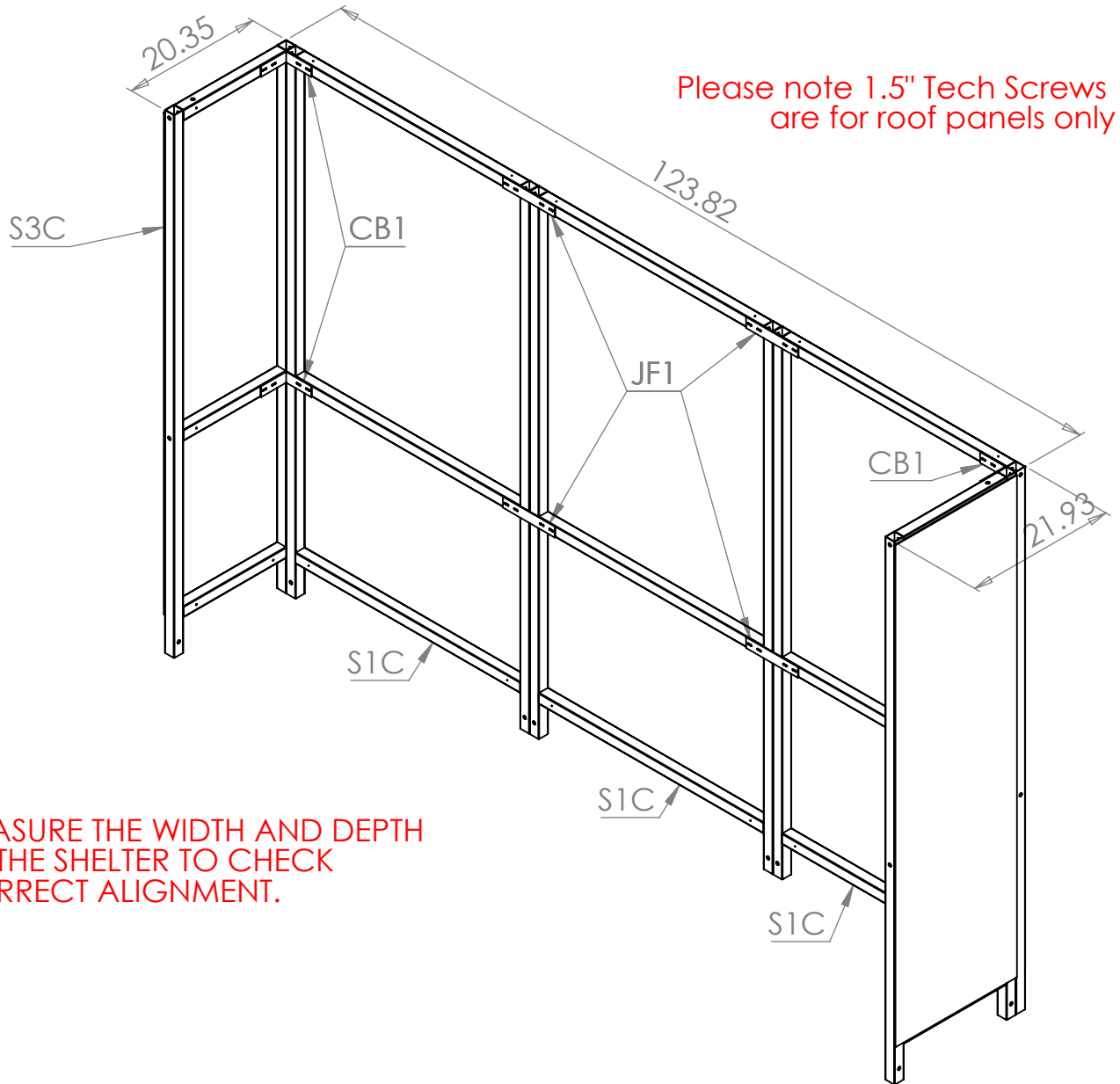


Mallet



T25 Torx bit

Step 1 Assemble **S1C** and **S3C** frames to make up the main structure using **CB1** brackets for the corners and **JF1** brackets for the straight joints.

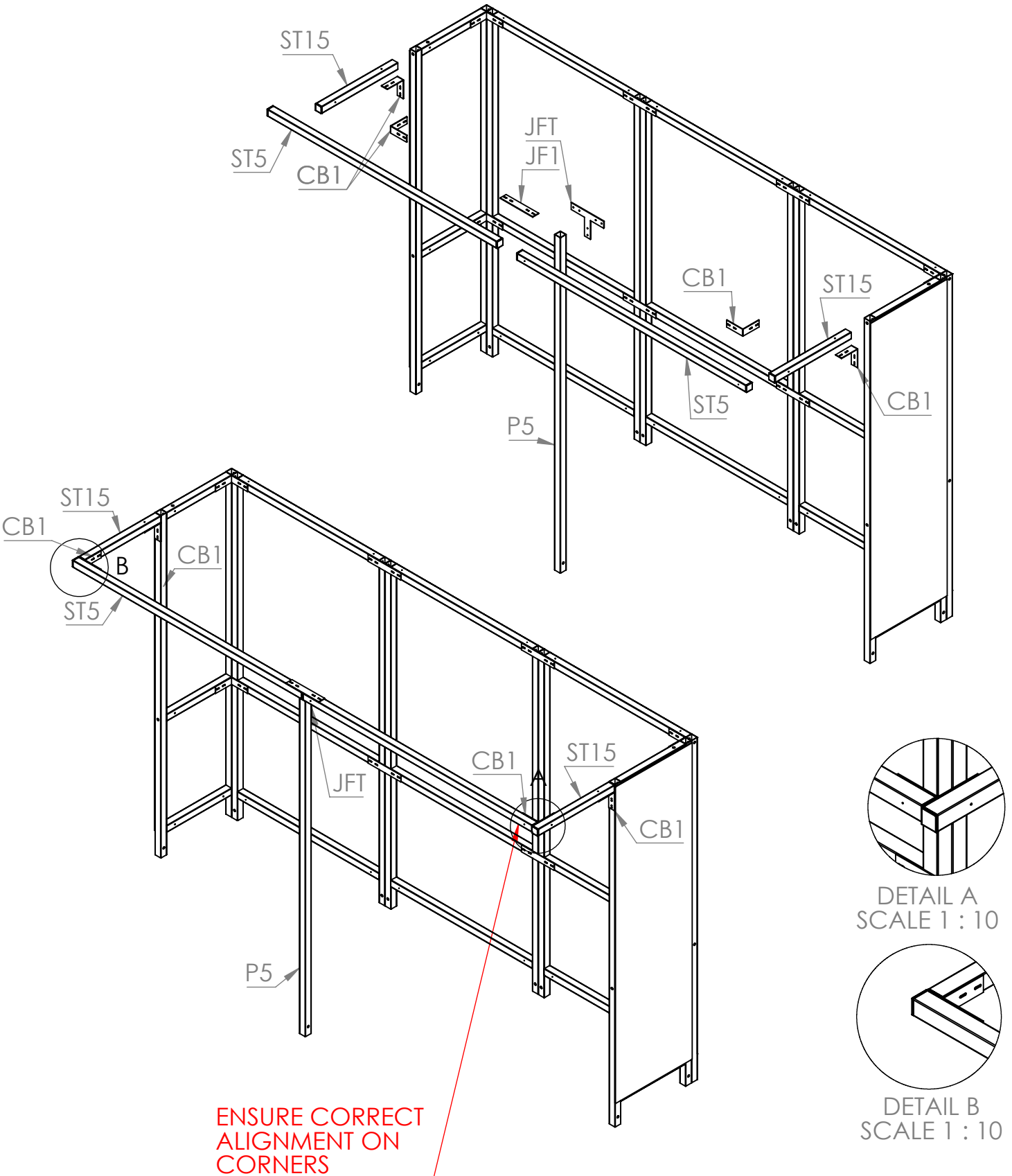


MEASURE THE WIDTH AND DEPTH OF THE SHELTER TO CHECK CORRECT ALIGNMENT.

ENSURE CORRECT ALIGNMENT ON CORNERS

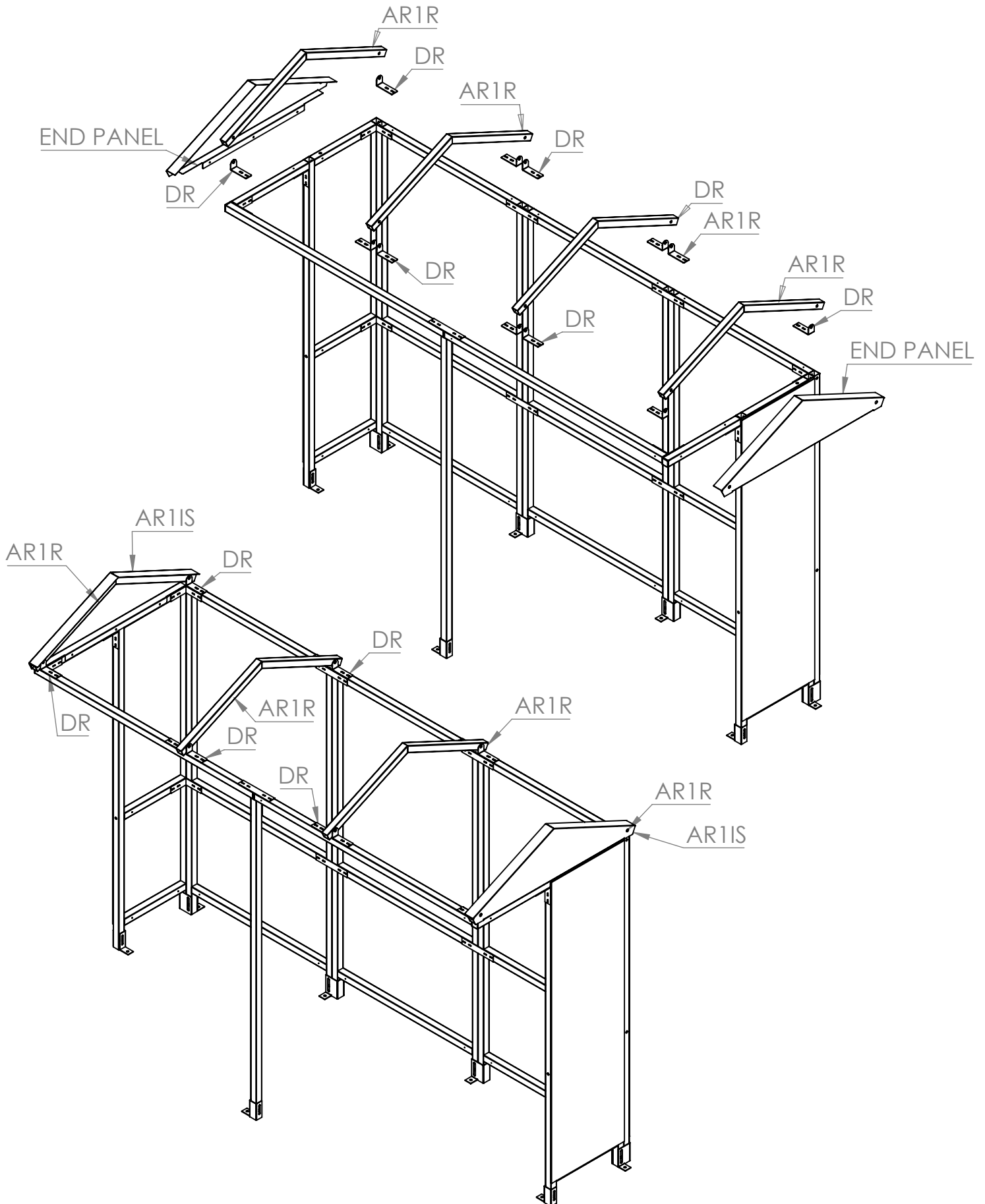


Step 2 Attach **ST15** Tie bars to **SC3** frames using **CB1** Brackets. Fix the **ST5** Tie bars to the **ST15** bars using **CB1** Brackets and attach to the **P5** Post using the **JFT** Plate. Fix a **JF1** Bracket to the top of the two **ST5** Bars.



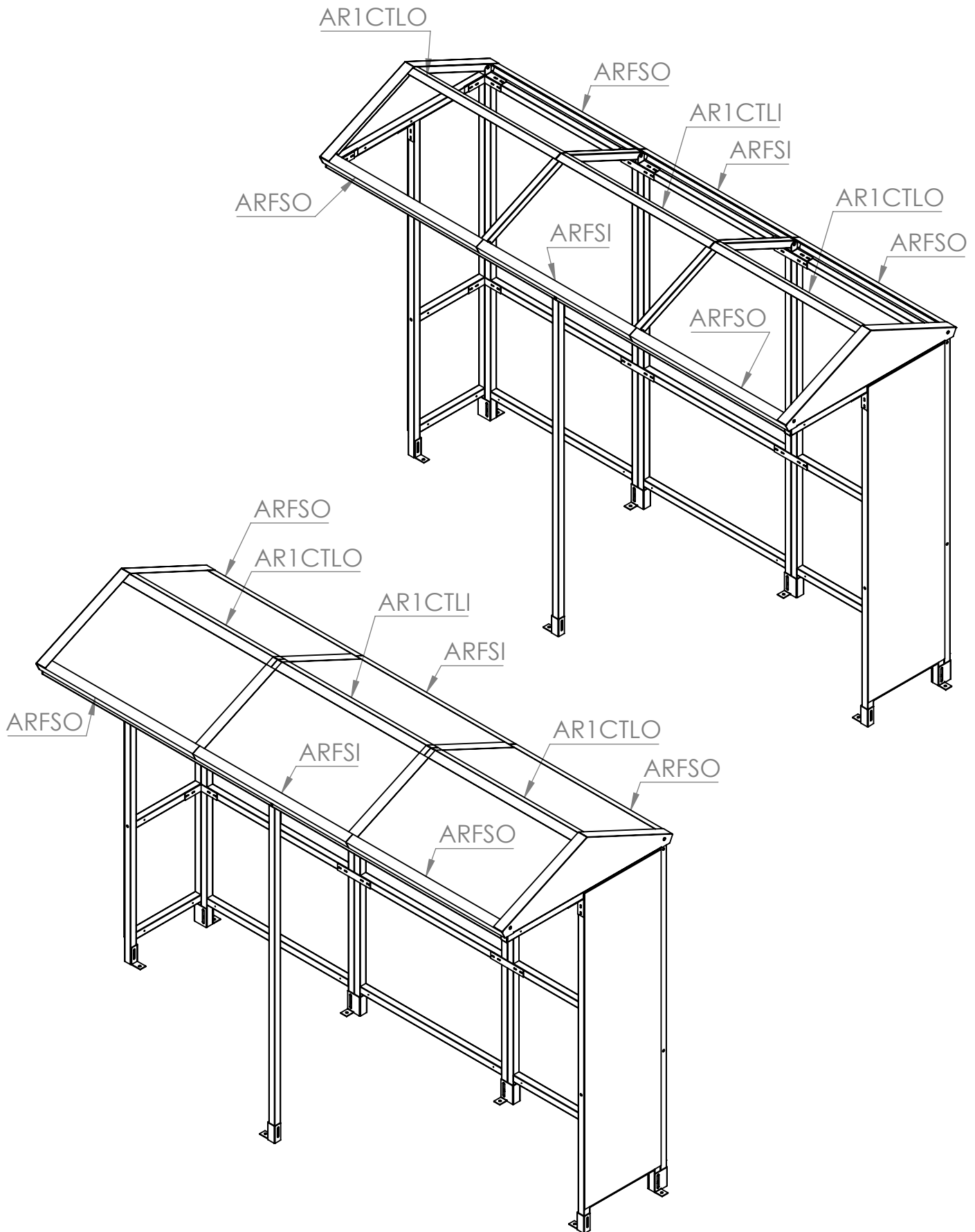
Step 3

Attach **AR1R** rafters using **DR** brackets. Secure the **AR1IS** End Panels to **S1C** frames using tec screws. The end rafters need to be placed in position at the same time as the **AR1IS** End Panels.



Step 4

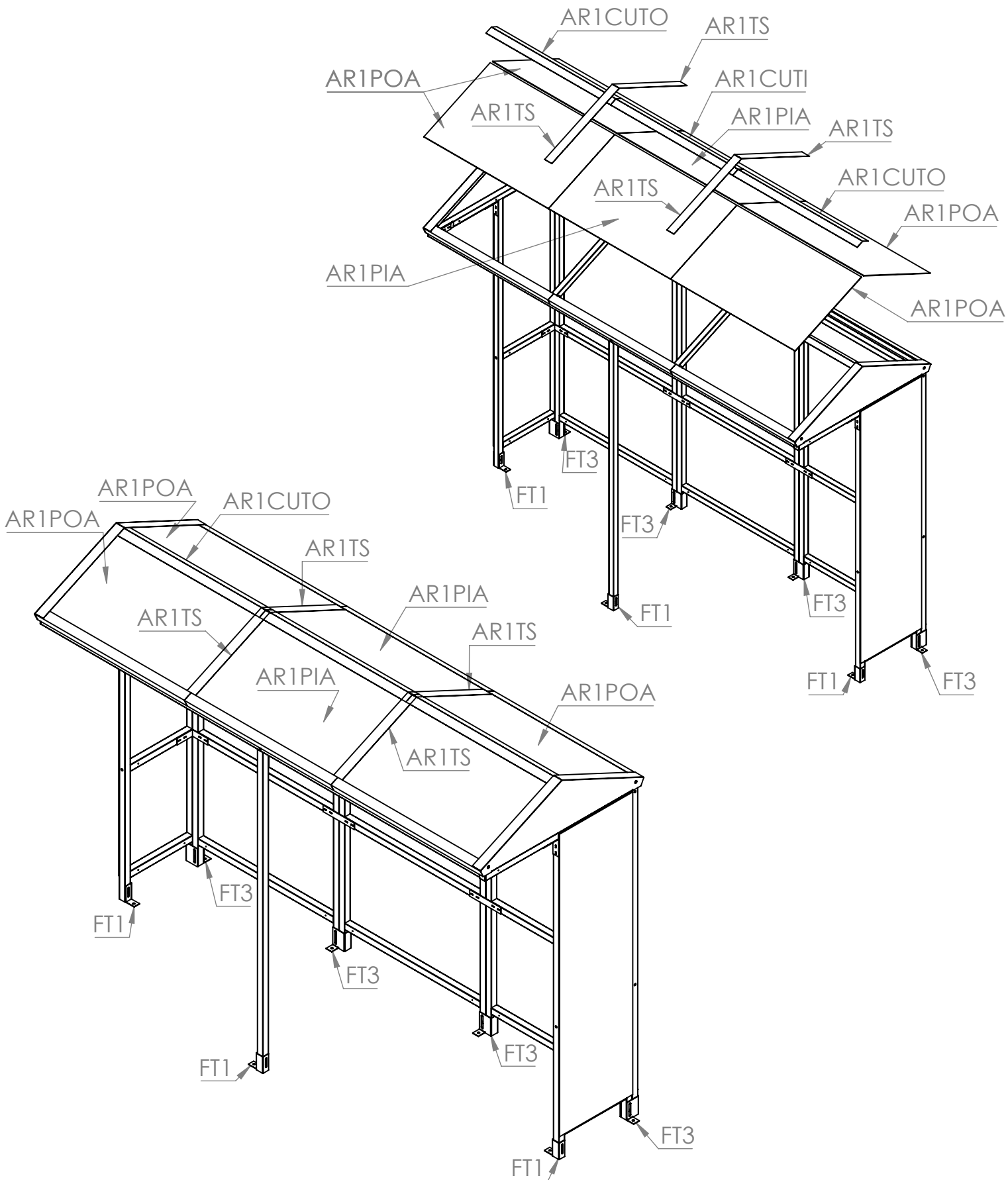
Attach the **AR1CTLO** and the **AR1CTLI** to the top of the rafters with the **AR1CTLO** on the outside and the **AR1CTLI** on the inside. The **ARFSO** and **ARFSI** parts are to be attached to the lower part of the rafters as shown below.



Step 5

Attach the **AR1POA** and **AR1PIA** roof panels to the top of the rafters. Cap off the top using **AR1CUTO** and **AR1CUTI** trim as shown. Use the **AR1TS** strips to cover the gaps between the panels.

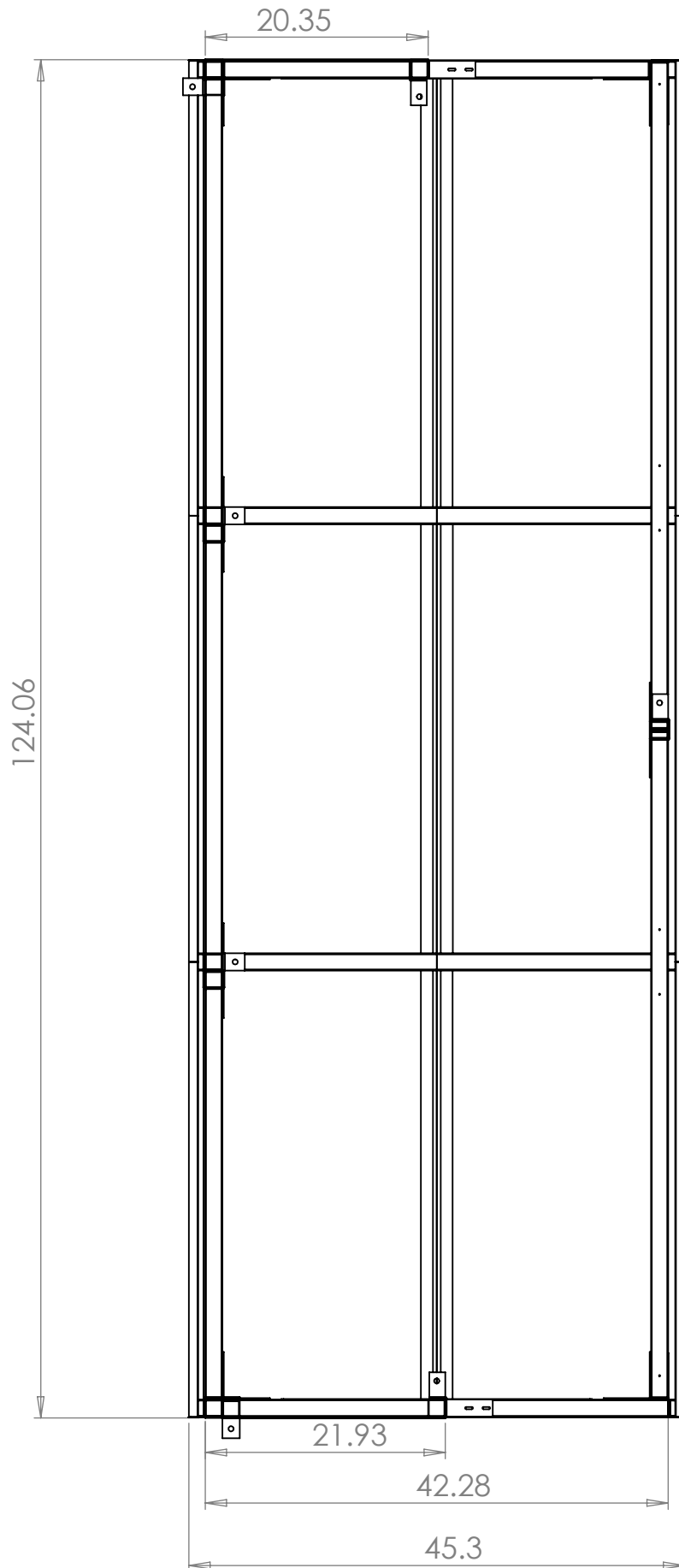
Once the shelter is in the final position and square, it can be secured to the ground using the **FT3** and **FT1** brackets.



NOTES:

PLAN VIEW

OVERALL DIMENSIONS AND GROUND FIXING POSITIONS
Suggested size for concrete base: 8" oversized on all 4 sides.



THANK YOU FOR PURCHASING THIS PRODUCT

MAINTENANCE:

To ensure your products give you many years of use we recommend that you:

- Clean panels regularly with soapy water
- Ensure all fittings are tight (for example after a big storm)
- Touch up any exposed metal should it get scratched

CONTACT DETAILS:

Email : Sales@nobutts.com

Web : www.nobutts.com

Tel : 1-888-662-8887

No Butts Bin Company, Inc. 16 Birch Lane, Madison, CT 06443

All Parts and Fixings checked by:	
Print Name:	Signature: