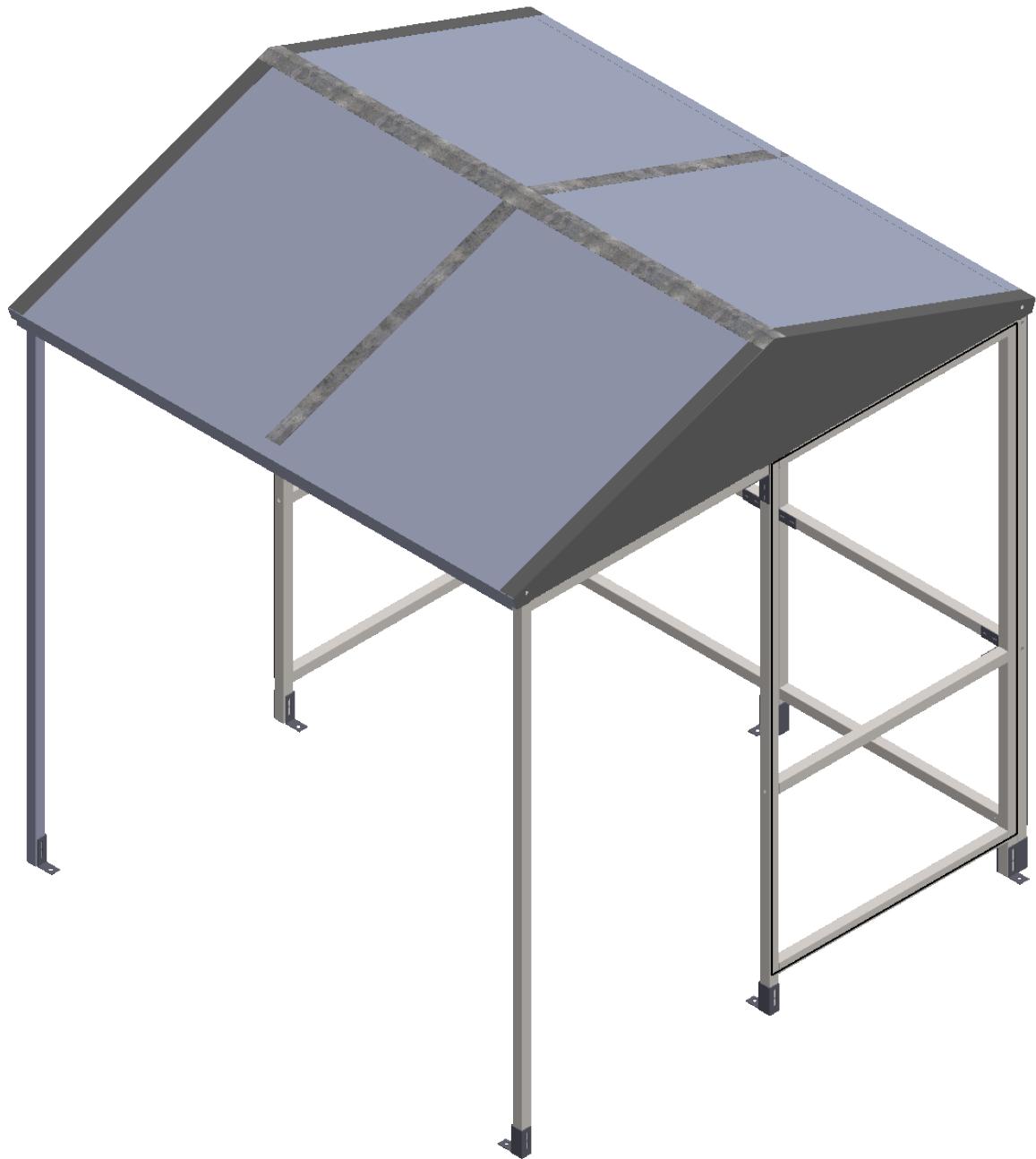


Assembly Instructions

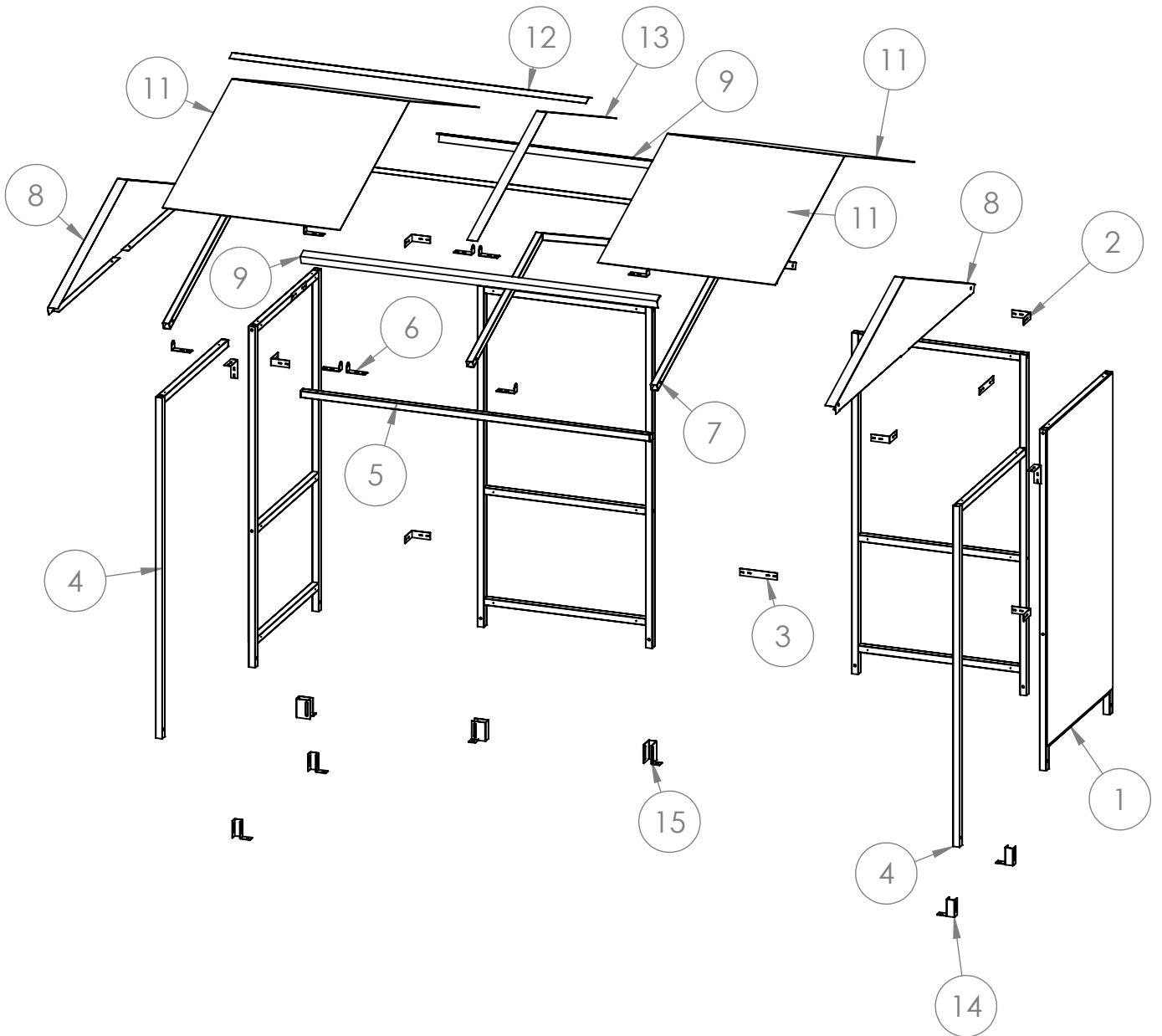


Email : sales@nobutts.com
Web : www.nobutts.com
Tel : 1-888-662-8887

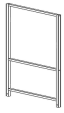
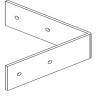
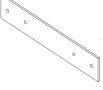
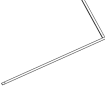

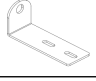







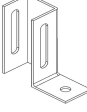
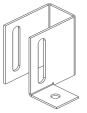
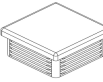
Shelter type: SR8304-F

SR8304-F-01-221021-USA


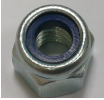
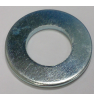




EXPLODED VIEW



PARTS LIST

ITEM NO.	PART NAME	DRG NUMBER	Size (inch)	IMAGE	QTY.
1	S1C Frame	S1C	78.74 x 40.74		4
2	CB1 Bracket	CB1	4.3 x 4.3 x 1.57		8
3	JF1 Bracket	JF1	4.33 x 1.57		4
4	Post P1	P1	78.75 x 40.5		2
5	ST3 Roof Tie	ST3	81.1 x 1.57 x 1.57		1
6	DR Bracket	DR	4.3 x 1.6 x 2		8
7	AR2R 2m Pitch Rafter	AR2R-02	85.75		3
8	AR2IS 2m Pitch Infill Panel Shallow	AR2IS-02	85		2
9	ARFS2 Apex Roof F section 2m	ARFS2	83.1 x 2 x 2		2
10	AR2CLT2 2m Apex Roof centre lower trim 2m	AR2CLT2	82.85		1
11	AR2POA AR2 Roof Panel outer ALU	AR2POA	45.5 x 41.3		4
12	AR2CUT2 2m Apex Roof centre upper trim 2m	AR2CUT2	83		1
13	AR2TS 2m Apex Roof Trim strip	AR2TS-01	45.5 x 2.3		2
14	FT1 Bracket	FT1	1.57 x 1.57 x 3.94		4
15	FT3 Bracket	FT3	1.57 x 3.15 x 4.17		3
16	40x40 Plastic End Cap	EC40	1.6 x 1.6		4

FIXINGS

Fittings	Bolt set M10			T25	T38		BTANCM12100
	M10 x 60mm	Nut	Washer	1" Tech screw	1.5" Tech screw	Black Caps	M10/12 x 100 mm Concrete Bolt
Pack A+B	33	33	66	136	40	66	11
Image							

Tools required:



Drill/Screwdriver



17mm Wrench



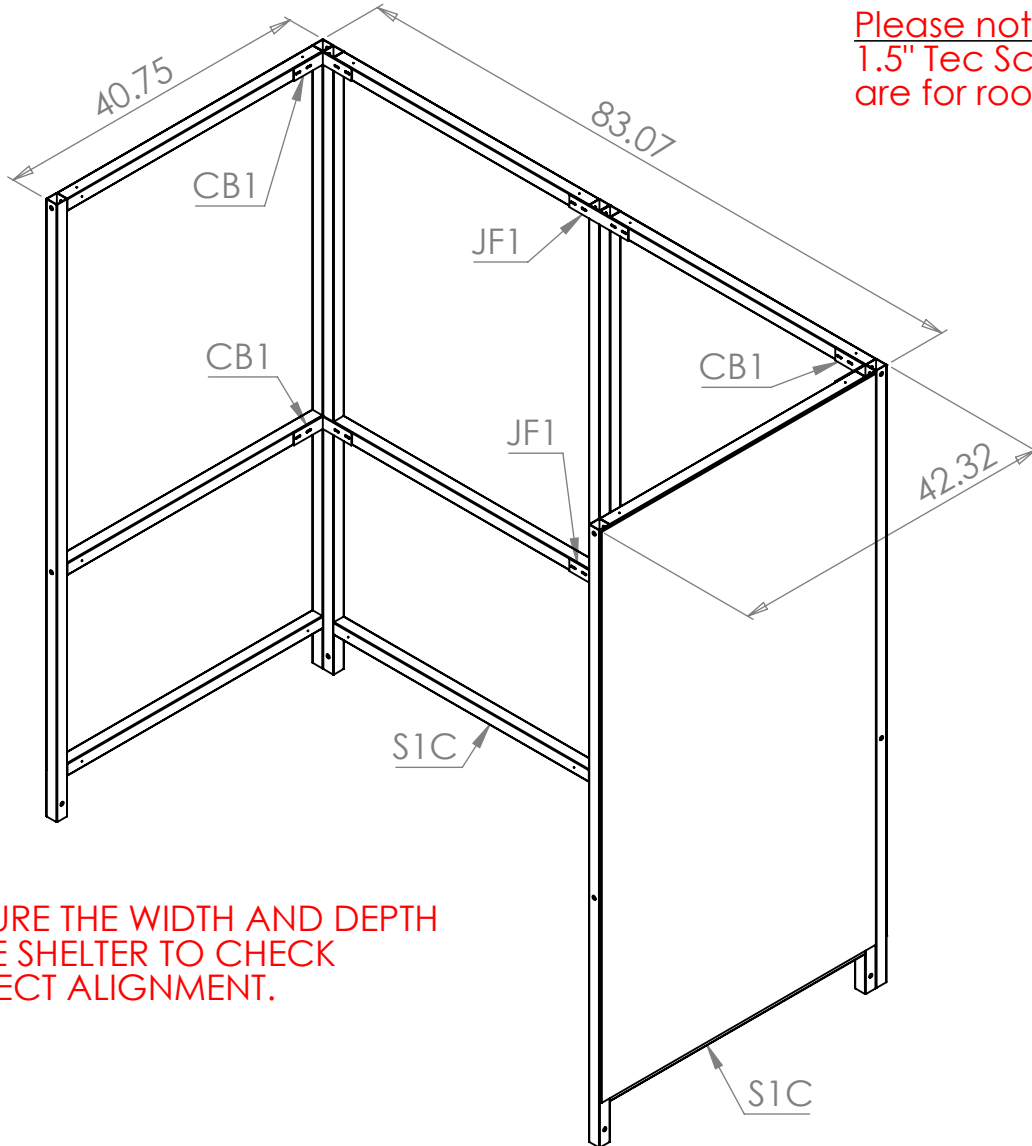
Mallet



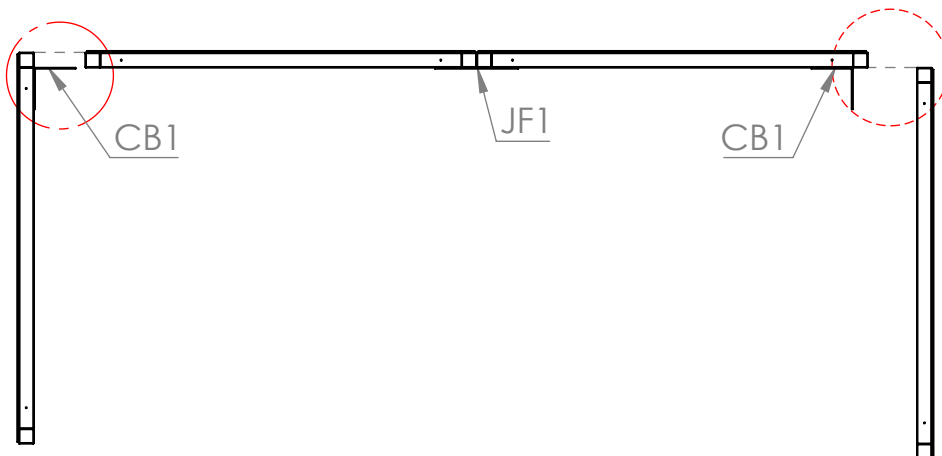
T25 Torx bit

Step 1 Assemble **S1C** frames to make up the main structure using **CB1** brackets for the corners and **JF1** brackets for the straight joints.

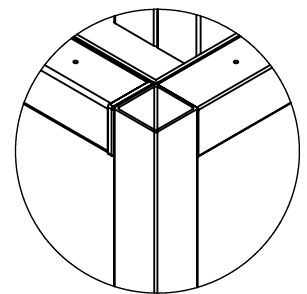
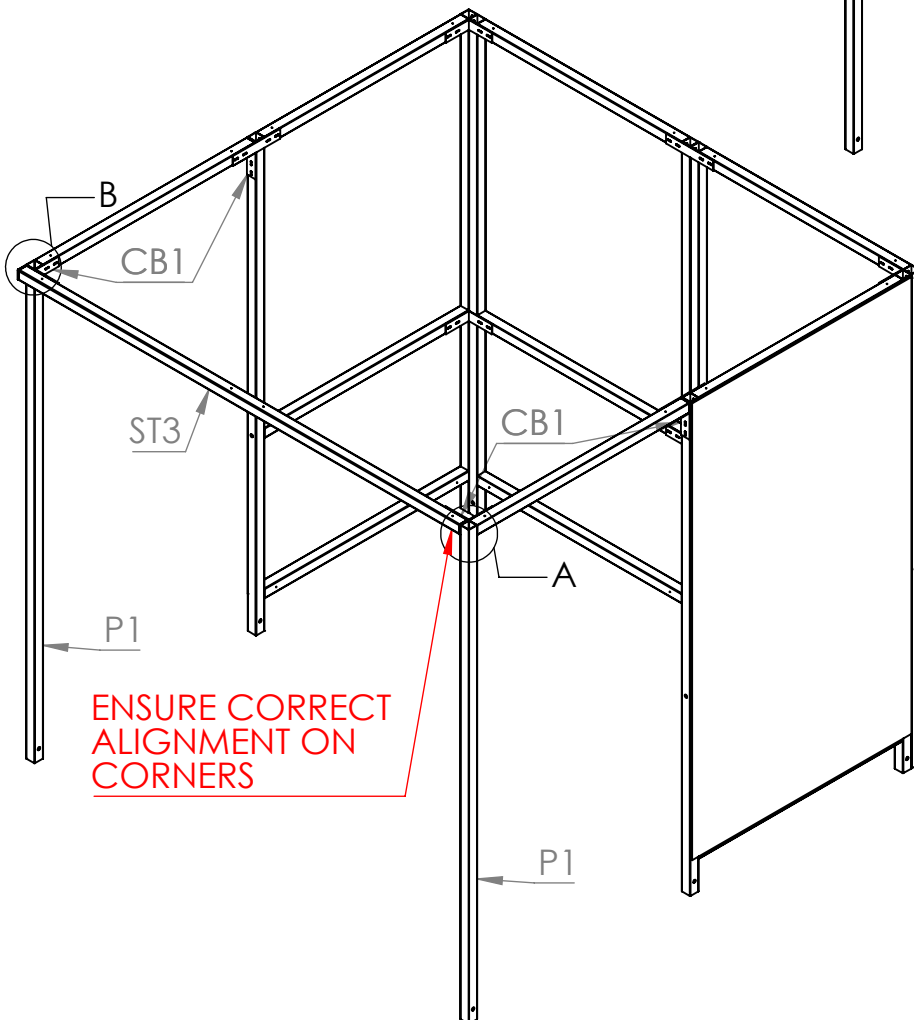
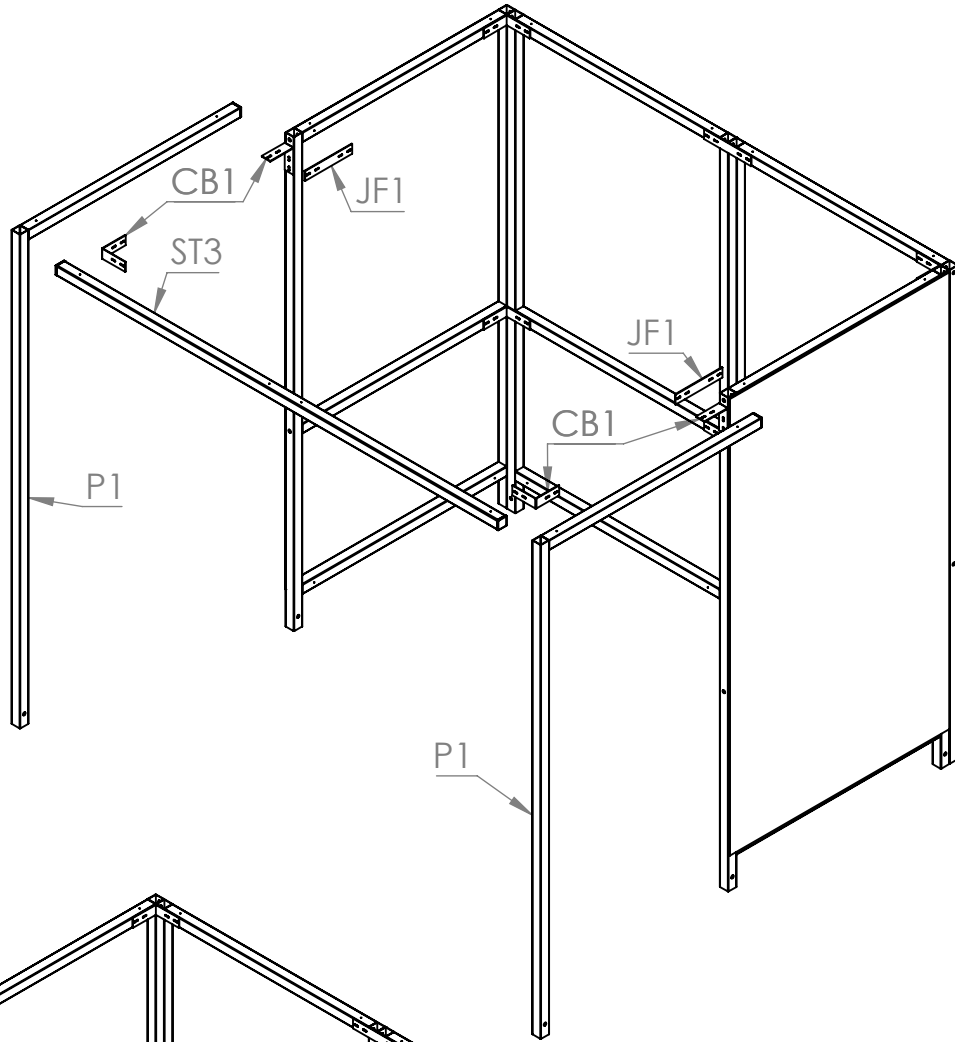
Please note:
1.5" Tec Screws
are for roof panels only



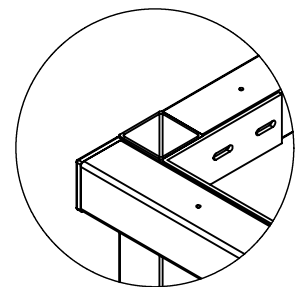
MEASURE THE WIDTH AND DEPTH
OF THE SHELTER TO CHECK
CORRECT ALIGNMENT.



Step 2 Attach **P1** Posts to **S1C** frames using **JF1** Brackets. Fix the **ST3** Tie Bar to the **P1** Posts as shown below using **CB1** Brackets.



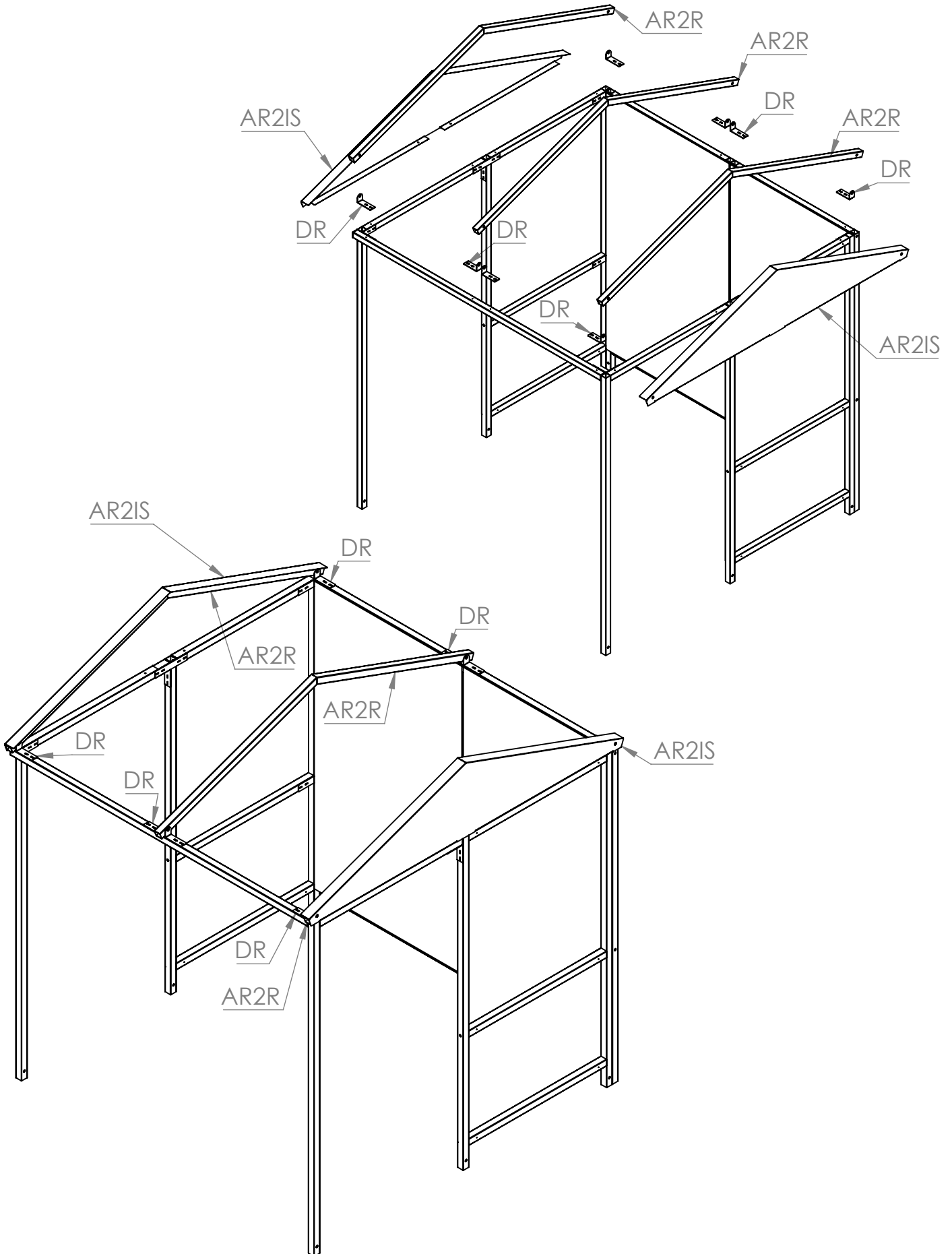
DETAIL A
SCALE 1 : 5



DETAIL B
SCALE 1 : 5

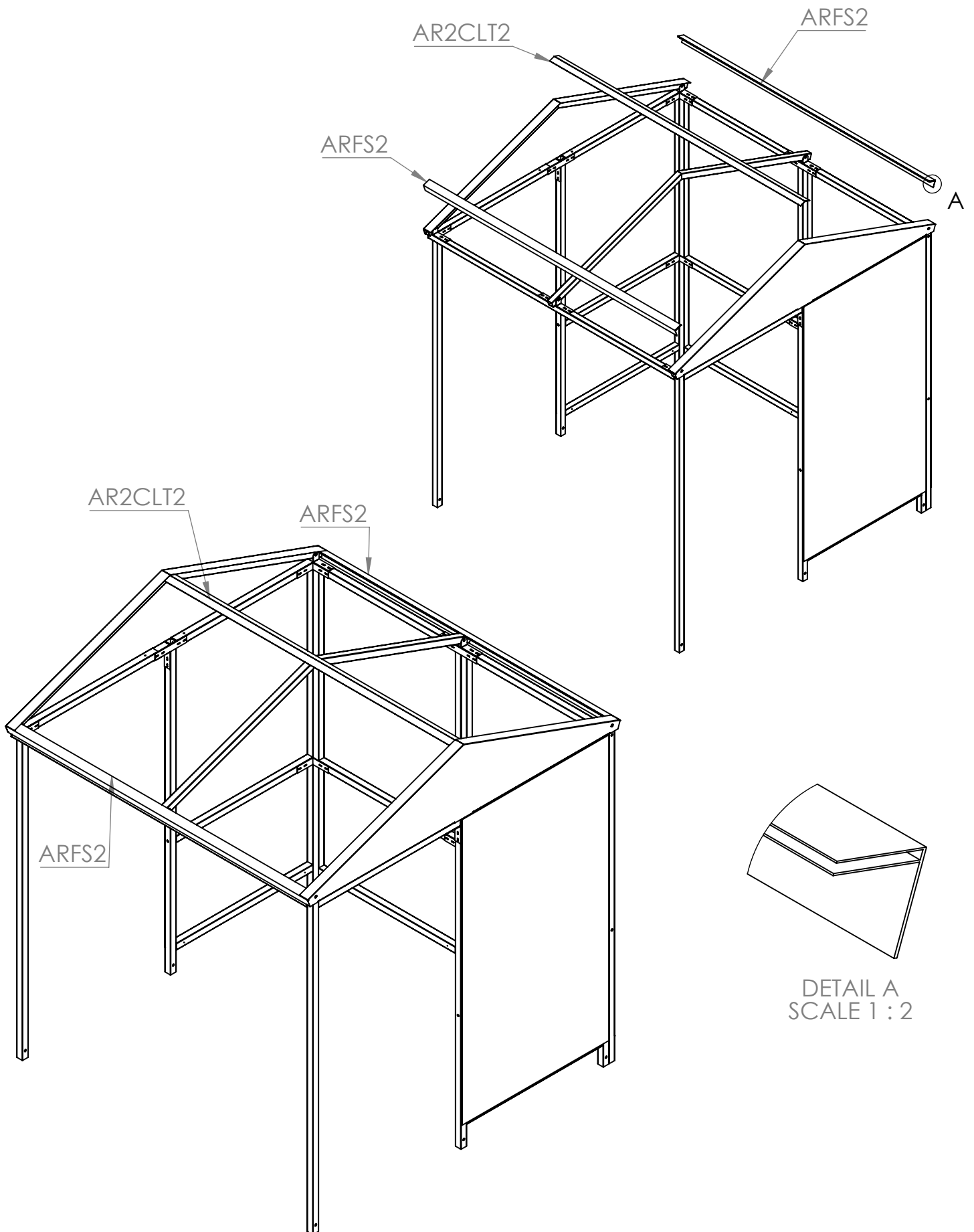
Step 3

Attach **AR2R** rafters using **DR** brackets. Secure the **AR2IS** to **S1C** frames using tech screws. The end rafters should be placed in position at the same time as the **AR2IS**.



Step 4

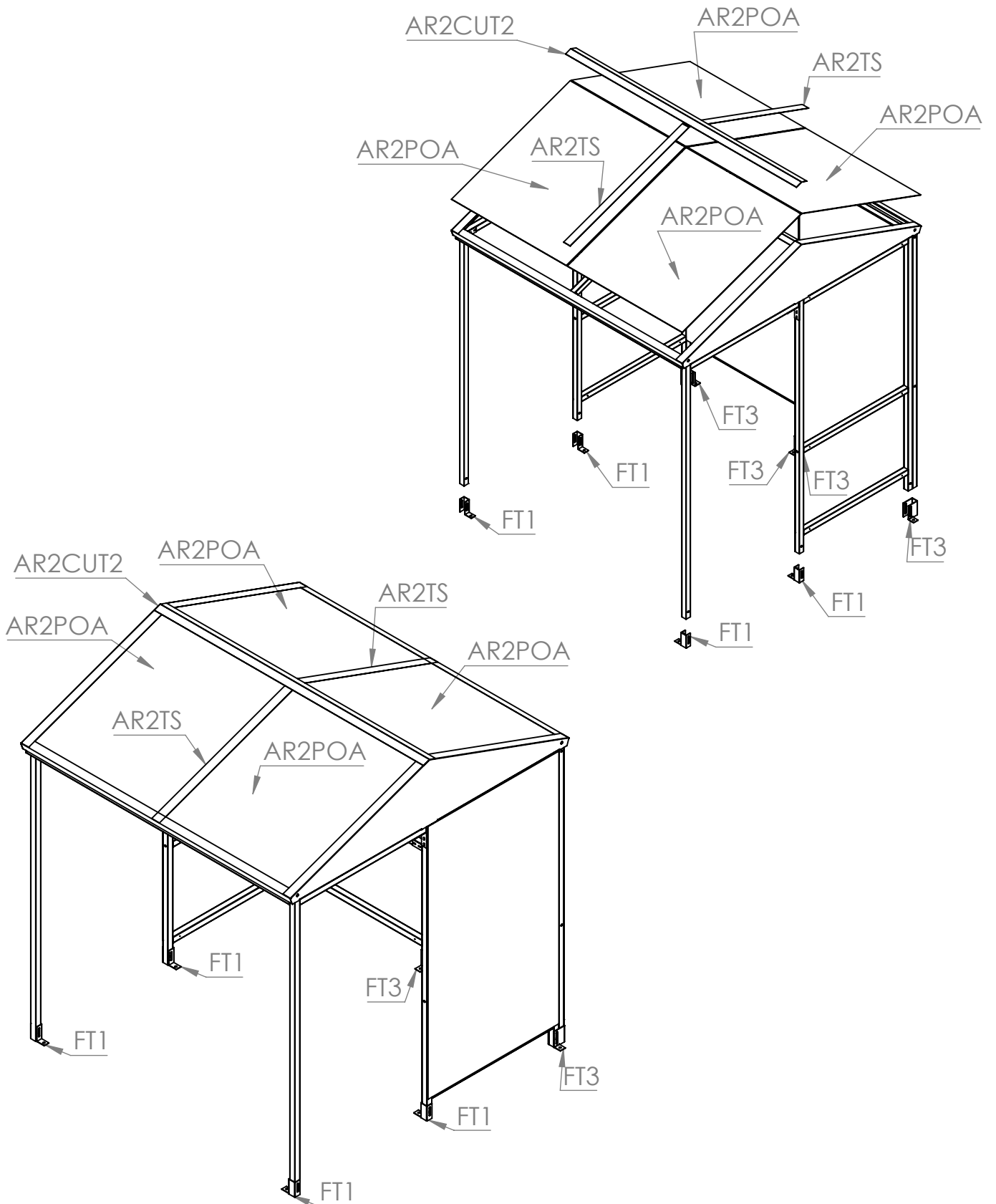
Attach the **AR2CLT2** to the top of the rafters. The **ARFS2** parts are to be attached to the lower part of the rafters as shown below.



Step 5

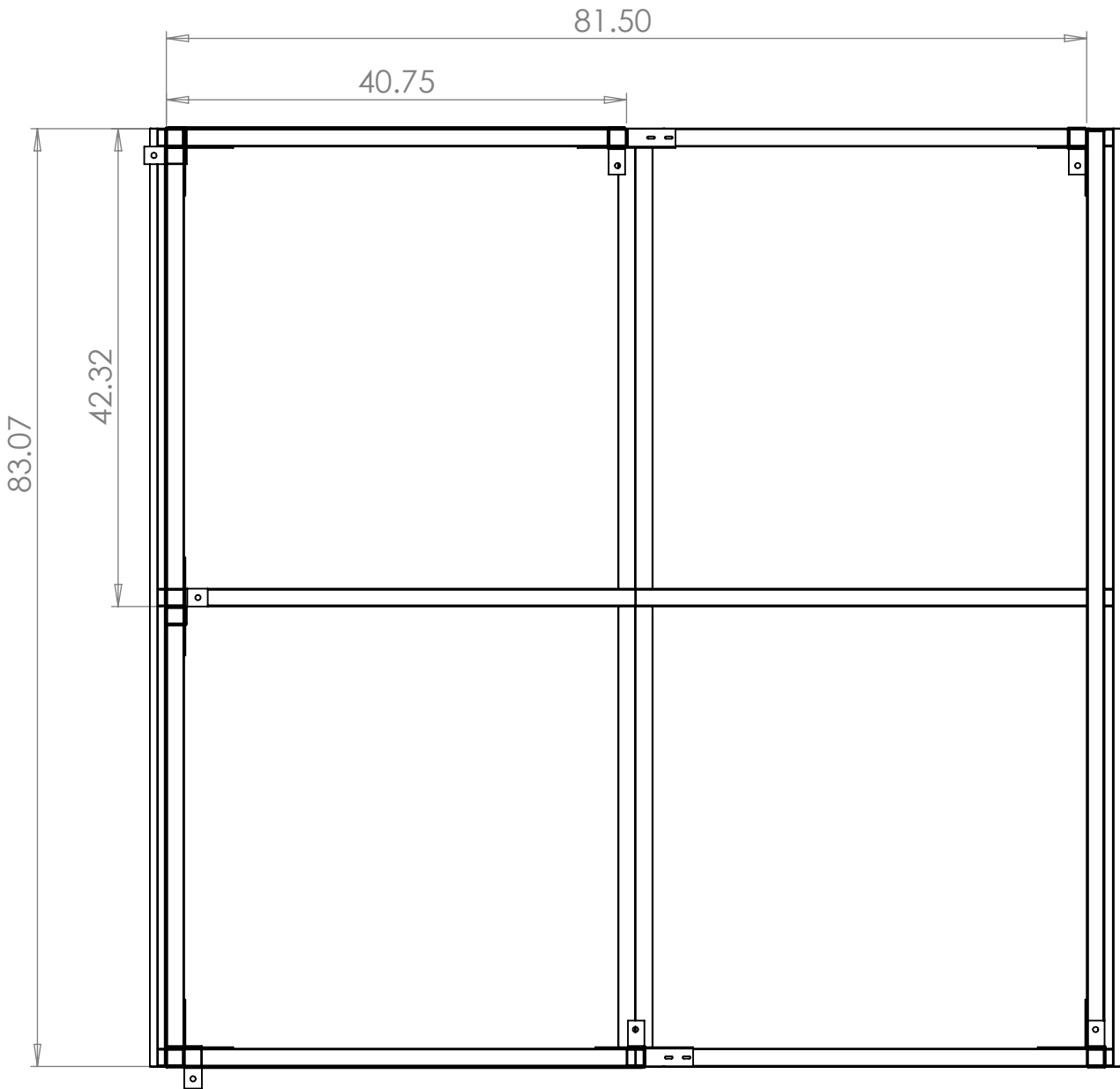
Attach the **AR2POA** roof panels. Cap off the top using the **AR2CUT2** trim as shown. Use the **AR2TS** strips to cover the gaps between the panels.

Once the shelter is in its final position and square, it can be secured to the ground with the **FT3** and **FT1** brackets using the concrete bolts.



PLAN VIEW

OVERALL DIMENSIONS AND GROUND FIXING POSITIONS
Suggested size for concrete base: 8" oversized on all 4 sides.



THANK YOU FOR PURCHASING THIS PRODUCT

MAINTENANCE:

To ensure your products give you many years of use we recommend that you:

- Clean panels regularly with soapy water
- Ensure all fittings are tight (for example after a big storm)
- Touch up any exposed metal should it get scratched

CONTACT DETAILS:

Email : Sales@nobutts.com

Web : www.nobutts.com

Tel : 1-888-662-8887

No Butts Bin Company, Inc. 16 Birch Lane, Madison, CT 06443

All Parts and Fixings checked by:	
Print Name:	Signature: