

Assembly Instructions



No Butts Bin Co.
Better Ash & Trash Solutions
Est. 1991

Email : Sales@nobutts.com

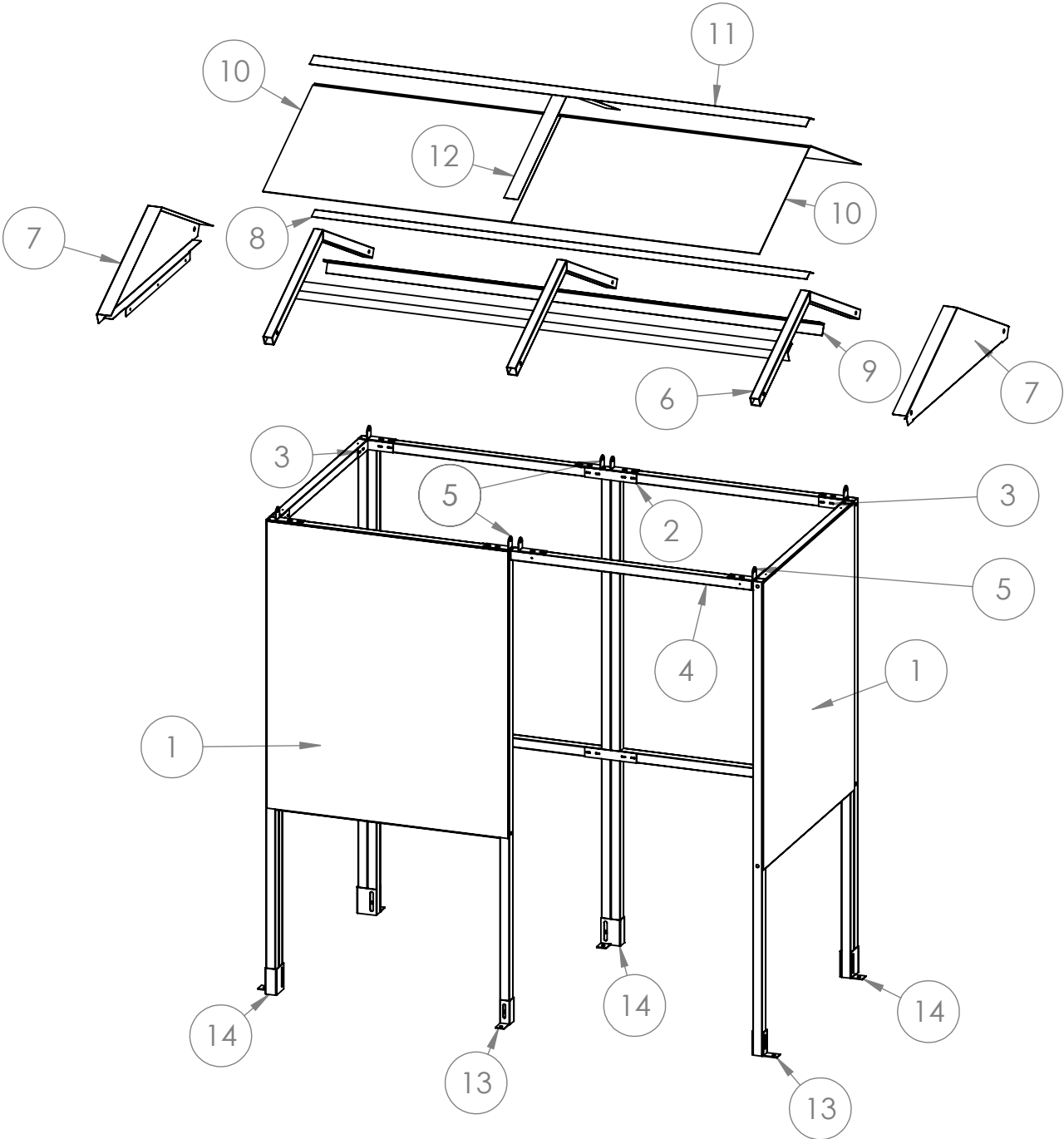
Web : www.nobutts.com

Tel : 1-888-662-8887

Shelter type: SR8059

SR8059-02-04072022-USA

EXPLODED VIEW



Tools required:



Drill/Screwdriver



17mm Wrench

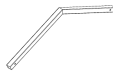
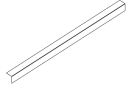



Mallet


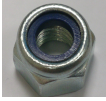
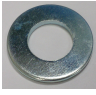






T25 Torx bit

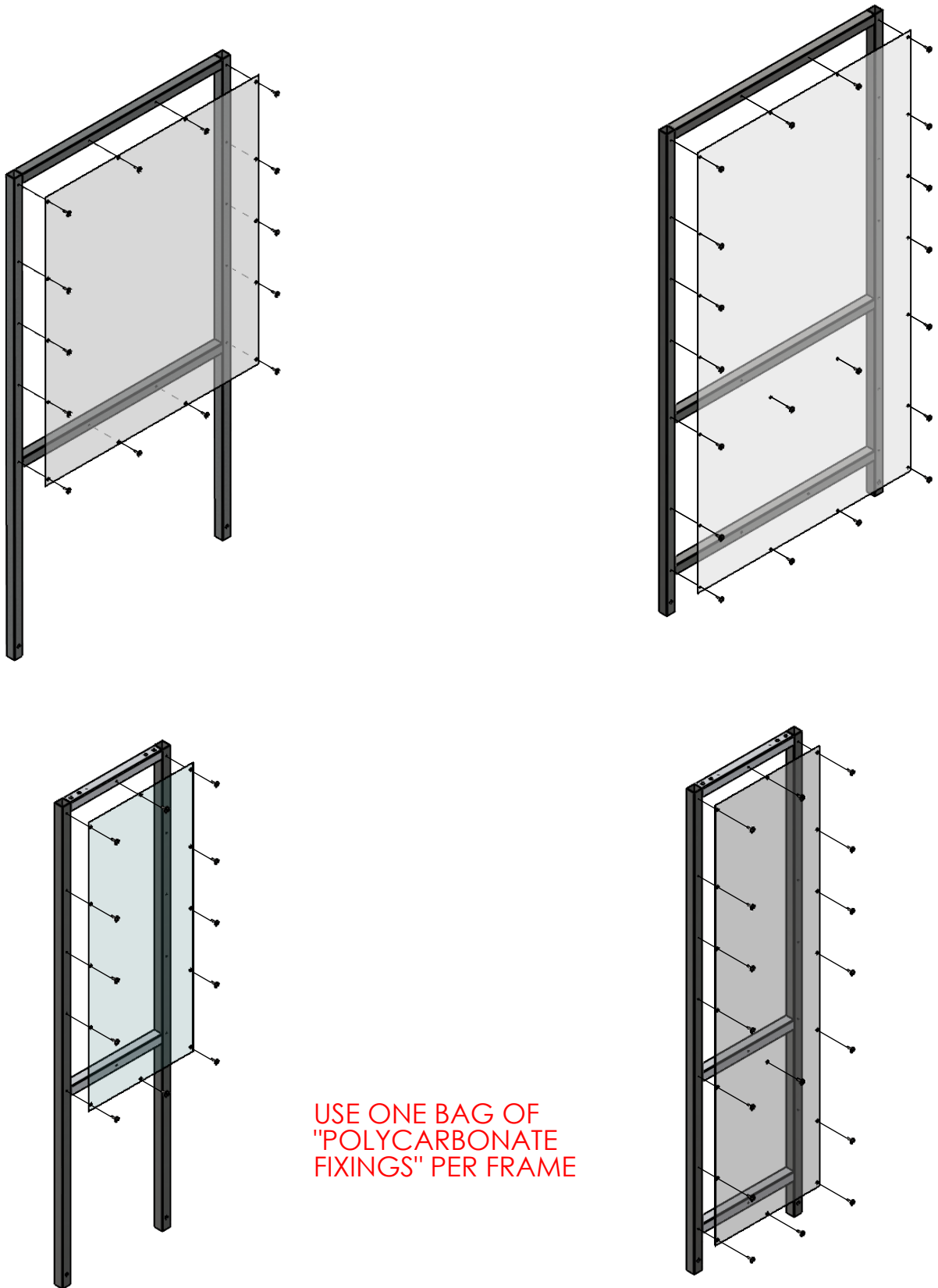
PARTS LIST

ITEM NO.	PART NAME	DRG NUMBER	Size (inch)	IMAGE	QTY.
1	S1 Frame	S1	78.74 x 40.74		5
2	JF1 Bracket	JF1	4.33 x 1.57		3
3	CB1 Bracket	CB1	4.3 x 4.3 x 1.57		7
4	ST1 Tie Bar	ST1	40.4		1
5	DR Bracket	DR	4.3 x 1.6 x 2		8
6	AR1R 1m Pitch Rafter	AR1R	45 x 11.8 OA		3
7	AR1IS 1m Pitch Infill Panel Shallow	AR1IS	45.2 x 13.5		2
8	AR1CLT2 1m Apex Roof centre lower trim 2m	AR1CLT2-02	82.9 x 3.1		1
9	ARFS2 Apex Roof F section 2m	ARFS2	83.1 x 2 x 2		2
10	AR1POA Roof Panel outer alu	AR1POA	41.5 x 24.4		4
11	AR1CUT2 1m Apex Roof centre upper trim 2m	AR1CUT2	83.1 x 3.9		1
12	AR1TS 1m Apex Roof Trim strips	AR1TS	24.8 x 2.3		2
13	FT1 Bracket	FT1	1.57 x 1.57 x 3.94		2
14	FT3 Bracket	FT3	1.57 x 3.15 x 4.17		4
15	40x40 Plastic End Cap	EC40	1.6 x 1.6		2

FIXINGS

Fittings	Bolt set M10			T25	T38		BTANCM12100
	M10 x 60mm	Nut	Washer	1" Tech screw	1.5" mm Tech screw	M10 Black Caps	M10/12 x 100 mm Concrete Bolt
REQUIRED	12	12	24	56	78	30	6
INCLUDED (Pack A+H)	30	30	60	72	30+48	60	8
Spare	18	18	36	16	0	30	2
Image							

ATTACHING THE POLYCARBONATE PANELS



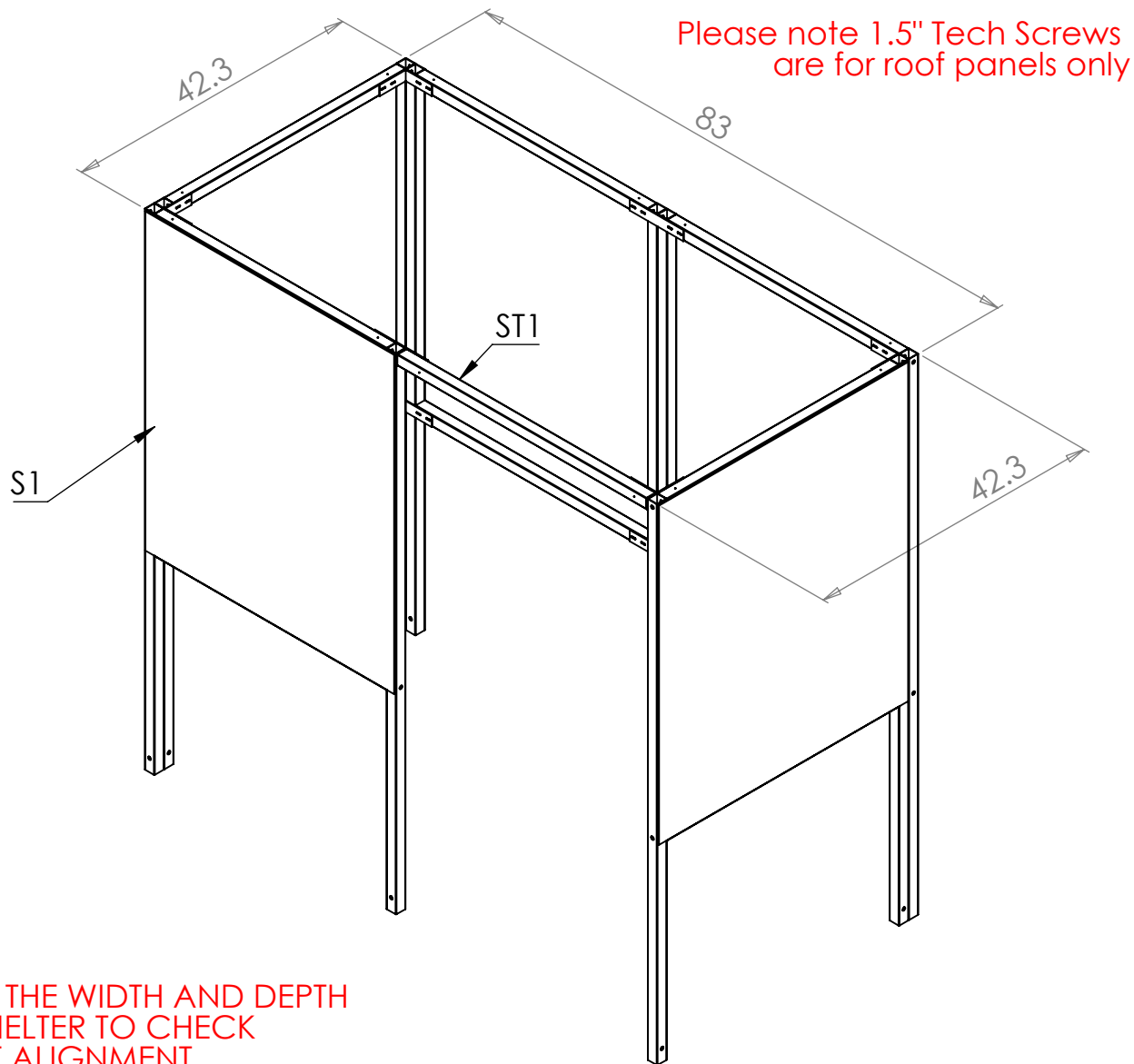
USE ONE BAG OF
"POLYCARBONATE
FIXINGS" PER FRAME

TIP:

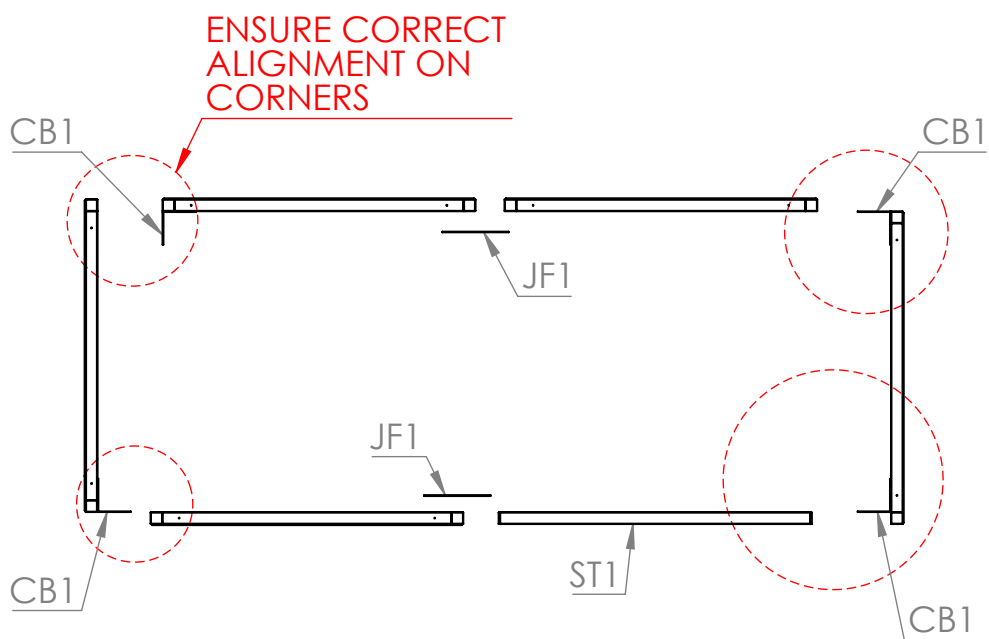
Align all the holes and loosely fit the screws before fully tightening.

**DO NOT OVER TIGHTEN SCREWS
(Lightly compress rubber on washers)**

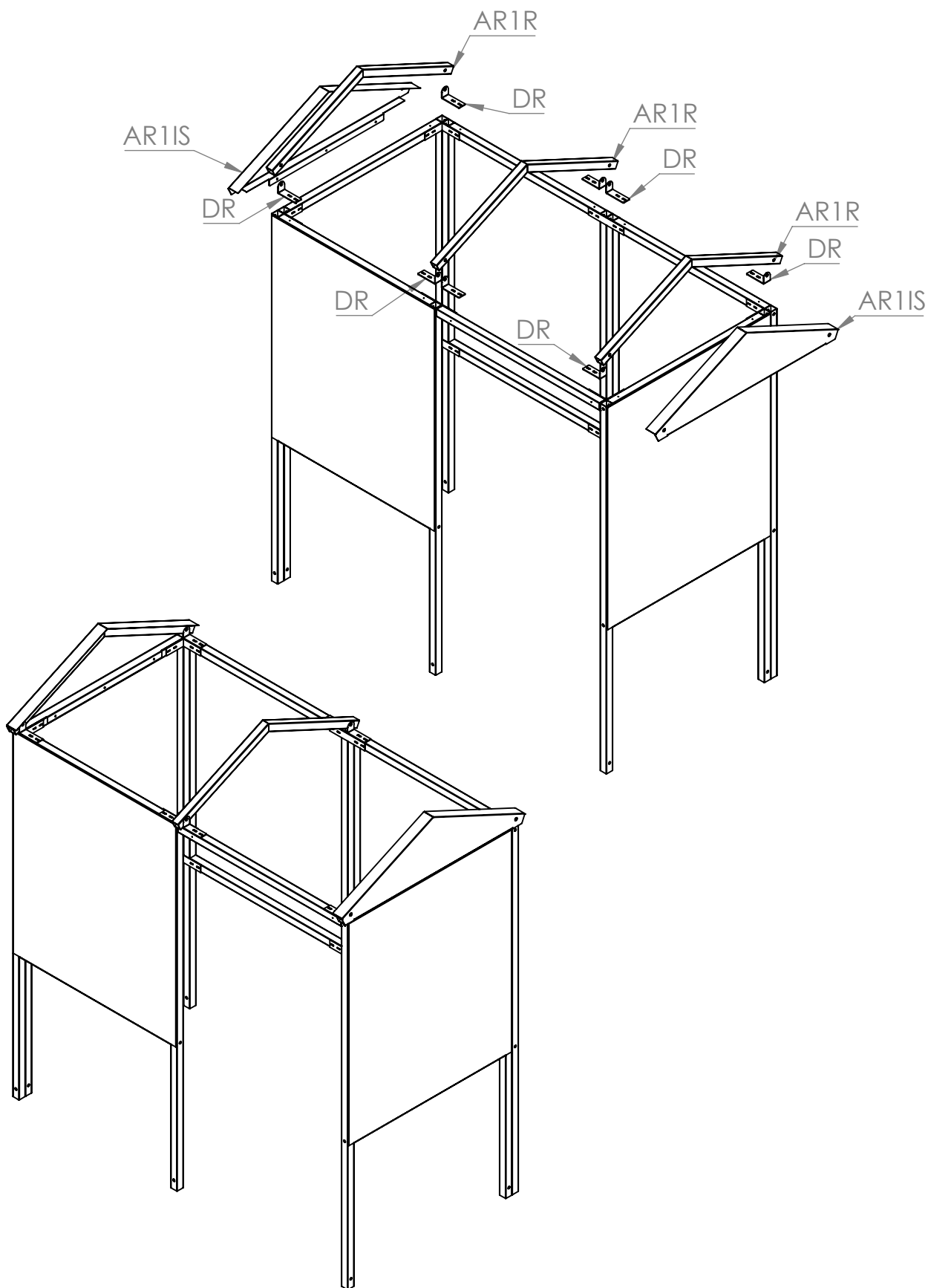
Step 1 Assemble **S1** frames to make up the main structure using **CB1** brackets for the Corners and **JF1** brackets for the straight joints. Use **JF1** and **CB1** brackets to attach the **ST1** tie bar.



MEASURE THE WIDTH AND DEPTH OF THE SHELTER TO CHECK CORRECT ALIGNMENT.

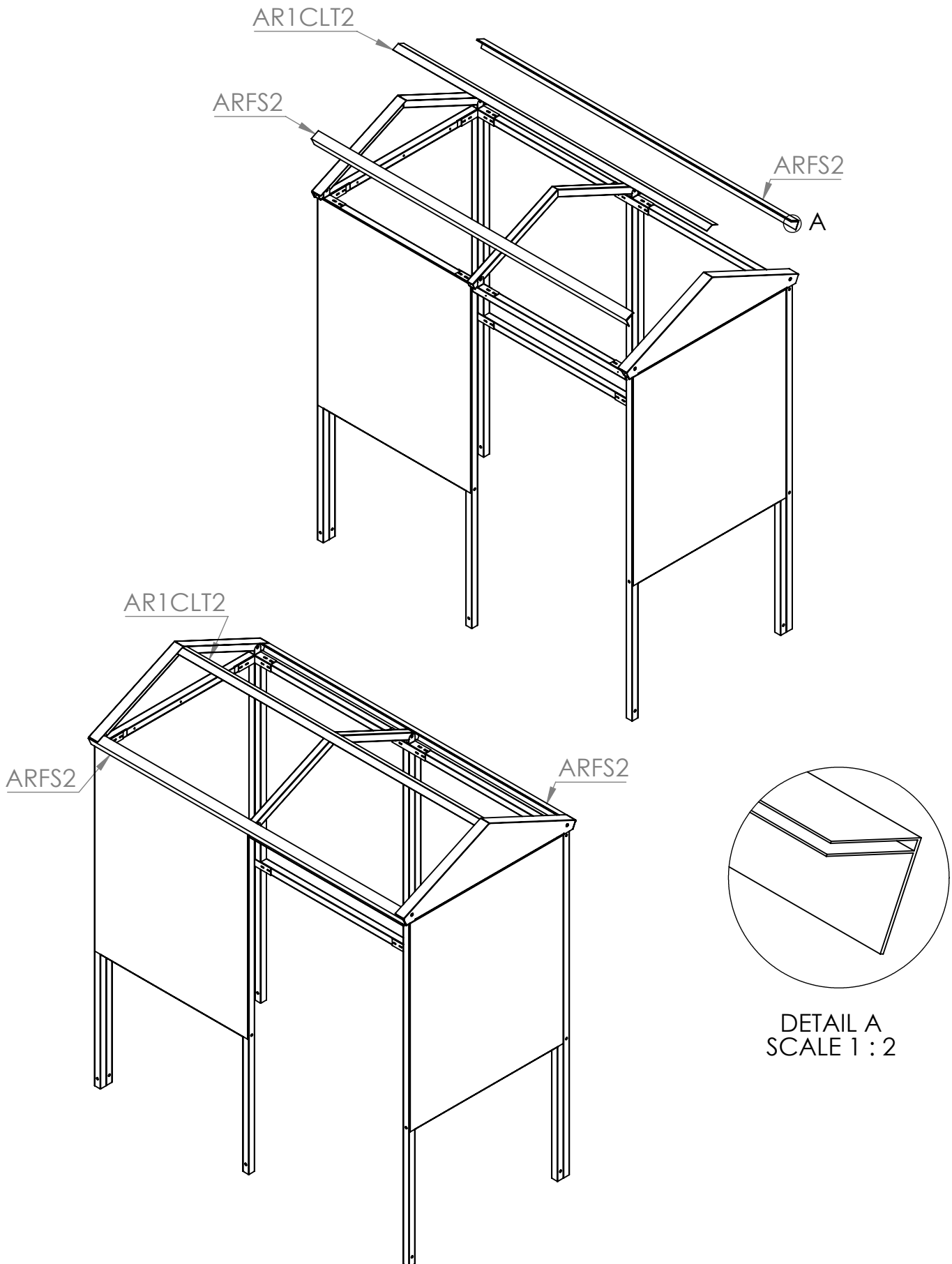


Step 2 Attach **AR1R** rafters using **DR** brackets. Secure the **AR1S END PANELS** to **S1** frames using 1" tech screws. The end rafters need to be placed in position at the same time as the **END PANELS**.



Step 3

Attach the **AR1CLT2** to the top of the rafters. The **ARFS2** parts are to be attached to the lower part of the rafters as shown below.



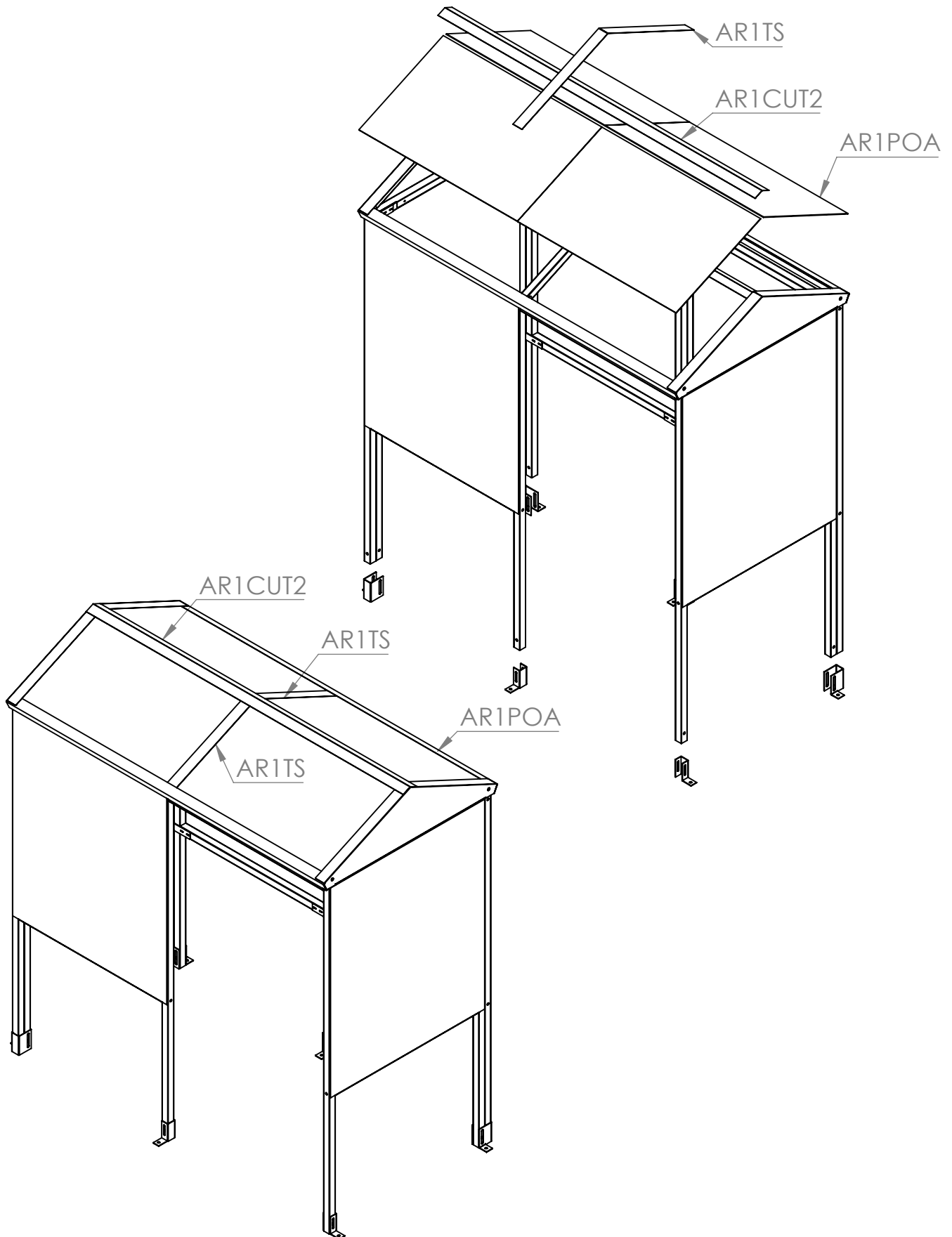
Step 4

Attach the **AR1POA** roof panels to the the rafters.

Cap off the top using **AR1CUT2** trim as shown.

Use the **AR1TS** strips to cover the gaps between the panels.

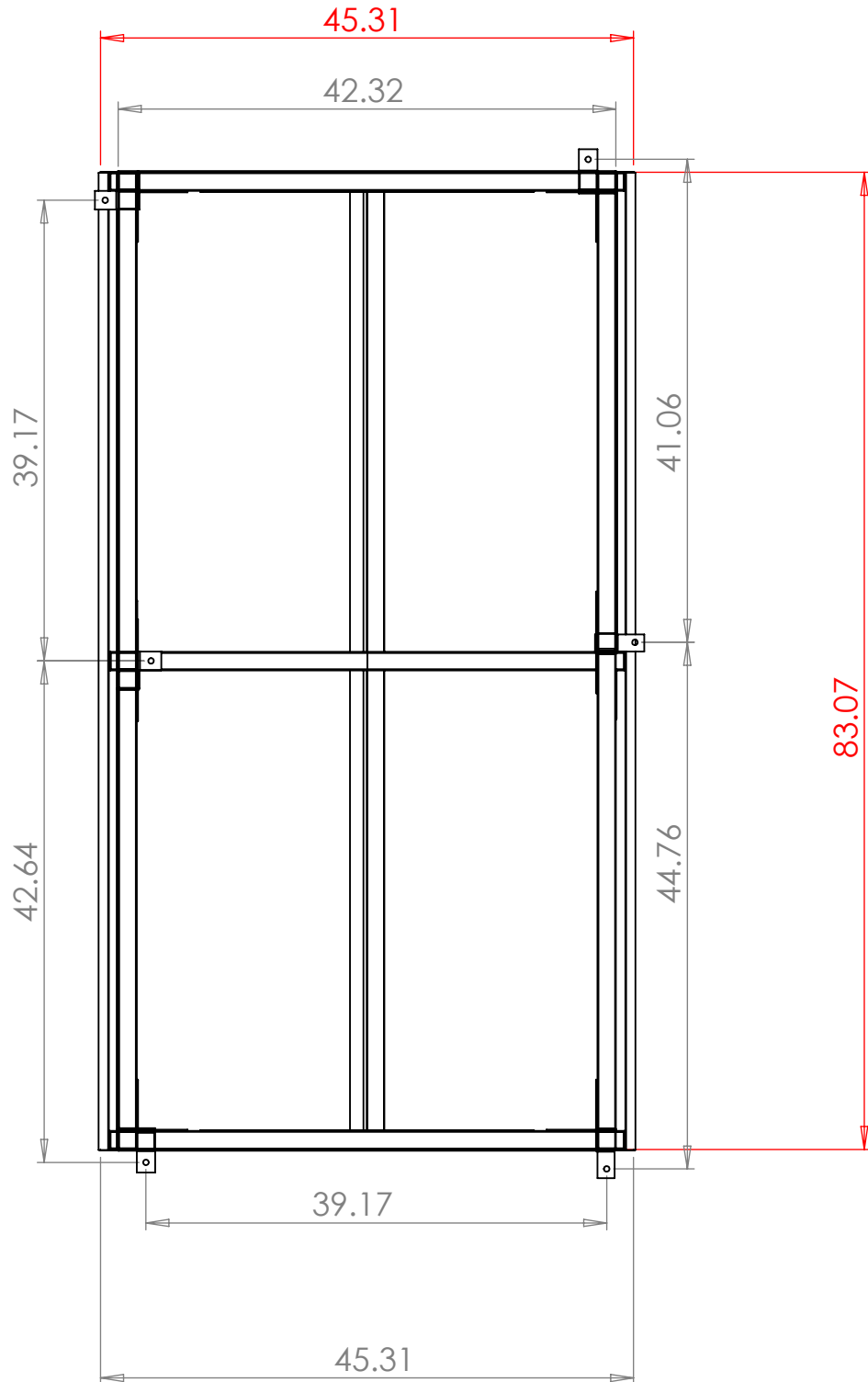
Once the shelter is in the final position and square, it can be secured to the ground using the **FT3** and **FT1** brackets and concrete bolts.



PLAN VIEW

OVERALL DIMENSIONS AND GROUND FIXING POSITIONS

Suggested size for concrete base: 8inch oversized on all 4 sides.



NOTES:

THANK YOU FOR PURCHASING THIS PRODUCT

MAINTENANCE:

To ensure your products give you many years of use we recommend that you:

- Clean panels regularly with soapy water
- Ensure all fittings are tight (for example after a big storm)
- Touch up any exposed metal should it get scratched

CONTACT DETAILS:

No Butts Bin Company, Inc.
16 Birch Lane, Madison, CT 06443

Email : Sales@nobutts.com

Web : www.nobutts.com

Tel : 1-888-662-8887

All Parts and Fixings checked by:	
Print Name:	Signature: