

Assembly Instructions



No Butts Bin Co.
Better Ash & Trash Solutions
Est. 1991

Email : Sales@nobutts.com

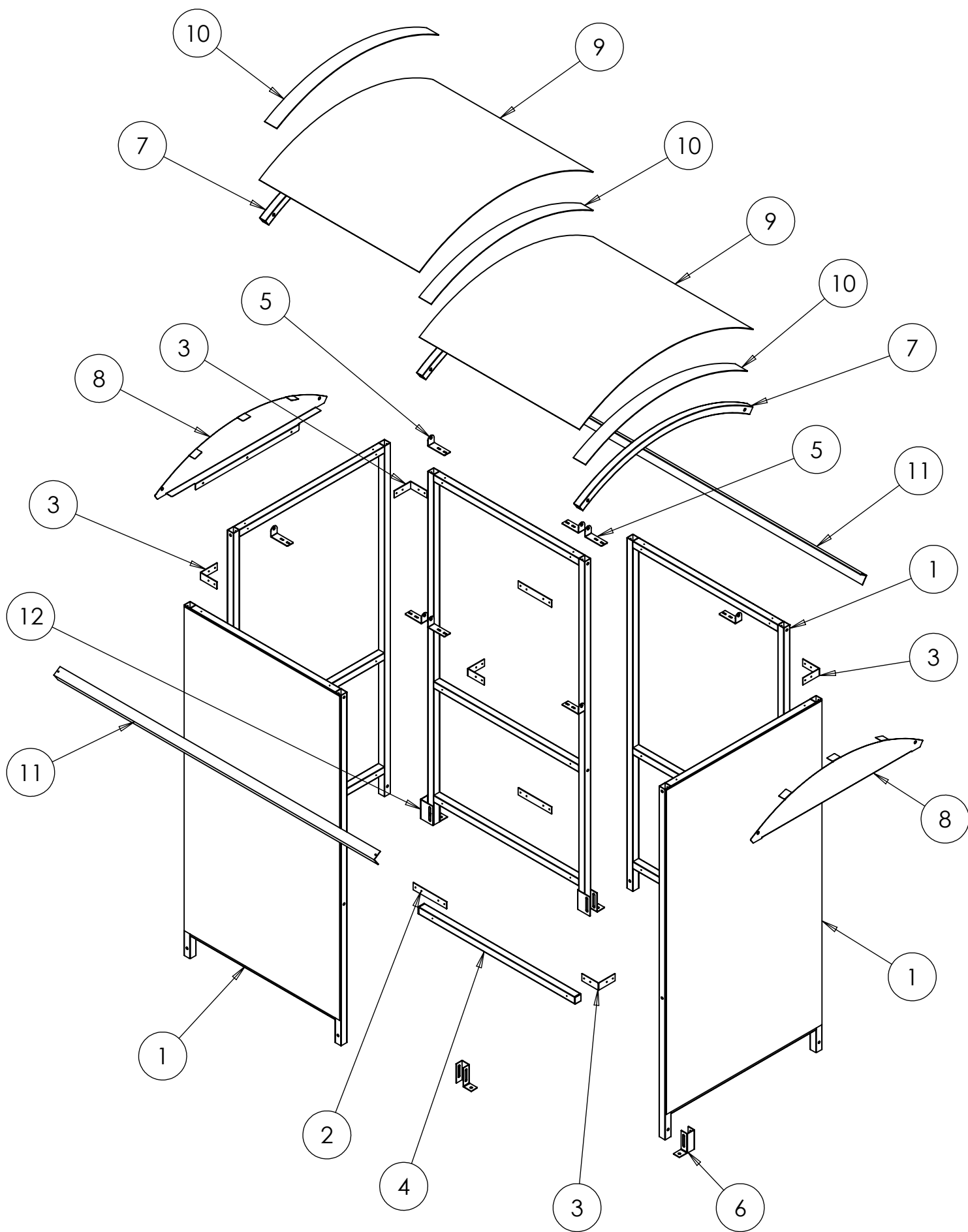
Web : www.nobutts.com

Tel : 1-888-662-8887


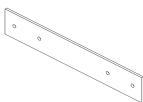
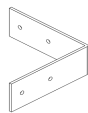
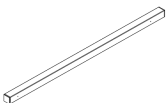
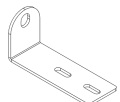
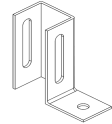

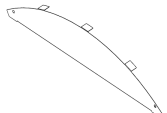
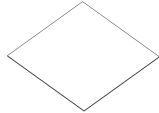
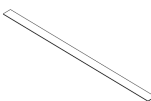
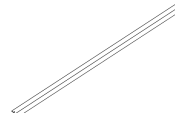
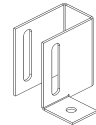
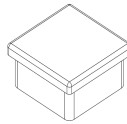
Product Code: SR7894F

Doc. No.: SR7894F-01-27092021-USA


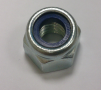





Exploded view



Parts List

ITEM NO.	PART NO.	DESCRIPTION	Size (inch)	IMAGE	QTY.
1	S1C	Frame	78.74 x 40.74		5
2	JF1	Straight Bracket	8.7 x 1.6		3
3	CB1	Corner Bracket	4.3 x 4.3 x 1.6		7
4	ST1	Beam	40.4		1
5	DR	Rafter Bracket	4.3 x 1.6 x 2		8
6	FT1	Foot Bracket	4.3 x 3.9 x 1.6		2
7	DR1R	Rafter	45		3
8	DR1I	Infill Panel	44.6 x 7.9		2
9	DR1PO	Roof Panel Outer	47.7 x 41.5		2
10	DR1T	Roof Trim	47.7 x 3.1		3
11	DRAT2	Ally-Angle Trim 2M	2 x 2 x 83		2
12	FT3	FT3 Bracket	4.3 x 3.9 x 3.1		4
13	EC40	Plastic end cap	1.6 x 1.6		2

Fittings and tools

Type	Bolt set M10				T25	T38 *	BTANCM12100
	M10 x 60	Nut	Washer	Black Caps	1" Tech screw	1 1/2" Tech screw	M10/12 x 100 mm Concrete Bolt
Pack A	30	30	60	60	72	30	8
Image							

* NOTE: THE 1 1/2 inch TECH SCREWS ARE FOR FIXING ROOF COMPONENTS ONLY

Tools required:

Drill/Screwdriver



Mallet



Tools included:

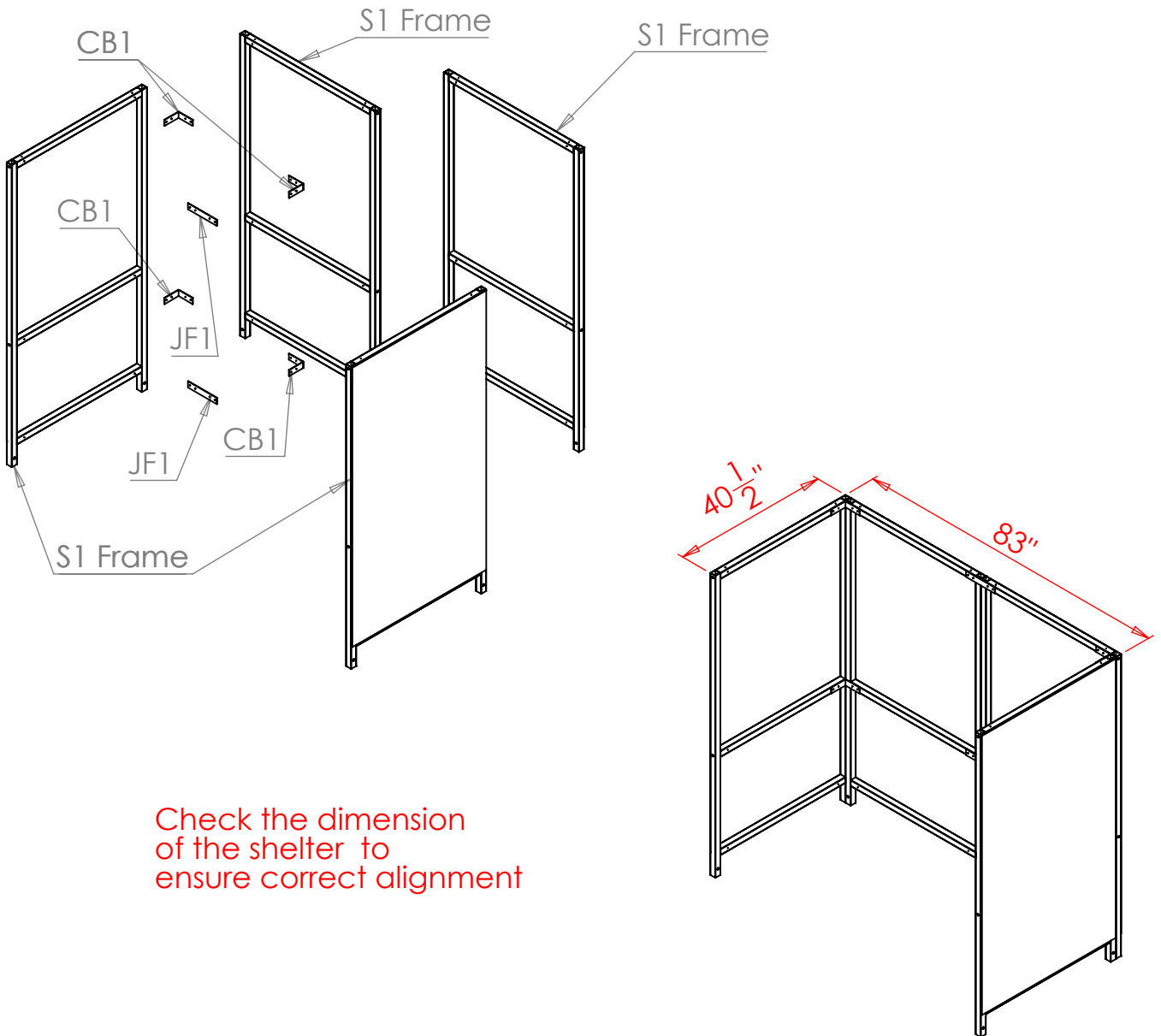
WRENCH



Torx bit

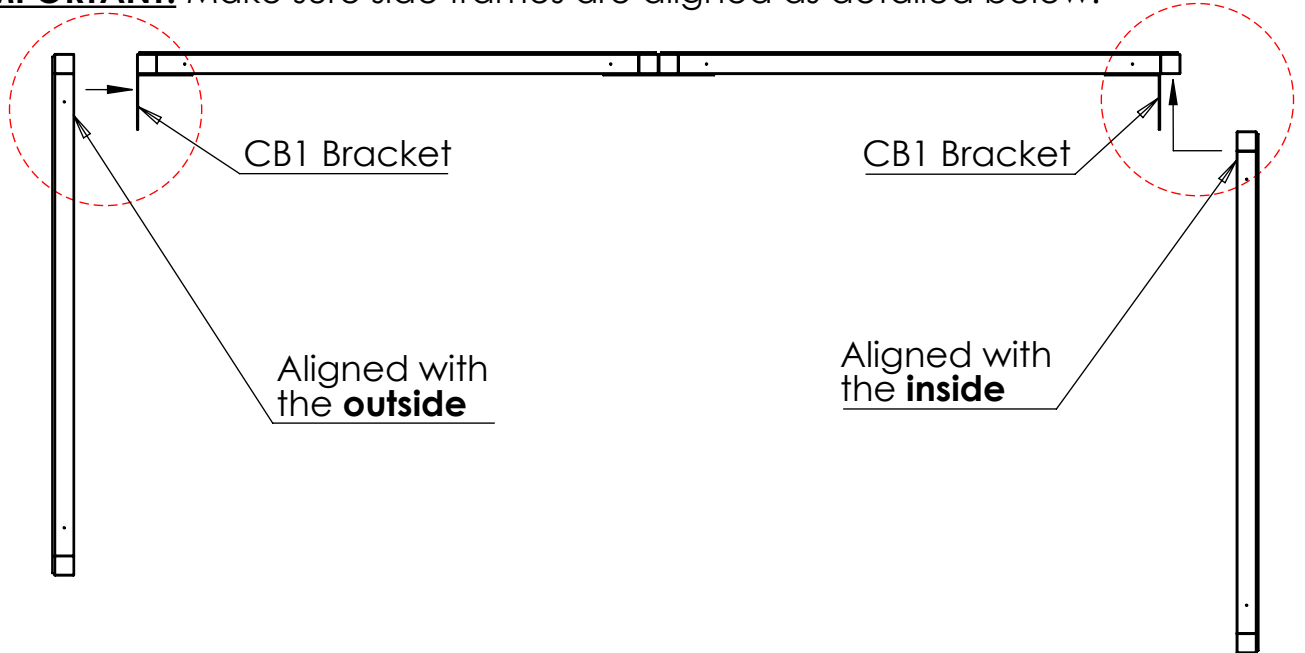


Step 1 Assemble back and side frames **S1** as shown below.

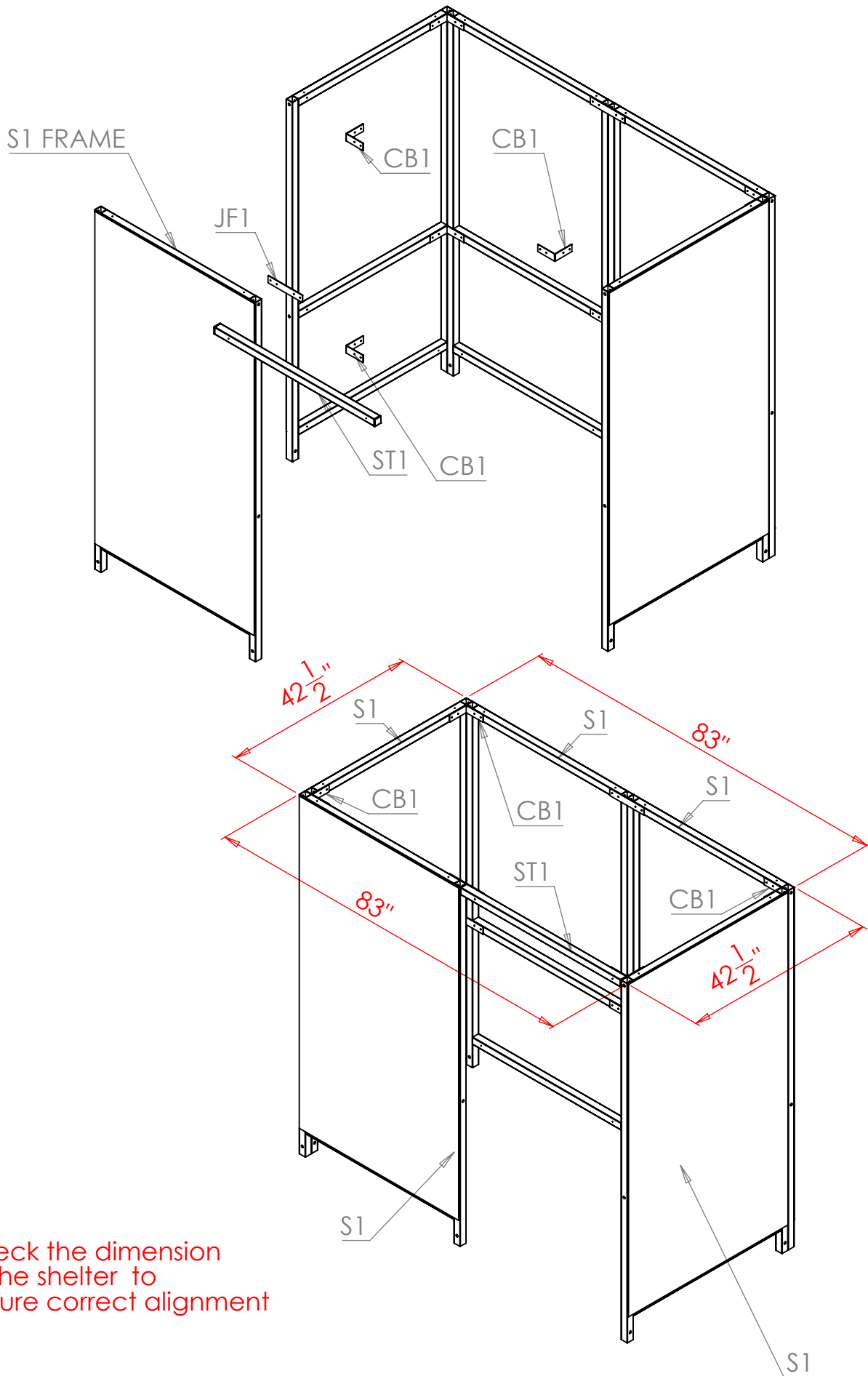


Check the dimension of the shelter to ensure correct alignment

IMPORTANT: Make sure side frames are aligned as detailed below.

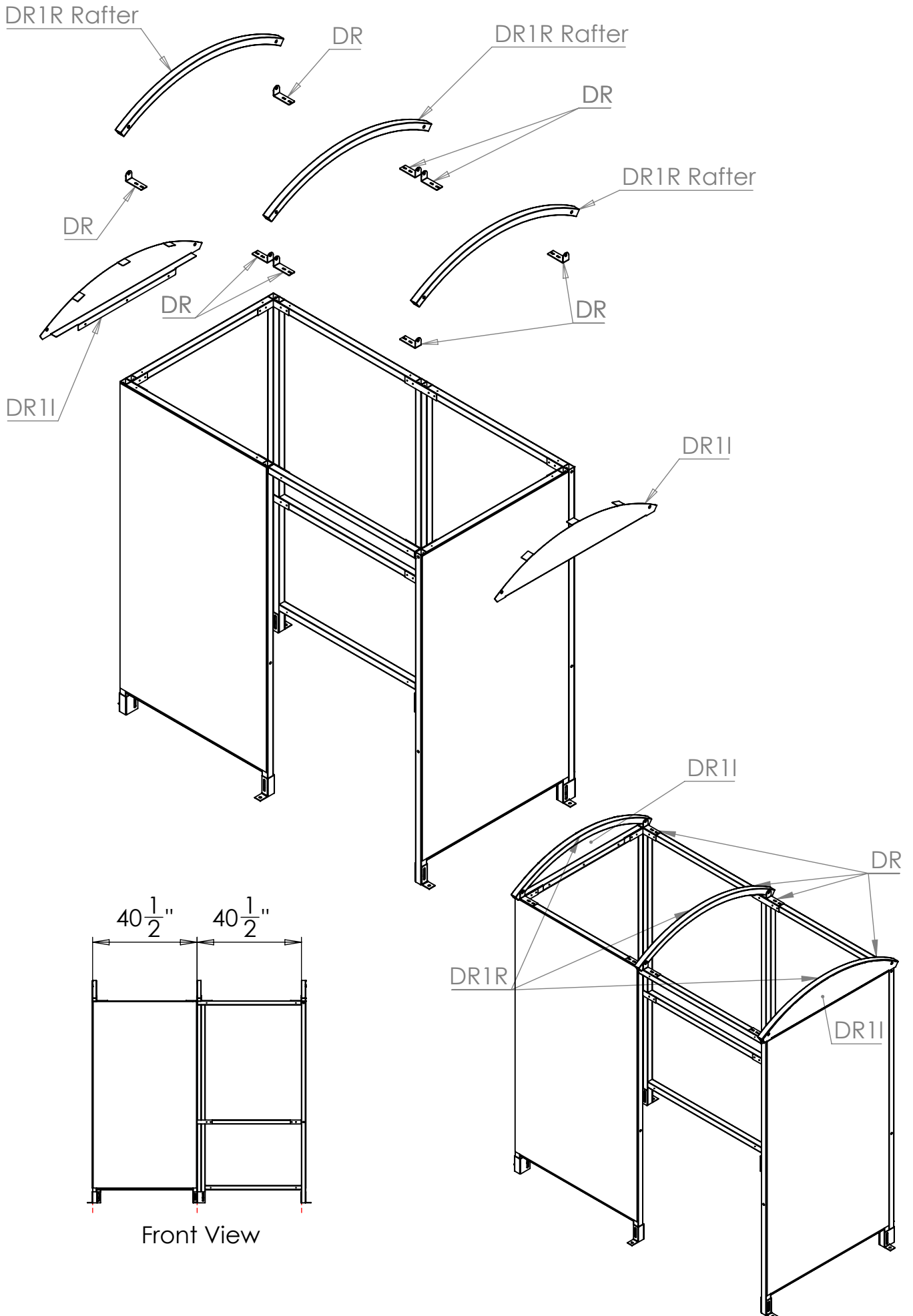


Step 2 Attach front **S1** frame and **ST1** tie bar using **CB1** brackets in the corners and **JF1** brackets on the straight joints.



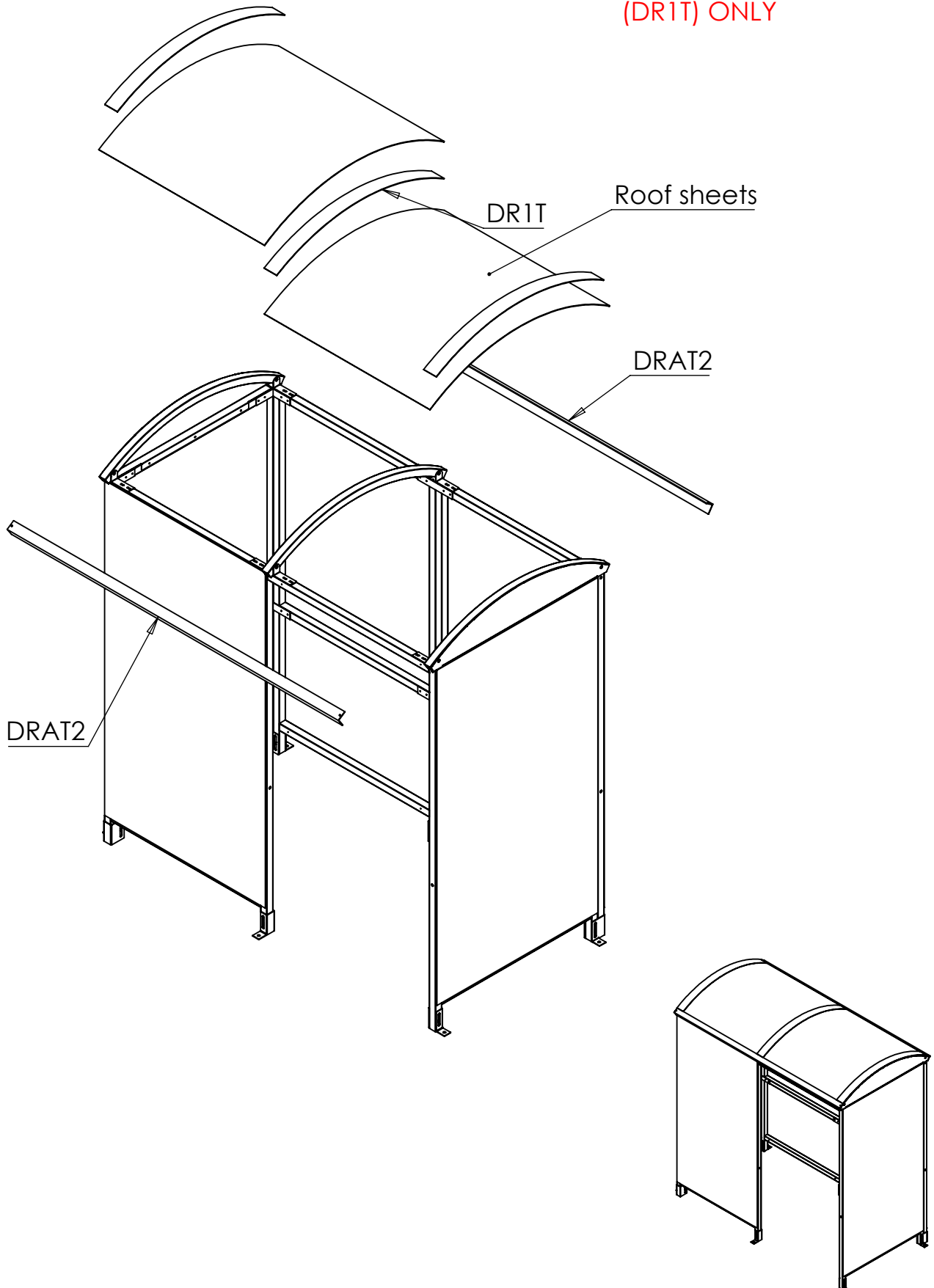
Check the dimension of the shelter to ensure correct alignment

Step 3 Secure the **DR1R** roof rafters into place using the **DR** Brackets. The **DR1I** infill panels are screwed into place using 1" tech screws but must be placed into position at the same time as the end rafter.



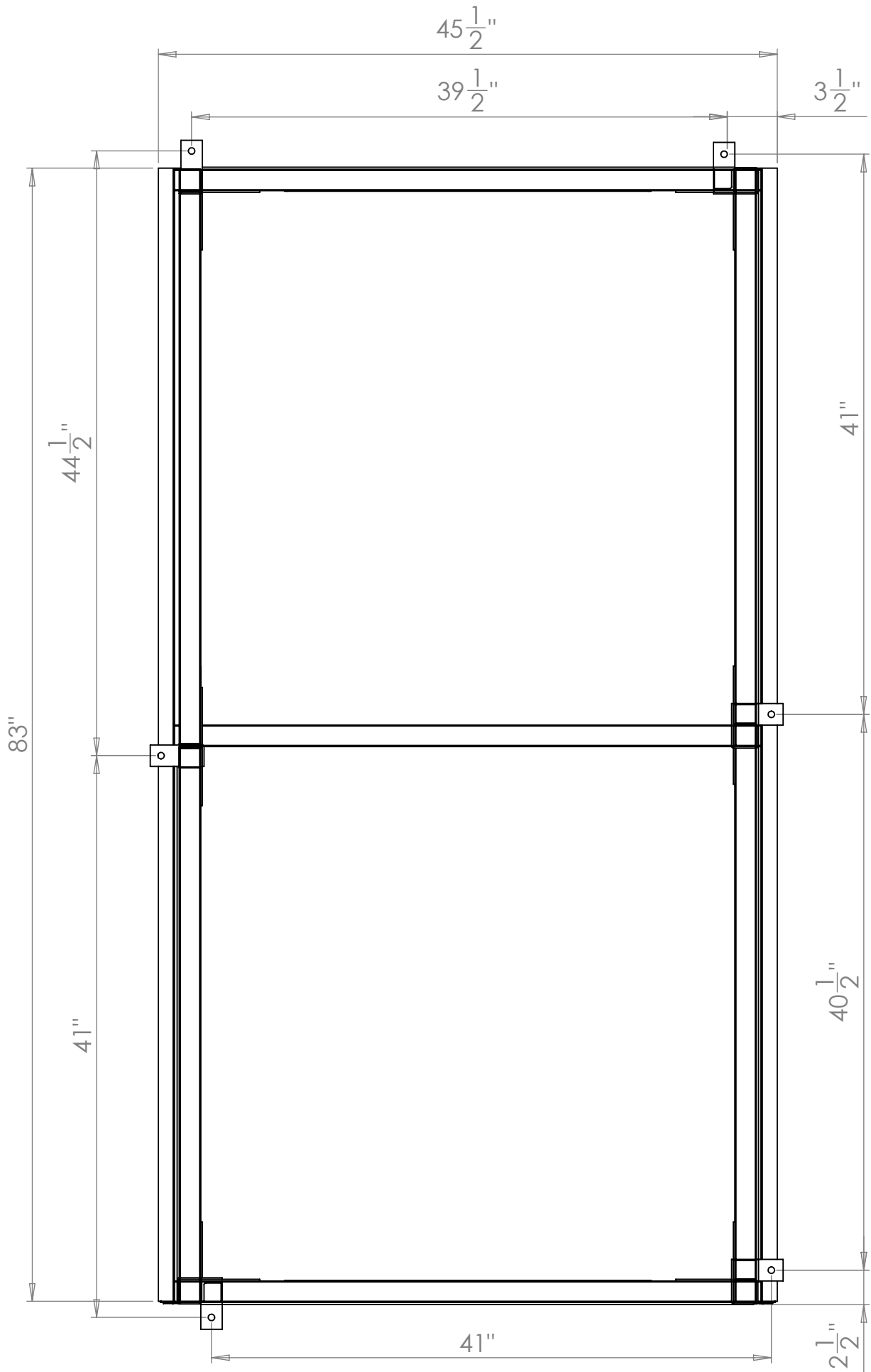
Step 4 Stick sealing strips on top of rafters and install roof sheets. Seal the central gap and edges with a **DR1T** strip. Install the **DRAT2** Angle trim to the bottom of the roof panels. Then fit the black plastic caps on exposed nuts and bolts.

NOTE:
THE 1 1/2" TECH SCREWS ARE
FOR FIXING ROOF STRIPS
(DR1T) ONLY



Plan View

Suggested size for concrete base: 8 inch oversized on all 4 sides.



THANK YOU FOR PURCHASING THIS PRODUCT

MAINTENANCE:

To ensure your products give you many years of use we recommend that you:

- Clean panels regularly with soapy water
- Ensure all fittings are tight (for example after a big storm)
- Use metal paint to touch up any exposed metal should it get scratched

CONTACT DETAILS:

No Butts Bin Company, Inc.
16 Birch Lane, Madison, CT 06443

Email : Sales@nobutts.com

Web : www.nobutts.com

Tel : 1-888-662-8887

All Parts and Fixings checked by:	
Print Name:	Signature: