

Assembly Instructions



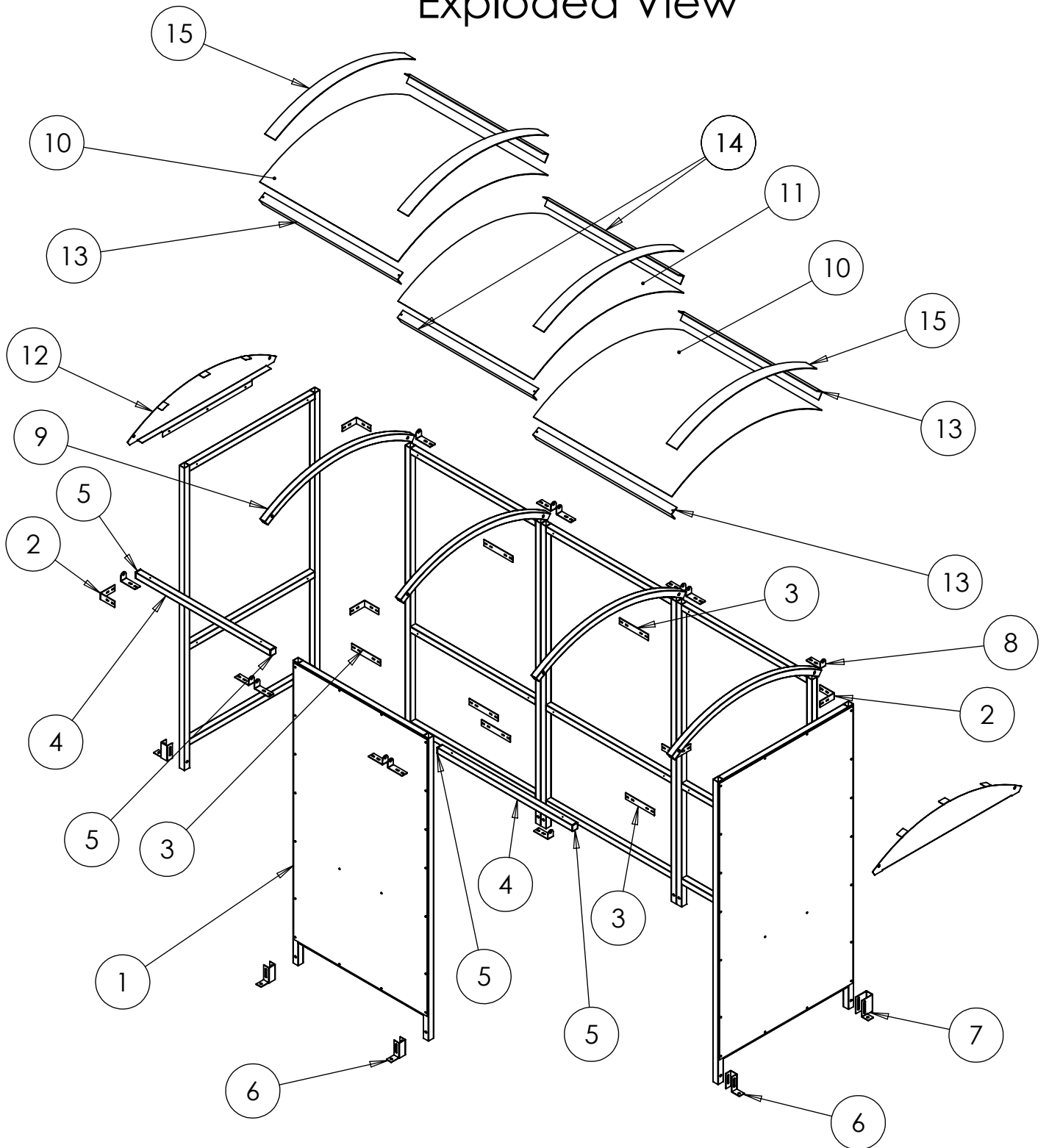
No Butts Bin Co.
Better Ash & Trash Solutions
Est. 1991

Email : Sales@nobutts.com
Web : www.nobutts.com
Tel : 1-888-662-8887

Product Code: SR7895-F

Doc. No.: SR7895F-01-191021-USA

Exploded View



Tools required:

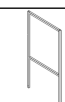
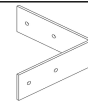
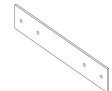
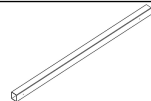
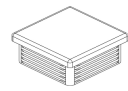
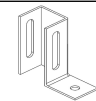
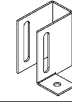
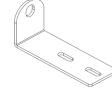

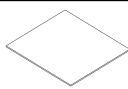
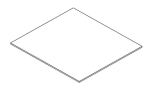
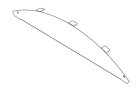


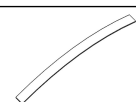
Drill/Screwdriver 








Spanner 

Mallet 

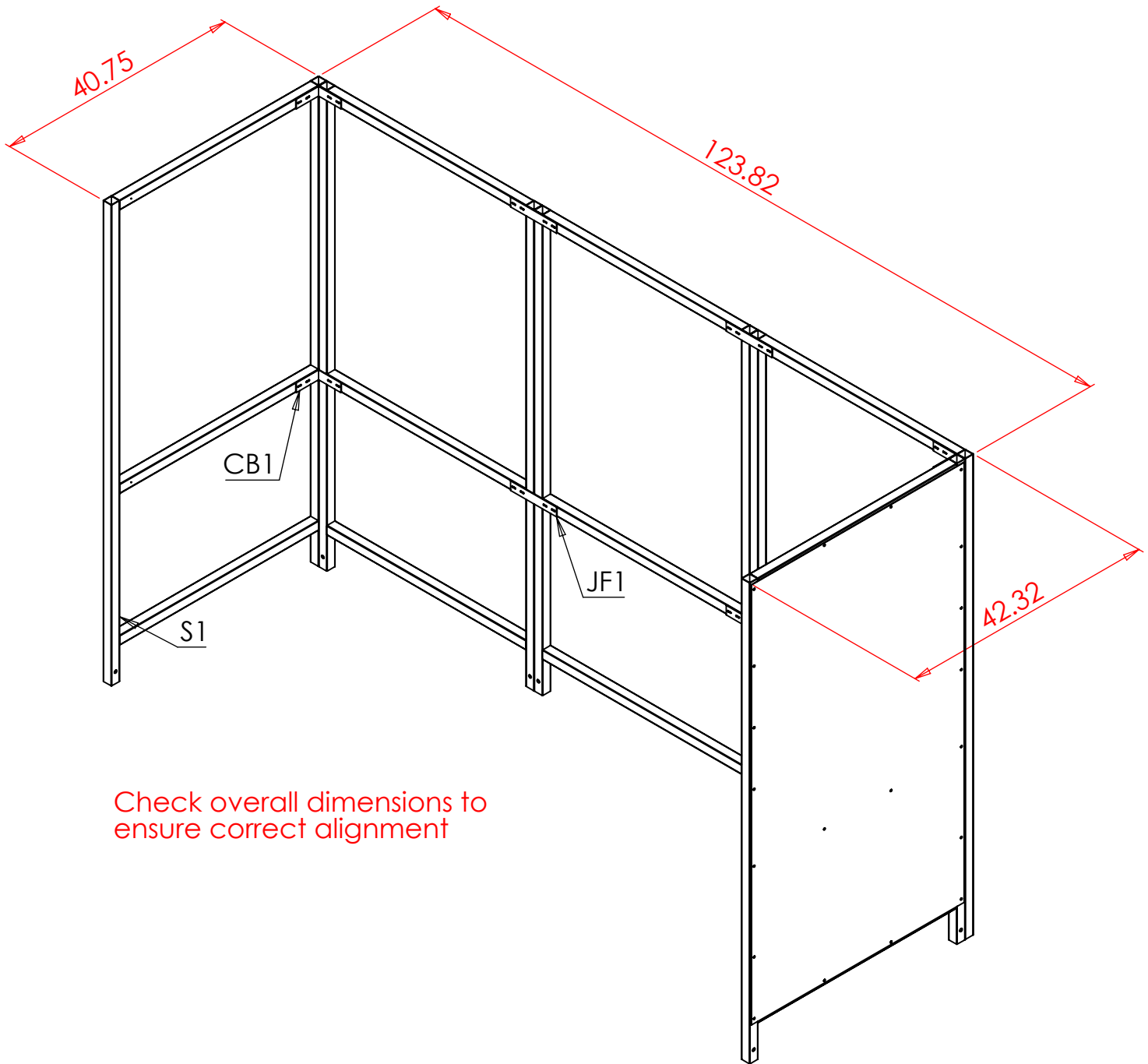
Torx bit 

PARTS LIST

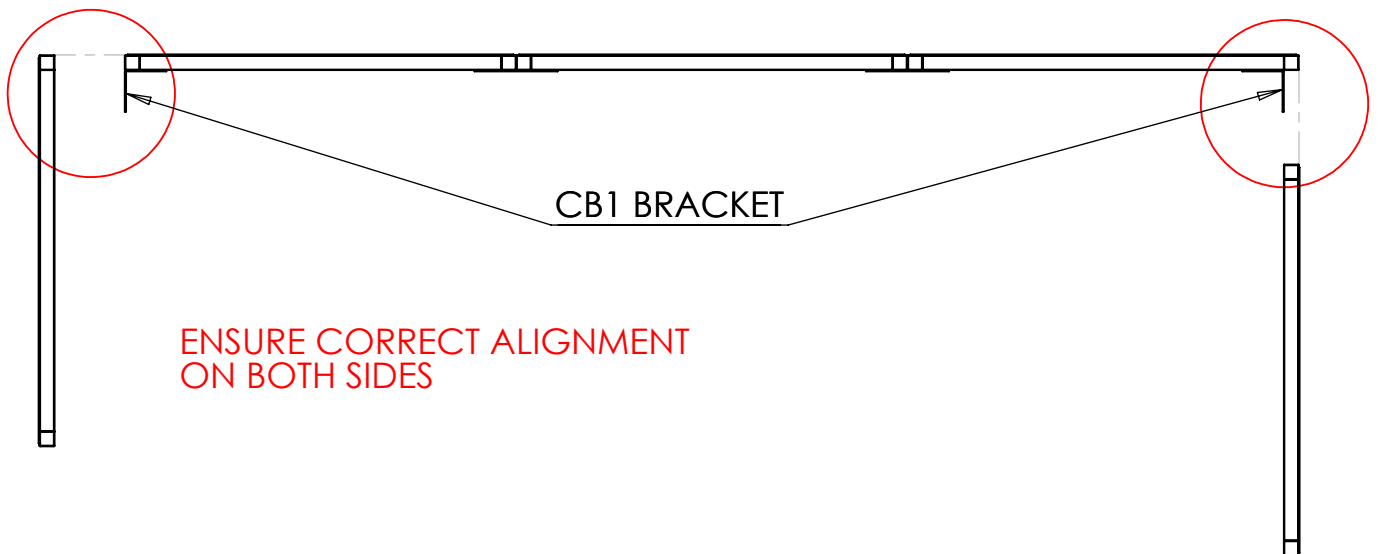
ITEM NO.	PART NAME	DRG NUMBER	Size (inch)	IMAGE	QTY.
1	S1C Frame	S1C	78.74 x 40.74		6
2	CB1 Bracket	CB1	4.3 x 4.3 x 1.57		6
3	JF1 Bracket	JF1	4.33 x 1.57		6
4	ST1 Roof Tie	ST1	40.35		2
5	40x40 End cap	EC40	1.57 x 1.57		4
6	FT1 Bracket	FT1	1.57 x 1.57 x 3.94		4
7	FT3 Bracket	FT3	1.57 x 3.15 x 4.17		4
8	DR Bracket	DR	4.3 x 1.6 x 2		12
9	DR1R	DR1R	45		4
10	DR1PO Roof Panel	DR1PO	47.7 x 41.5		2
11	DR1PI Roof Panel	DR1PI	47.6 x 40.75		1
12	DR1I Infill Panel	DR1I	44.6 x 7.9		2
13	DRATO Roof Trim	DRATO	2 x 2 x 41.5		4
14	DRATI Roof Trim	DRATI	2 x 2 x 40.75		2
15	DRIT Roof Trim	DRIT	47.7 x 3.1		4

Fittings	Bolt set M10			T25	T38		BTANCM12100
	M10 x 60 mm	Nut	Washer	25 mm Tech screw	38 mm Tech screw	Black Caps	M10/12 x 100 mm Concrete Bolt
Pack A	30	30	60	72	30	60	8
Image							

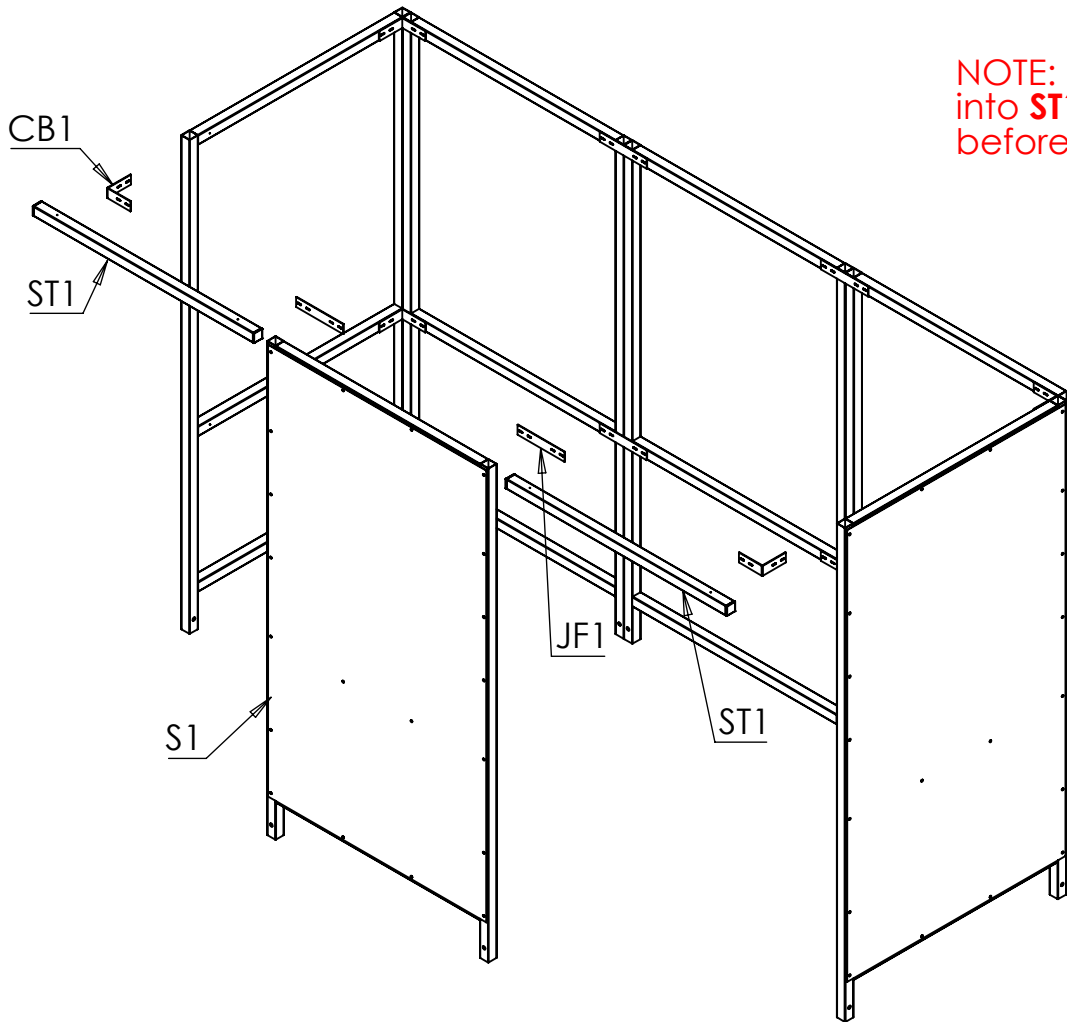
Step 1 Assemble main structure (**S1 Frames**) using **CB1** and **JF1** Brackets.



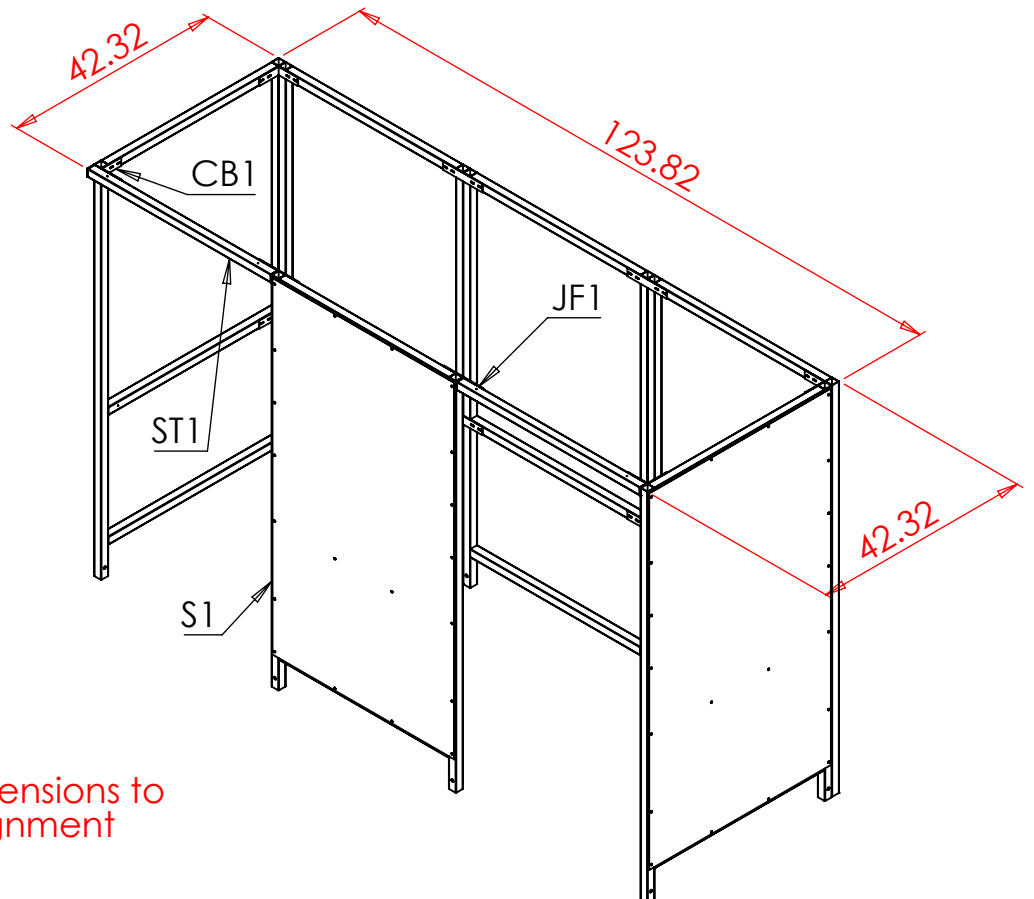
Check overall dimensions to ensure correct alignment



Step 2 Attach **ST1** Roof Ties and final **S1** to the structure using **CB1** and **JF1** Brackets.

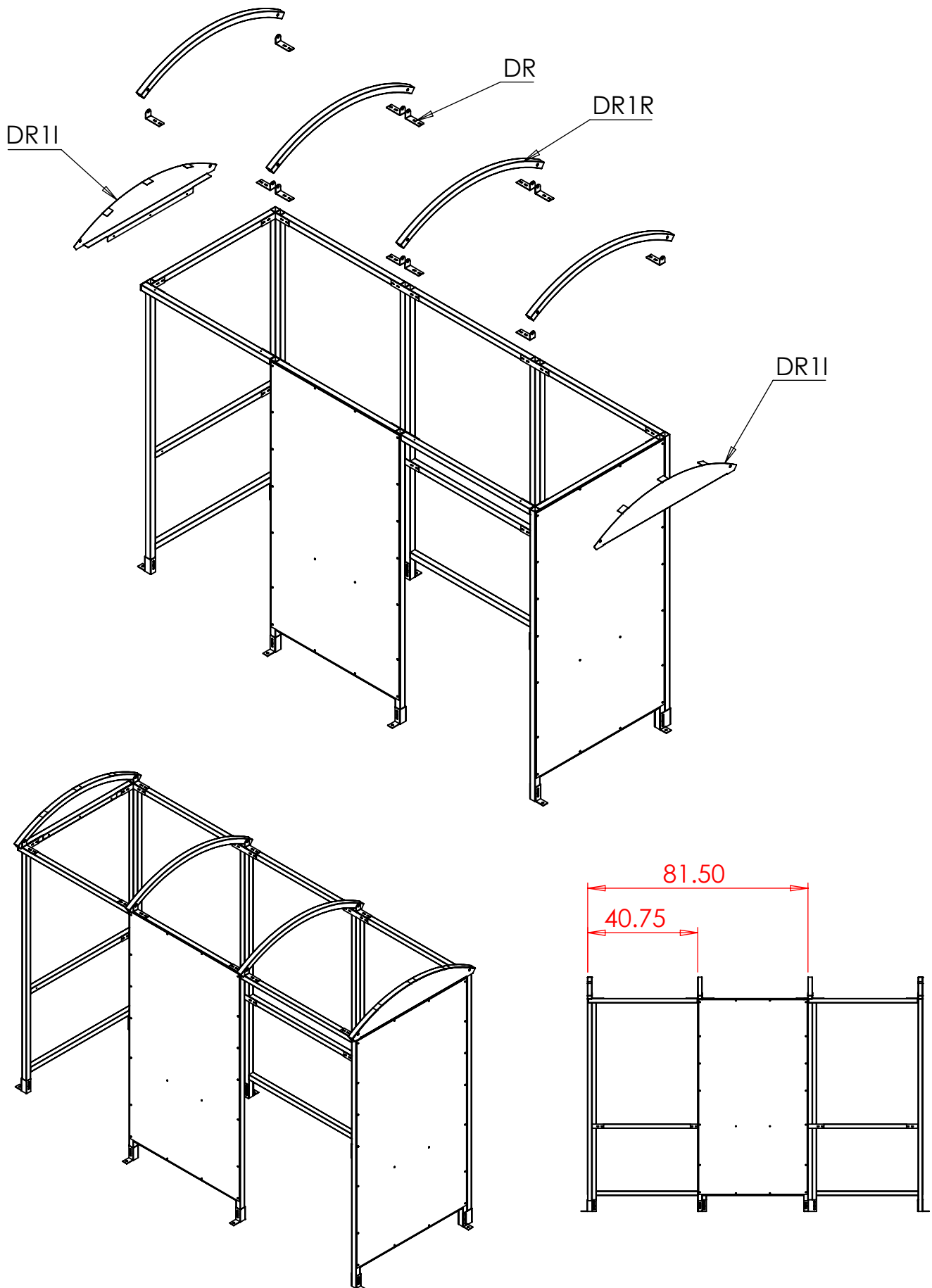


NOTE: Insert **EC40** into **ST1** ends before installing

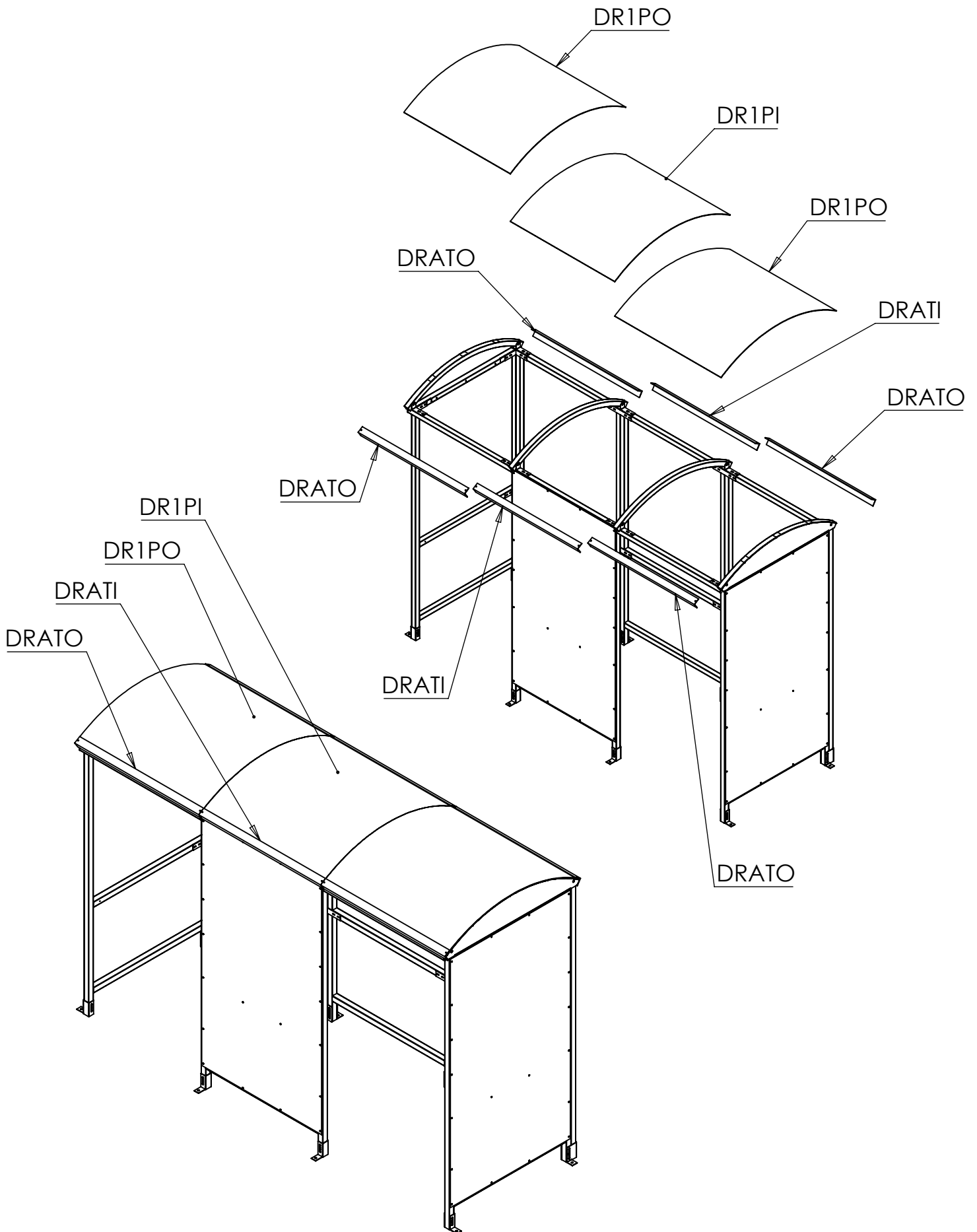


Check overall dimensions to ensure correct alignment

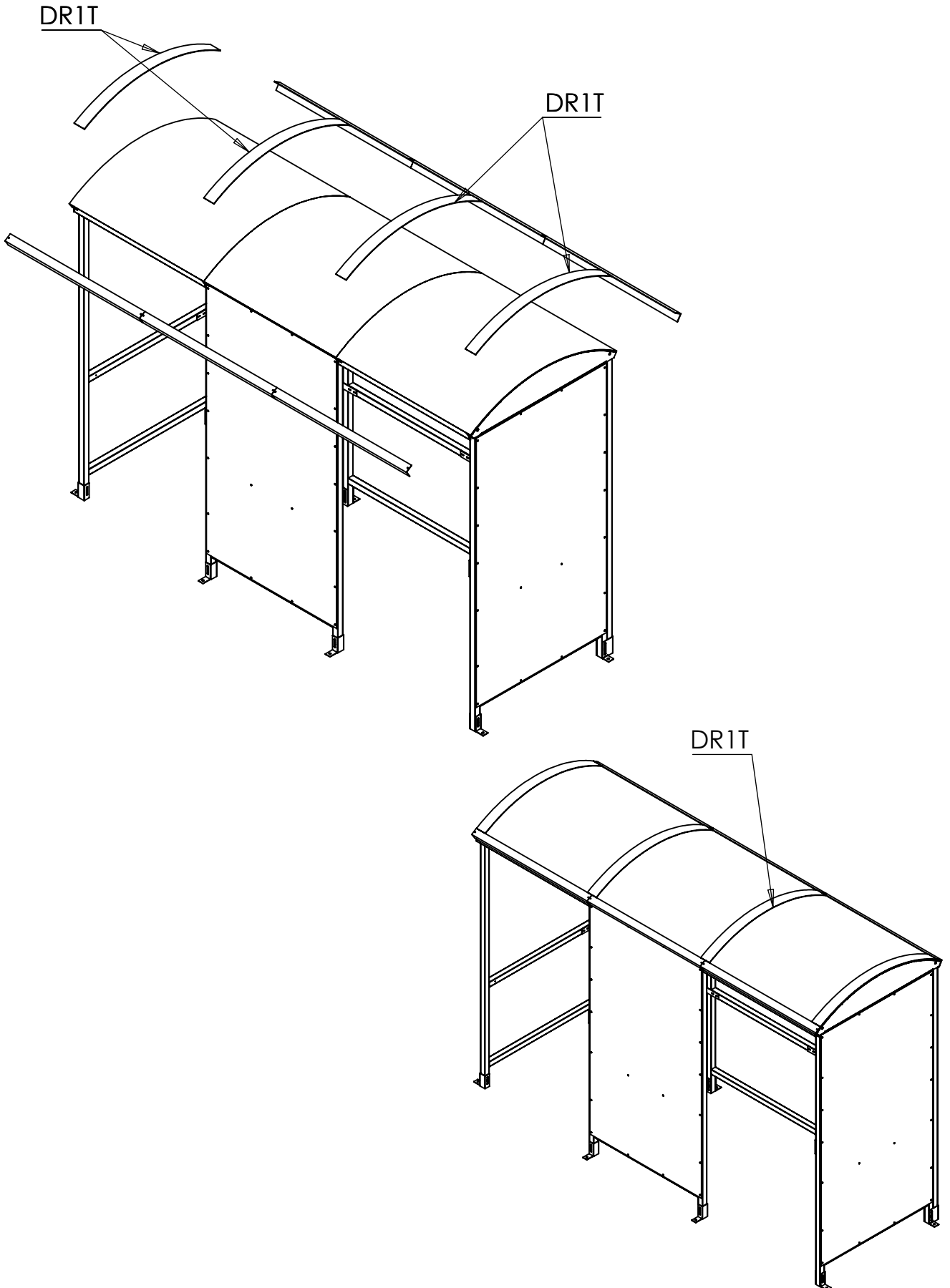
Step 3 Screw **DR** Brackets to the top of the frame and bolt **DR1R** Rafters to framework. Then attach the **DR11** infill panels.



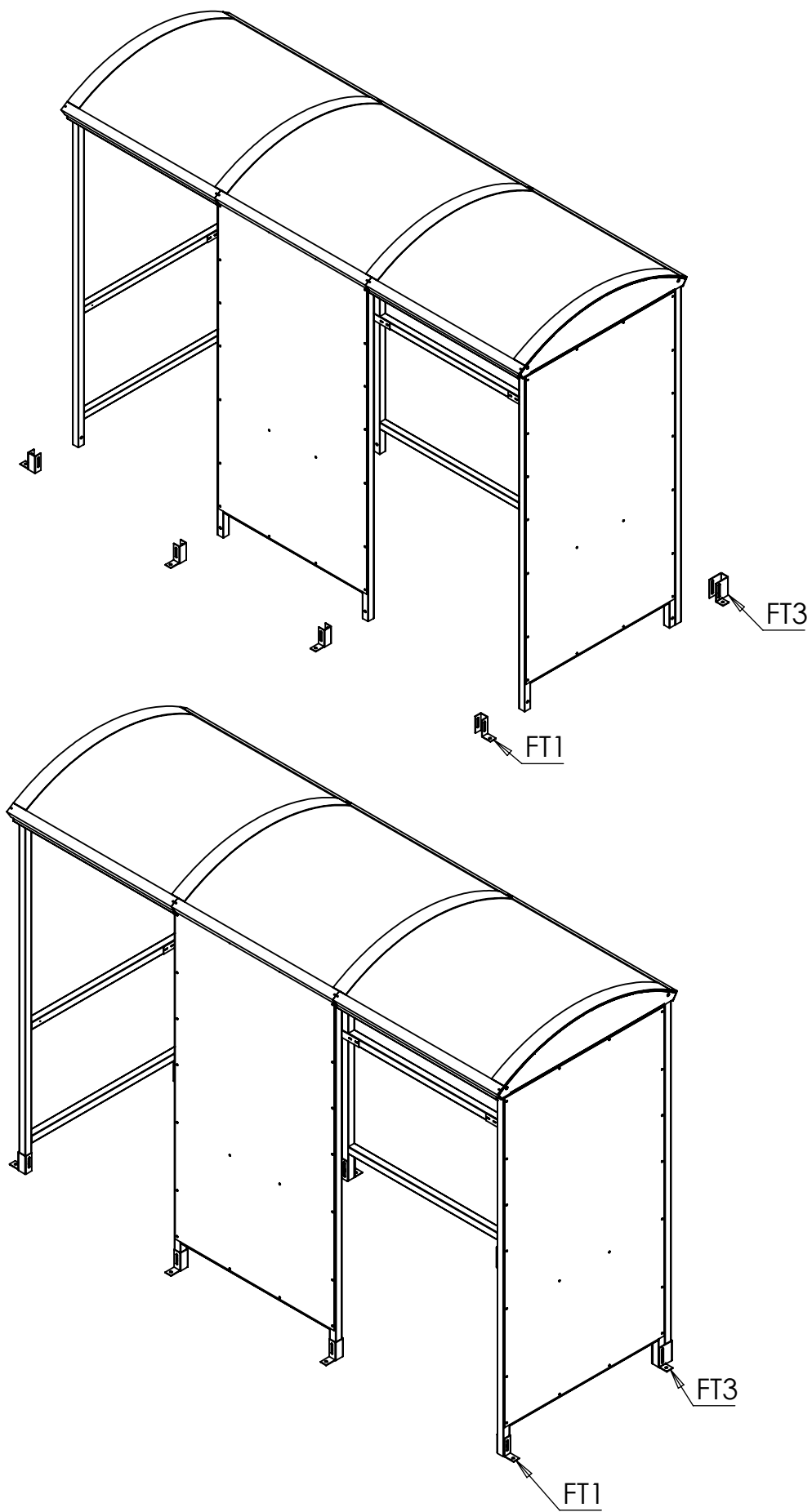
Step 4 Place **DR1PO** and the **DR1PI Panels** on top of the rafters. Follow the order shown below. Secure the panels using the **DRATO** and **DRATI** angles. These are secured with the 1.5" Tech screws.



Step 5 Attach the **DR1T** Strips by screwing through the panels and into the rafters using 1.5" Tech screws, then attach the **DR1PO** and **DR1PI** Trims to the outer/lower edges of the panels.



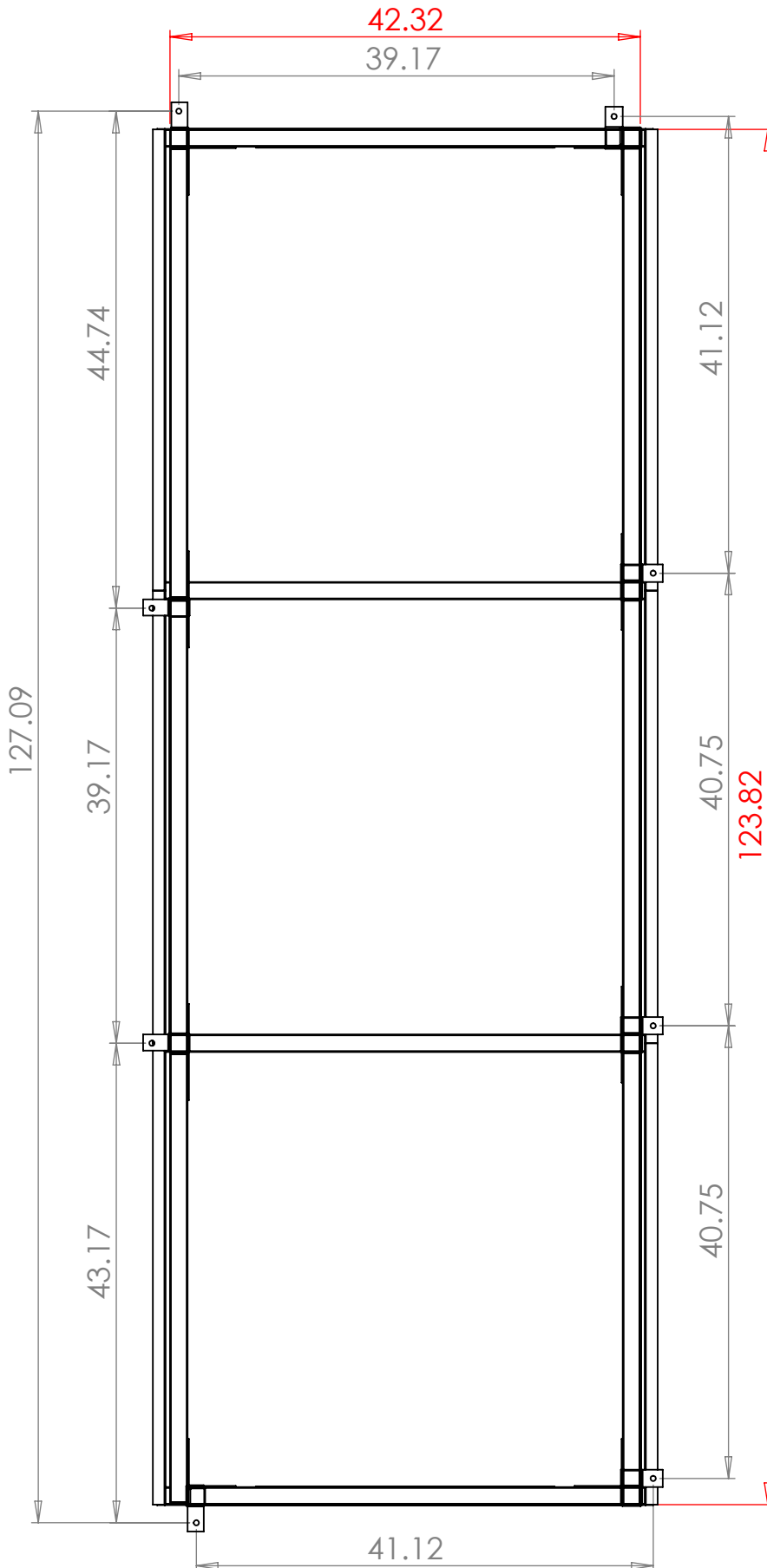
Step 6 Bolt the **FT1** and **FT3** Foot Brackets to the bottom of the frames and secure in desired position using concrete bolts. Then fit the Plastic caps on any exposed nuts and bolts.



Ground anchor positions and overall size

Suggested size for concrete base: 8inch oversized (on all four sides)

Scale 1:15



THANK YOU FOR PURCHASING THIS PRODUCT

MAINTENANCE:

To ensure your products give you many years of use we recommend that you:

- Clean panels regularly with soapy water
- Ensure all fitting are tight (for example after a big storm)
- Touch up any exposed metal should it get scratched

CONTACT DETAILS:

No Butts Bin Company, Inc.
16 Birch Lane, Madison, CT 06443

Email: Sales@nobutts.com

Web: www.nobutts.com

Tel: 1-888-662-8887

All Parts and Fixing checked by:	
Print Name:	Signature