

# Assembly Instructions

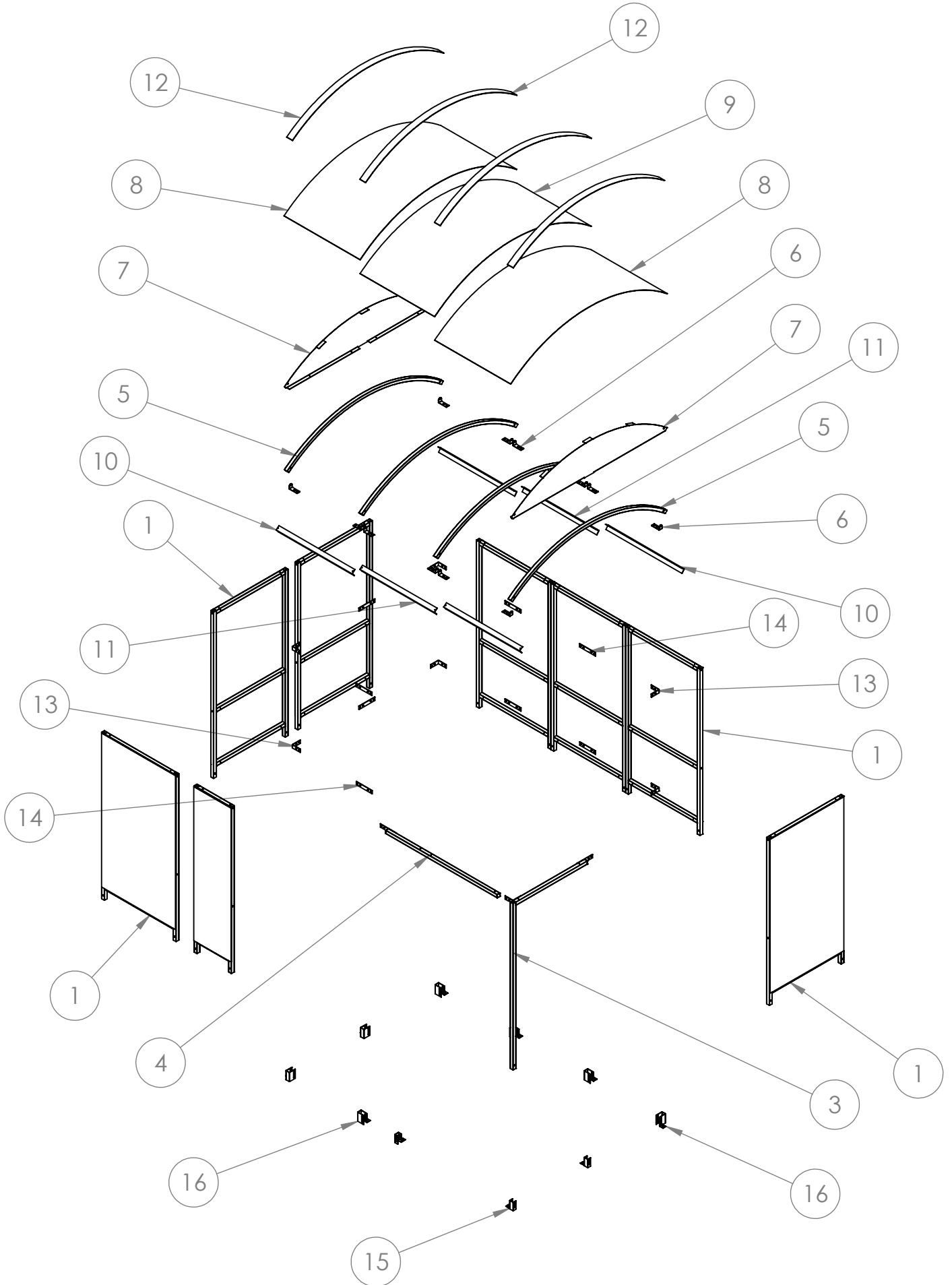


Email : [sales@nobutts.com](mailto:sales@nobutts.com)  
Web : [www.nobutts.com](http://www.nobutts.com)  
Tel : 1-888-662-8887


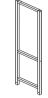

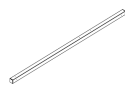

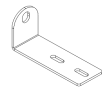




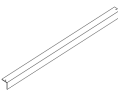

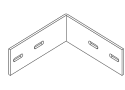
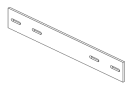
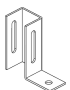
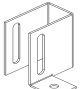
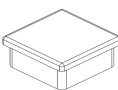
**Shelter type: SR7901-F**

SR7901F-01-28102021-USA


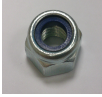





# EXPLODED VIEW



## PARTS LIST

ITEM NO.	PART NUMBER	Size (inch)	IMAGE	QTY.
1	S1C Frame	78.74 x 40.74		7
2	S3C Frame	78.74 x 20.3		1
3	Post P1	78.75 x 40.5		1
4	ST5 Roof Tie	60.75		1
5	DR2R	92.32		4
6	DR Bracket	4.3 x 1.6 x 2		12
7	DR2I Infill Panel	85 x 15.75		2
8	DR2PO Roof Panel	92.32 x 41.54		2
9	DR2PI Roof Panel	40.75 x 92.30		1
10	DRATO Roof Trim	2 x 2 x 41.5		4
11	DRATI Roof Trim	2 x 2 x 40.75		2
12	DR2T Roof Trim	92.32 x 3.15		4
13	CB1 Bracket	4.3 x 4.3 x 1.57		7
14	JF1 Bracket	4.33 x 1.57		10
15	FT1 Bracket	1.57 x 1.57 x 3.94		3
16	FT3 Bracket	1.57 x 3.15 x 4.17		7
17	40x40 Plastic End Cap	1.6 x 1.6		3

# FITTING AND TOOLS

		Fittings						
		Bolt set M10			T25	T38		BTANCM12100
		M10 x 60mm	Nut	Washer	1" Tech screw	1.5" Tech screw	Black Caps	M10/12 x 100 mm Concrete Bolt
								
SR7901	Amount Included (Pack A+B)	40	40	80	136	66	80	13
	Amount Included (Pack H)	N/A	N/A	N/A	N/A	48	N/A	N/A
	Required	28	28	56	72	64	56	8

**Tools required:**

Drill/Screwdriver



Mallet



**Tools included:**

17mm Wrench

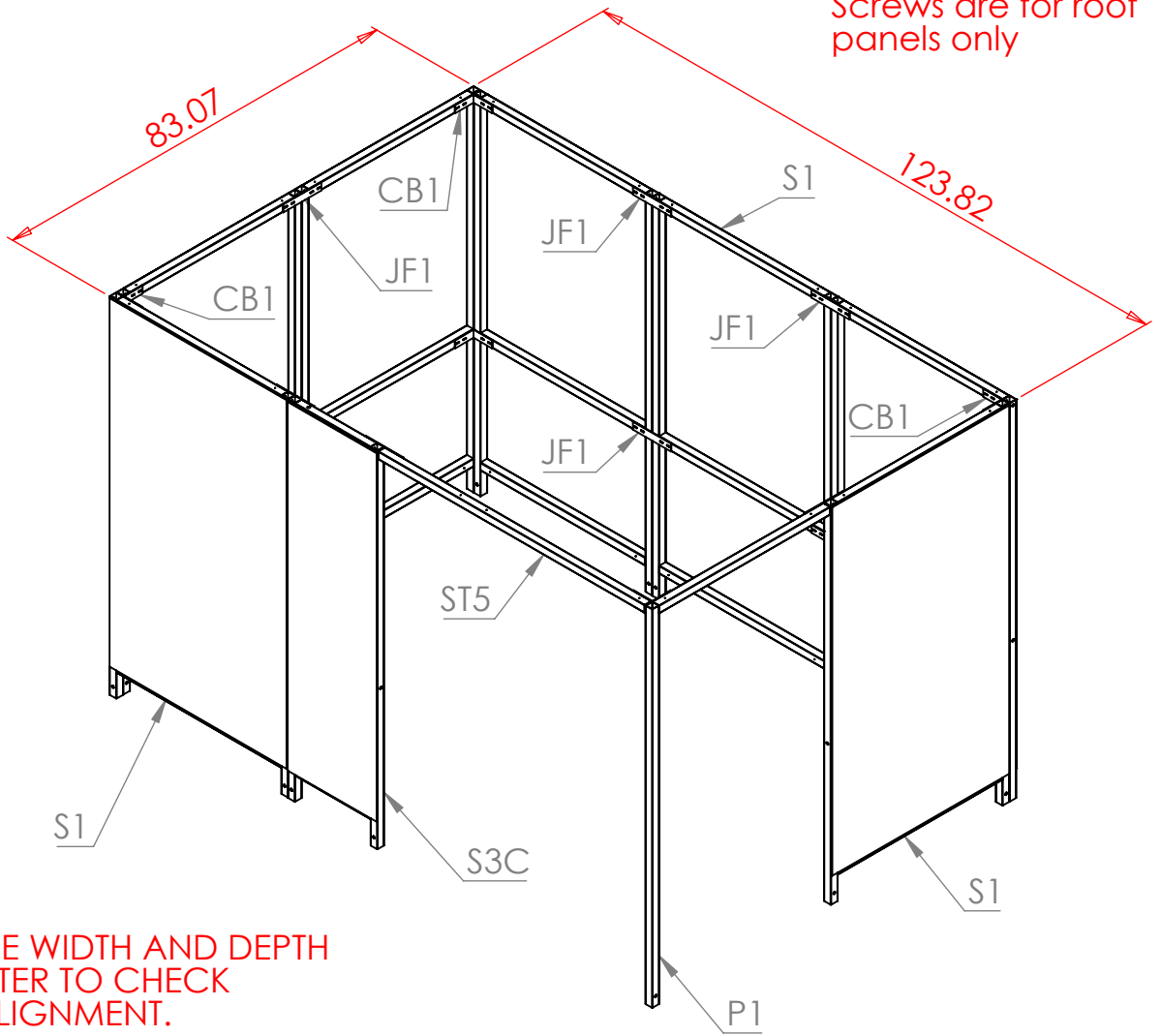


T25 Torx bit

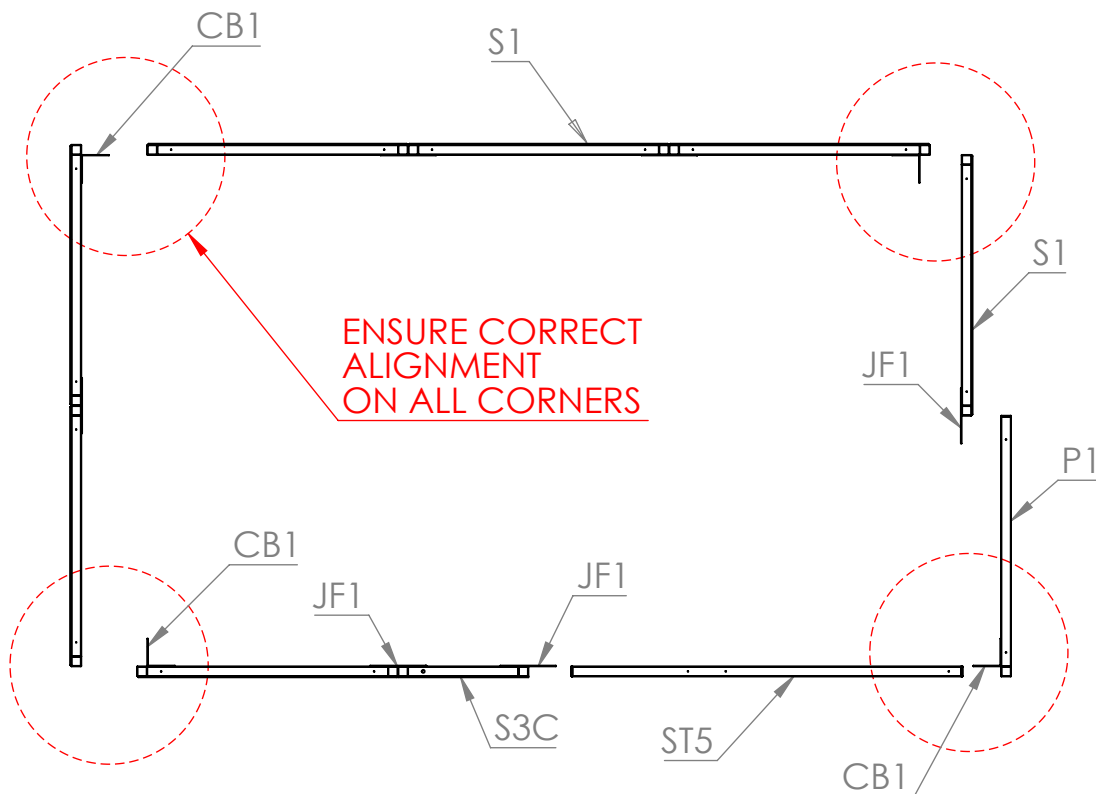


**Step 1** Assemble the **S1C/S3C** frames to make up the main structure using **CB1** brackets for the corners and **JF1** brackets for the straight joints. Complete the structure with the **P1** Post and the **ST5** tie bar.

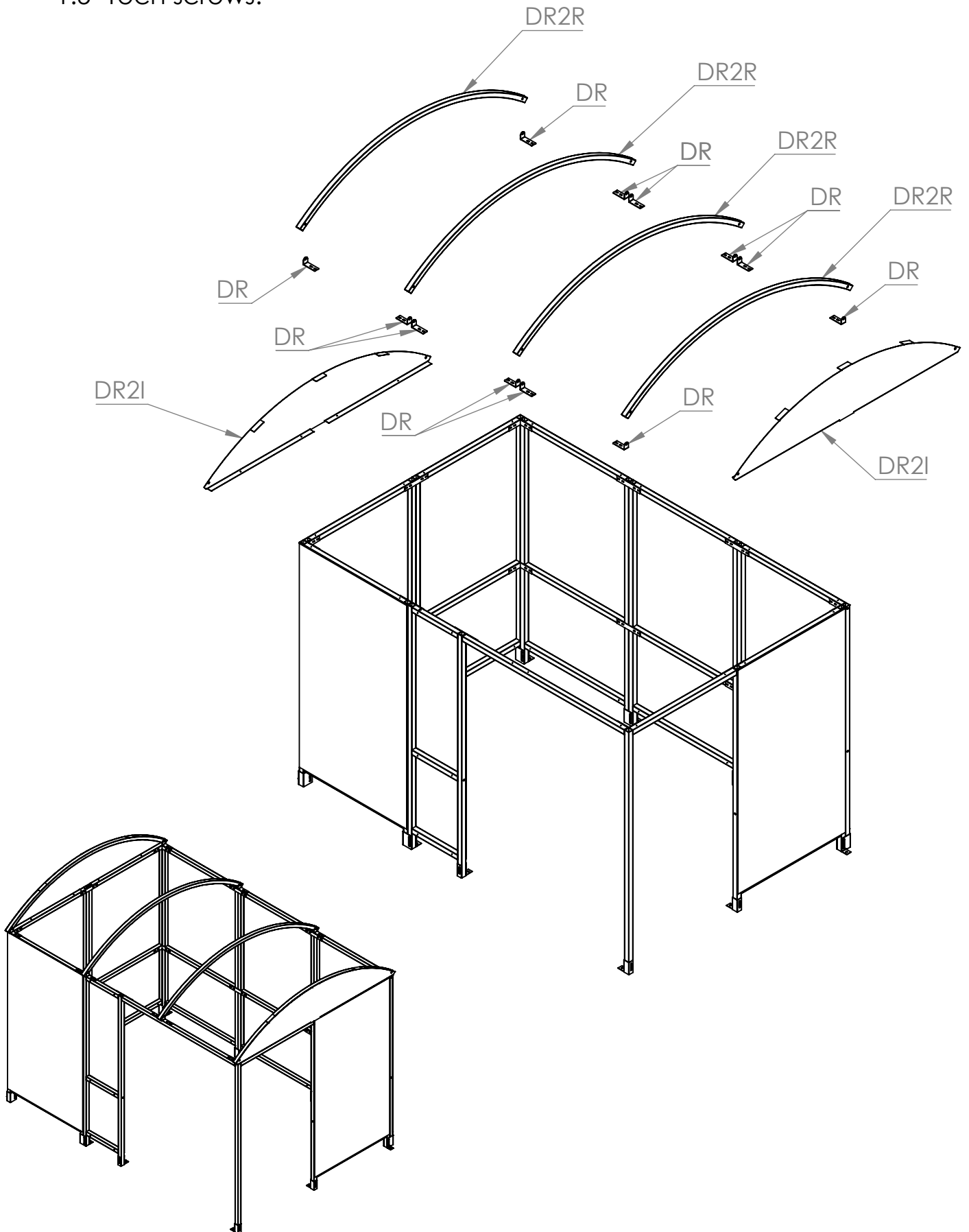
Please note 1.5" Tec Screws are for roof panels only



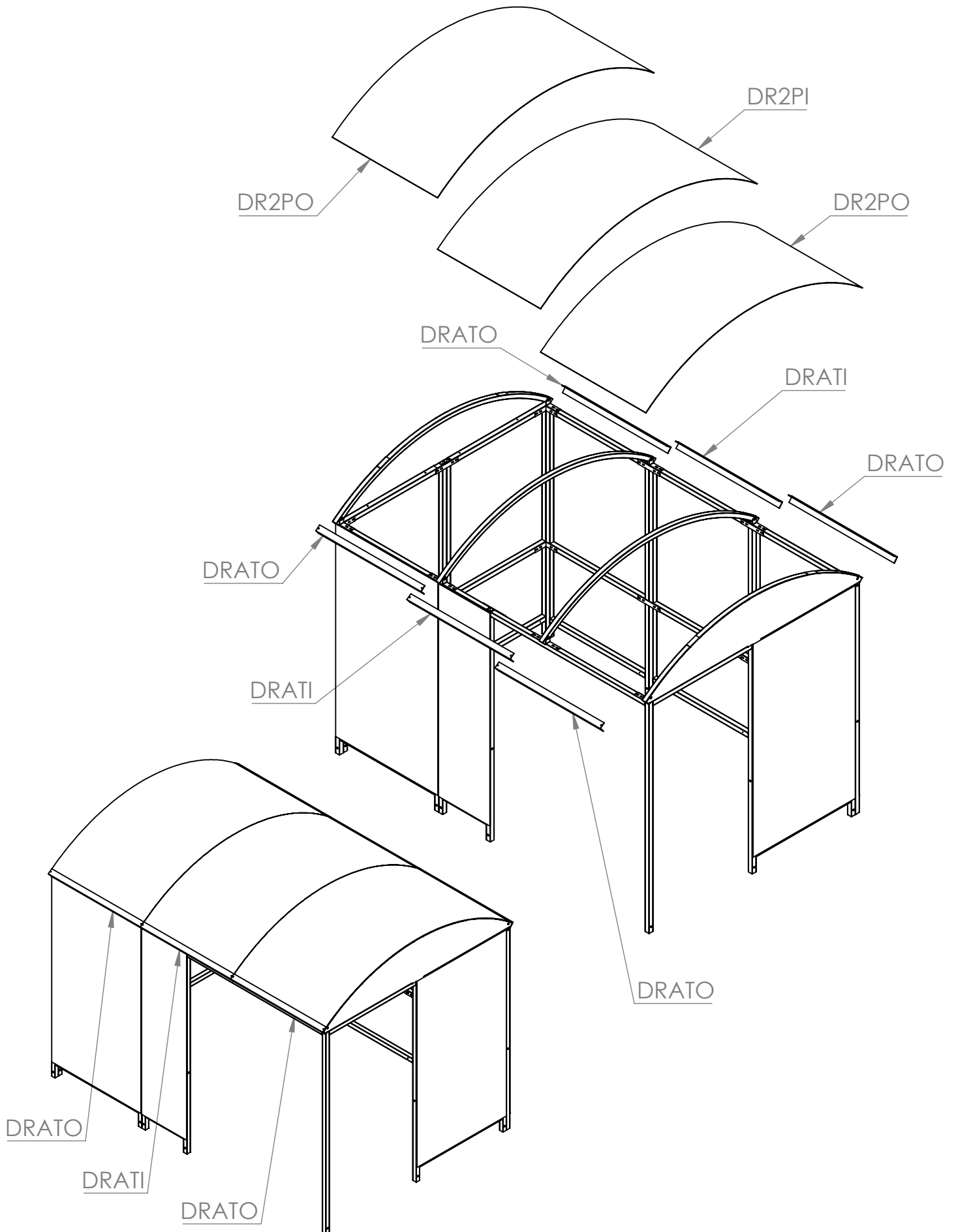
MEASURE THE WIDTH AND DEPTH OF THE SHELTER TO CHECK CORRECT ALIGNMENT.



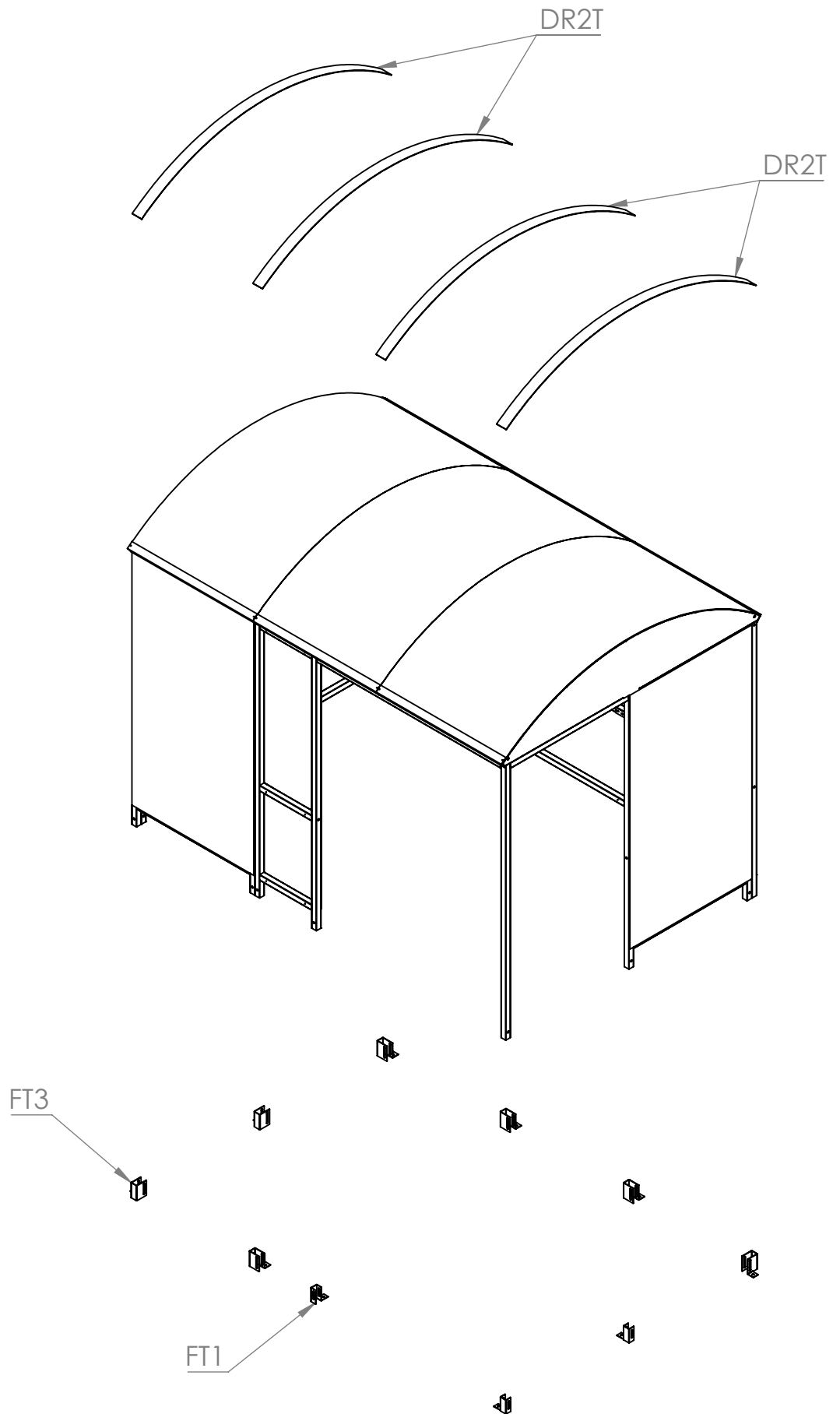
**Step 2** Attach **DR** Brackets to the top of the frames, and bolt the **DR2R** rafters in place through the brackets. The infill panels **DR2I** must be placed into position at the same time as the end rafters and are screwed in using 1.5" Tech screws.



**Step 3** Align the **DR2PO** roof panels with the outer roof rafters and equally space the **DR2PI** panel in the middle. Then use the DRATO and DRATI angles to attach the bottom of the panels with 1.5" Tech screws.



**Step 4** Attach the **FT1** and **FT3** foot brackets to the frames. Make sure the shelter is square and in its desired position before using the anchor bolts to fix it to the the ground. Screw down the **DR2T** directly into the rafters as shown below, using 1.5" Tech screws.





# THANK YOU FOR PURCHASING THIS PRODUCT

## MAINTENANCE:

To ensure your products give you many years of use we recommend that you:

- Clean panels regularly with soapy water
- Ensure all fittings are tight (for example after a big storm)
- Touch up any exposed metal should it get scratched

## CONTACT DETAILS:

No Butts Bin Company, Inc.  
16 Birch Lane, Madison, CT 06443

Email : Sales@nobutts.com

Web : www.nobutts.com

Tel: 1-888-662-8887

<b>All Parts and Fixings checked by:</b>	
Print Name:	Signature: