

Assembly Instructions



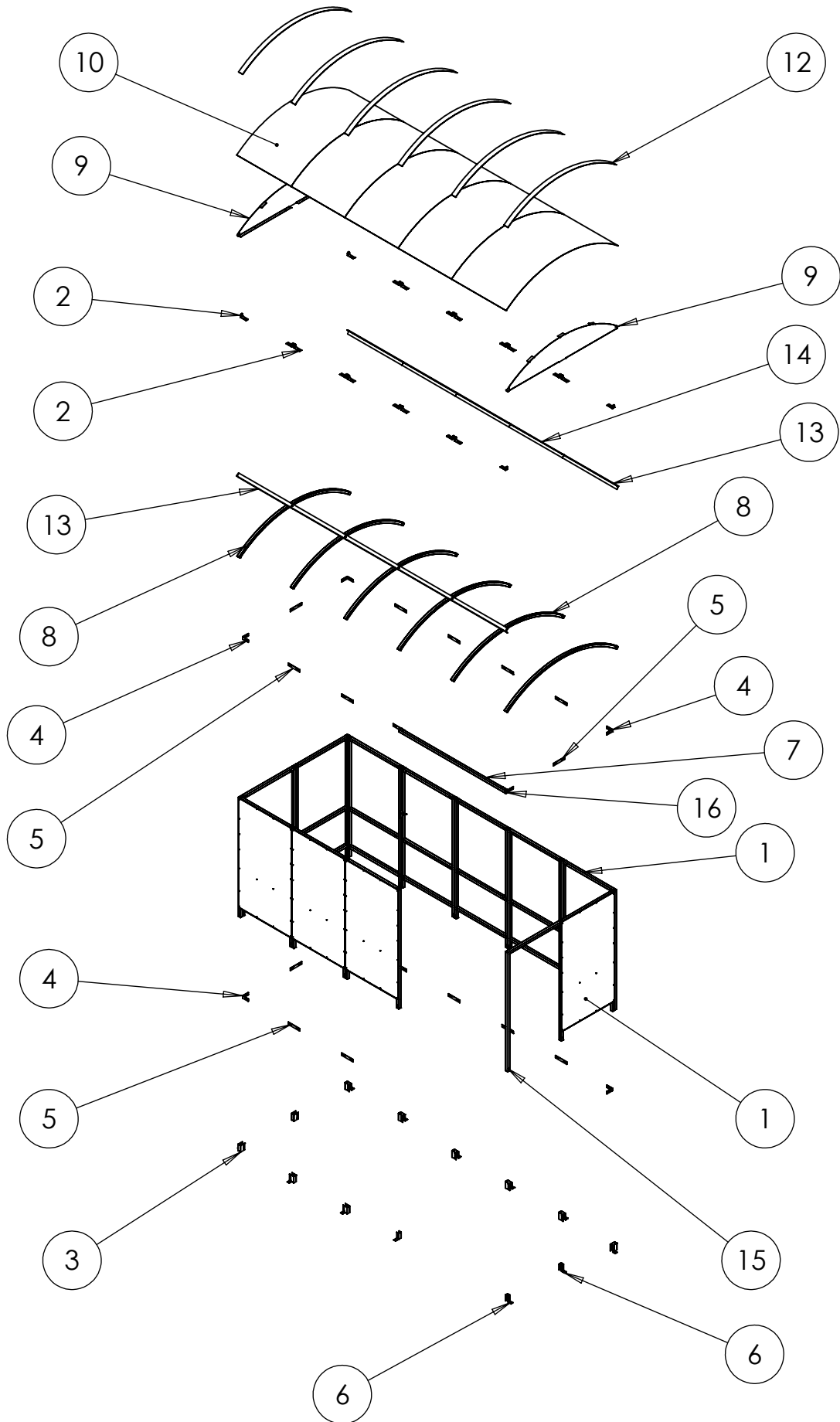
No Butts Bin Co.
Better Ash & Trash Solutions
Est. 1991

Email : Sales@nobutts.com
Web : www.nobutts.com
Tel : 1-888-662-8887


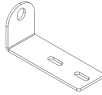
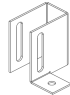
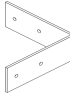
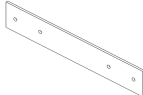

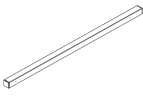

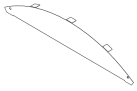
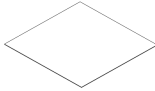
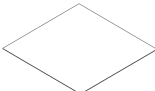
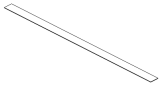
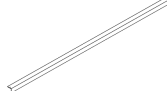
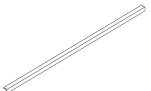

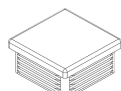
Product Code: SR7903-F

Doc. No.: SR7903F-01-01112021-USA


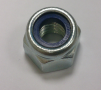





Exploded view



Parts List

ITEM NO.	PART NO.	DESCRIPTION	Size (inch)	IMAGE	QTY.
1	S1C	S1 - Full Frame - SRC	78.74 x 40.74		11
2	DR	Rafter Bracket	4.3 x 1.6 x 2		20
3	FT3	FT3 Bracket	1.57 x 3.15 x 4.17		10
4	CB1	Corner Bracket - CB1	4.3 x 4.3 x 1.57		8
5	JF1	Joint Flat - JF1	4.33 x 1.57		16
6	FT1	FT1 BRACKET	1.57 x 1.57 x 3.94		3
7	ST3	Roof Tie - ST3	81.1		1
8	DR2R	DR2R Rafter	92.32		6
9	DR2I	DR2 infill panel	85 x 15.75		2
10	DR2PO	DR2 Roof Panel Outer	92.32 x 41.54		2
11	DR2PI	DR2 Roof Panel Inner	40.75 x 92.30		3
12	DR2T	DR2 Roof Trim	92.32 x 3.15		6
13	DRATO	DR Ally-Angle Trim Outer	2 x 2 x 41.5		4
14	DRATI	DR Ally-Angle Trim Inner	2 x 2 x 40.75		6
15	P1	Post Frame - P1	78.74 x 40.74		1
16	EC40	40x40 PLASTIC END CAP	1.57 x 1.57		3

Fittings and tools

Type	Bolt set M10				T25	T38 *	BTANCM12100
	M10 x 60	Nut	Washer	Black Caps	1" Tech screw	1 1/2" Tech screw	M10/12 x 100 mm Concrete Bolt
Pack A	30	30	60	60	72	30	8
Image							

* NOTE: THE 1 1/2 inch TECH SCREWS ARE FOR FIXING ROOF COMPONENTS ONLY

Tools required:

Drill/Screwdriver



Mallet



Tools included:

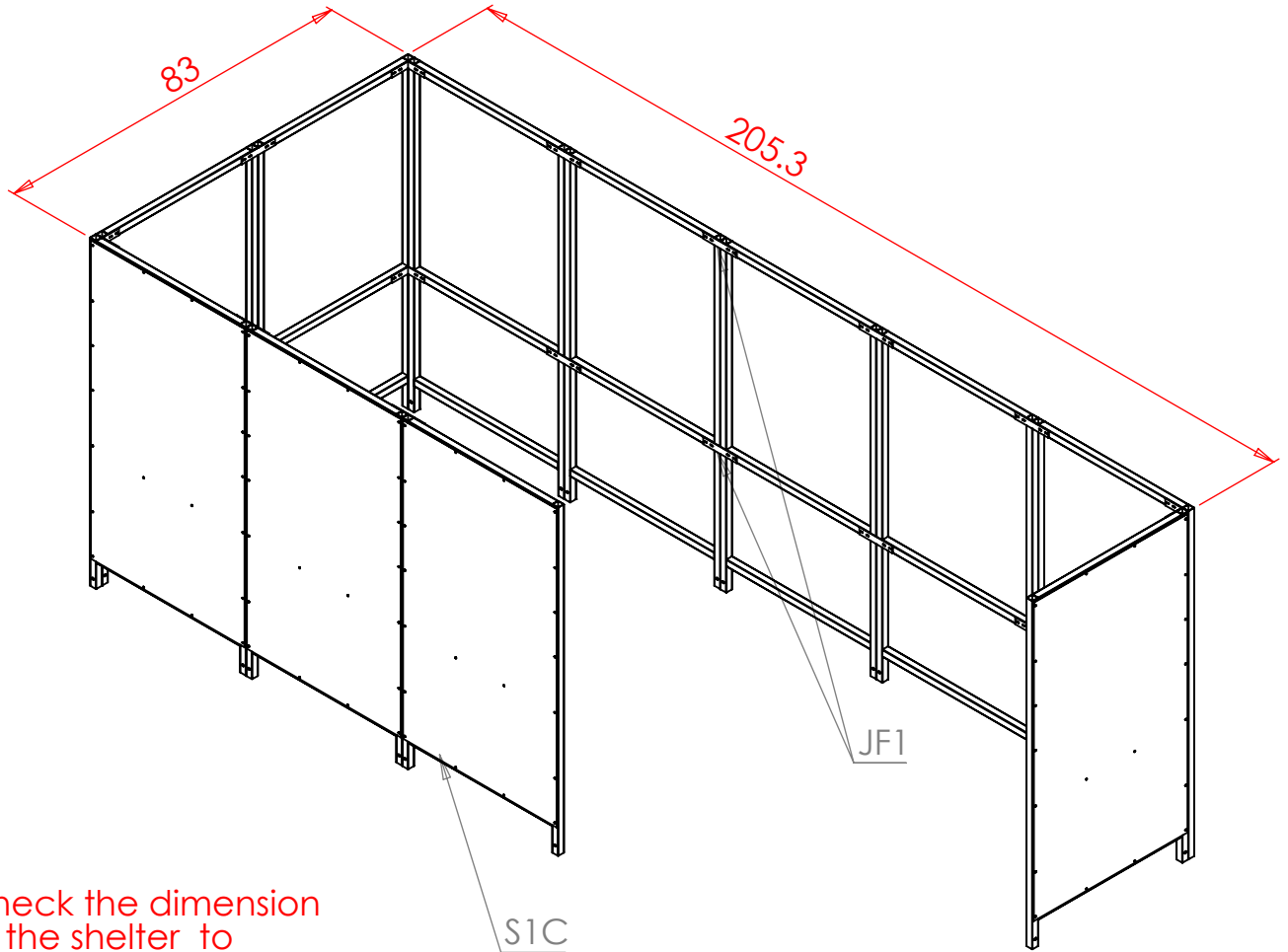
WRENCH



Torx bit

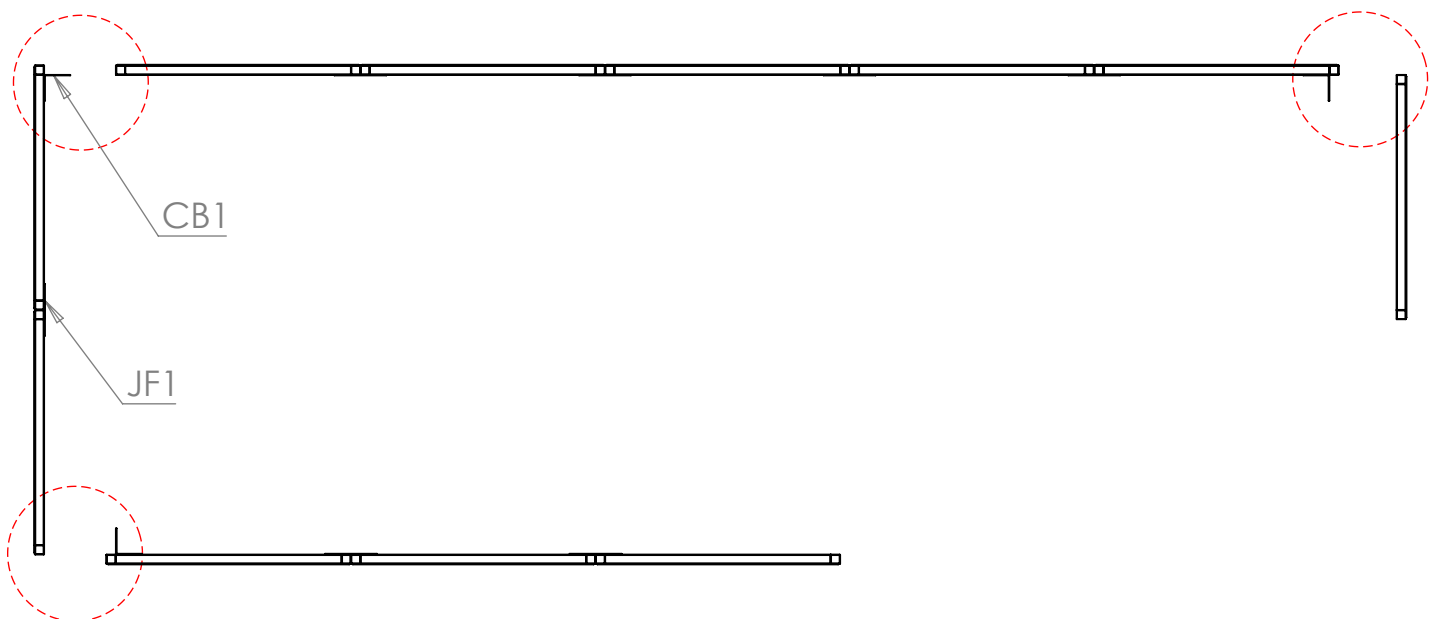


Step 1 Assemble back and side frames **S1C** as shown below. Using **JF1** brackets for the straight joints and **CB1** brackets for the corners.

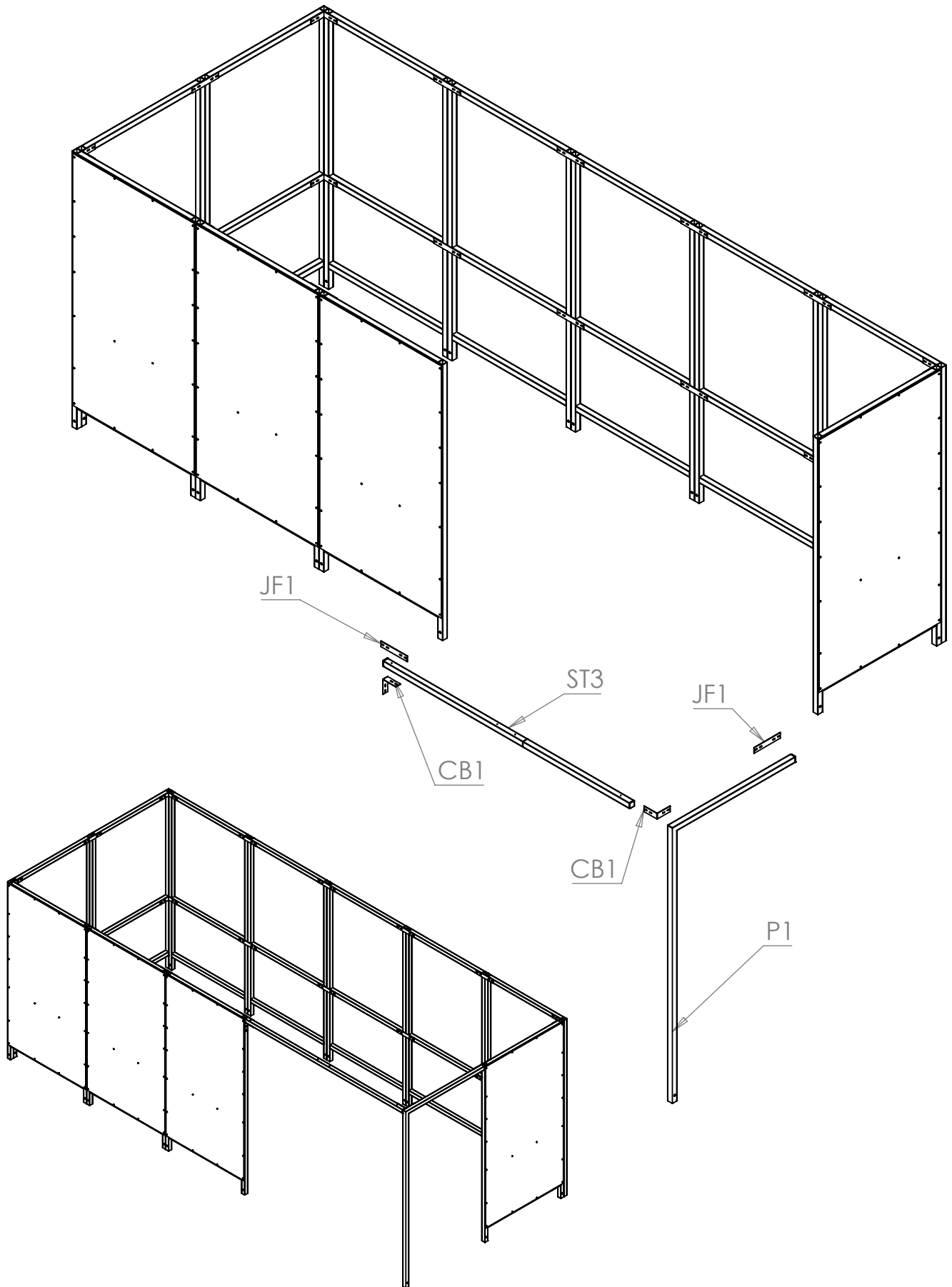


Check the dimension of the shelter to ensure correct alignment

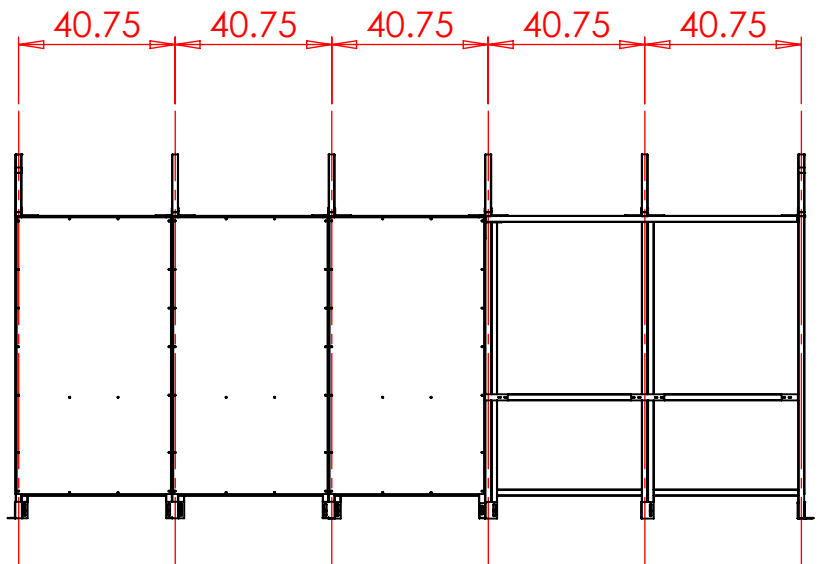
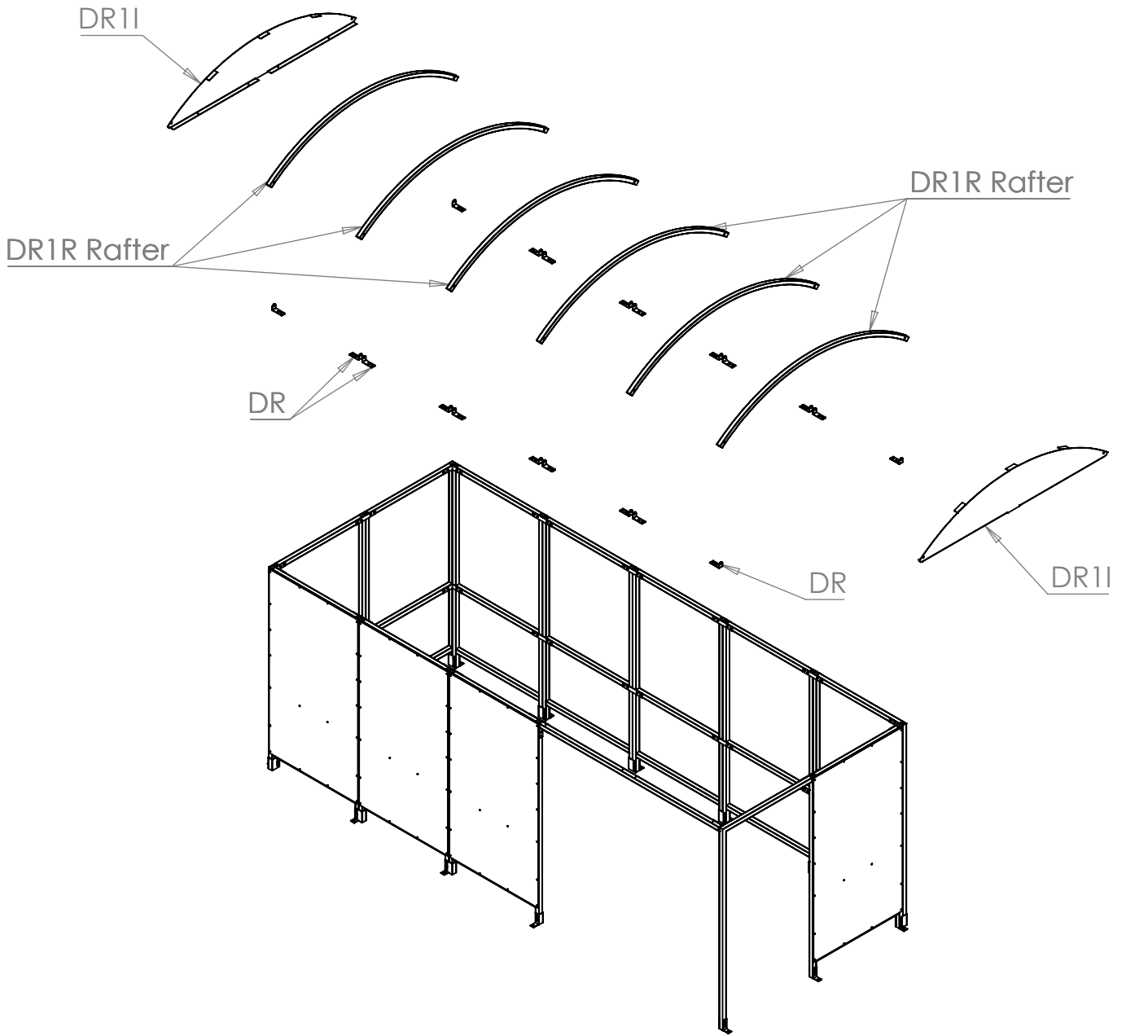
IMPORTANT: Make sure side frames are aligned as detailed below.



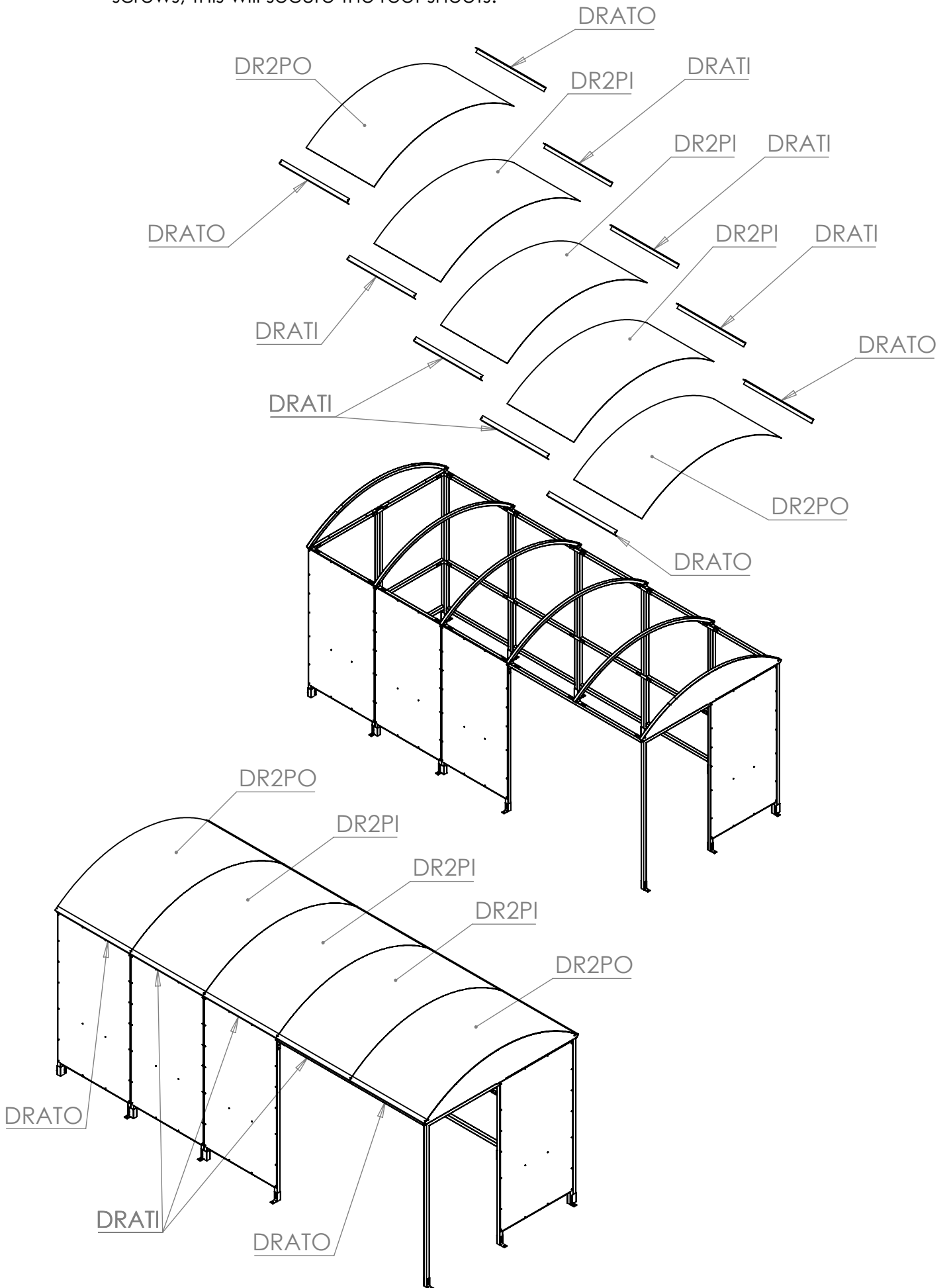
Step 2 Attach the **ST3** tie bar and **P1** post using **CB1** and **JF1** brackets.



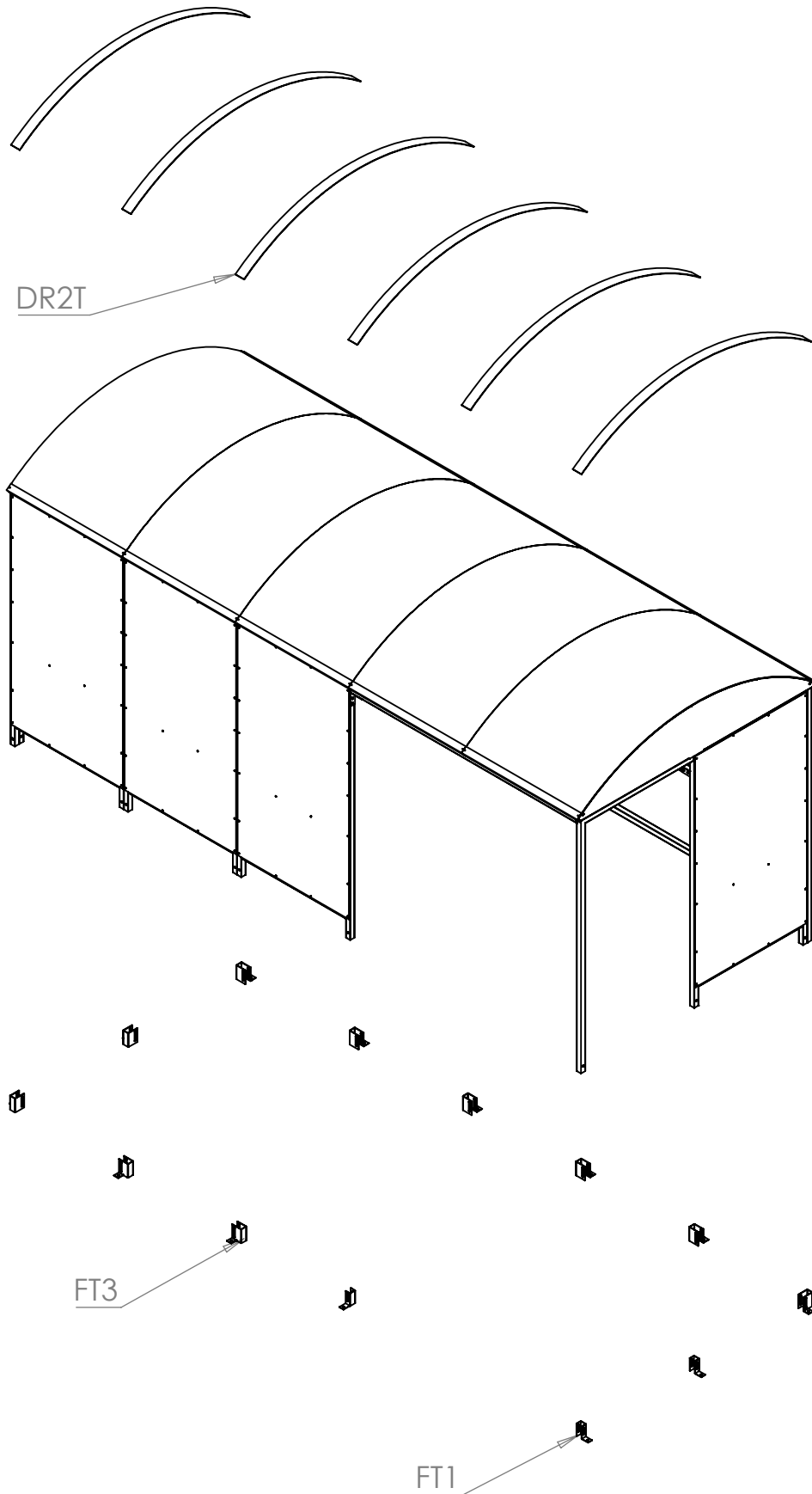
Step 3 Secure the **DR1R** roof rafters into place using the **DR** Brackets. The **DR1I** infill panels are screwed into place using 1" tech screws but must be placed into position at the same time as the end rafter.



Step 4 Line up the roof sheets **DR2PO/DR2PI** as shown below. Install the **DRATI** and **DRATO** Angle trims to the bottom of the roof panels and using the 1.5" Tech screws, this will secure the roof sheets.

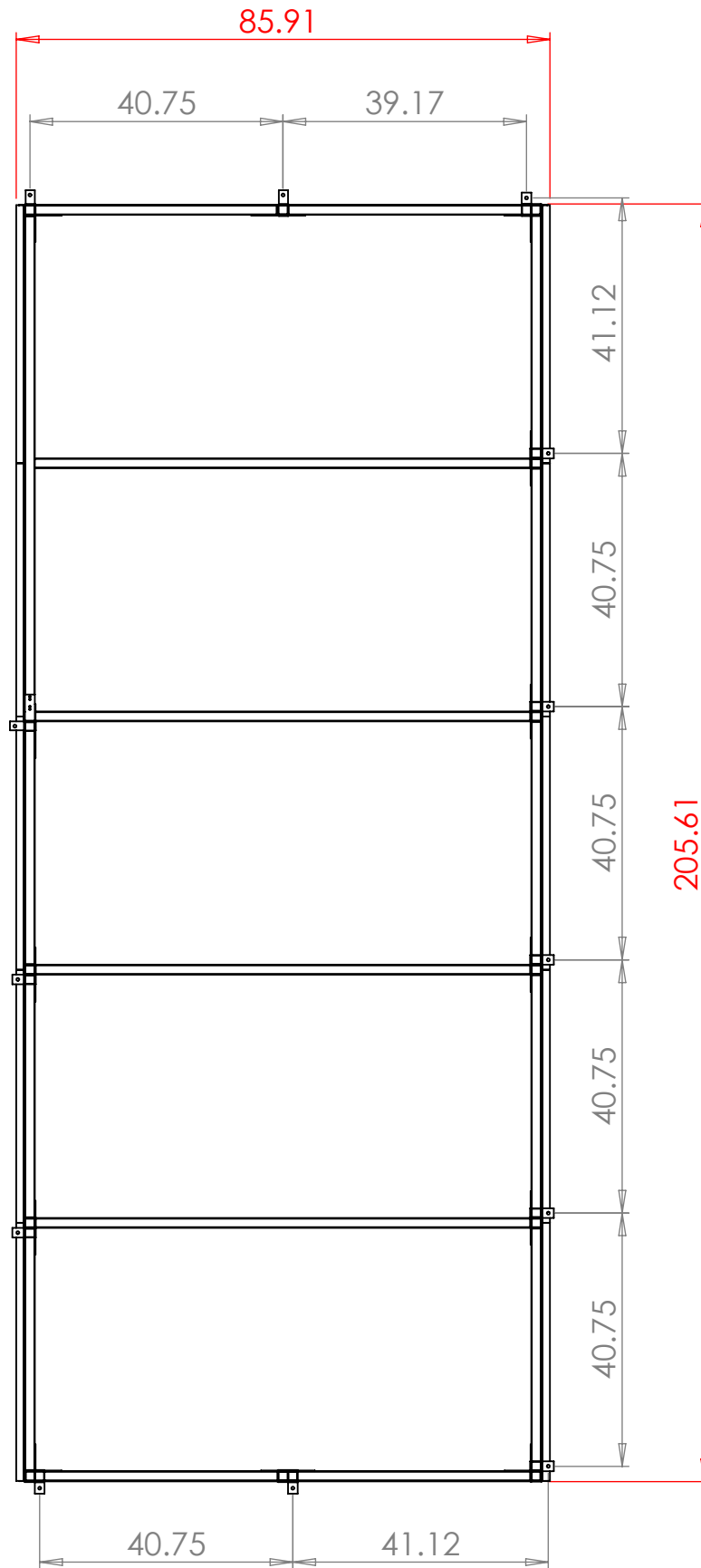


Step 5 Seal the central gaps and edges with the **DR1T** strips. Once the shelter is in its final position and squared up, attach the **FT1** and **FT3** foot brackets and use anchor bolts to attach to the ground. Finally fit the black plastic caps on exposed nuts and bolts.



Plan View

Suggested size for concrete base: 8 inch oversized on all 4 sides.



THANK YOU FOR PURCHASING THIS PRODUCT

MAINTENANCE:

To ensure your products give you many years of use we recommend that you:

- Clean panels regularly with soapy water
- Ensure all fittings are tight (for example after a big storm)
- Use metal paint to touch up any exposed metal should it get scratched

CONTACT DETAILS:

No Butts Bin Company, Inc.
16 Birch Lane, Madison, CT 06443

Email : Sales@nobutts.com

Web : www.nobutts.com

Tel : 1-888-662-8887

All Parts and Fixings checked by:	
Print Name:	Signature: