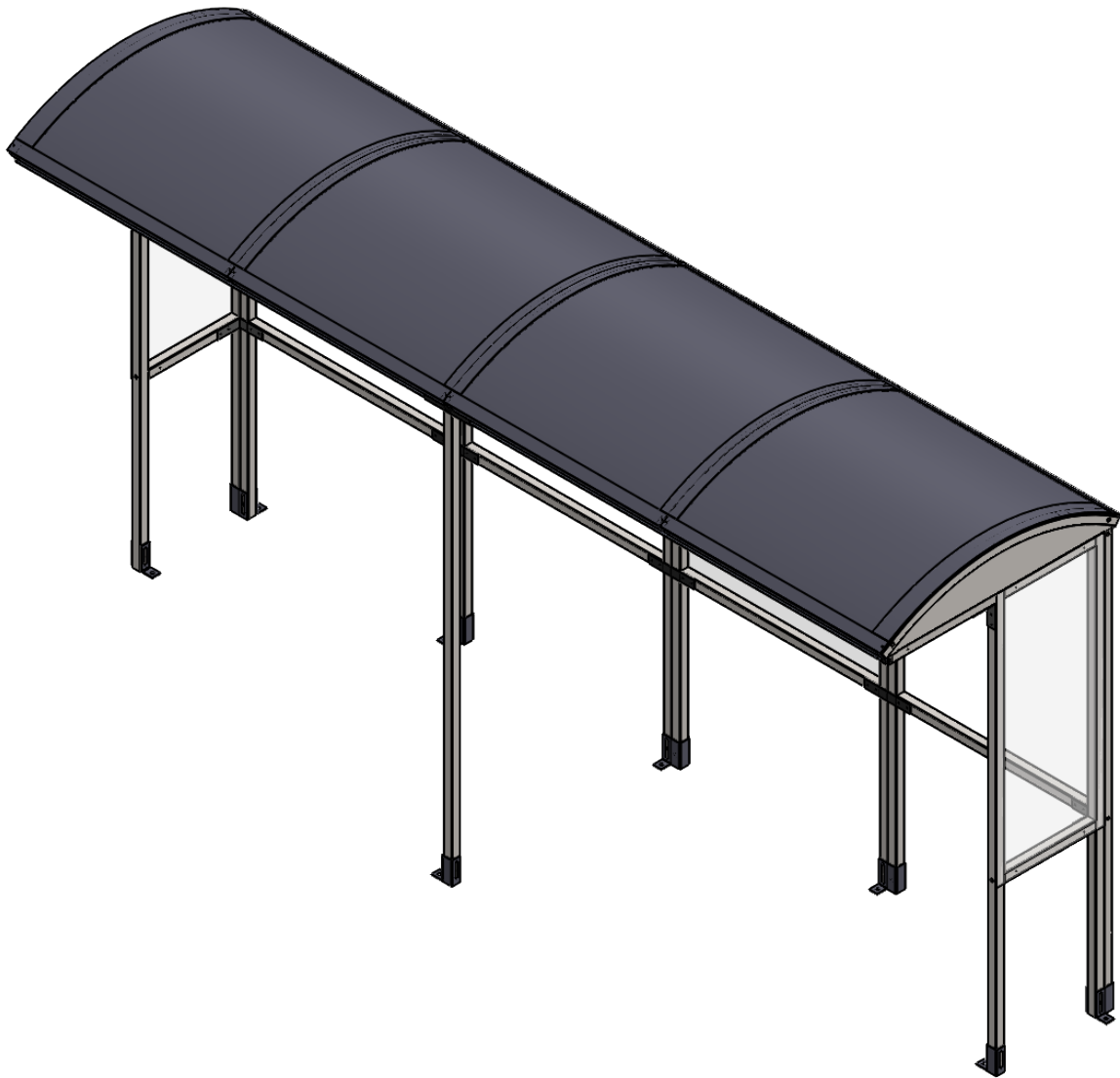


# Assembly Instructions



Email : [sales@nobutts.com](mailto:sales@nobutts.com)

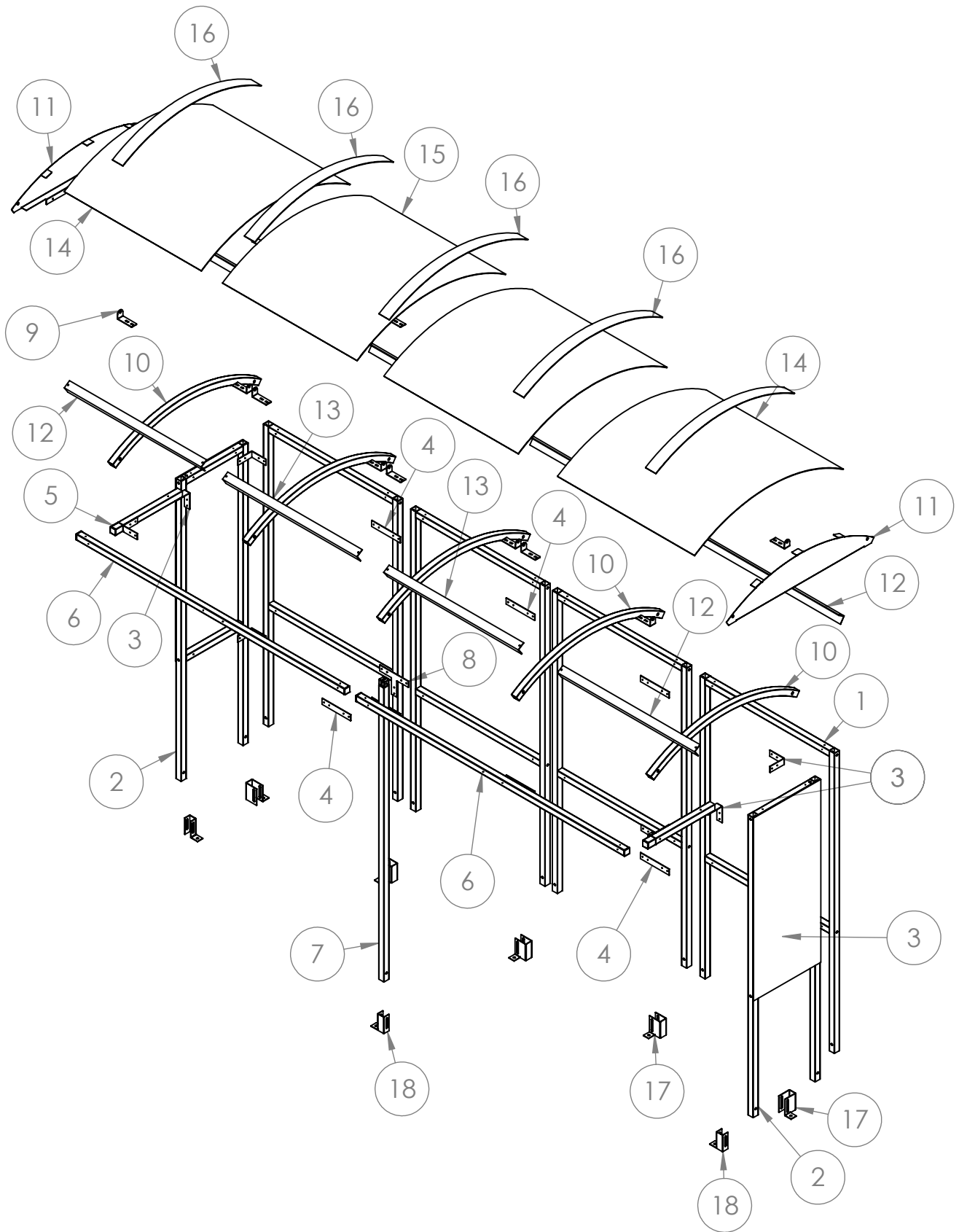
Web : [www.nobutts.com](http://www.nobutts.com)

Tel : 1-888-662-8887



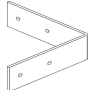

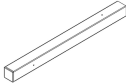

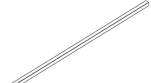
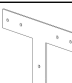
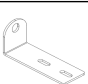


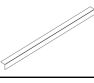
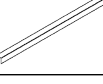


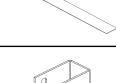

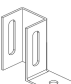
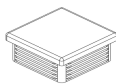
**Shelter Type: SR8297**

SR8297-01-07022022-USA

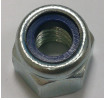




# EXPLODED VIEW



## PARTS LIST

ITEM NO.	PART NO.	DESCRIPTION	Size (inch)	IMAGE	QTY.
1	S1	Frame	78.74 x 40.74		4
2	S3	Frame	78.74 x 20.3		2
3	CB1	Corner Bracket	4.3 x 4.3 x 1.6		8
4	JF1	Straight Bracket	8.7 x 1.6		7
5	ST15	ST15 ROOF TIE BAR	20.15 x 1.57 x 1.57		2
6	ST3	Roof Tie	81.1 x 1.57 x 1.57		2
7	P5	P5 POST	77.15 x 1.57 x 1.57		1
8	JFT	Bracket	8.66 x 5.9		1
9	DR	Rafter Bracket	4.3 x 1.6 x 2		16
10	DR1R	Rafter	45		5
11	DR1I	Infill Panel	44.6 x 7.9		2
12	DRATO	DR Ally-Angle Trim Outer	2 x 2 x 41.5		4
13	DRATI	DR Ally-Angle Trim Inner	2 x 2 x 40.75		4
14	DR1PO	Roof Panel Outer	47.7 x 41.5		2
15	DR1PI	DR1 Roof Panel Inner	47.6 x 40.75		2
16	DR1T	Roof Trim	47.7 x 3.1		5
17	FT3	FT3 Bracket	1.57 x 3.15 x 4.17		5
18	FT1	Foot Bracket	4.3 x 3.9 x 1.6		3
19	EC40	Plastic end cap	1.6 x 1.6		6

# FIXINGS

Fittings	Bolt set M10			T25	T38		BTANCM12100
	M10 x 60mm	Nut	Washer	1" Tech screw	1.5" Tech screw	Black Caps	M10/12 x 100 mm Concrete Bolt
Pack A+B	33	33	66	136	40	66	11
Image							



Drill/Screwdriver

## Tools required:



17mm Wrench



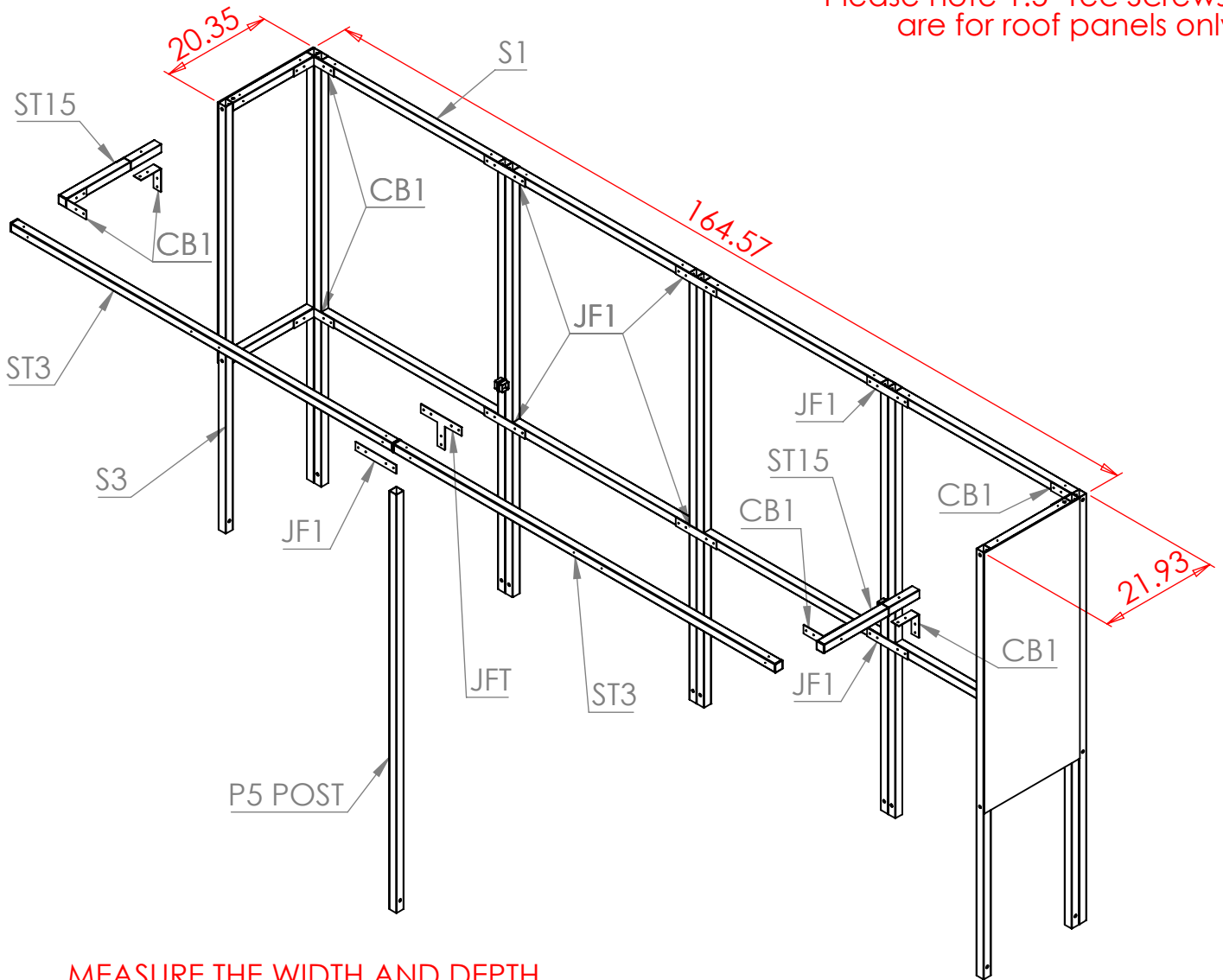
Mallet



T25 Torx bit

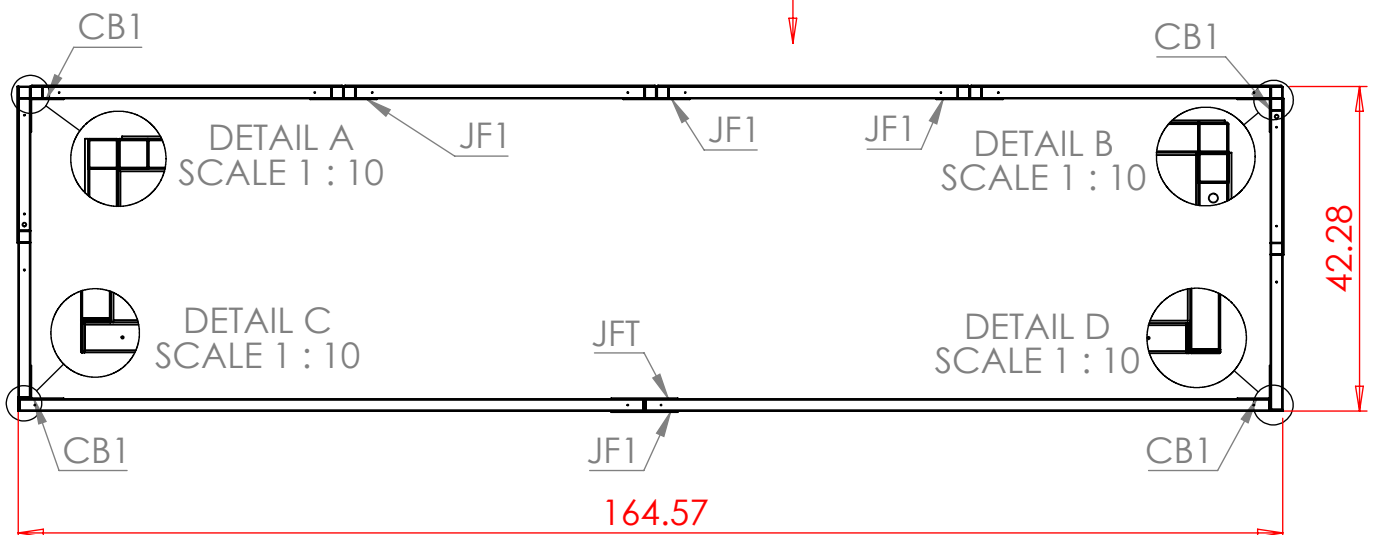
**Step 1** Assemble **S1** and **S3** frames to make up the main structure using **CB1** brackets for the corners and **JF1** brackets for the straight joints. Attach **ST15** tie bars, the **ST3** Tie bars and the **P5** post using **CB1**, **JF1** and **JFT** brackets as shown below.

Please note 1.5" Tec Screws are for roof panels only



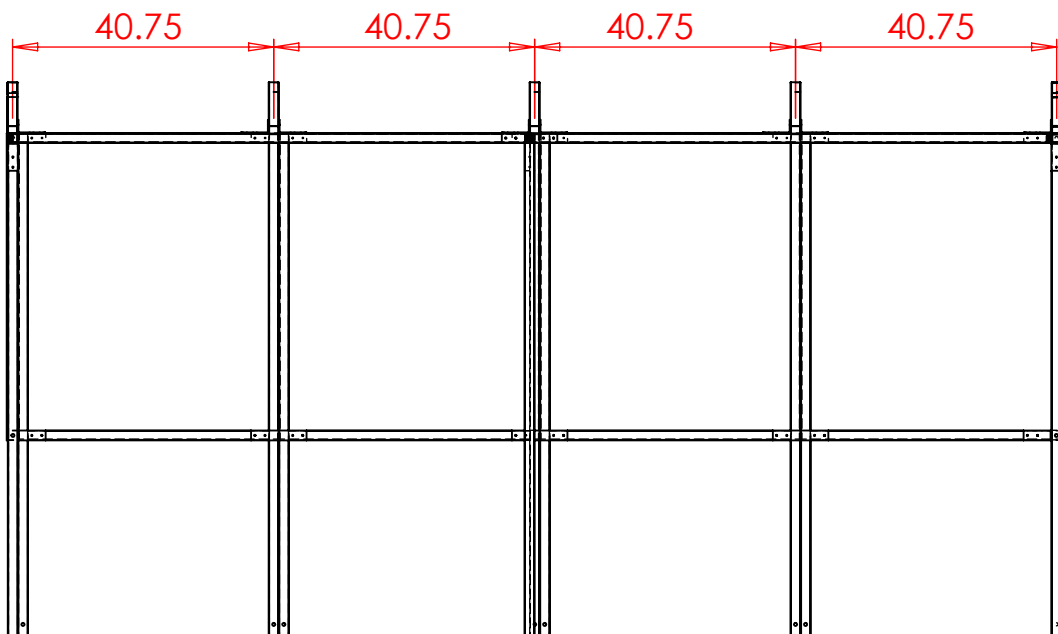
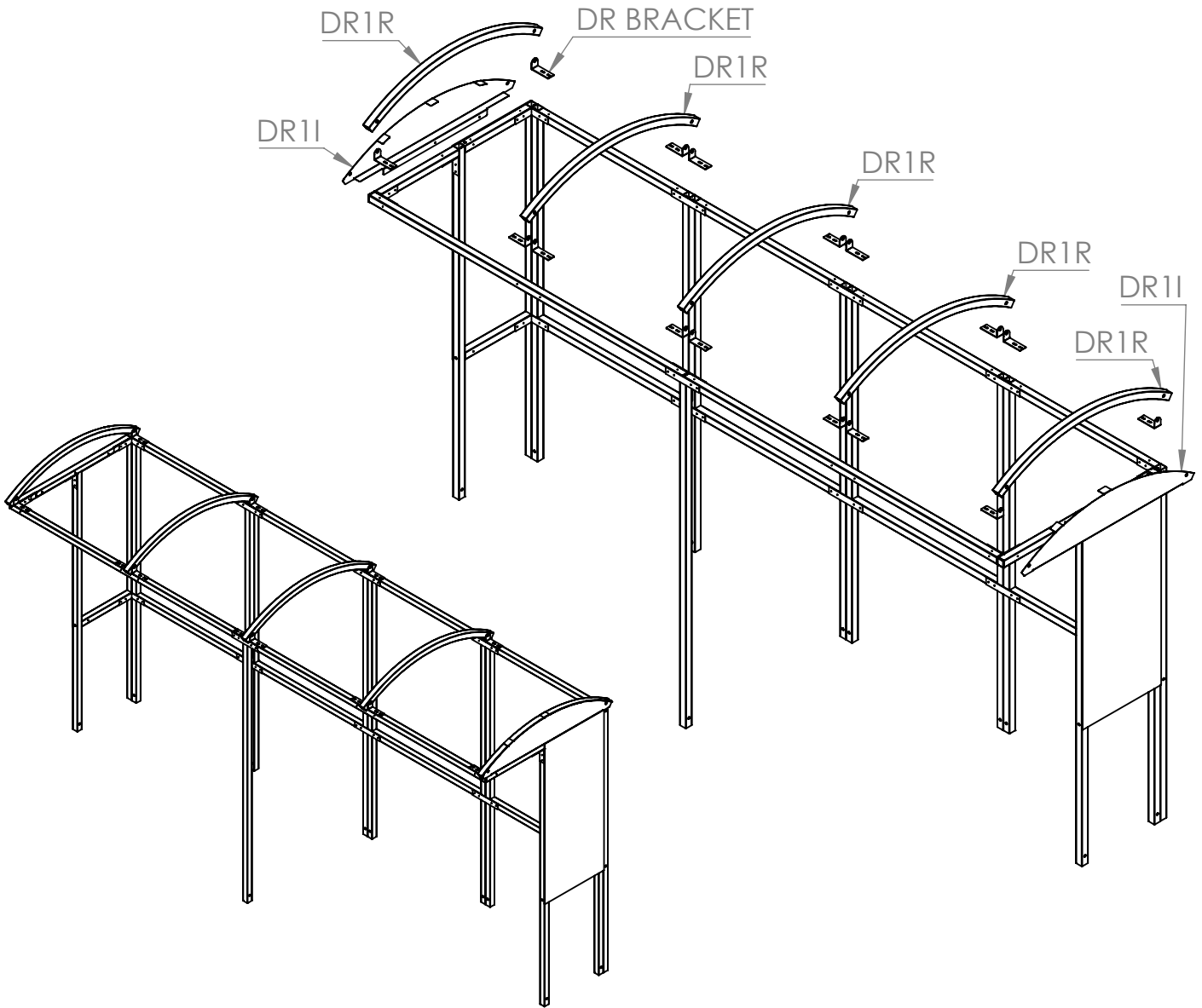
MEASURE THE WIDTH AND DEPTH OF THE SHELTER TO CHECK CORRECT ALIGNMENT.

ENSURE CORRECT ALIGNMENT ON CORNERS



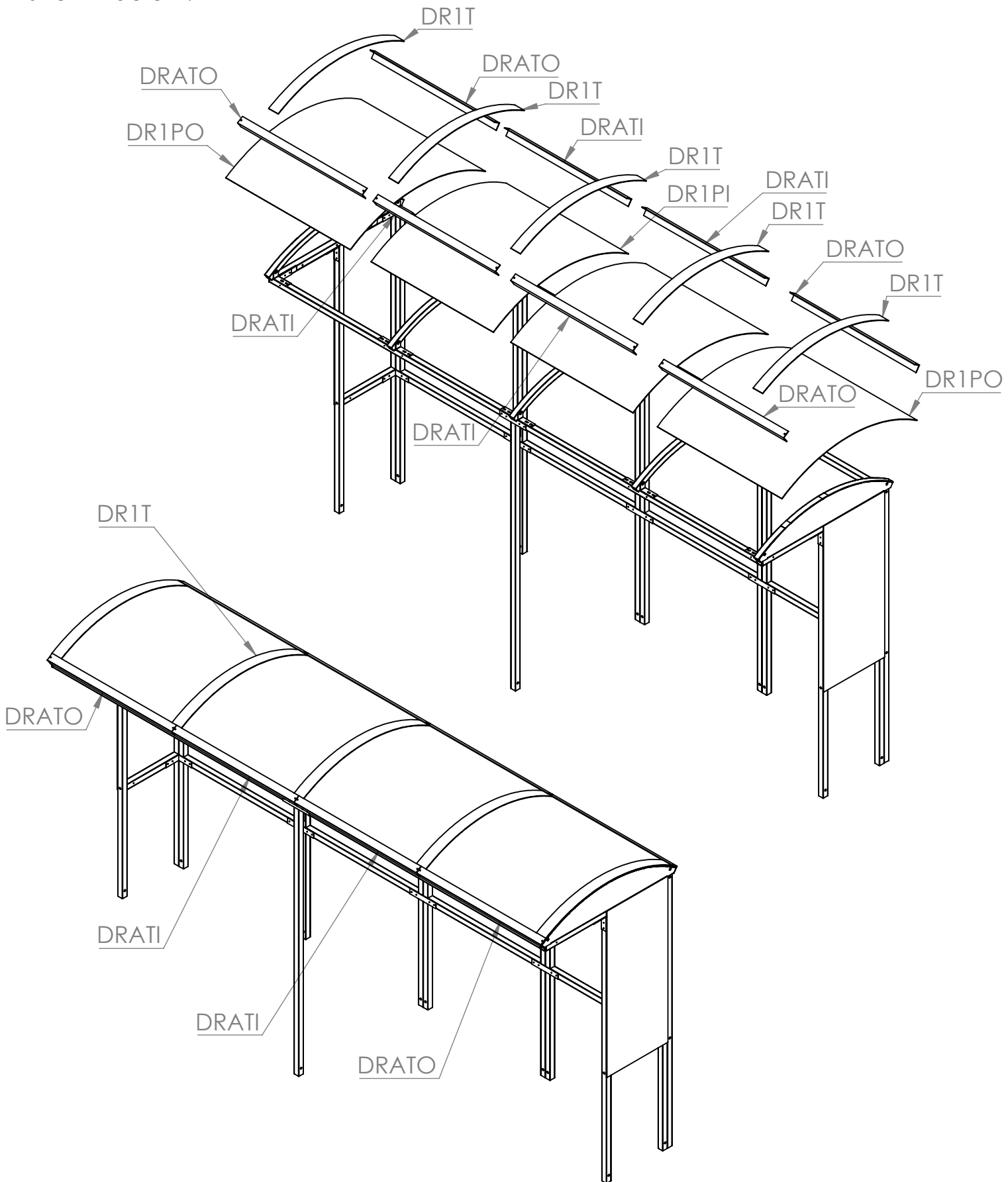
## Step 2

Attach **DR1R** rafters using **DR** brackets. Secure the **END PANELS (DR1I)** to frames using tech screws. The end rafters need to be placed in position at the same time as the **DR1I**.



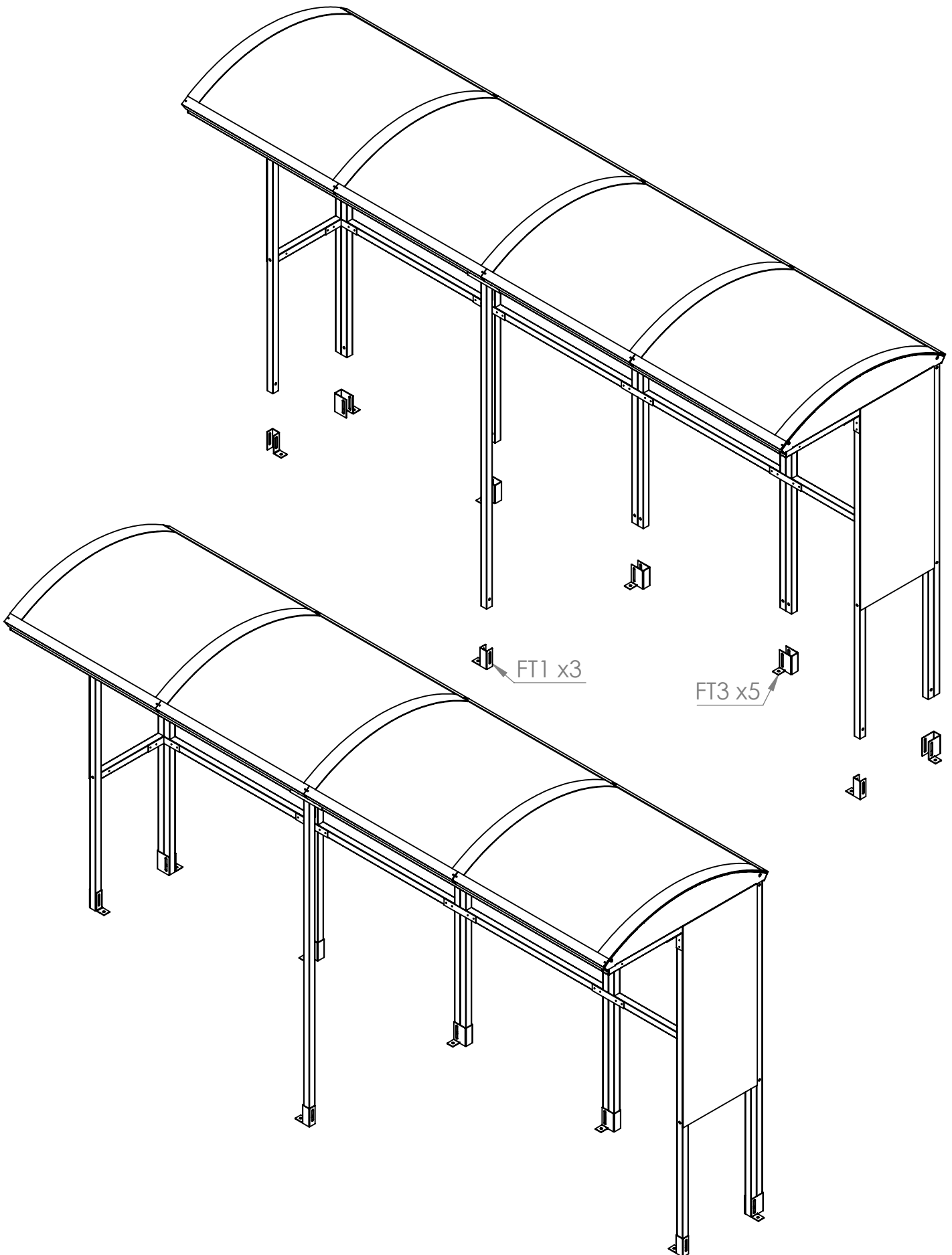
### Step 3

Align the **DR1PO** and **DR1PI** on the rafters with the **DR1PO** on either end and the **DR1PI** in the centre. Seal the gap between the panels using the **DRIT** strips. Then attach the **DRATO** and **DRATI** parts to the lower part of the rafters as shown below.



## Step 4

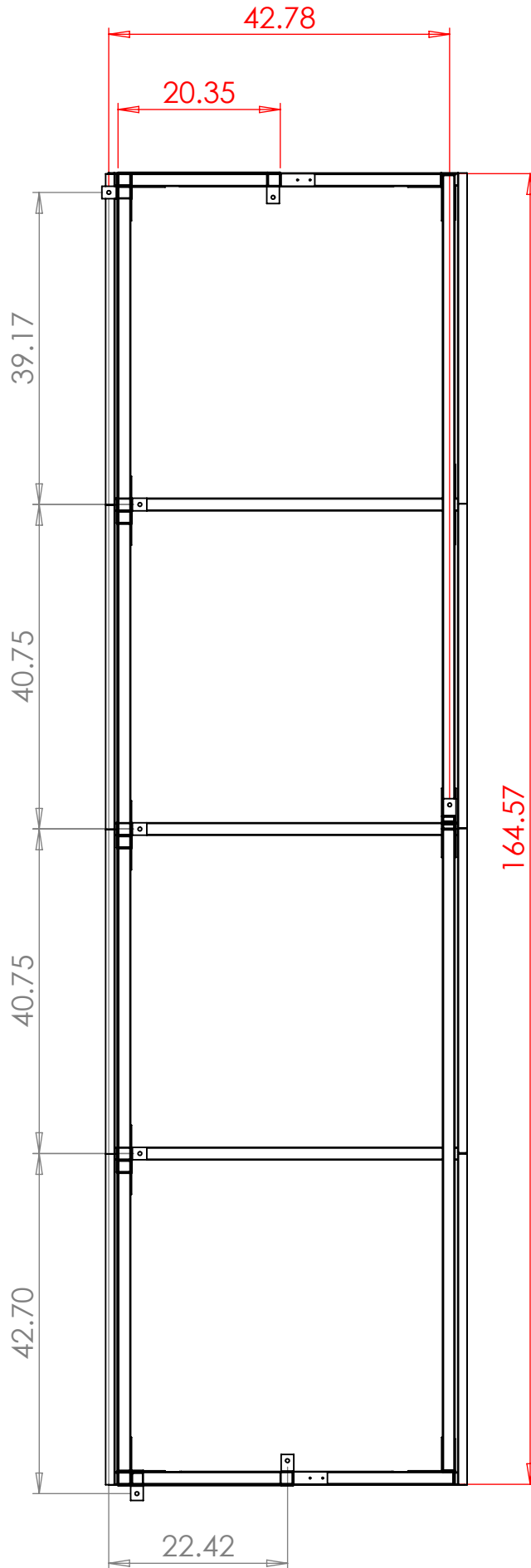
Move the shelter into its desired position and attach the foot brackets **FT1/FT3** before fixing it to the ground using the concrete bolts.





# PLAN VIEW

OVERALL DIMENSIONS AND GROUND FIXING POSITIONS  
Suggested size for concrete base: 8" oversized on all 4 sides.



# THANK YOU FOR PURCHASING THIS PRODUCT

## MAINTENANCE:

To ensure your products give you many years of use we recommend that you:

- Clean panels regularly with soapy water
- Ensure all fittings are tight (for example after a big storm)
- Touch up any exposed metal should it get scratched

## CONTACT DETAILS:

Email : [Sales@nobutts.com](mailto:Sales@nobutts.com)

Web : [www.nobutts.com](http://www.nobutts.com)

Tel : 1-888-662-8887

No Butts Bin Company, Inc. 16 Birch Lane, Madison, CT 06443

<b>All Parts and Fixings checked by:</b>	
Print Name:	Signature: