

# Assembly Instructions



Email : [sales@nobutts.com](mailto:sales@nobutts.com)

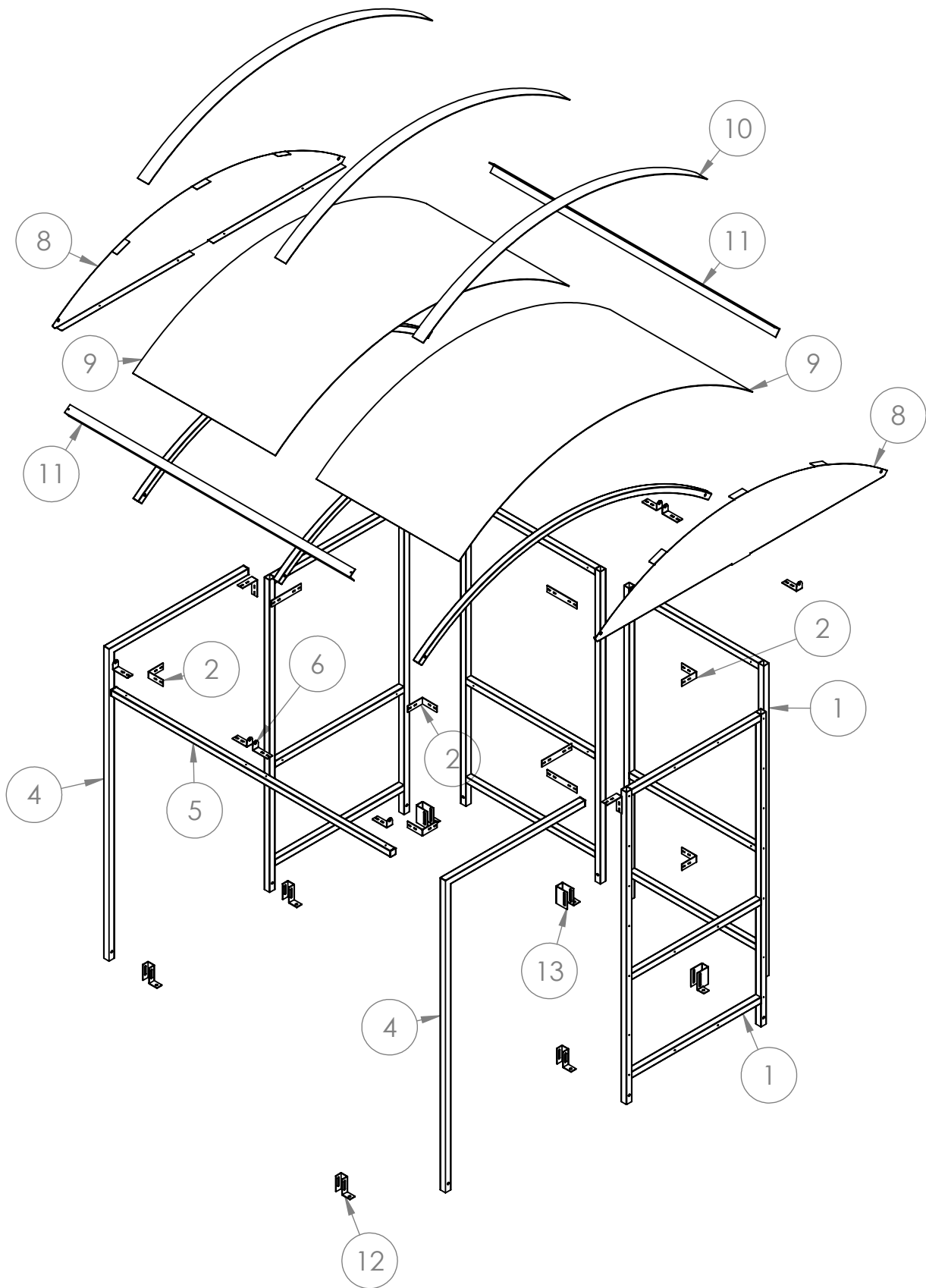
Web : [www.nobutts.com](http://www.nobutts.com)

Tel : 1-888-662-8887


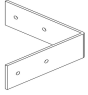
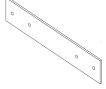
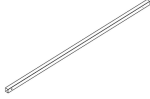

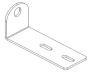


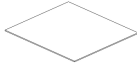

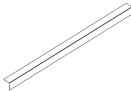
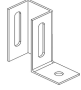

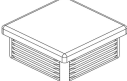
**Shelter Type: SR8298-F**

SR8298-F-01-28102021-USA


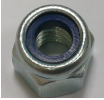
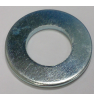




# EXPLODED VIEW



## PARTS LIST

ITEM NO.	PART NO.	DESCRIPTION	Size (inch)	IMAGE	QTY.
1	S1C	S1 - Full Frame - SRC	78.74 x 40.74		4
2	CB1	Corner Bracket - CB1	4.3 x 4.3 x 1.57		8
3	JF1	Joint Flat - JF1	4.33 x 1.57		4
4	P1	Post Frame - P1	78.74 x 40.74		2
5	ST3	Roof Tie	81.1 x 1.57 x 1.57		1
6	DR	Rafter Bracket	4.3 x 1.6 x 2		8
7	DR2R	DR2R Rafter	92.32		3
8	DR2I	DR2 infill panel	85 x 15.75		2
9	DR2PO	DR2 Roof Panel Outer	92.32 x 41.54		2
10	DR2T	DR2 Roof Trim	92.32 x 3.15		3
11	DRAT2	Ally-Angle Trim 2M	2 x 2 x 83		2
12	FT1	FT1 BRACKET	1.57 x 1.57 x 3.94		4
13	FT3	FT3 Bracket	1.57 x 3.15 x 4.17		3
14	EC40	Plastic end cap	1.6 x 1.6		4

# FIXINGS

Fittings	Bolt set M10			T25	T38		BTANCM12100
	M10 x 60mm	Nut	Washer	1" Tech screw	1.5" Tech screw	Black Caps	M10/12 x 100 mm Concrete Bolt
Pack A+B	33	33	66	136	40	66	11
Image							



Drill/Screwdriver

## Tools required:



17mm Wrench

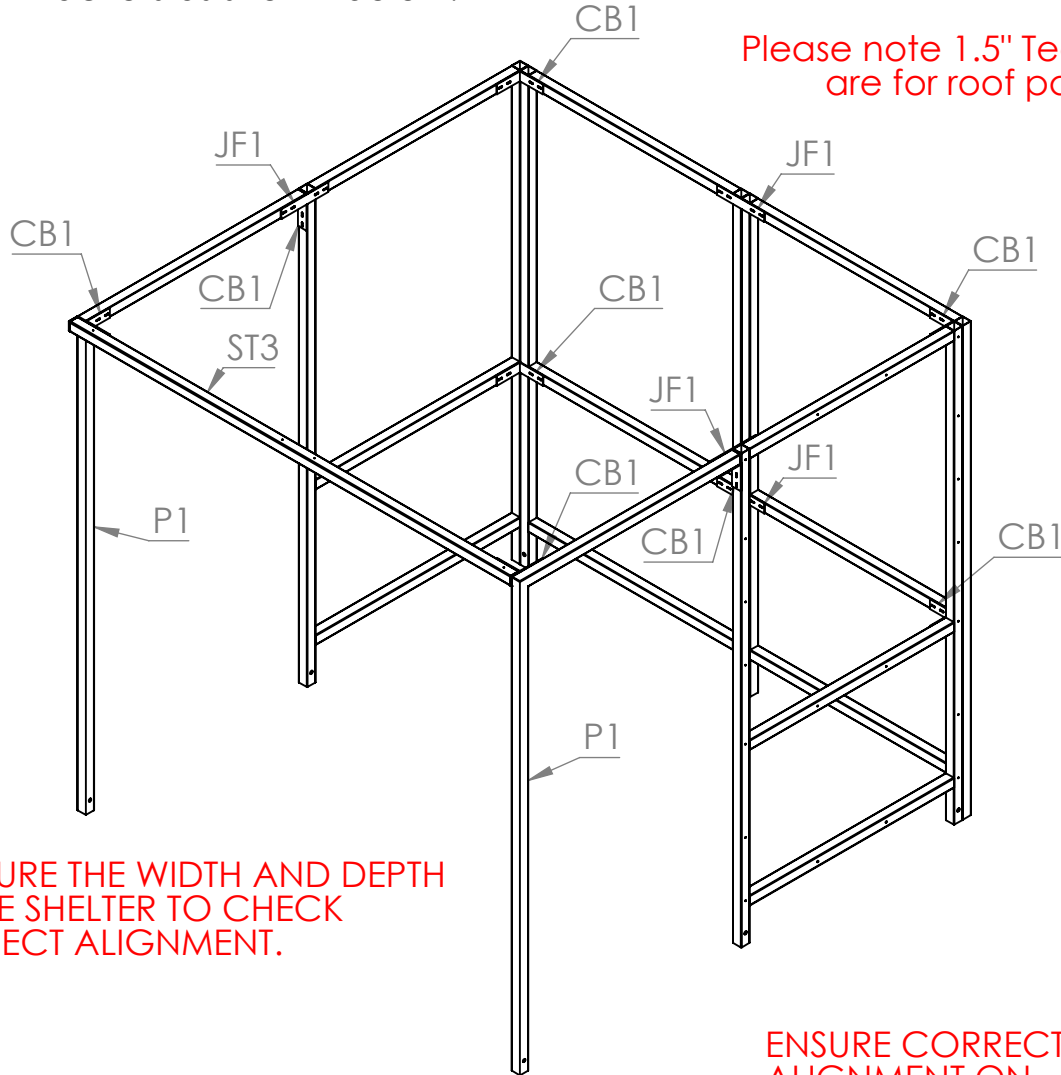


Mallet



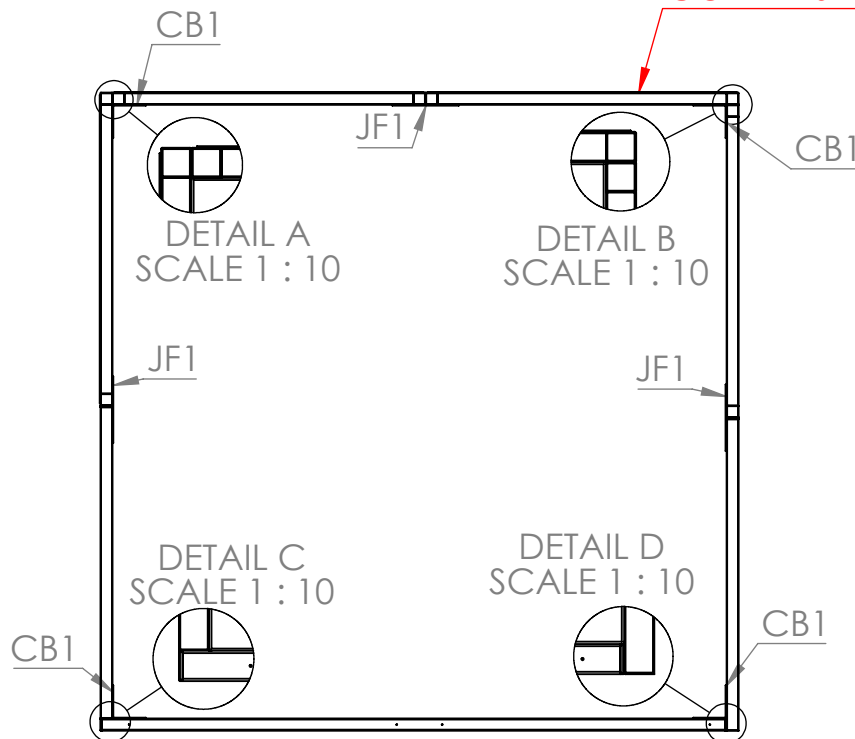
T25 Torx bit

**Step 1** Assemble **S1C** frames to make up the main structure using **CB1** brackets for the corners and **JF1** brackets for the straight joints. Attach **P1** post to the S1C Frame using **CB1** and **JF1** brackets as shown below.



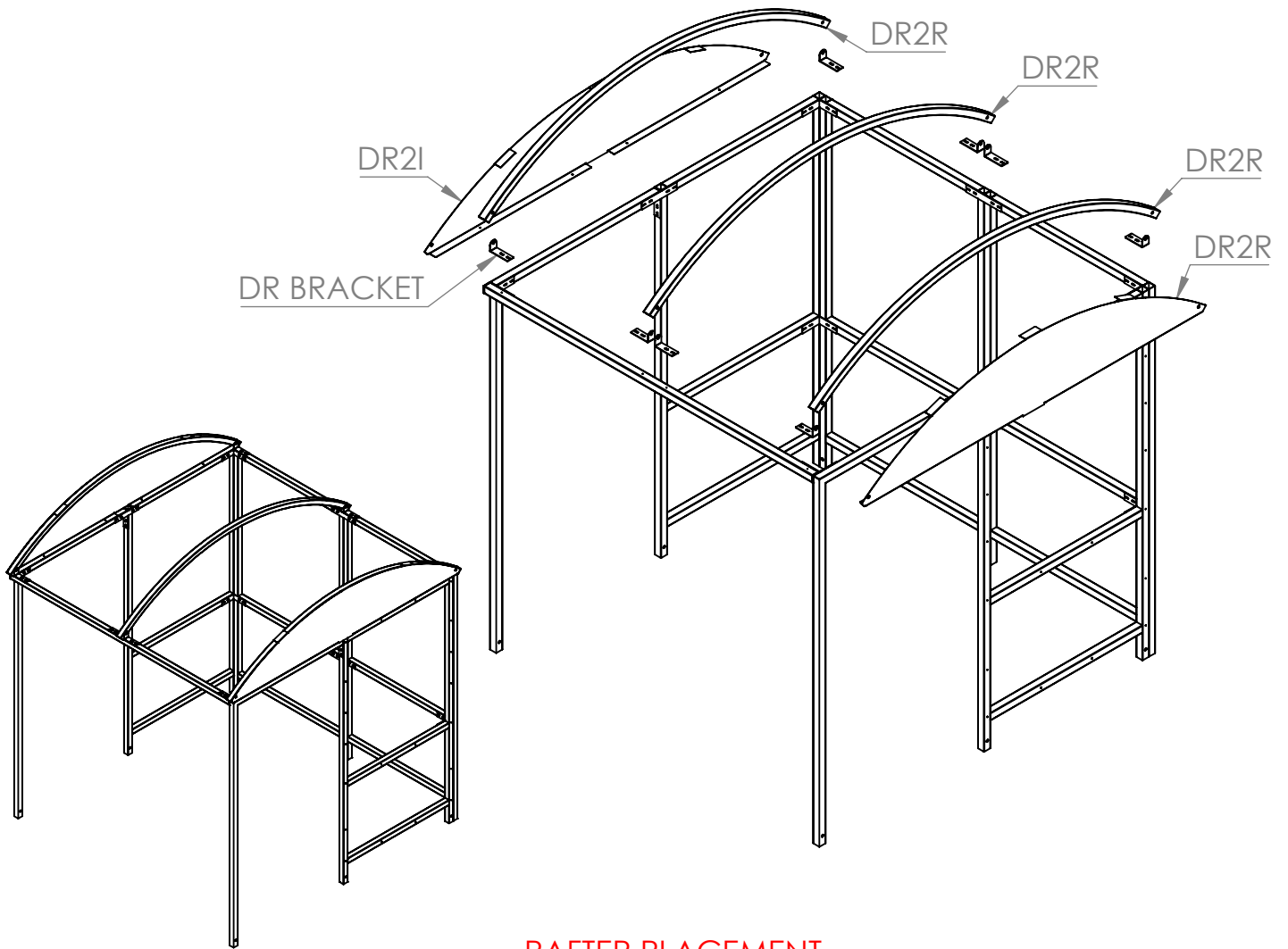
MEASURE THE WIDTH AND DEPTH OF THE SHELTER TO CHECK CORRECT ALIGNMENT.

ENSURE CORRECT ALIGNMENT ON CORNERS

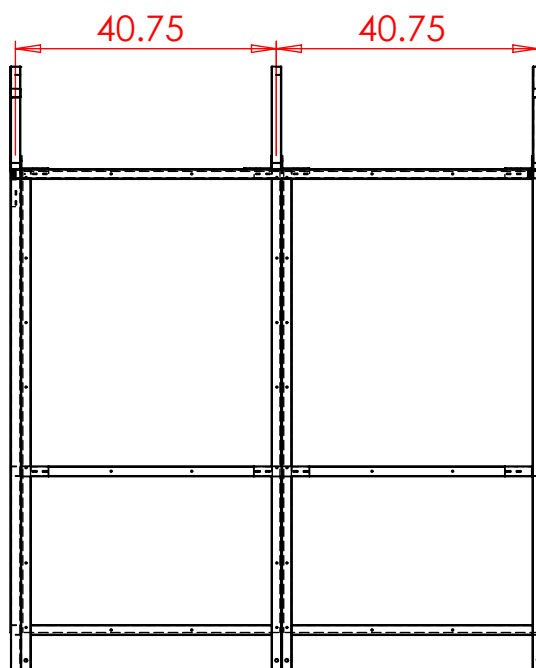


## Step 2

Attach **DR2R** rafters using **DR** brackets. Secure the **END PANELS (DR2I)** to frames using tec screws. The end rafters need to be placed in position at the same time as the **DR2I**

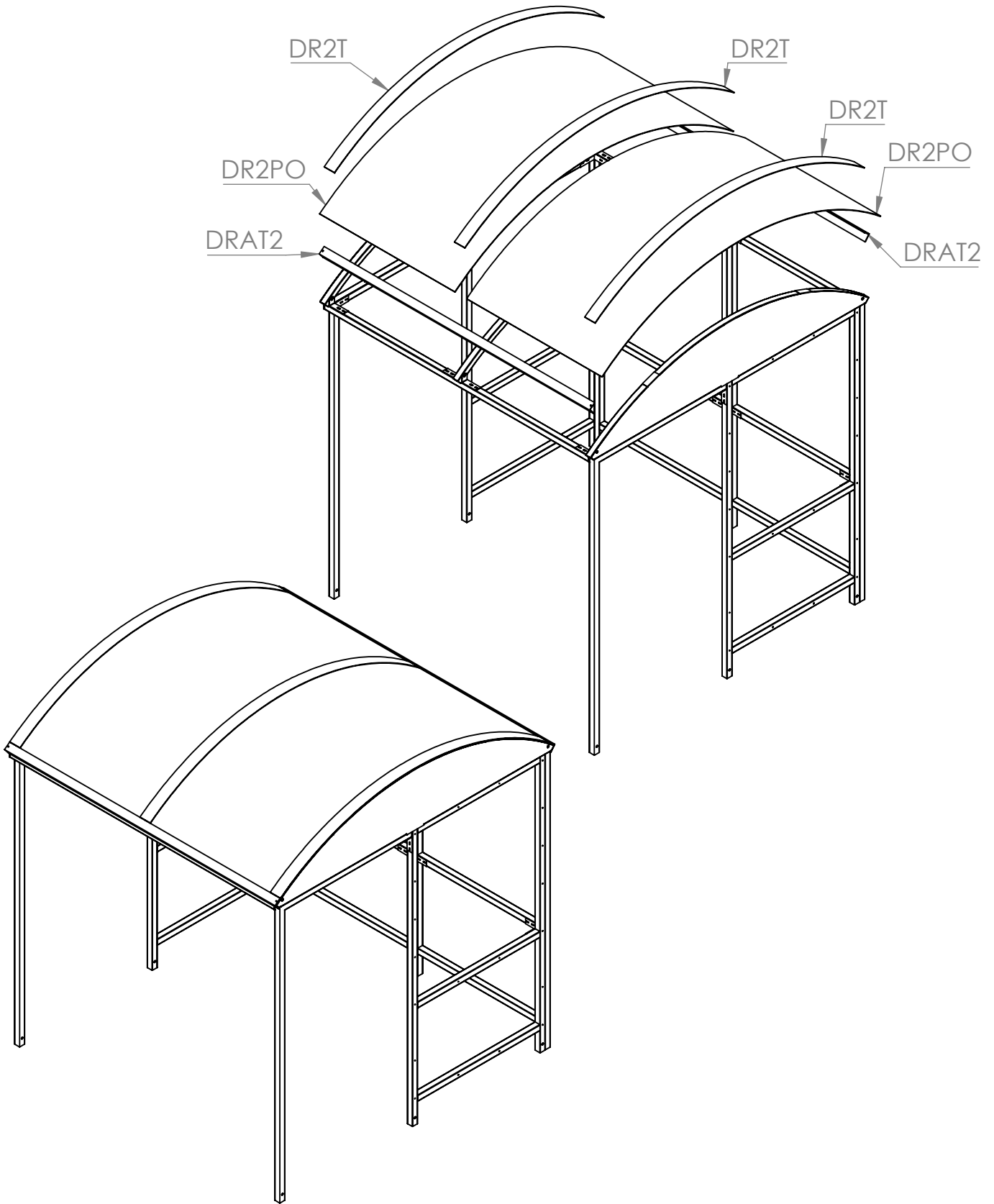


### RAFTER PLACEMENT



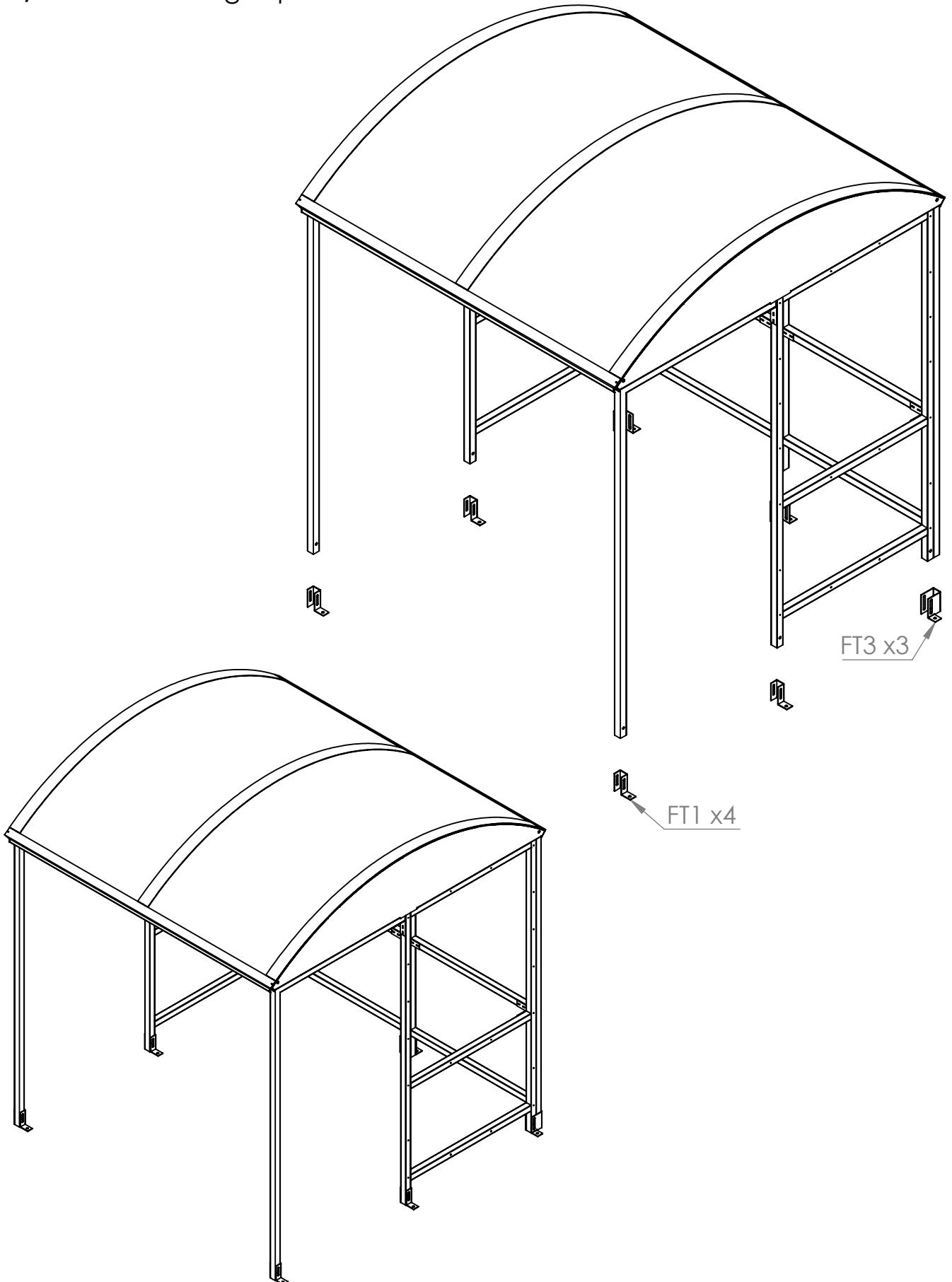
### Step 3

Attach the **DR2PO** to the top of the rafters. Seal the gap between the panels using the **DR2T** strips. Then attach the **DRAT2** Trim parts to the lower part of the rafters as shown below.



## Step 4

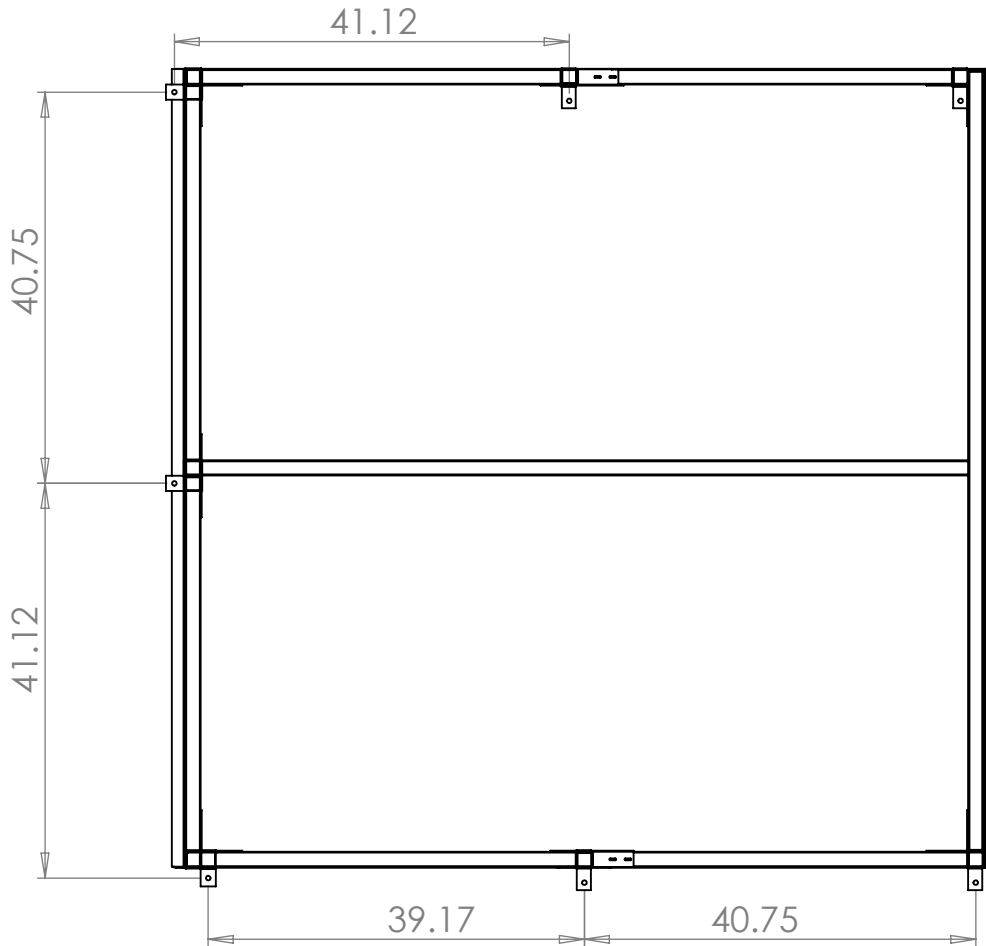
Move the shelter into its desired position and attach the foot brackets **FT1/FT3** before fixing in place.





## PLAN VIEW

OVERALL DIMENSIONS AND GROUND FIXING POSITIONS  
Suggested size for concrete base: 8" oversized on all 4 sides.



# THANK YOU FOR PURCHASING THIS PRODUCT

## MAINTENANCE:

To ensure your products give you many years of use we recommend that you:

- Clean panels regularly with soapy water
- Ensure all fittings are tight (for example after a big storm)
- Touch up any exposed metal should it get scratched

## CONTACT DETAILS:

Email : [Sales@nobutts.com](mailto:Sales@nobutts.com)

Web : [www.nobutts.com](http://www.nobutts.com)

Tel : 1-888-662-8887

No Butts Bin Company, Inc. 16 Birch Lane, Madison, CT 06443

<b>All Parts and Fixings checked by:</b>	
Print Name:	Signature: