

Assembly Instructions



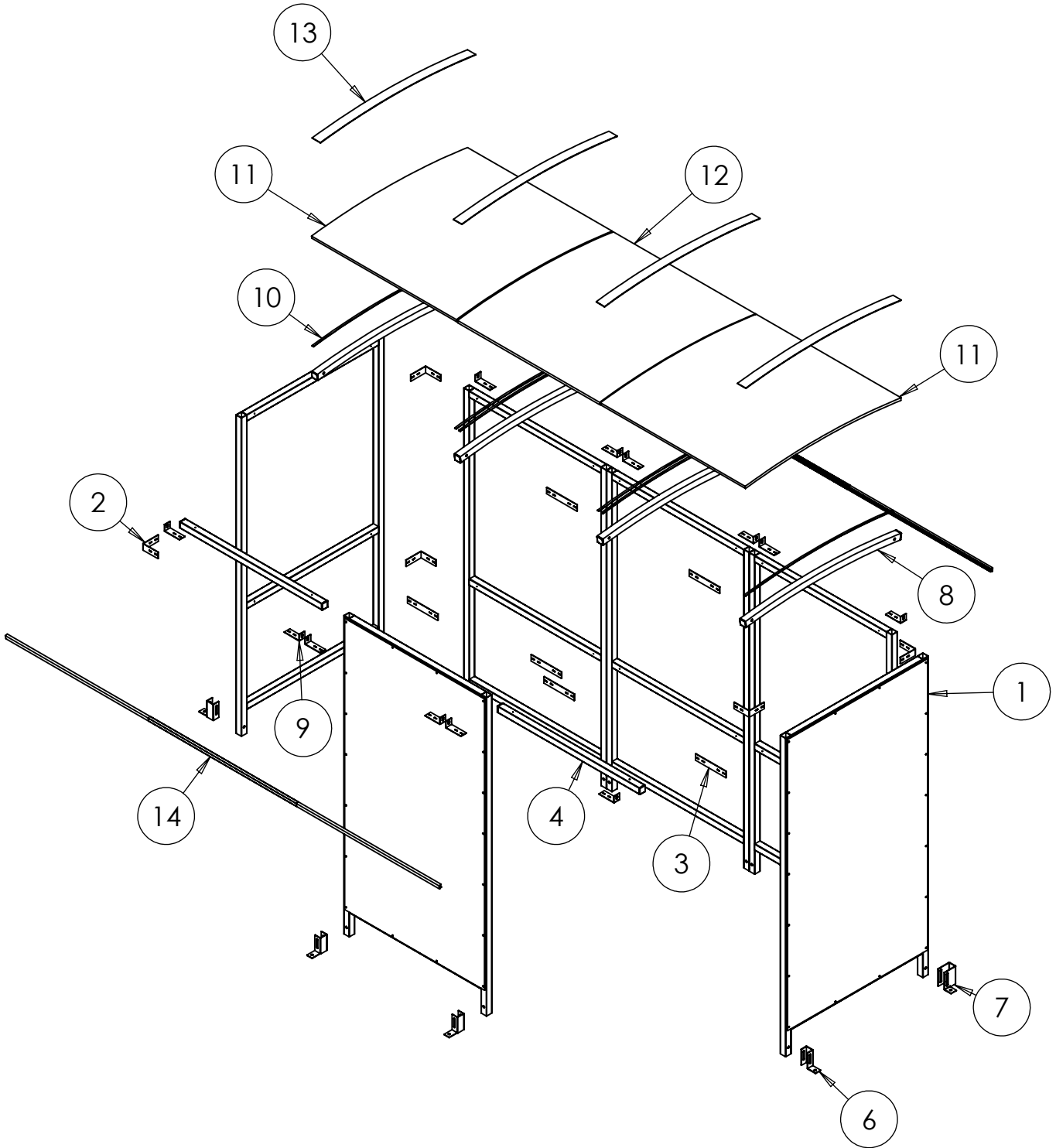
No Butts Bin Co.
Better Ash & Trash Solutions
Est. 1991

Email : Sales@nobutts.com
Web : www.nobutts.com
Tel : 1-888-662-8887

Product Code: SR1552-F

Doc. No.: SR1552-F-02-130219-USA

Exploded View



Tools required:

Drill/Screwdriver 


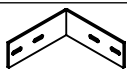
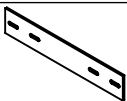


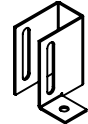

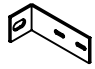

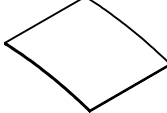
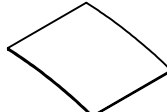
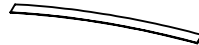
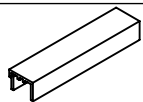

Mallet 








Hack saw 

Spanner 

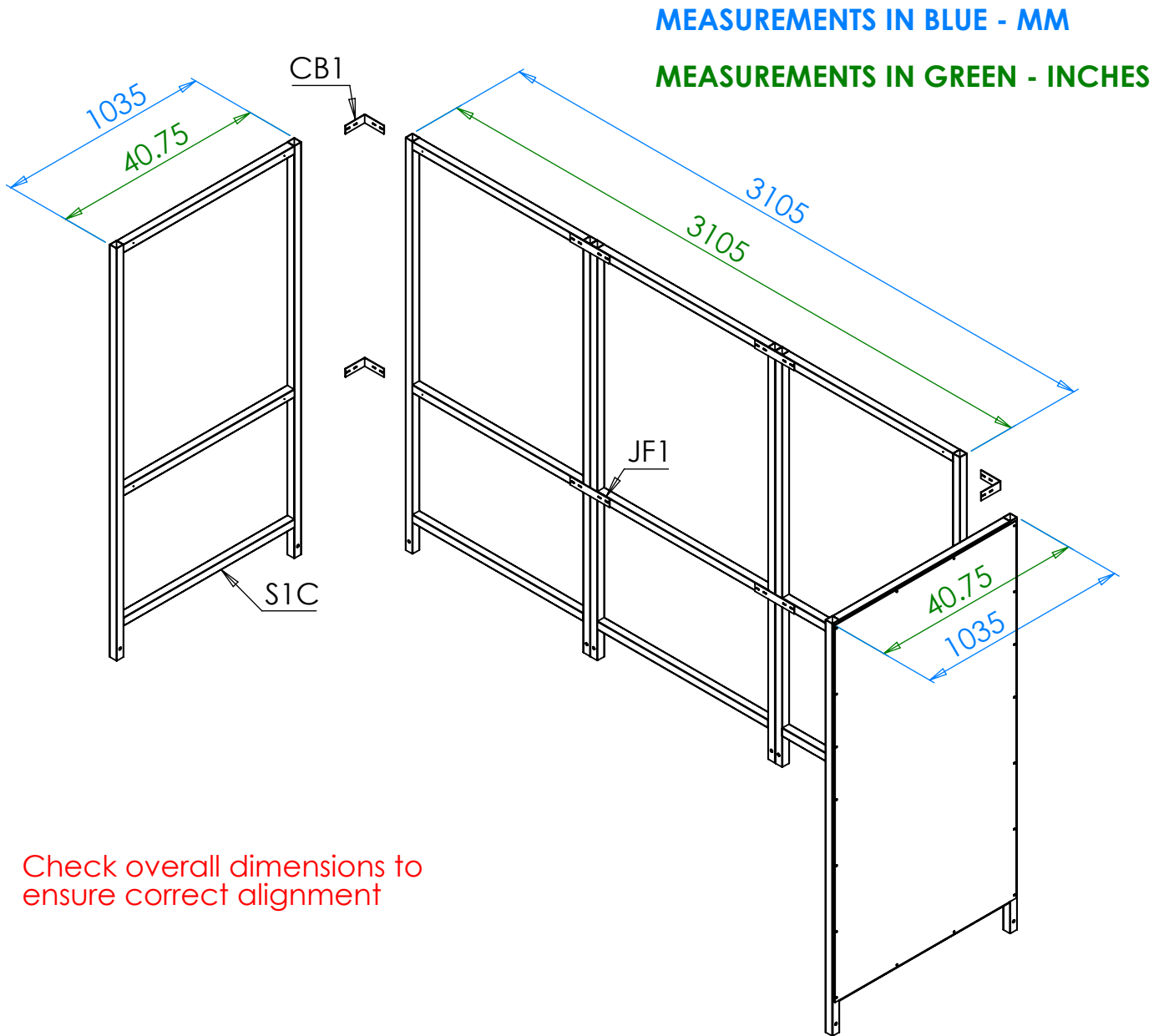
Torx bit 

PARTS LIST

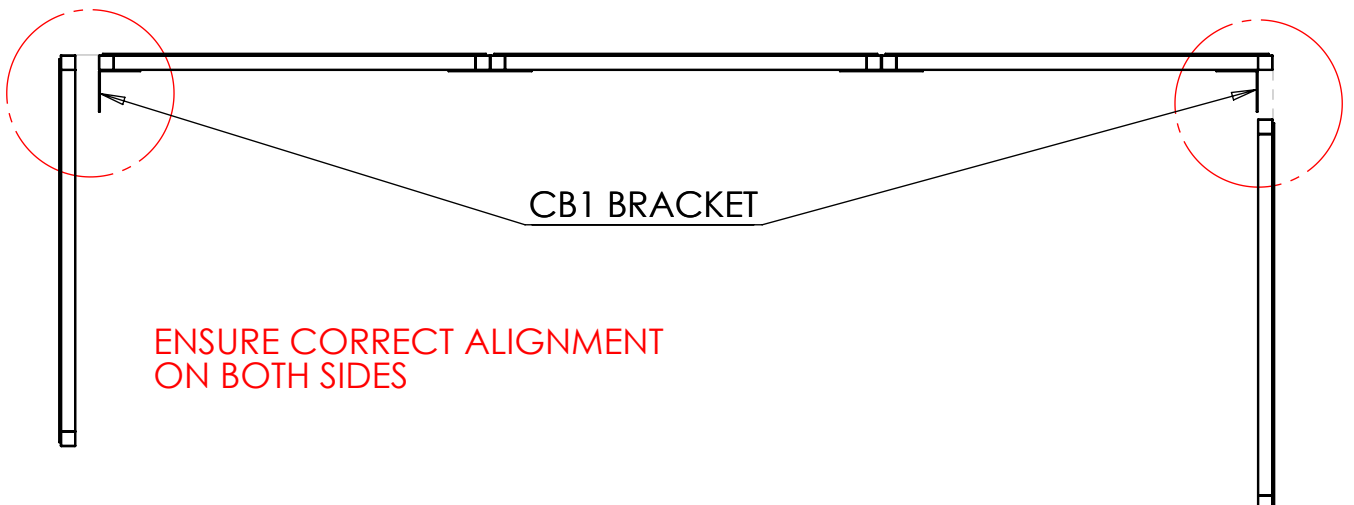
ITEM NO.	PART NO.	DESCRIPTION	DIMENSION (MM)	DIMENSION (INCHES)	IMAGE	QTY.
1	S1C	FRAME	2000x1035	78.74 x 40.55		6
2	CB1	BRACKET	110x110	4.33 x 4.33		6
3	JF1	BRACKET	220x40	8.66 x 1.58		6
4	ST1	ROOF TIE	1025x40x40	40.35 x 1.75 x 1.75		2
5	FT1	FOOT	109x100x40	4.29 x 3.93 x 1.57		4
6	FT3	FOOT	109x100x83	4.29 x 3.93 x 1.57		4
7	R1	ROOF RAFTER	1130x40x40	44.49 x 1.57 x 1.57		4
8	RB1	BRACKET	110x46	4.33 x 1.81		12
9	SS	SEALING STRIP	TRIM TO 1130	TRIM TO 44.49		2 ROLLS
10	PCE1	ROOF PANEL	1150x1050	45.28 x 41.34		2
11	PCC1	ROOF PANEL	1150x1030	45.28 x 40.55		1
12	RC1	ROOF STRIP	1130	44.49		4
13	2MD	ROOF EDGING	TRIM TO FIT	TRIM TO FIT		4
14	EC40	END CAP	40x40	1.57 x 1.57		12

Fitings	Bolt set M10			T25	T38		BTANCM12100
	M10 x 60 mm	Nut	Washer	25 mm Tech screw	38 mm Tech screw	Black Caps	M10/12 x 100 mm Concrete Bolt
Pack A	30	30	60	72	30	60	8
Required	16	16	32	32	72	24	8
Image							

Step 1 Assemble main structure **S1C Frames** using **CB1** and **JF1** Brackets.

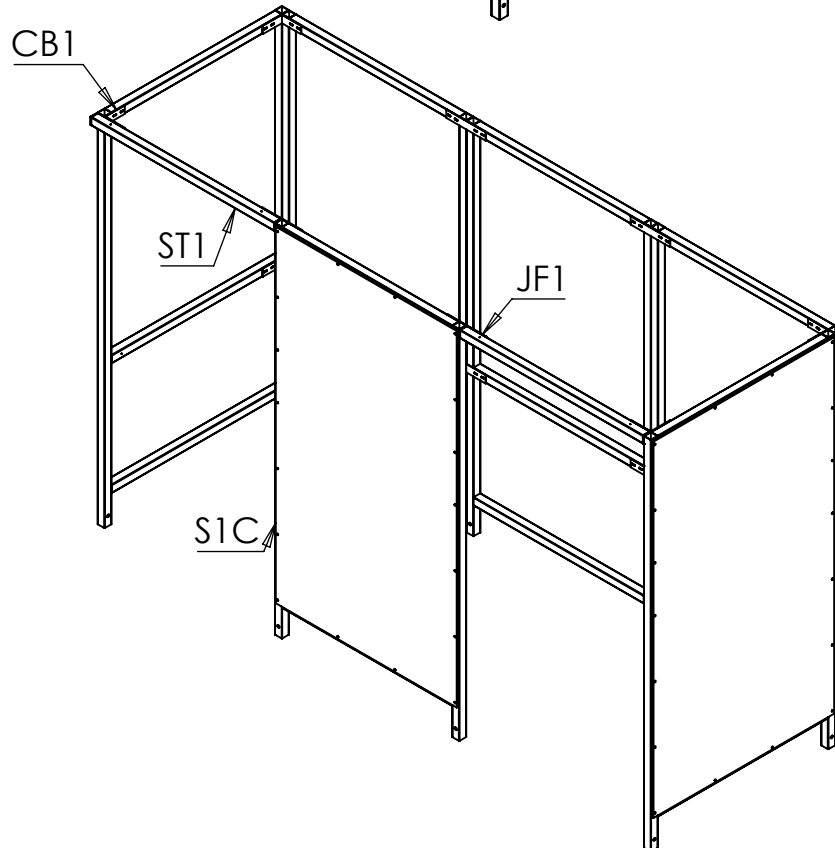
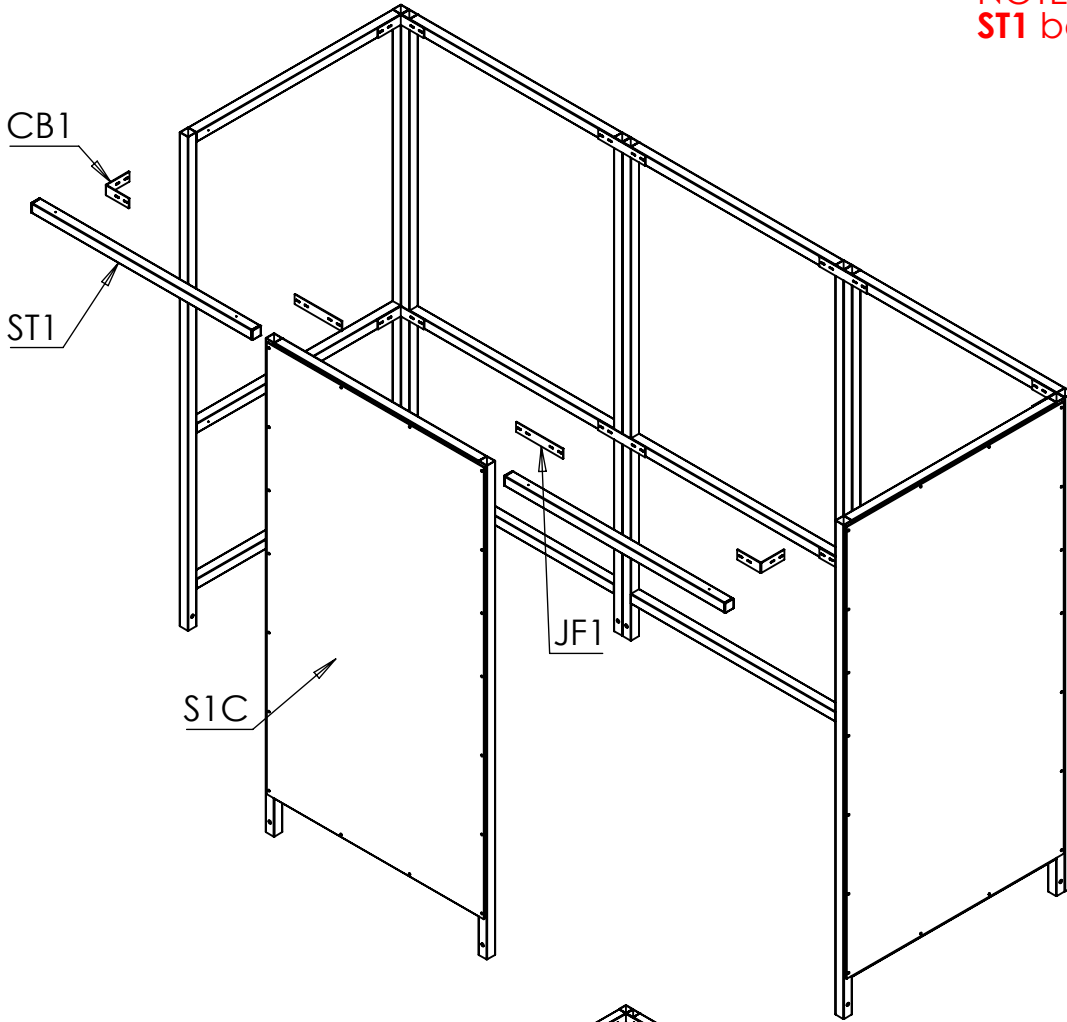


Check overall dimensions to ensure correct alignment

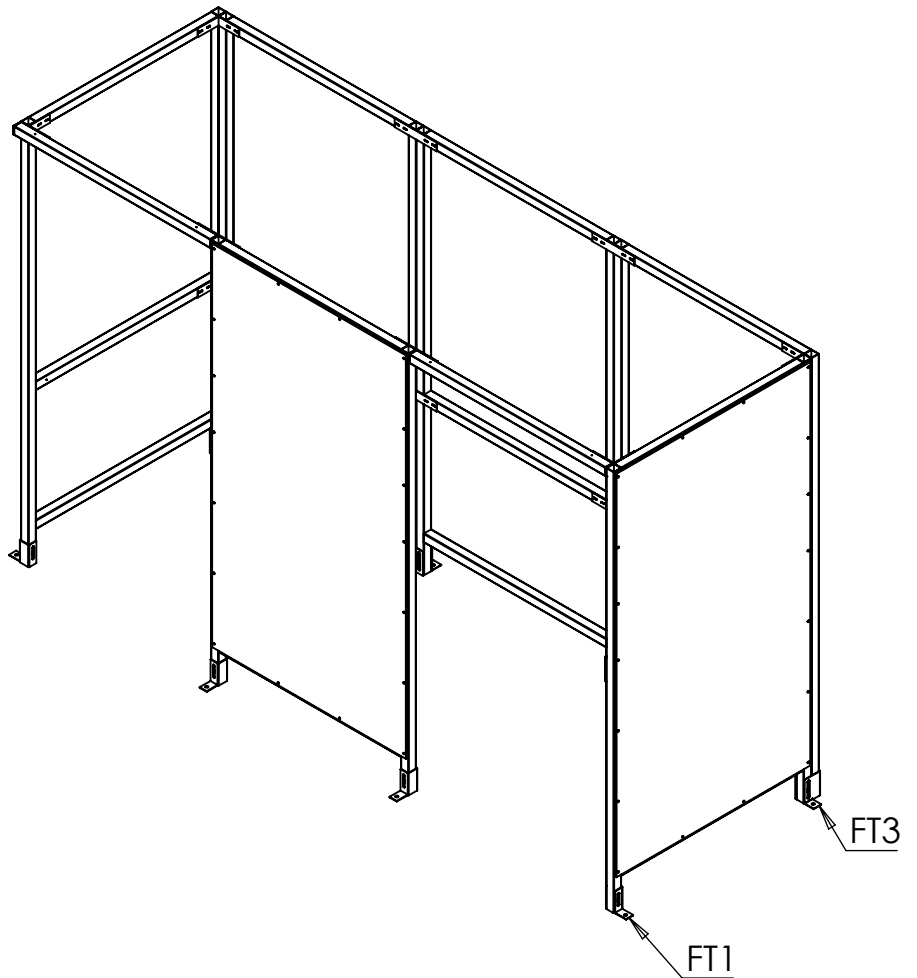
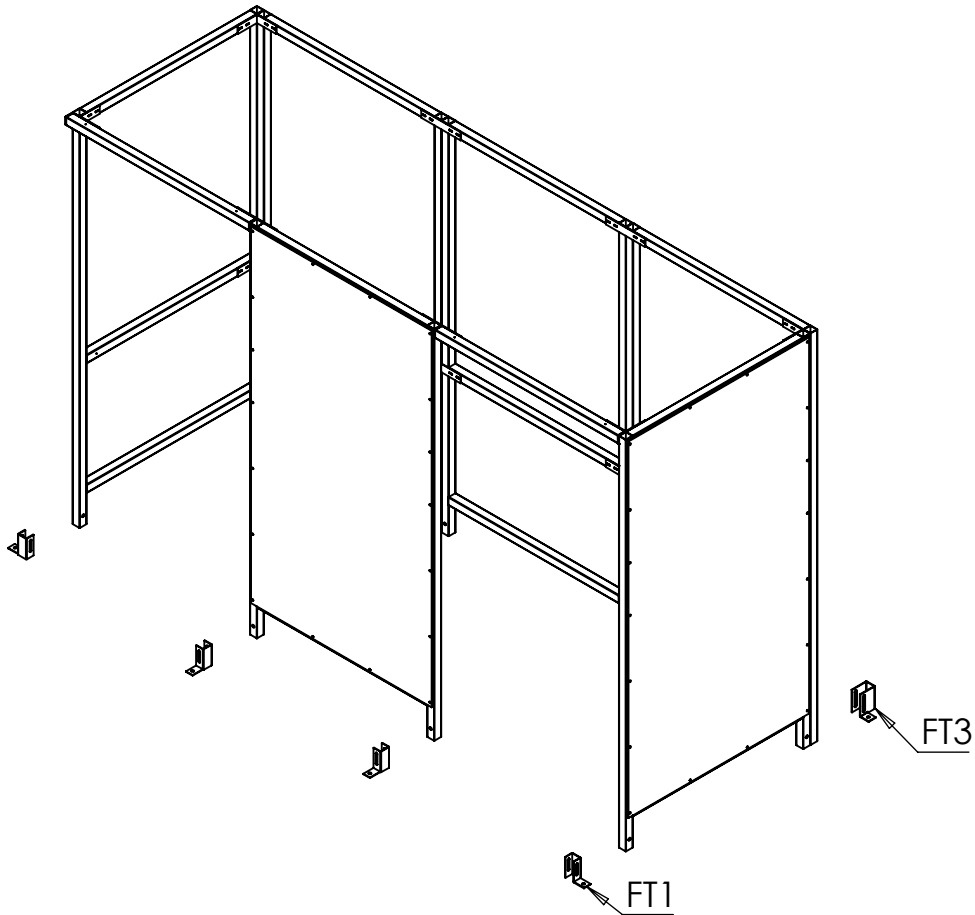


Step 2 Attach **ST1** Roof Tie and final **S1C** to the structure using **CB1** and **JF1** Brackets.

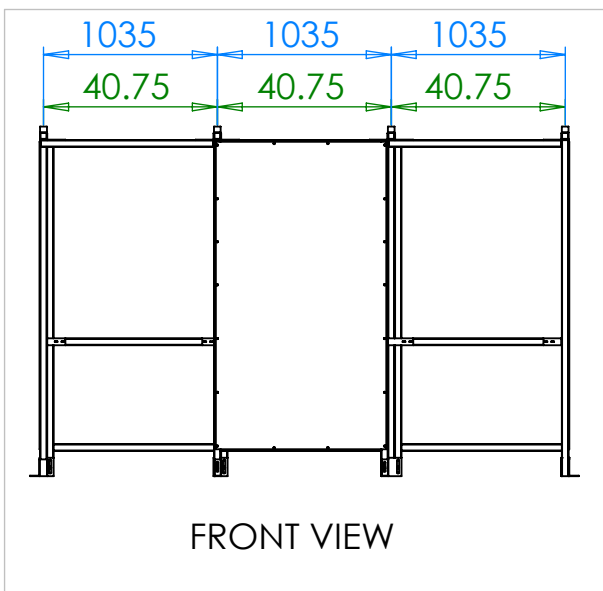
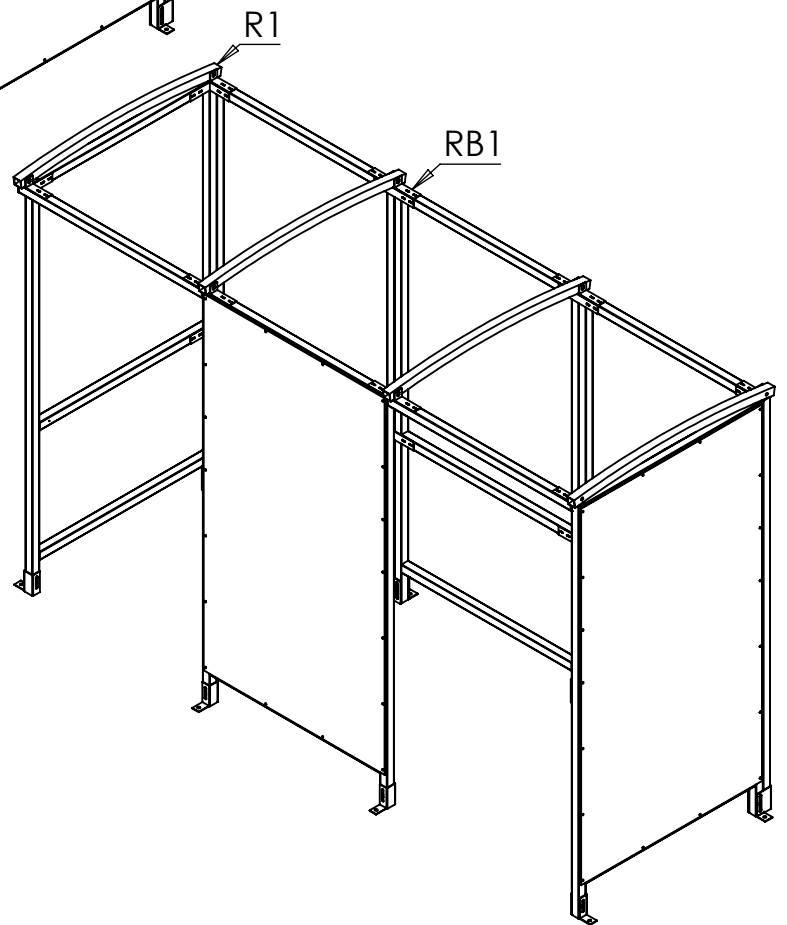
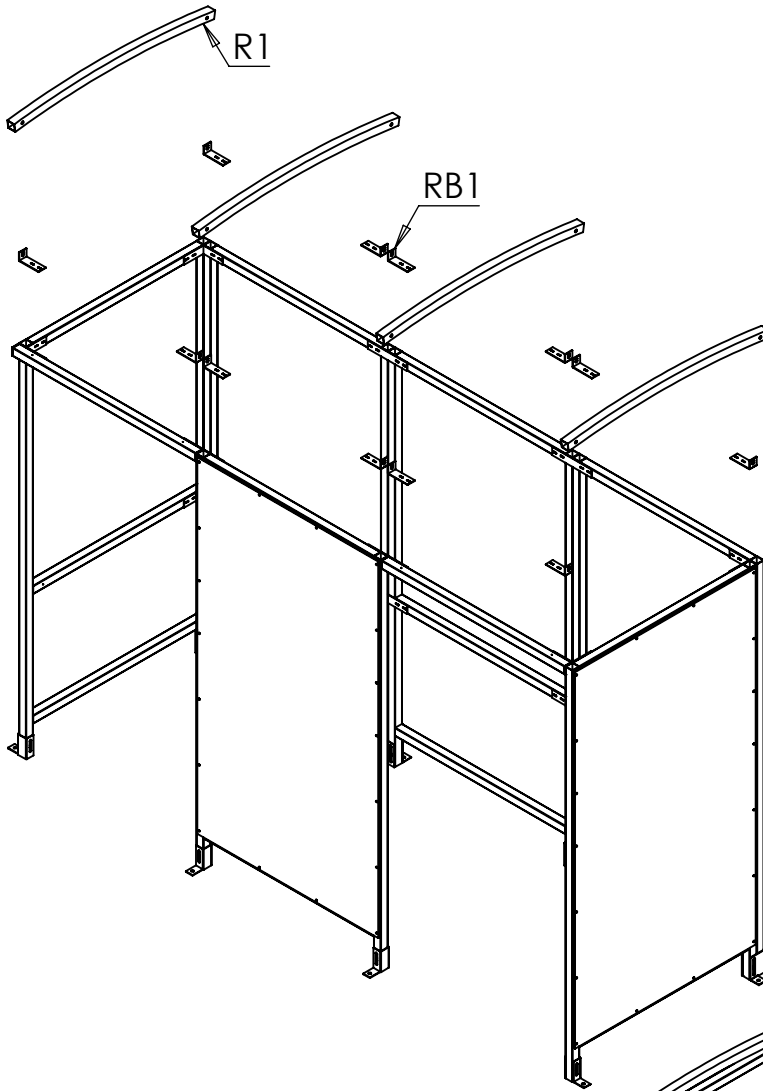
NOTE: Insert **EC40** into **ST1** before installing.



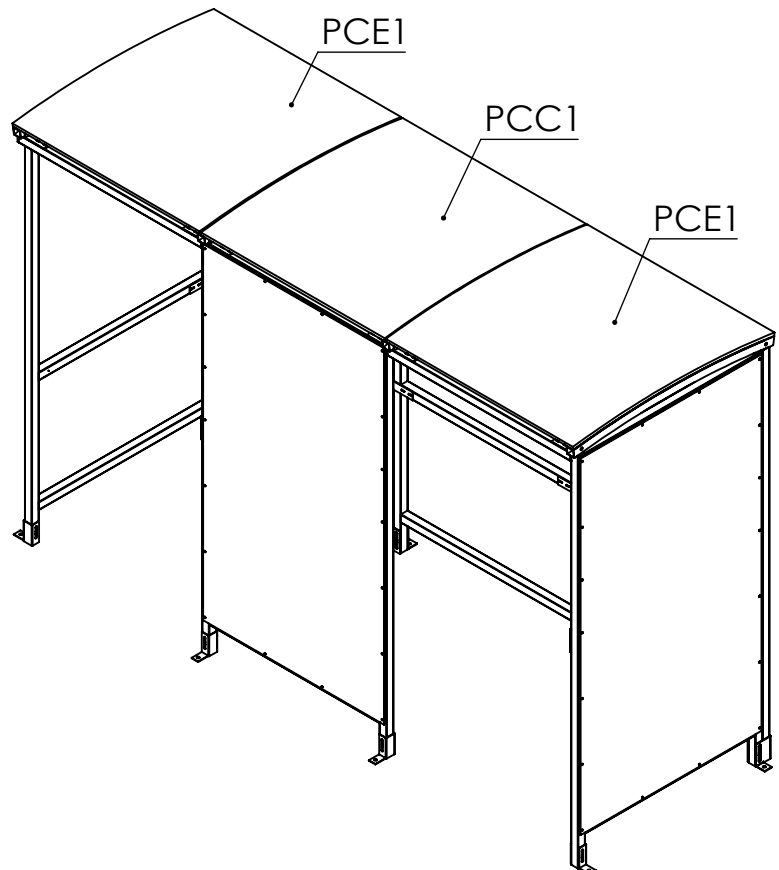
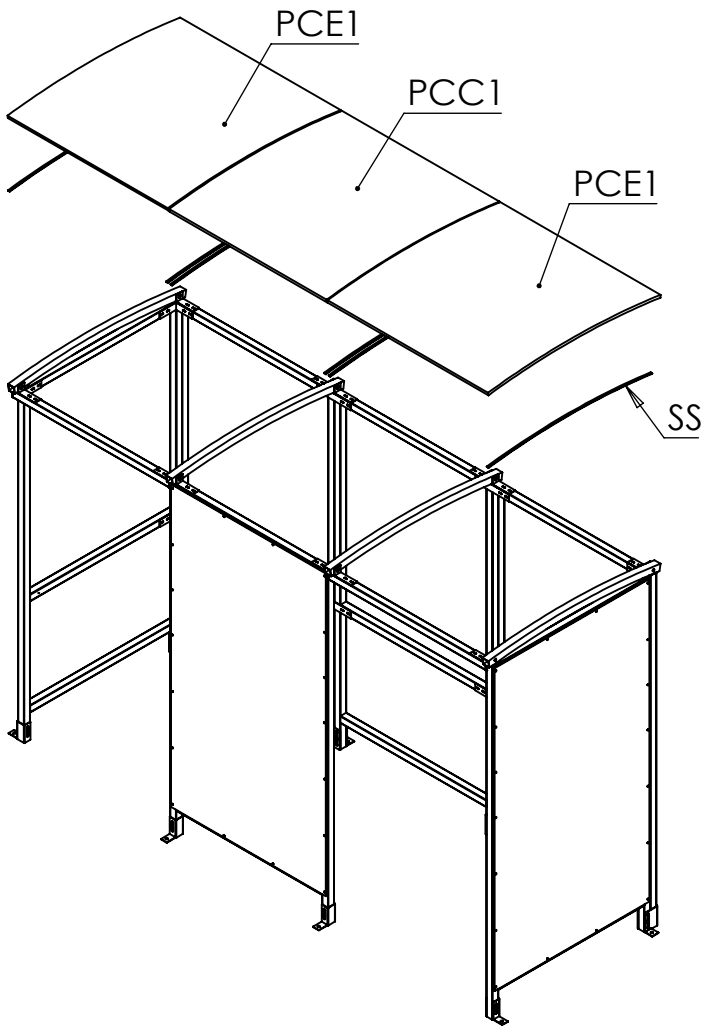
Step 3 Bolt the **FT1** and **FT3** Foot Brackets to the bottom of the frames and secure in desired position using ground anchor bolts.



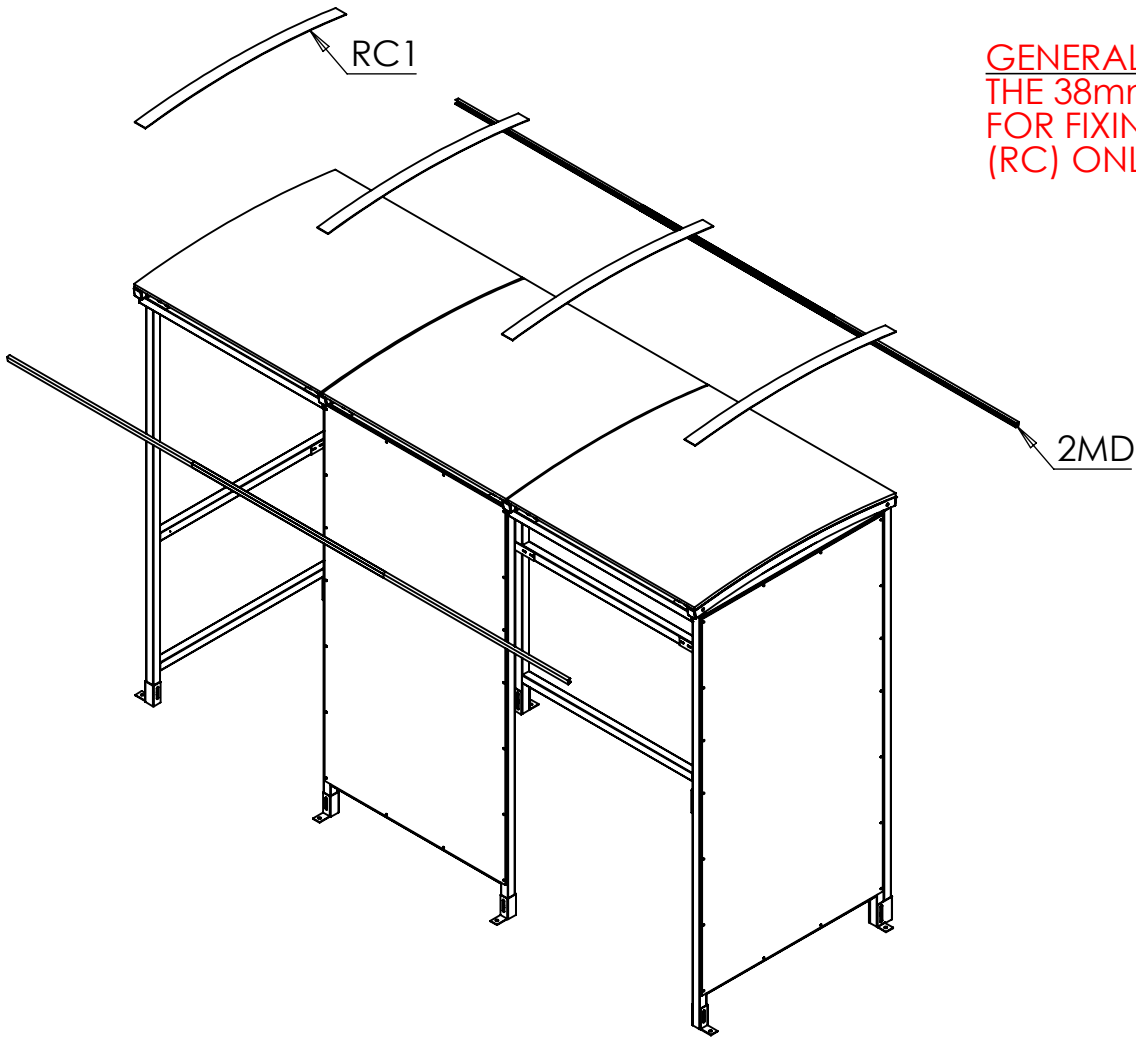
Step 4 Screw **RB1** Brackets to the top of the frame and bolt **R1** Rafters to framework.



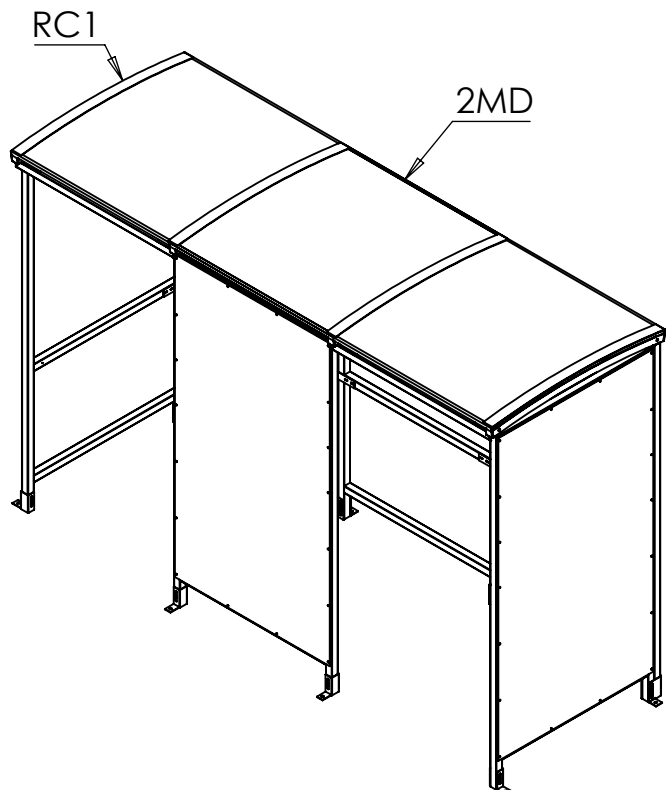
Step 5 Attach two **Sealing strips** to the top of each rafter then place **PCE1** and **PCC2** Panels on top of the strips leaving a small gap between each. Apply more sealing strips to the top of the roof panels, directly above the first strips.



Step 6 Secure panels in place using an **RC1 Strips**, screwing through the panel and into the rafter **38mm Tech screws**, then attach the **2MD Edge Trim** to the outer edges of the panels, tapping them on with a mallet. Then fit the black plastic caps on exposed nuts and bolts. Fit the square plastic end caps to any open ends of box sections.



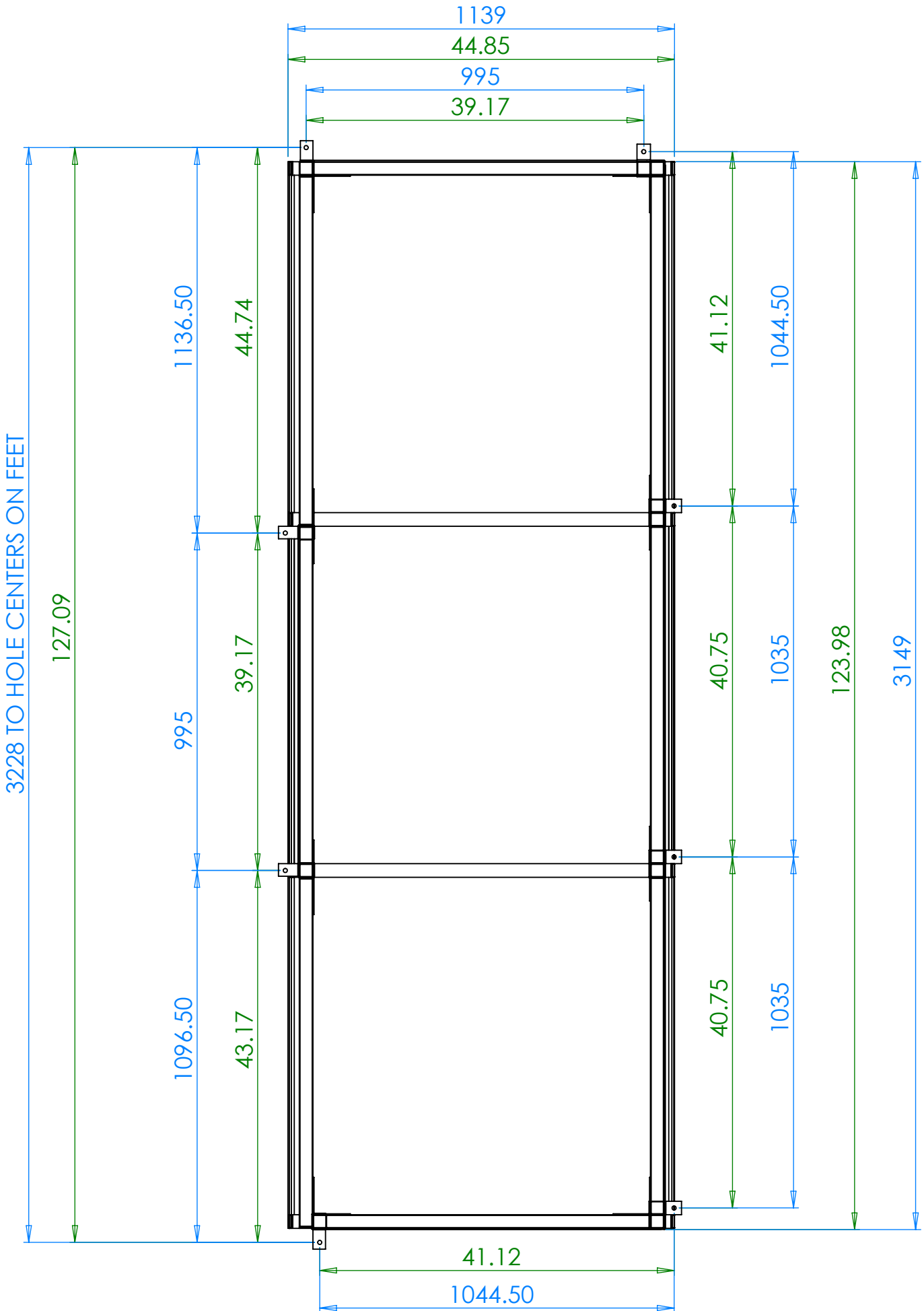
GENERAL NOTE:
THE 38mm TECH SCREWS ARE
FOR FIXING ROOF STRIPS
(RC) ONLY



Ground anchor positions and overall size

Suggested size for concrete base: 200mm/7.87in oversized
(on all four sides)

Scale 1:15



NOTES:

THANK YOU FOR PURCHASING THIS PRODUCT

MAINTENANCE:

To ensure your products give you many years of use we recommend that you:

- Clean panels regularly with soapy water
- Ensure all fitting are tight (for example after a big storm)
- Touch up any exposed metal should it get scratched

CONTACT DETAILS:

Email : Sales@nobutts.com

Web : www.nobutts.com

Tel : 1-888-662-8887

No Butts Bin Company, Inc. 16 Birch Lane, Madison, CT 06443

All Parts and Fixing checked by:	
Print Name:	Signature