

# Assembly Instructions



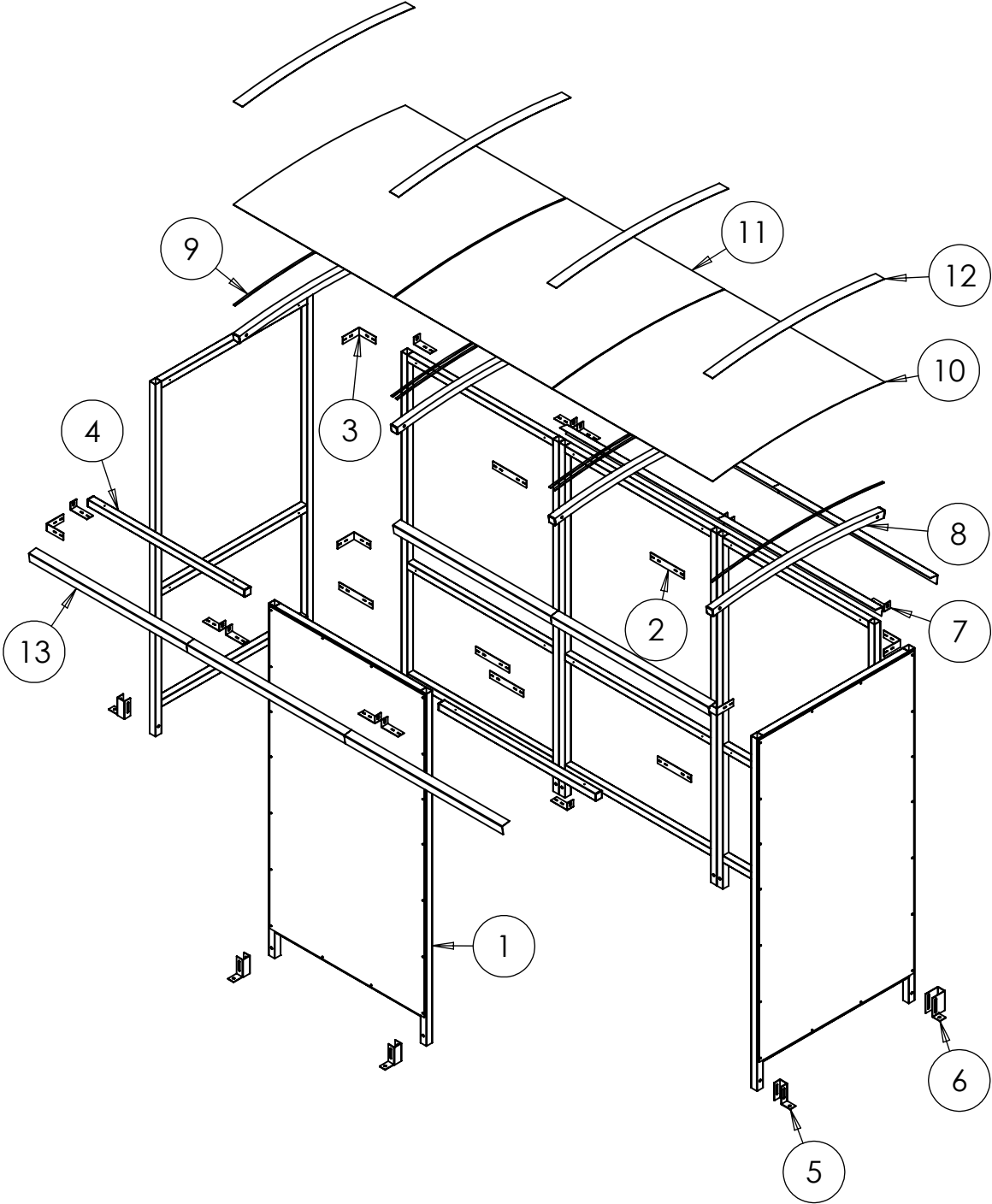
**No Butts Bin Co.**  
*Better Ash & Trash Solutions*  
Est. 1991

Email : [Sales@nobutts.com](mailto:Sales@nobutts.com)  
Web : [www.nobutts.com](http://www.nobutts.com)  
Tel : 1-888-662-8887


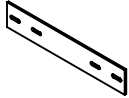
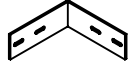

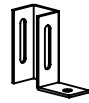

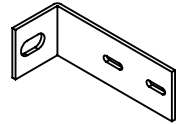

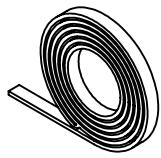
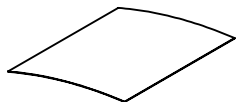
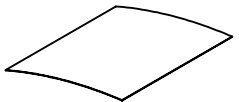
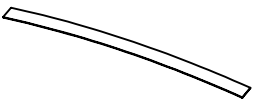


Product Code: **SR1559-F**

Doc. No.: SR1559-F-02-130219-USA







# Exploded View



## PARTS LIST

ITEM NO.	PART NO.	DESCRIPTION	DIMENSION (mm)		IMAGE	QTY.
1	S1C	FRAME	2000x1035	78.74x40.75		6
2	JF1	BRACKET	220x40	7.87x1.58		6
3	CB1	BRACKET	110x110	4.33x4.33		6
4	ST1	ROOF TIE	1025x40x40	40.35x1.58x1.58		2
5	FT1	FOOT	109X100X40	4.29x3.94x1.58		4
6	FT3	FOOT	109X100X80	4.29x3.94x3.15		4
7	RB1	BRACKET	110x46	4.33x1.81		12
8	R1	RAFTER	1130x40x40	44.49x1.58x1.58		4
9	SS	SEALING STRIP	TRIM TO 1135	TRIM TO 44.69		2 ROLLS
10	ACE1	ROOF PANEL	1150X1050	45.28x41.34		2
11	ACC1	ROOF PANEL	1130 X 1030	44.49x40.55		1
12	RC1	ROOF STRIP	1130	44.49		4
13	A2	ROOF EDGE	1035 x 50 x 50	81.89 x 1.97 x 1.97		6
14	EC40	40x40 END CAP	40X40	1.57 x 1.57		12

## Fittings and Tools

Fittings	Bolt set M10				T25	BTANCM12100
	M10 x 60 mm	Nut	Washer	Black Caps	25 mm Tech screw	M10/12 x 100 mm Concrete Bolt
Pack C	30	30	60	60	102	8
Image						

### Tools required:

Drill/Screwdriver



Mallet



Hack saw



Spanner



Torx bit

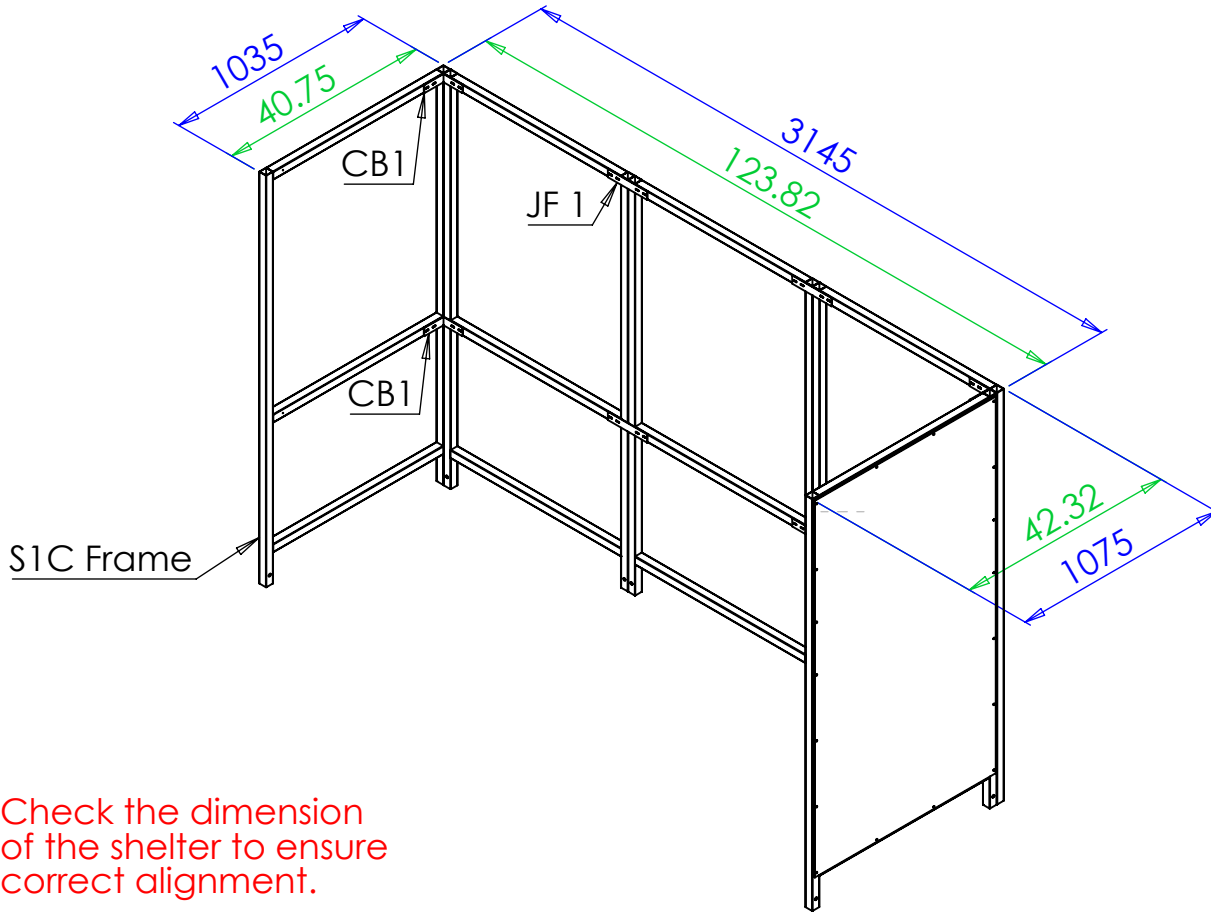


**Step 1** Assemble the back and side frames using the **S1C** frames. Join the frames using the **CB1** brackets in the corners and the **JF1** brackets on the flat joints.

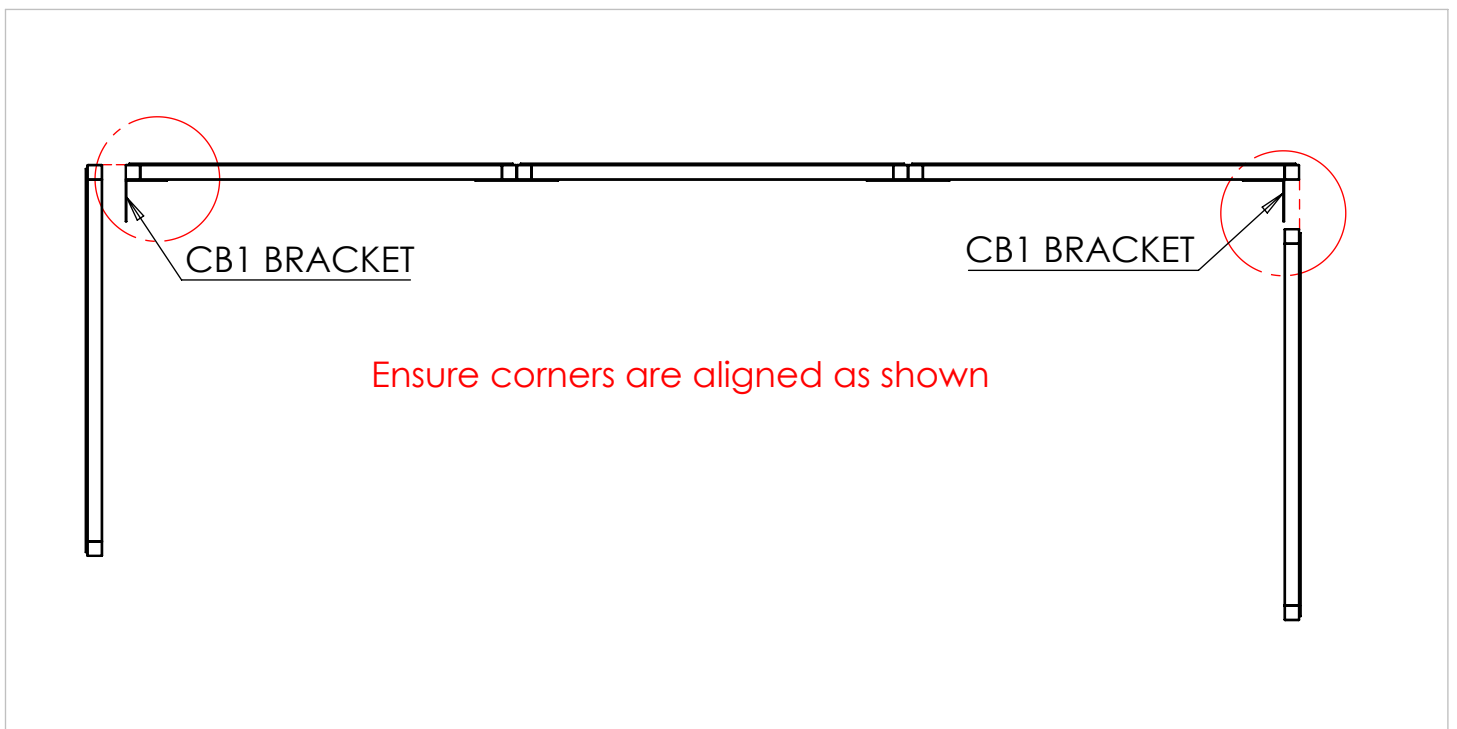
**IMPORTANT:** Make sure side frames are aligned as detailed below.

**BLUE DIMENSIONS - MM**

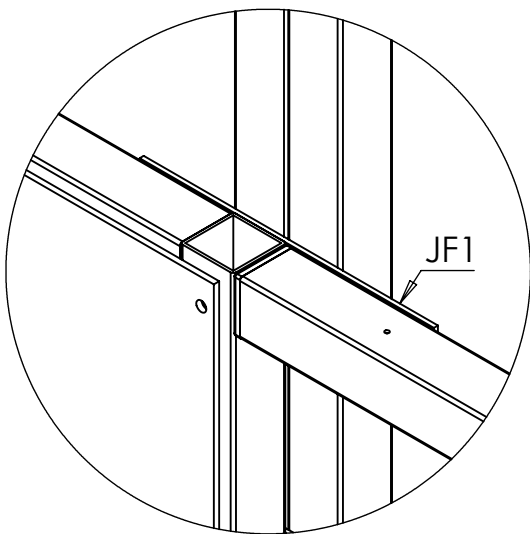
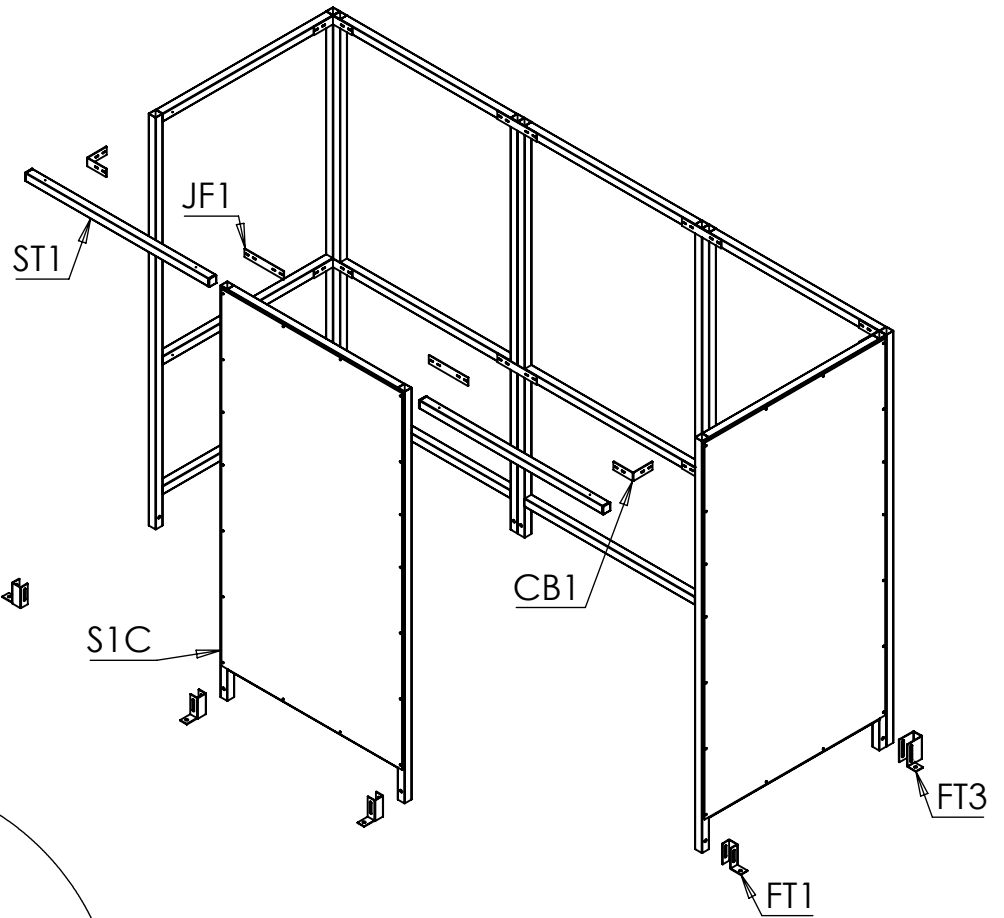
**GREEN DIMENSIONS - INCH**



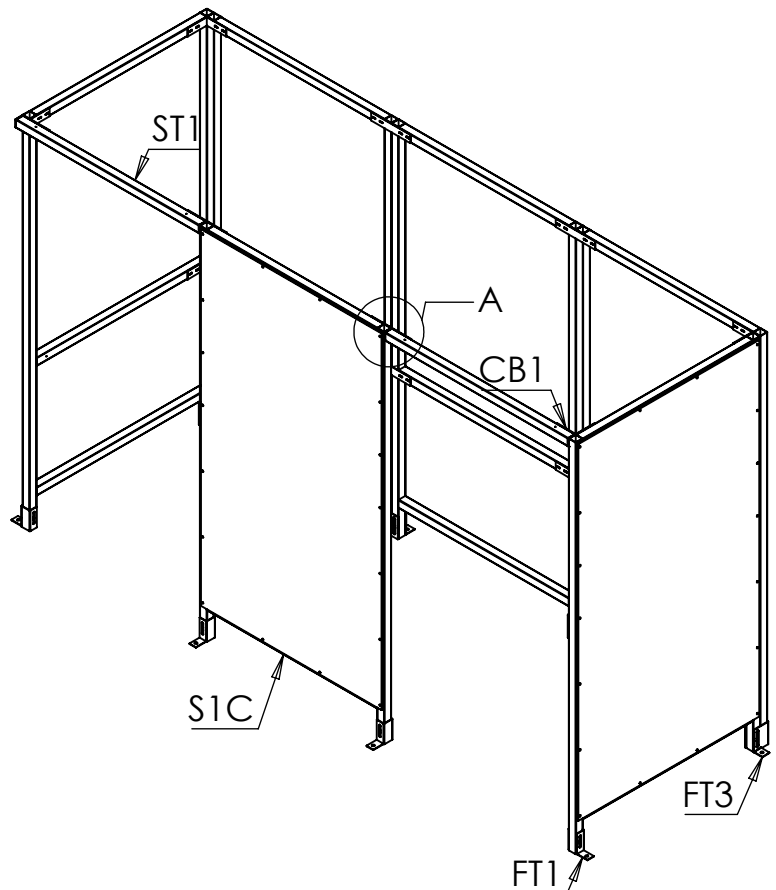
Check the dimension of the shelter to ensure correct alignment.



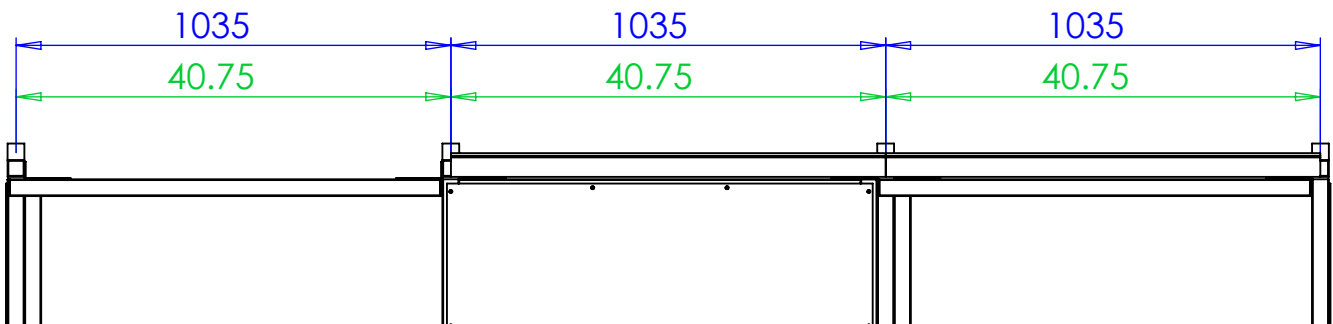
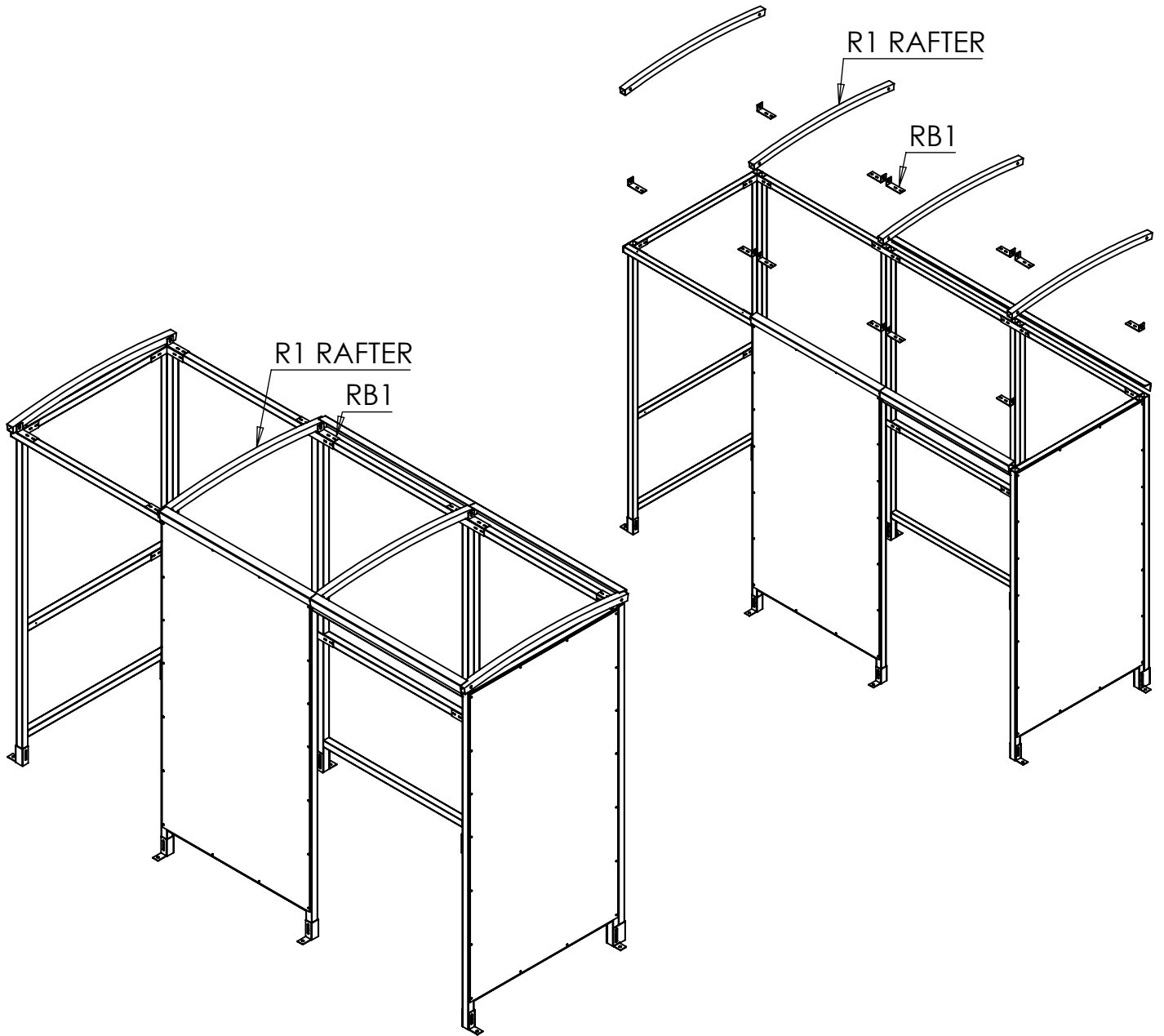
**Step 2** Insert **EC40** end caps into both ends of the **ST1** tie bar. Attach front **S1C** frame and **ST1** tie bar using **CB1** brackets in the corners and **JF1** brackets on the straight joint. Once the main structure is secured, move the shelter into its final position and install foot brackets **FT1** and **FT3** to fix shelter to the ground.



DETAIL A  
SCALE 1 : 4

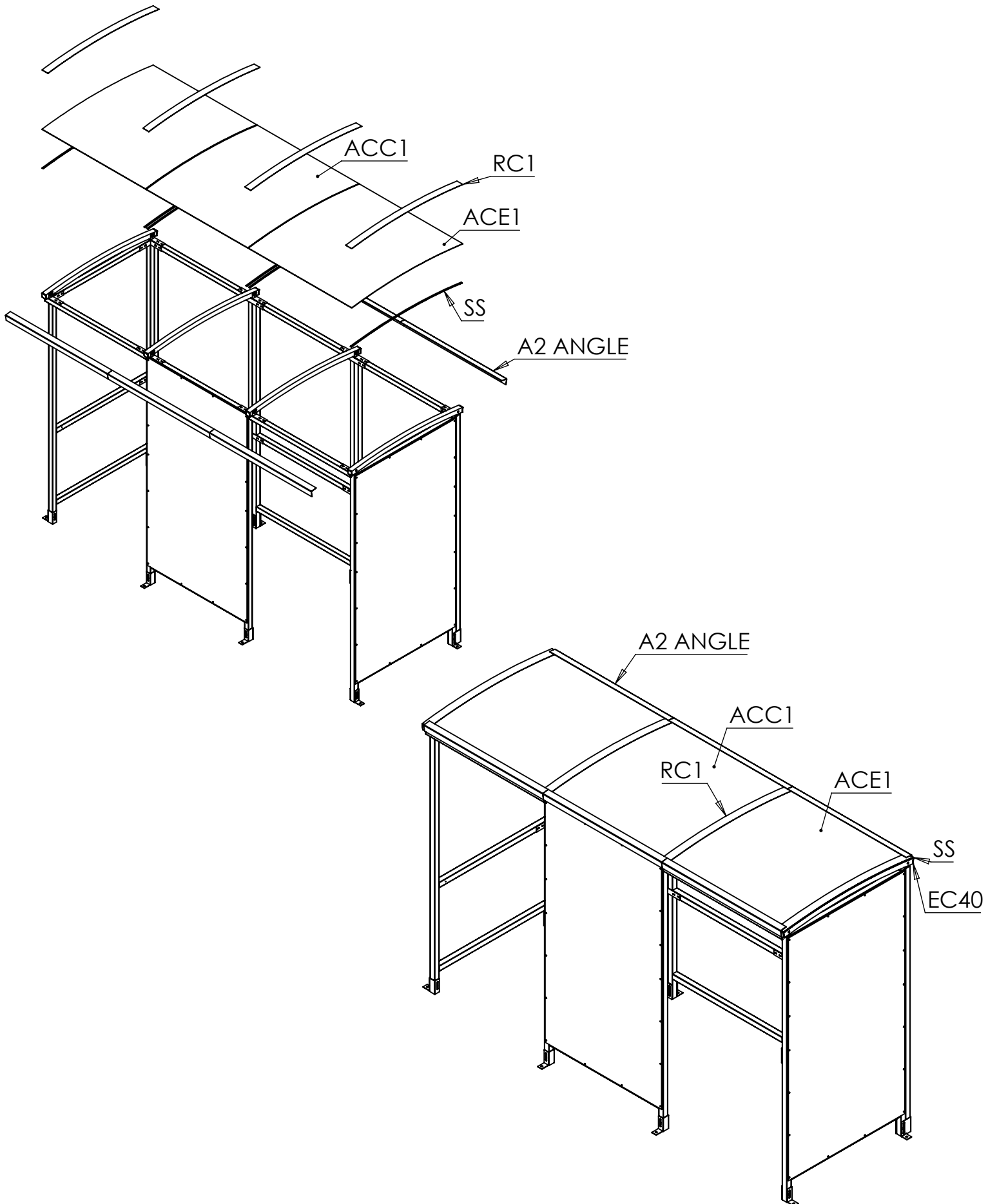


**Step 3** Screw **RB1** brackets to beams, then Bolt **R1** roof rafters to **RB1** brackets. Rafters are 1035mm to centers (this should coincide with the next frame see Detail E below).



DETAIL E - SCALE 1 : 18

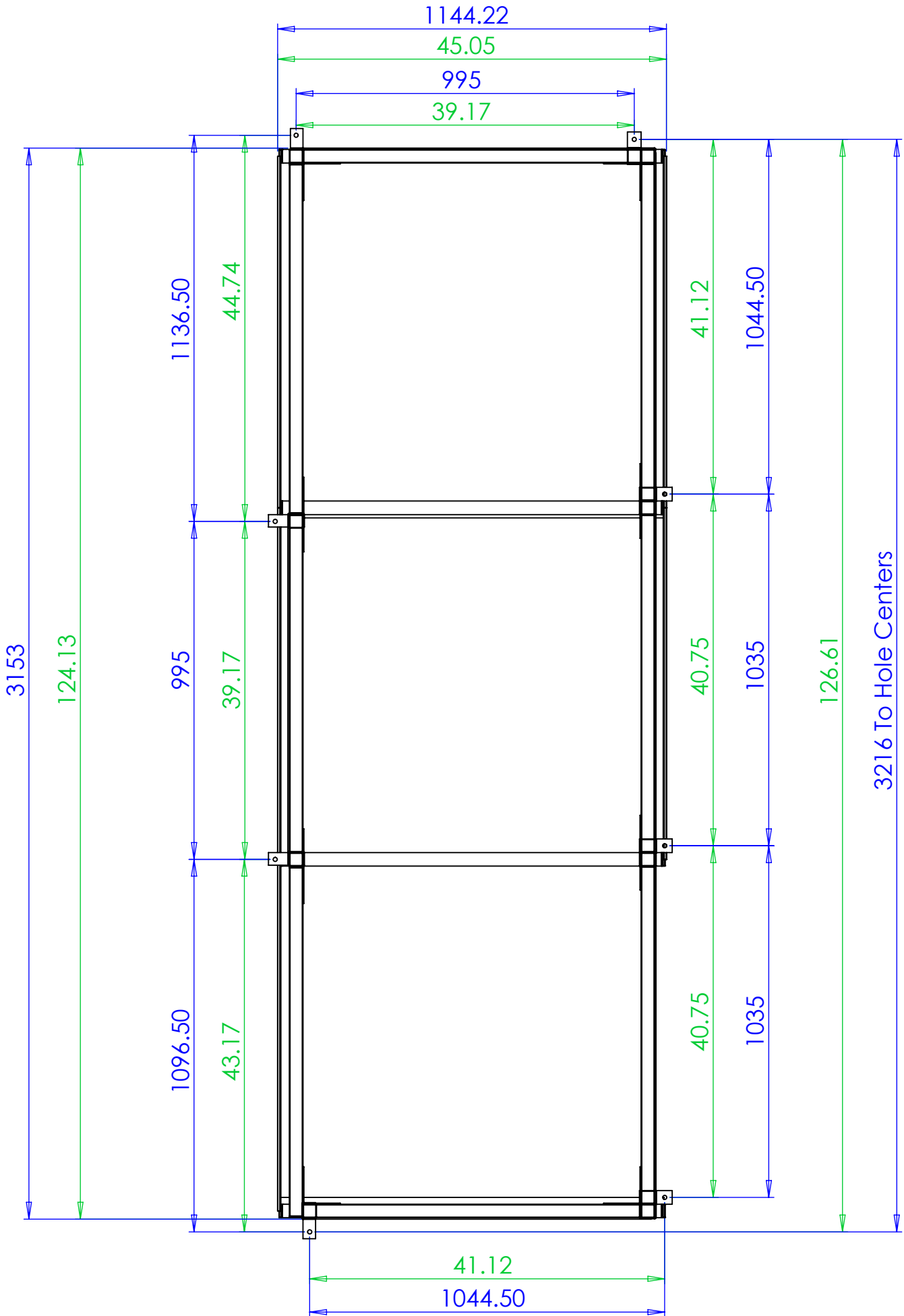
**Step 4** Stick sealing strips (**SS**) on top of the rafters and align roof panels (**ACE1** and **ACC1**). Fix the **RC1** strips on the edges and over the gap between the roof panels and screw in with **25mm Tech screws**. Fit the square plastic end caps (**EC40**) to any open ends of box sections. Screw the **A2 Angles** along the edges of the shelter.





# Plan View

Suggested size for concrete base: 200mm OR 7.87inches oversized on all 4 sides.



NOTES:

NOTES:

# THANK YOU FOR PURCHASING THIS PRODUCT

## MAINTENANCE:

To ensure your products give you many years of use we recommend that you:

- Clean panels regularly with soapy water
- Ensure all fitting are tight (for example after a big storm)
- Touch up any exposed metal should it get scratched

## CONTACT DETAILS:

Email : Sales@nobutts.com

Web : www.nobutts.com

Tel : 1-888-882-8887

No Butts Bin Company, Inc. 16 Birch Lane, Madison, CT 06443

<b>All Parts and Fixings checked by:</b>	
Print Name:	Signature: