

Assembly Instructions



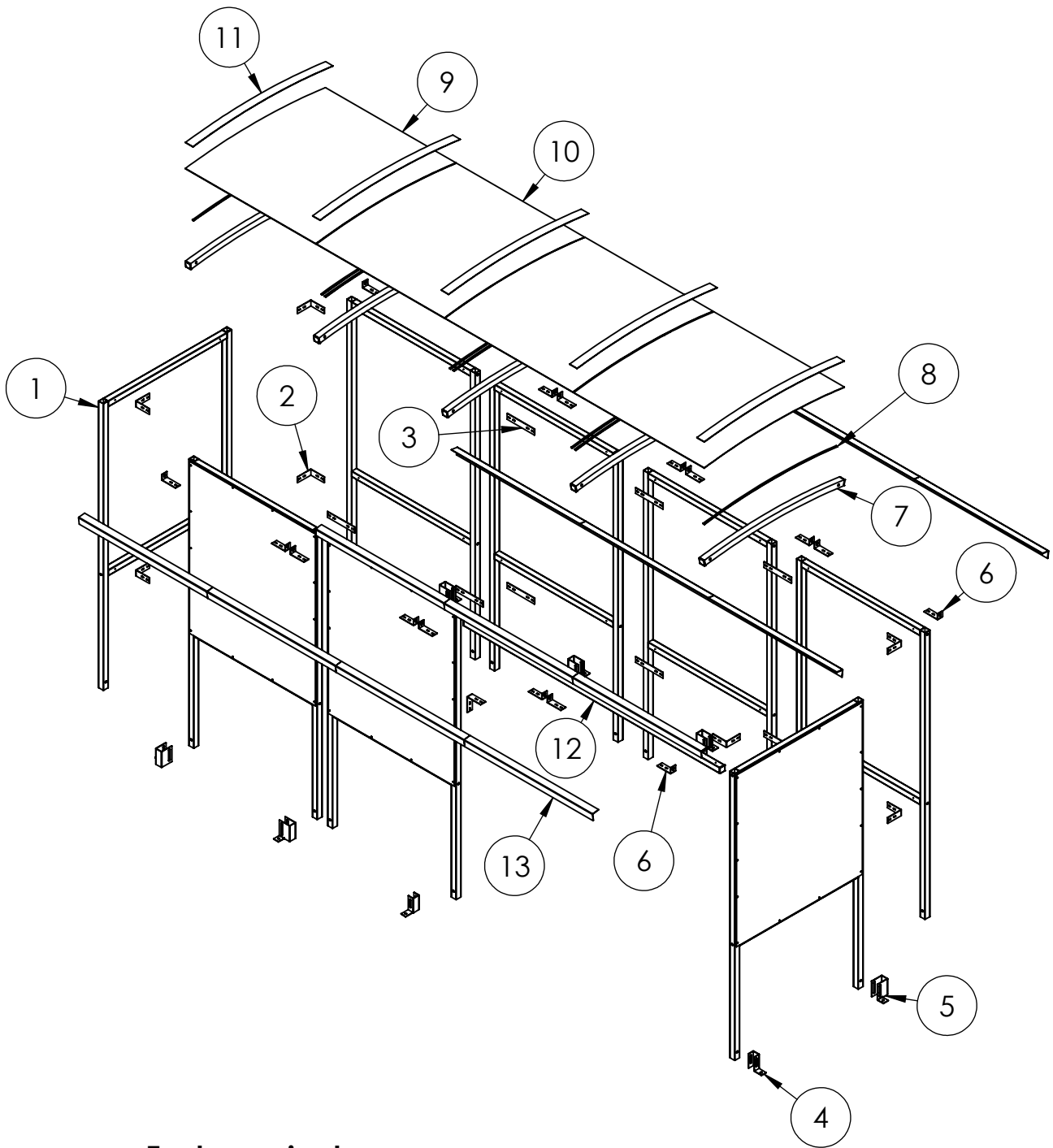
No Butts Bin Co.
Better Ash & Trash Solutions
Est. 1991

Email : Sales@nobutts.com
Web : www.nobutts.com
Tel : 1-888-662-8887

Product code: SR1560

Doc. No: SR1560-04-130219-USA

EXPLODED VIEW AND TOOLS



Tools required:



Drill/Screwdriver



Spanner



Mallet


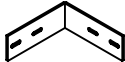
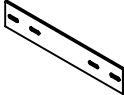
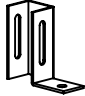


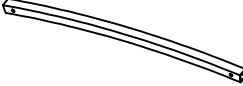

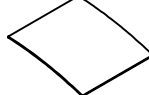
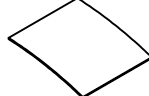
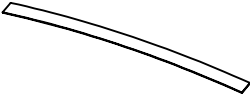





Torx bit



Hack saw

PARTS LIST AND FITTINGS

ITEM NO.	PART NO.	DESCRIPTION	DIMENSION (MM)	DIMENSION (INCHES)	IMAGE	QTY.
1	S1	Frame	2000x1035	78.74x40.75		8
2	CB1	Bracket	110x110	4.33x4.33		8
3	JF1	Bracket	220 x 40	7.87x1.58		9
4	FT1	Bracket	1035 x 50 x 50	4.29x3.94x1.58		2
5	FT3	Bracket	109x100x80	4.29x3.94x3.15		7
6	RB1	Bracket	110x42x40	4.33x1.81		16
7	R1	Rafter	1130x40x40	44.49x1.58x1.58		5
8	SS	Sealing Strip	110 x 110	TRIM TO 44.69		2 ROLLS
9	ACE1	Roof Panel	1130 x 1050	44.49 x 41.34		2
10	ACC1	Roof Panel	1130 x 1050	44.49 x 40.55		2
11	RC1	Roof Strip	1130	44.49		5
12	ST3	Roof Tie	2060x40x40	88.98x1.58x1.58		1
13	A2	Roof Edge Trim	109 x 100 x 80	40.55 x 1.97 x 1.97		8
14	EC40	Plastic End Cap	40x40	1.57 x 1.57		18

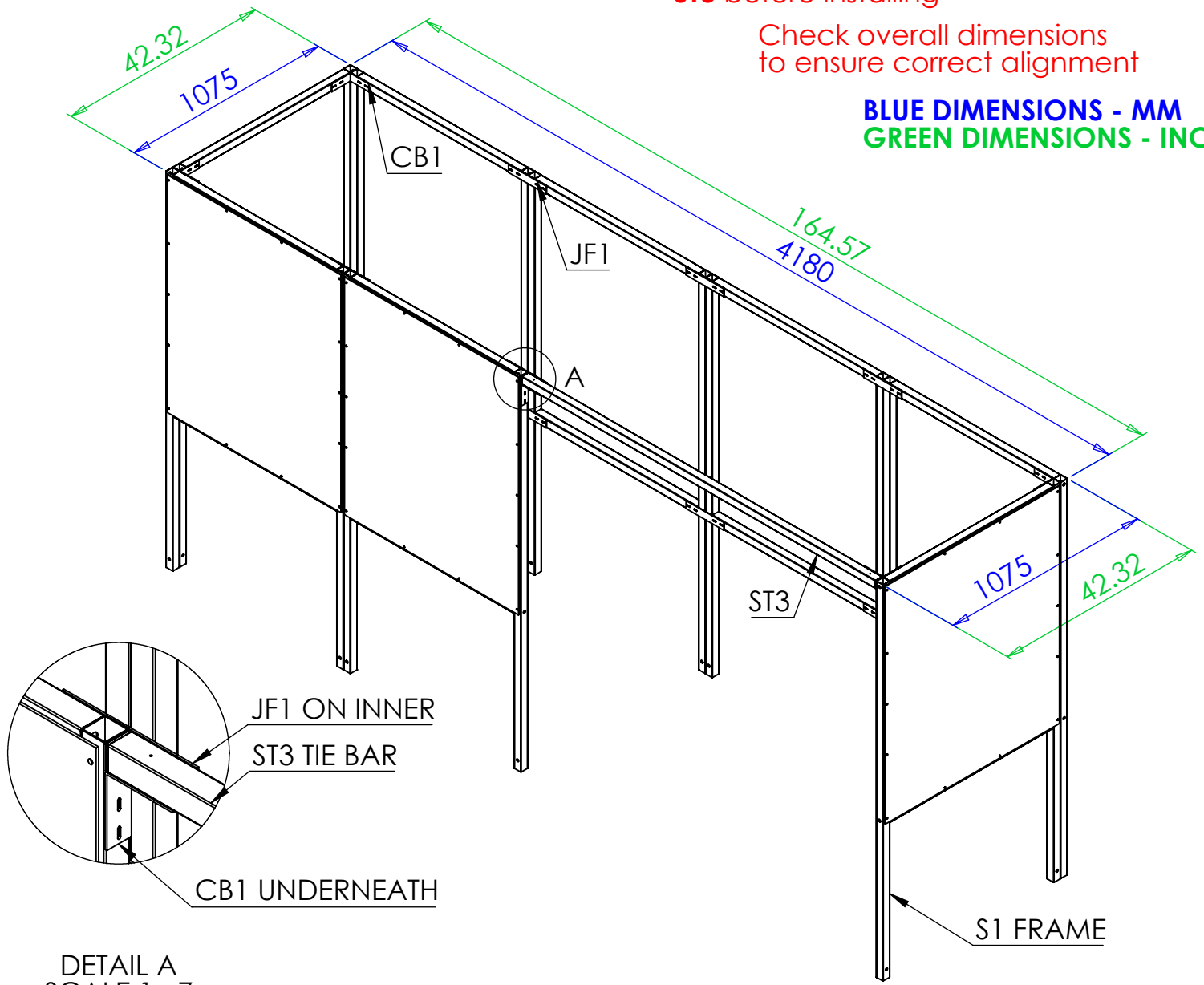
Fitings	Bolt set M10				T25	AB1210
	M10 x 60mm	Nut	Washer	Black Cap	25 mm Tech screw	M10/12 x 100 mm Concrete Bolt
Pack C+D Required	40	40	80	80	202	13
	19	19	38	38	130	9
Image						

Step 1 Assemble **S1** frames to make up the main structure using **CB1** brackets for the corners and **JF1** brackets for straight joints. Also use **CB1** and **JF1** brackets to secure the **ST3** tie bar.

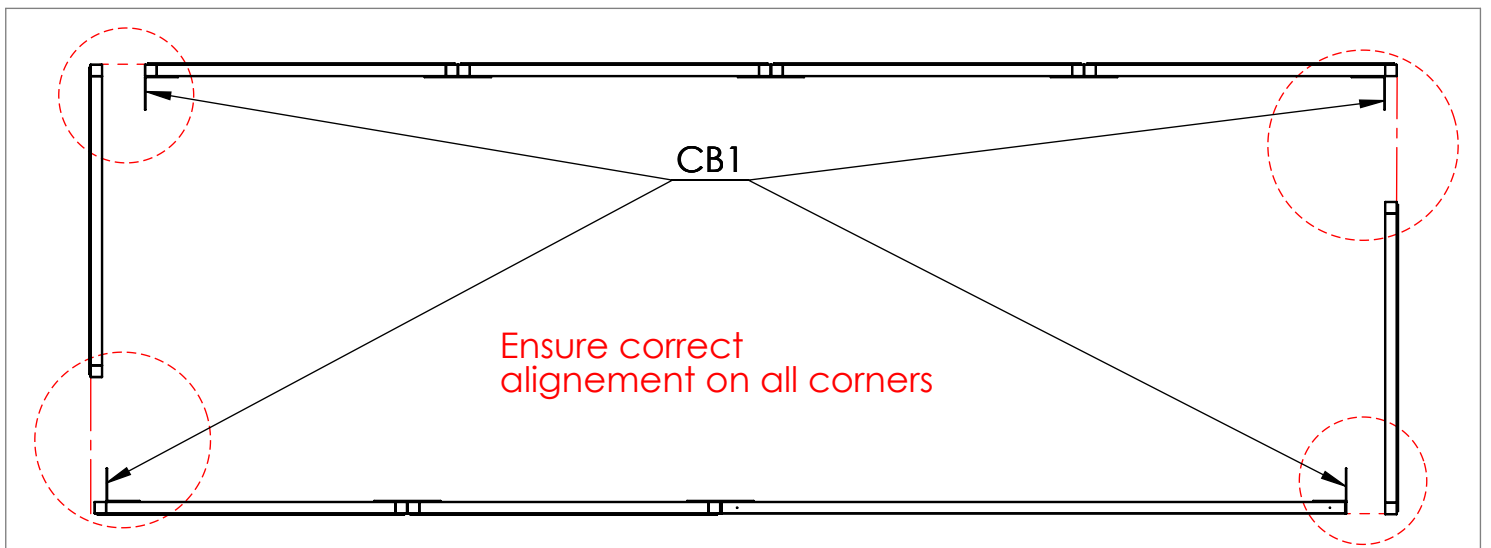
Note: Insert **EC40** into **ST3** before installing

Check overall dimensions to ensure correct alignment

BLUE DIMENSIONS - MM
GREEN DIMENSIONS - INCH

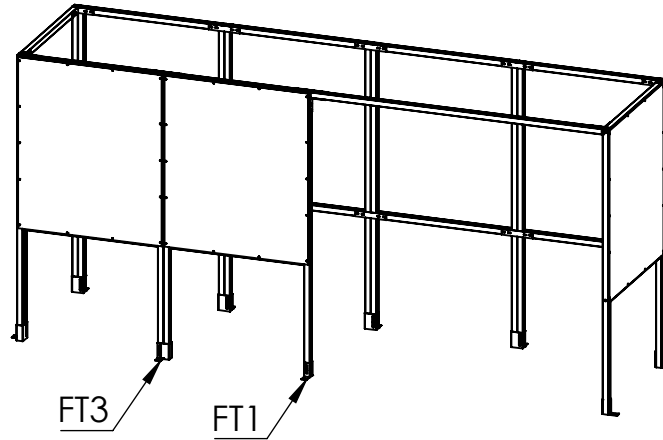


DETAIL A
SCALE 1 : 7

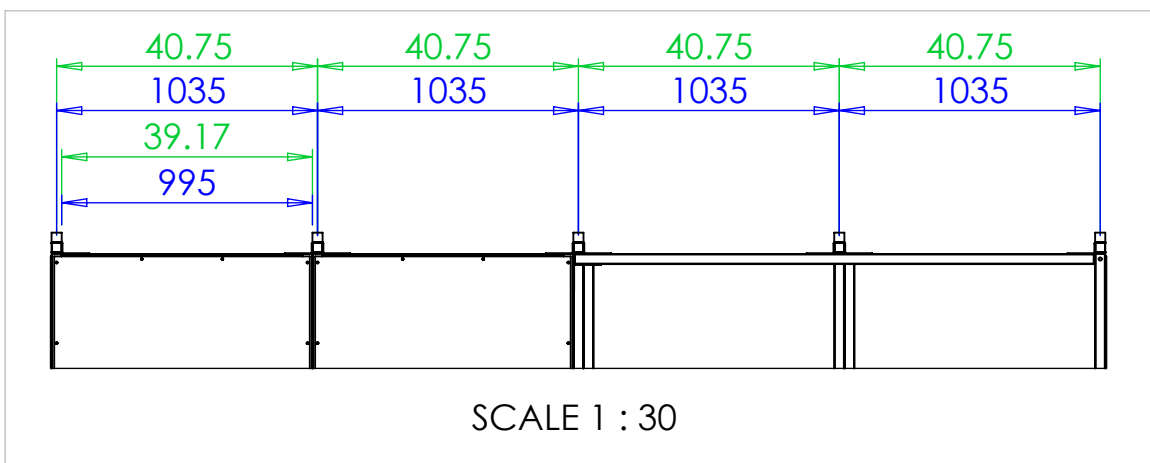
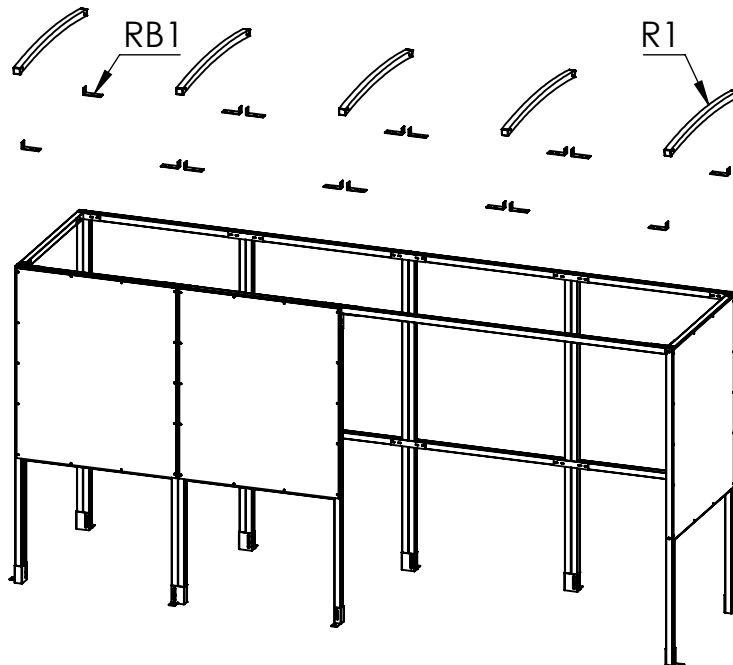


Step 2 Move the Shelter to its final position and attach all **FT1** and **FT3** foot brackets. Then attach **R1** roof rafters using **RB1** brackets.

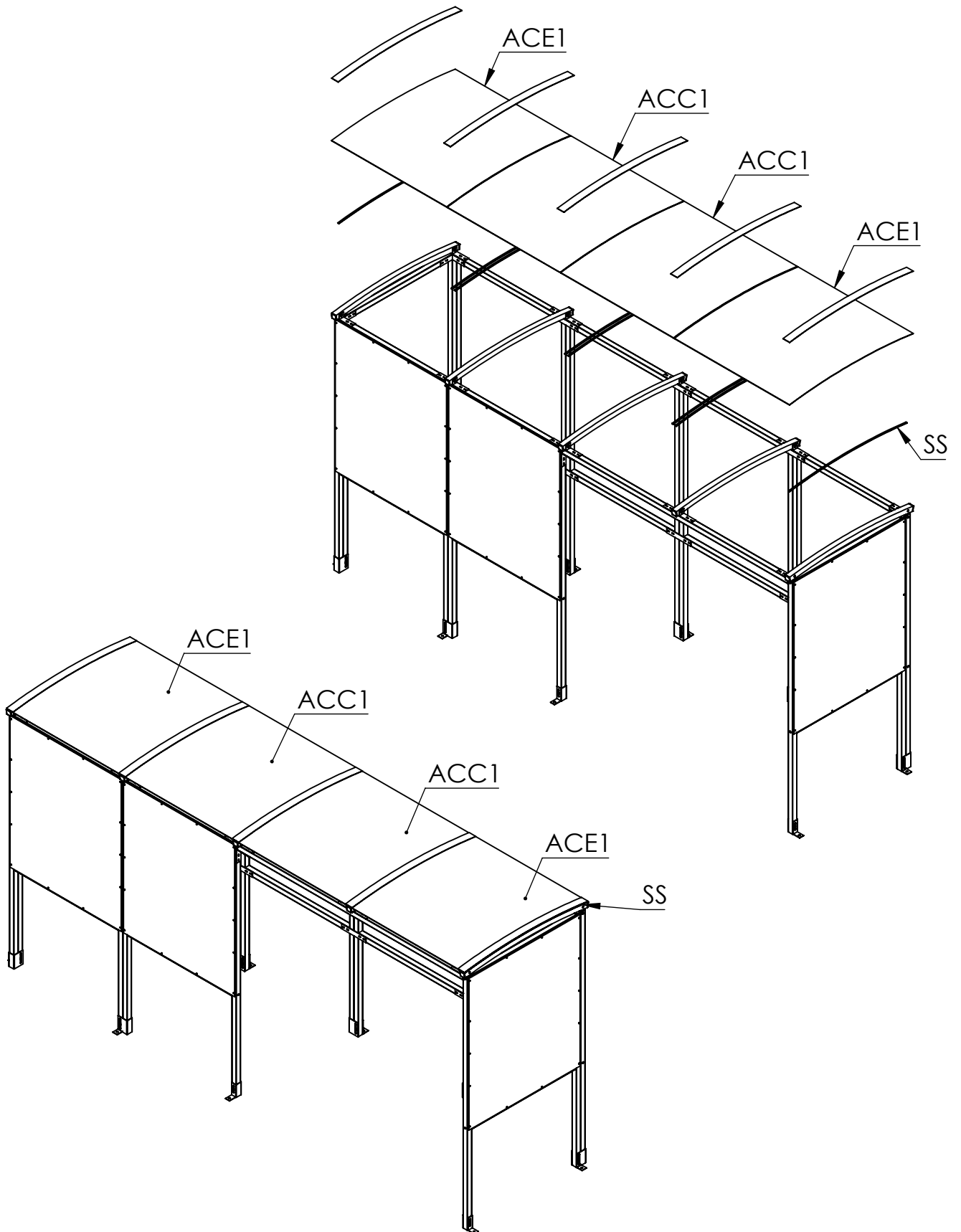
1.



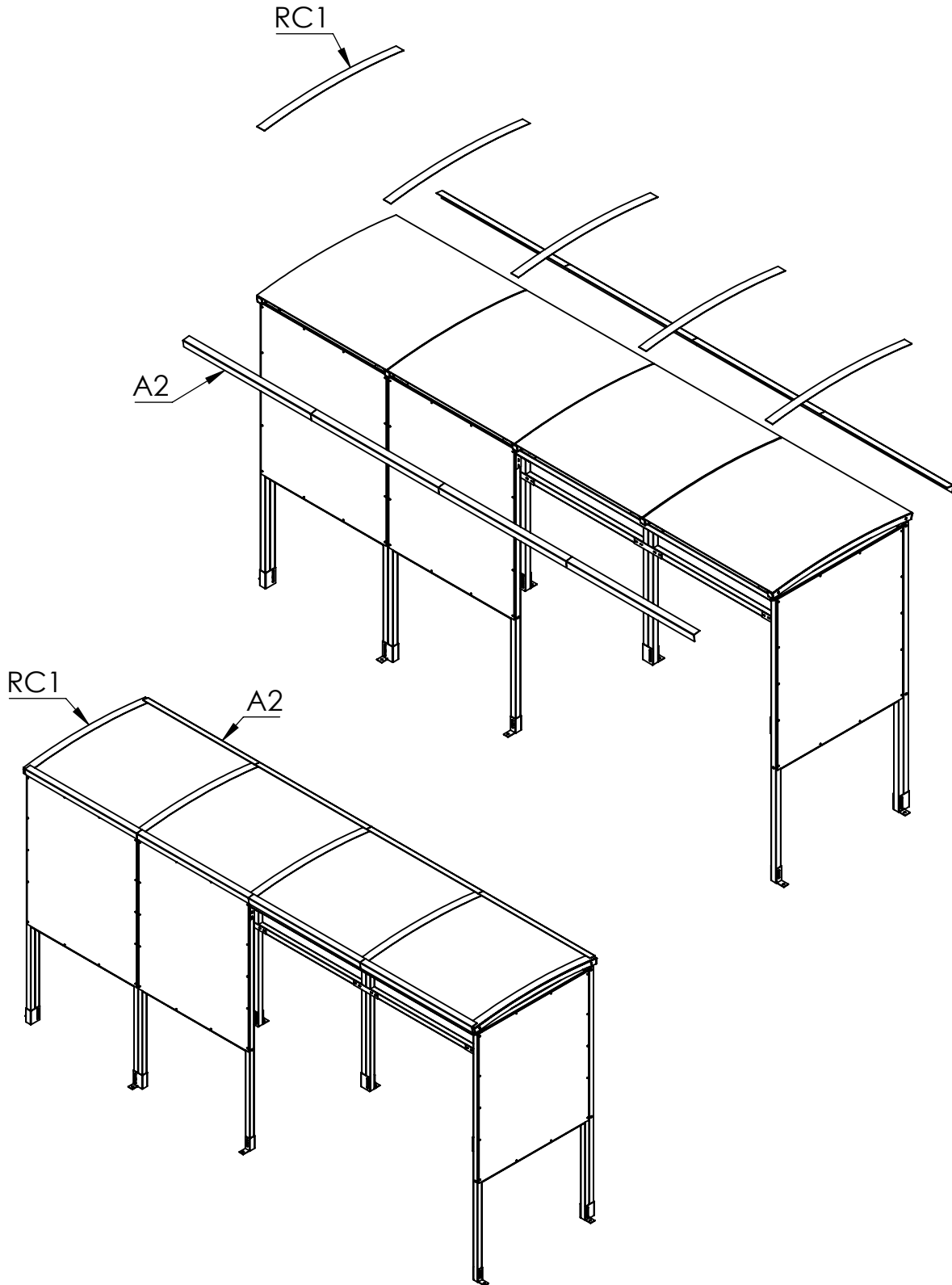
2.



Step 3 Apply **sealing strips (SS)** to the top of the rafters then arrange the roof panels by lining up the end panels(**ACE1**) flush with the rafters and leaving a gap between the middle pieces(**ACC1**).



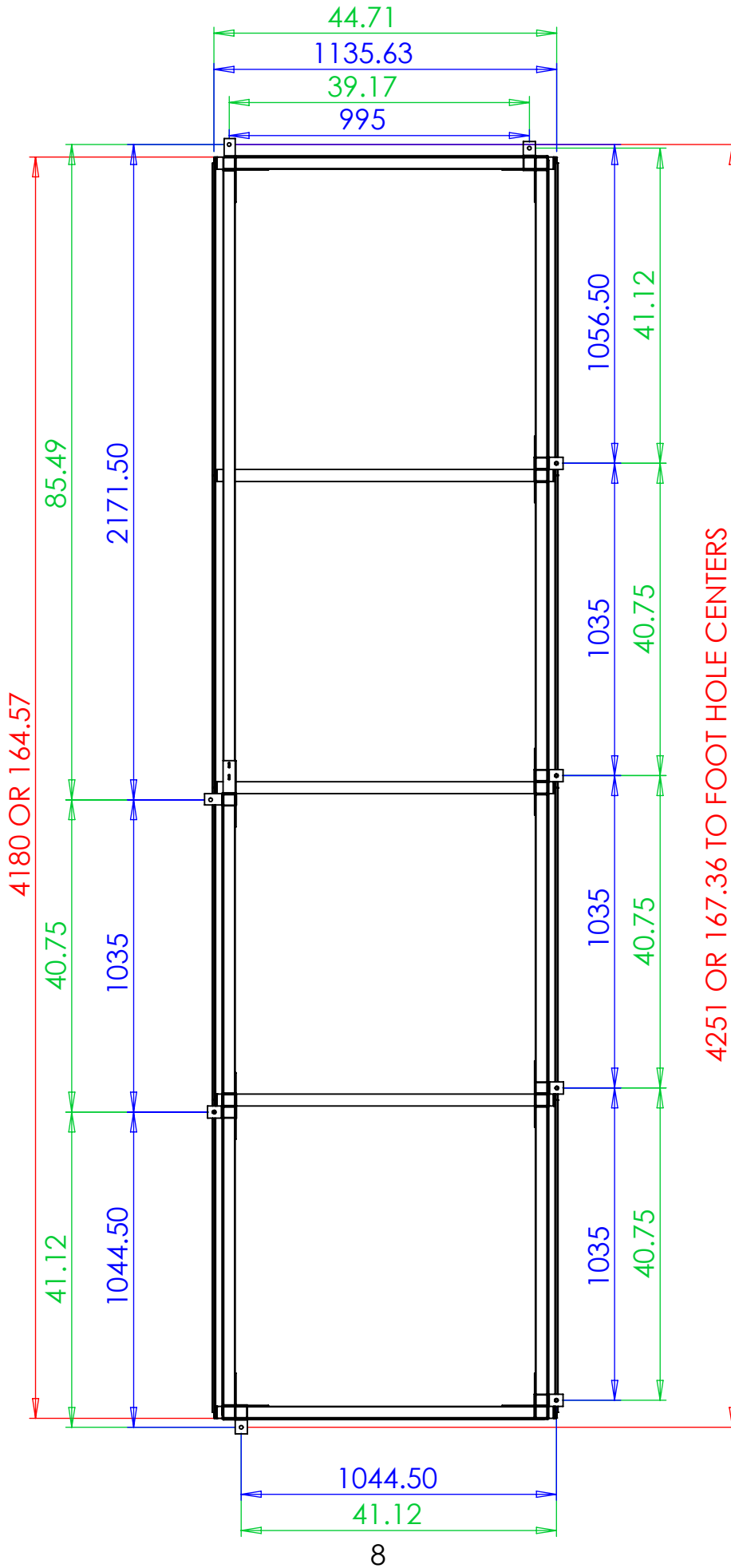
Step 4 Secure the roof panels in place by drilling the **RC1** strips directly into the frame of the shelter using the **25mm Tech screws**. Push fit the plastic caps on exposed nuts and bolts. Use a mallet to fit the square plastic end caps (**EC40**) to any open ends of box sections. Screw the **A2 Angle** sections in place along the edges of the roof.



GROUND ANCHOR POSITIONS AND OVERALL SIZE

SUGGESTED SIZE FOR BASE: 200mm OR 7.87Inch OVERSIZES ON ALL 4 SIDES

Scale 1:20



Notes:

Notes:

Notes:

THANK YOU FOR PURCHASING THIS PRODUCT

MAINTENANCE:

To ensure your products give you many years of use we recommend that you:

- Clean panels regularly with soapy water
- Ensure all fitting are tight (for example after a big storm)
- Touch up any exposed metal should it get scratched

CONTACT DETAILS:

Email : Sales@nobutts.com

Web : www.nobutts.com

Tel : 1-888-662-8887

No Butts Bin Company, Inc. 16 Birch Lane, Madison, CT 06443

All Parts and Fixing checked by:	
Print Name:	Signature