

Assembly Instructions



No Butts Bin Co.
Better Ash & Trash Solutions
Est. 1991

Email : Sales@nobutts.com

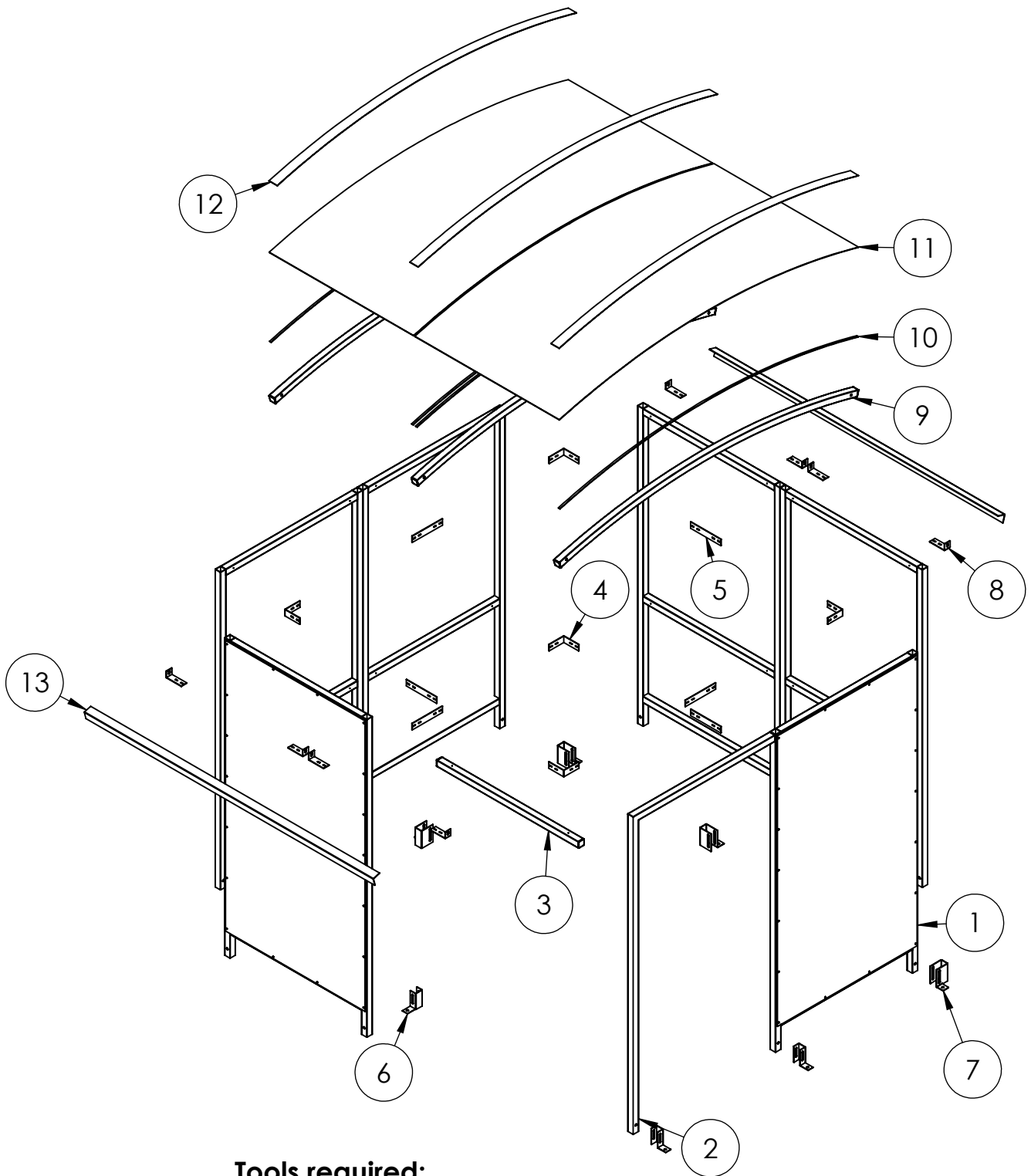
Web : www.nobutts.com

Tel : 1-888-662-8887

Shelter type: SR1561-F

SR1561-F-05-200219-USA

EXPLODED VIEW AND TOOLS



Tools required:



Drill/Screwdriver



Mallet



Hack saw


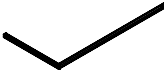


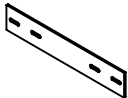
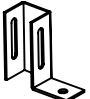

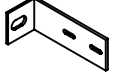
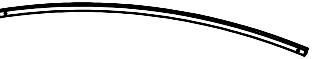



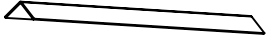
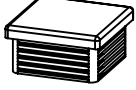







Spanner



Torx bit

PARTS LIST

ITEM NO.	PART NO.	DESCRIPTION	DIMENSION (MM)	DIMENSION (INCHES)	IMAGE	QTY.
1	S1C	Frame	2000x1035	78.74 x 40.55		6
2	P1	Post	1030x2000	40.55 x 78.74		1
3	ST1	Roof Tie	1025x40x40	40.35 x 1.75 x 1.75		1
4	CB1	Bracket	110x110x40	4.33 x 4.33		7
5	JF1	Bracket	220x40	8.66 x 1.58		6
6	FT1	Foot Bracket	109x100x40	4.29 x 3.93 x 1.57		3
7	FT3	Foot Bracket	109x100x80	4.29 x 3.93 x 3.27		5
8	RB1	Bracket	110x46	4.33 x 1.81		8
9	R2	Rafter	2220x40x40	87.40 x 1.57 x 1.57		3
10	SS	Sealing Strip	Trim to 2180	Trim to 2180		2 ROLLS
11	ACE2	Roof Panel	2210	87 x 41.34		2
12	RC2	Roof Strip	2220	87.40		3
13	A1	Roof Angle	2100 x 50 x 50	82.68 x 1.97 x 1.97		2
14	EC40	Plastic end Cap	40x40	1.57 x 1.57		18

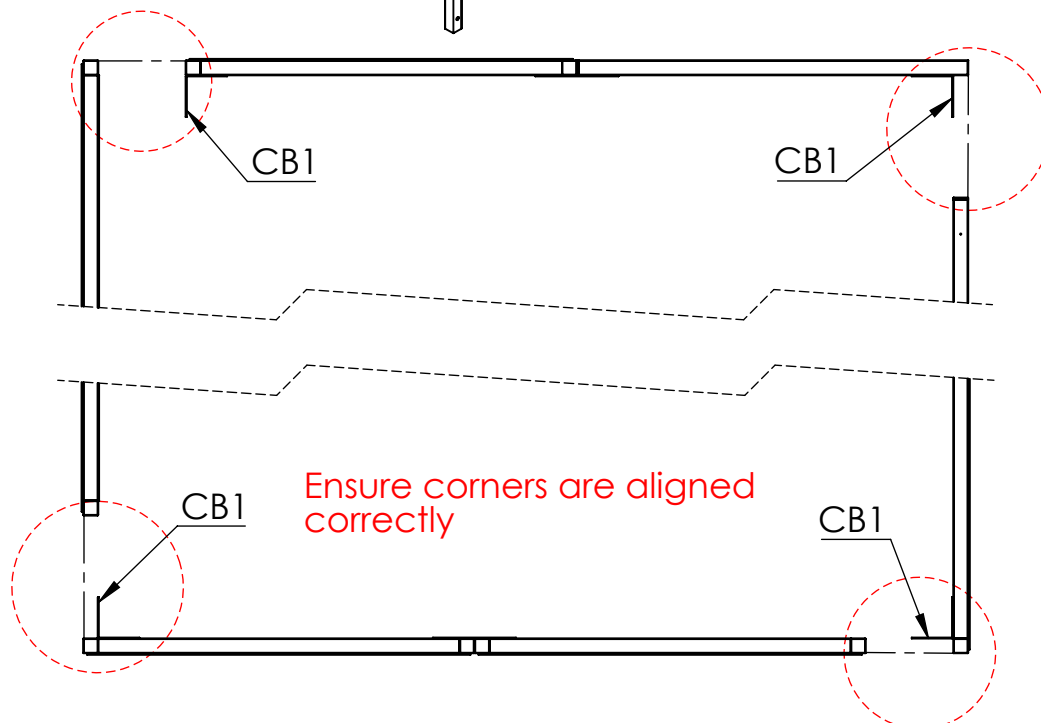
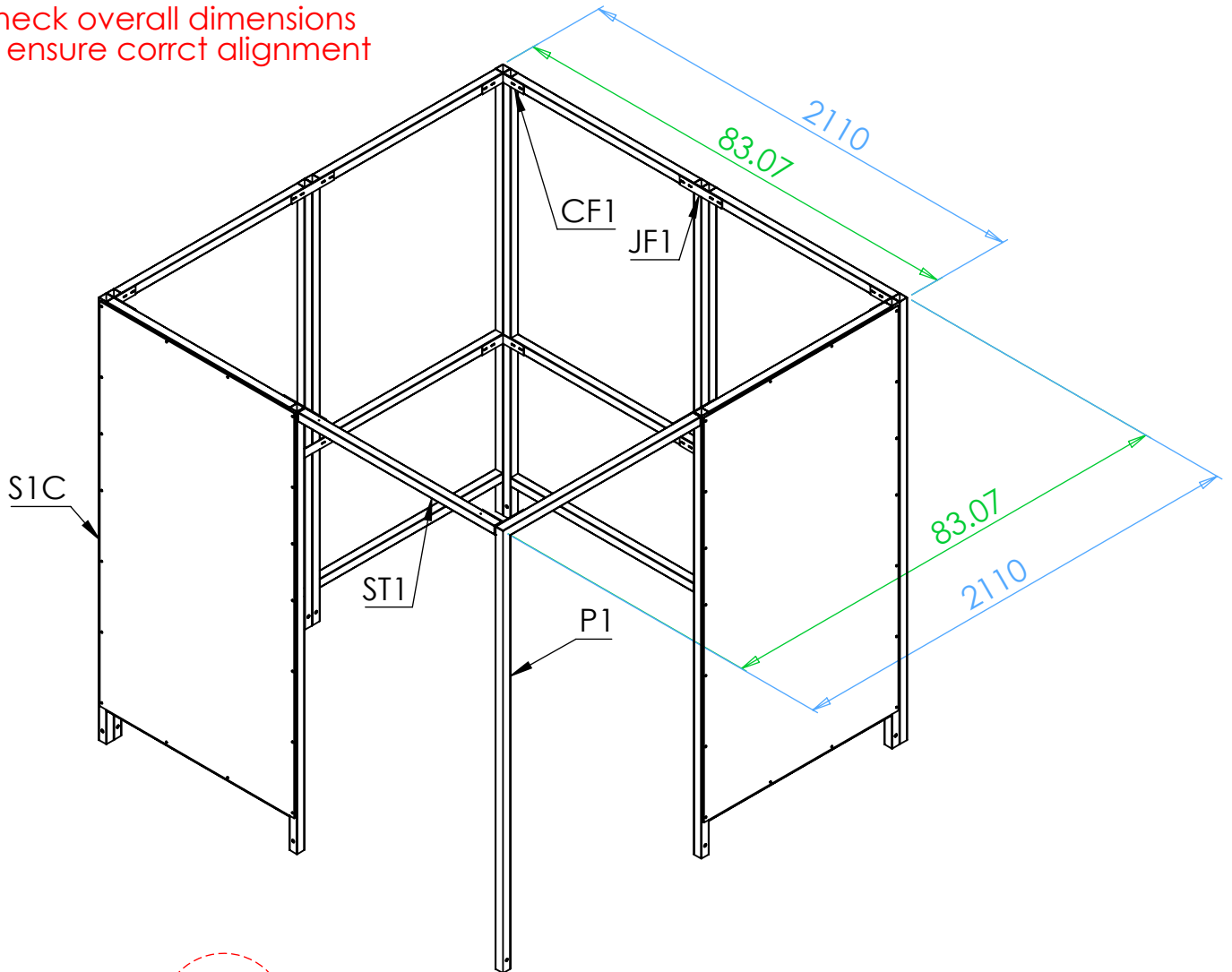
Fittings	Bolt set M10	Nut	Washer	Black Cap	T25	AB1210
	M10 x 60mm				25 mm Tech screw	M10/12 x 10mm Concrete Bolt
Pack C	30	30	60	60	102	8
Required	14	14	28	28	98	8
Image						

Step 1 Assemble **S1C** frames to make up the main structure using **CB1** brackets in the corners and **JF1** brackets on straight joints. Then attach **P1** Post using one **JF1** bracket.
Then attach **ST1** Tie bar using a **JF1** bracket and one **CB1** bracket.

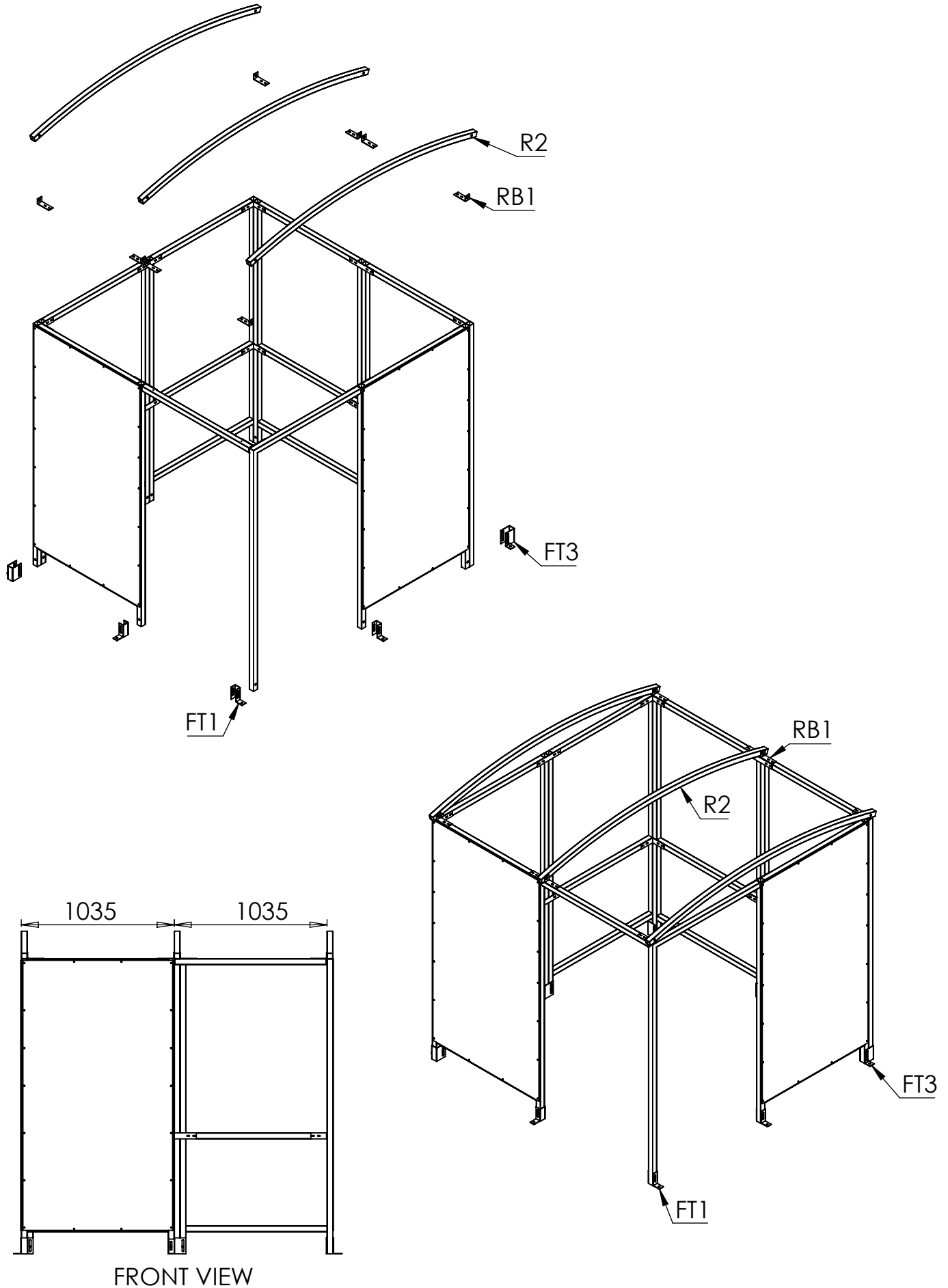
MEASUREMENTS IN BLUE - MM

MEASUREMENTS IN GREEN - INCHES

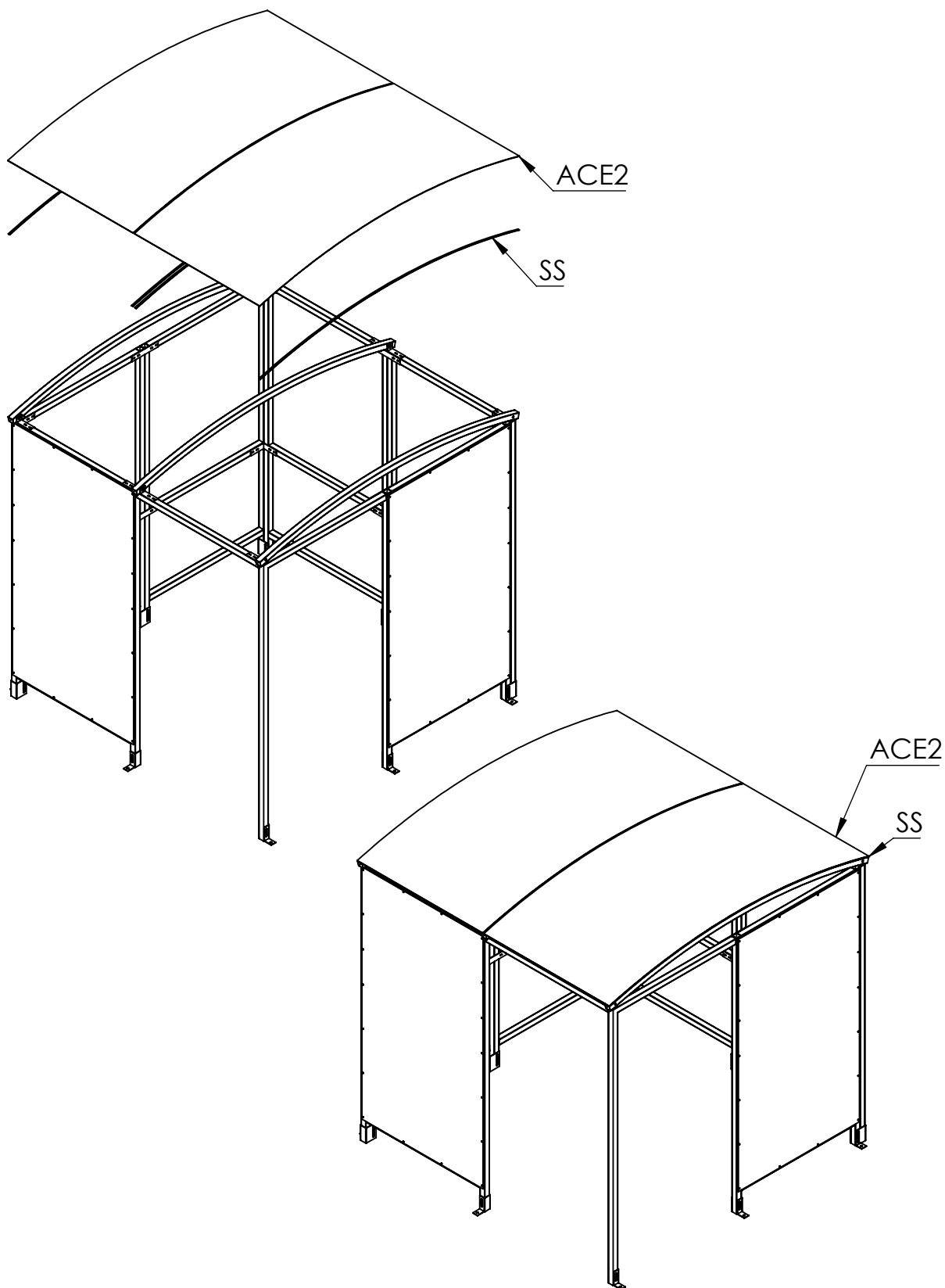
IMPORTANT:
Check overall dimensions
to ensure correct alignment



Step 2 Move shelter in to its final position, make sure everything is square, and secure to the floor using **FT1** and **FT3** foot brackets. Attach **R2** roof rafters using **RB1** brackets.

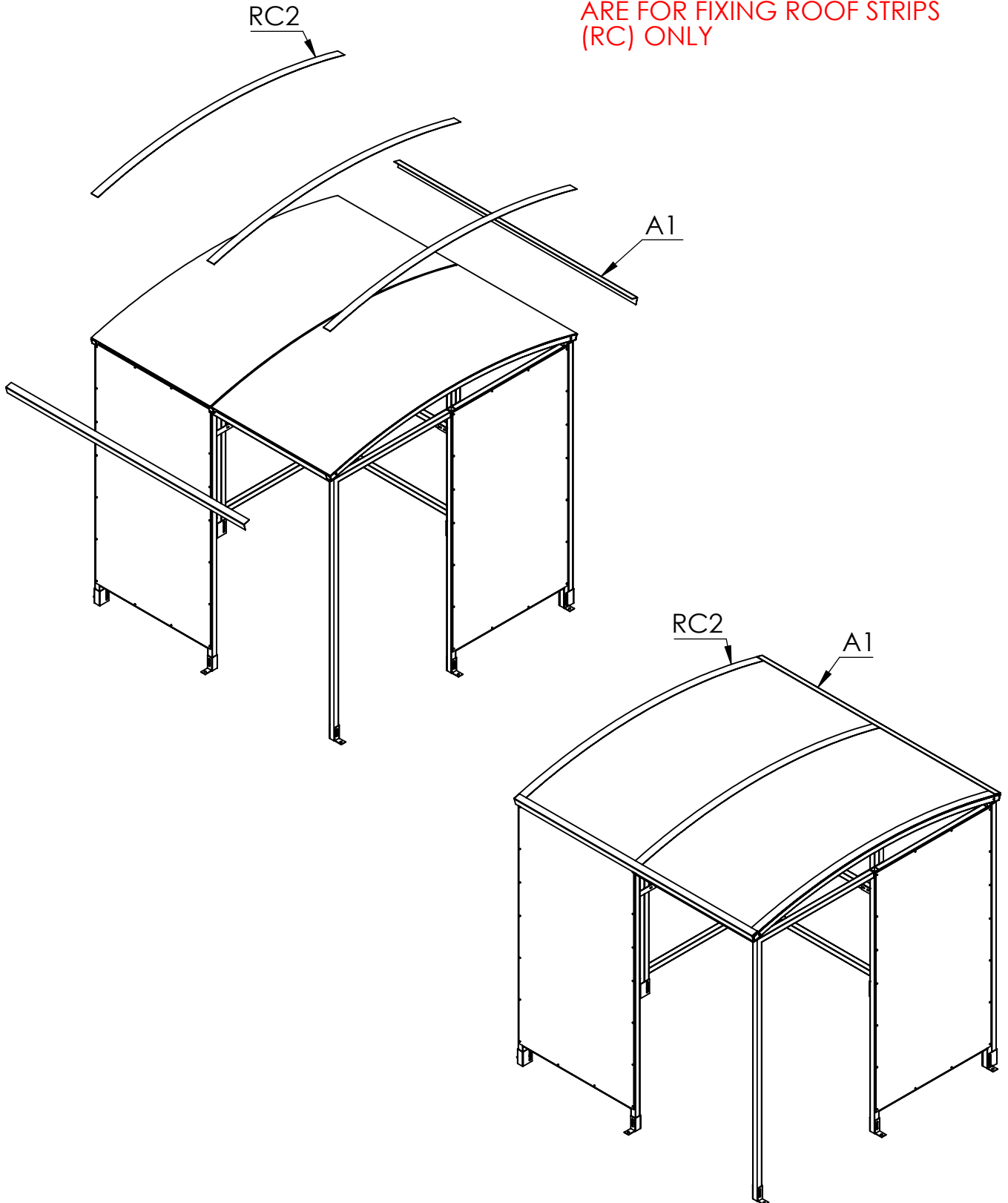


Step 3 Apply **SS** sealing strips to the rafters (two for central rafter) and line up the **ACE2** roof panels to the outside of the shelter, leaving a gap between them.



Step 4 Apply **RC2** strips on top of the panels and use **25mm Tech screws** to secure them in place. Fit the Black plastic caps on exposed nuts and bolts. Fit the square plastic end caps to any open ends of box sections. Screw the **A1** Angles in place along the edges of the shelter as shown below.

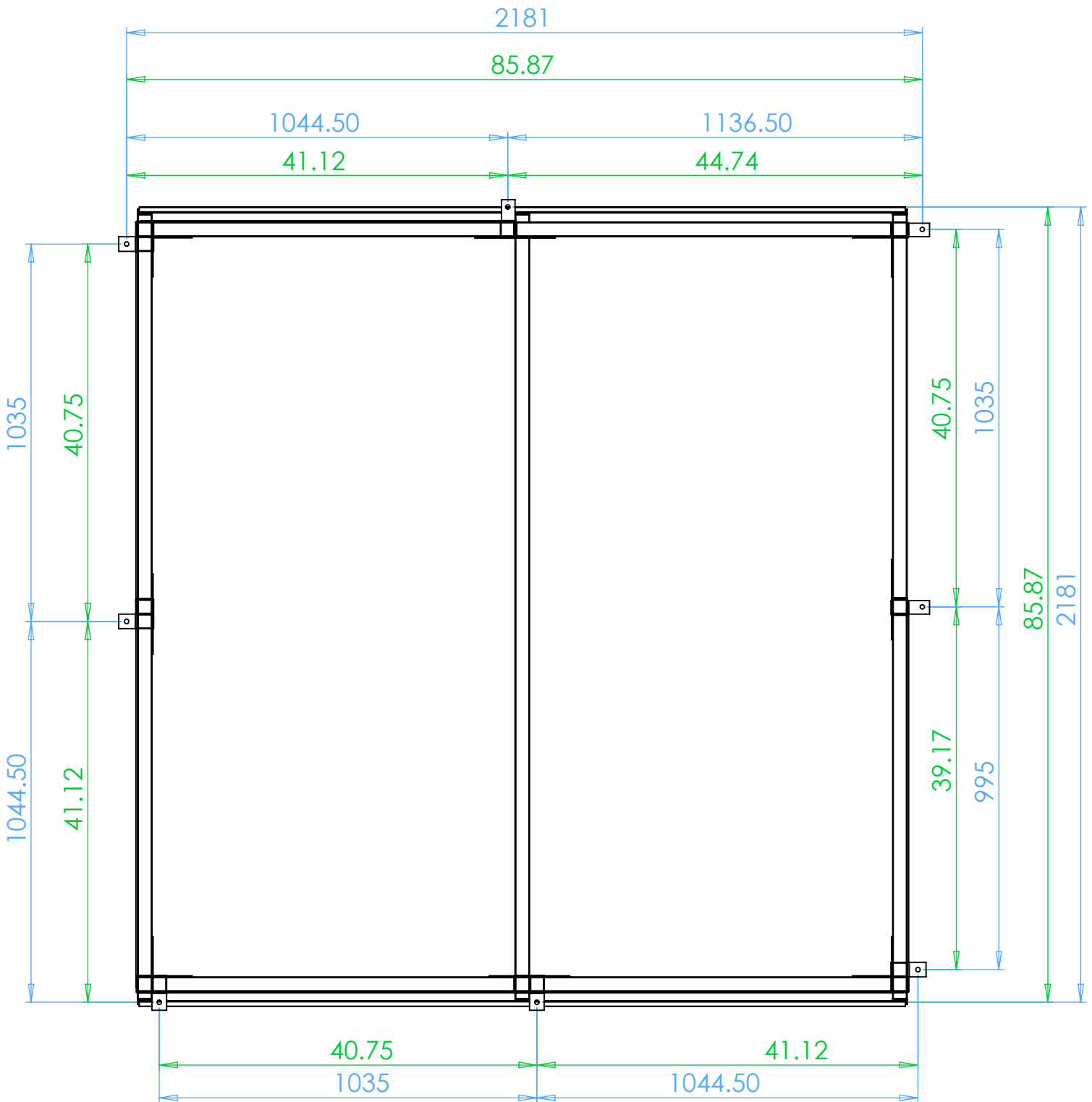
GENERAL NOTE:
THE 25mm TECH SCREWS
ARE FOR FIXING ROOF STRIPS
(RC) ONLY



Ground anchor positions and overall size

Suggested concrete base size: 200mm / 7.87in oversized on all four sides

Scale 1:15



NOTES:

NOTES:

NOTES:

THANK YOU FOR PURCHASING THIS PRODUCT

MAINTENANCE:

To ensure your products give you many years of use we recommend that you:

- Clean panels regularly with soapy water
- Ensure all fittings are tight (for example after a big storm)
- Touch up any exposed metal should it get scratched

CONTACT DETAILS:

Email : Sales@nobutts.com

Web : www.nobutts.com

Tel : 1-888-662-8887

No Butts Bin Company, Inc. 16 Birch Lane, Madison, CT 06443

All Parts and Fixings checked by:	
Print Name:	Signature: