

Assembly Instructions

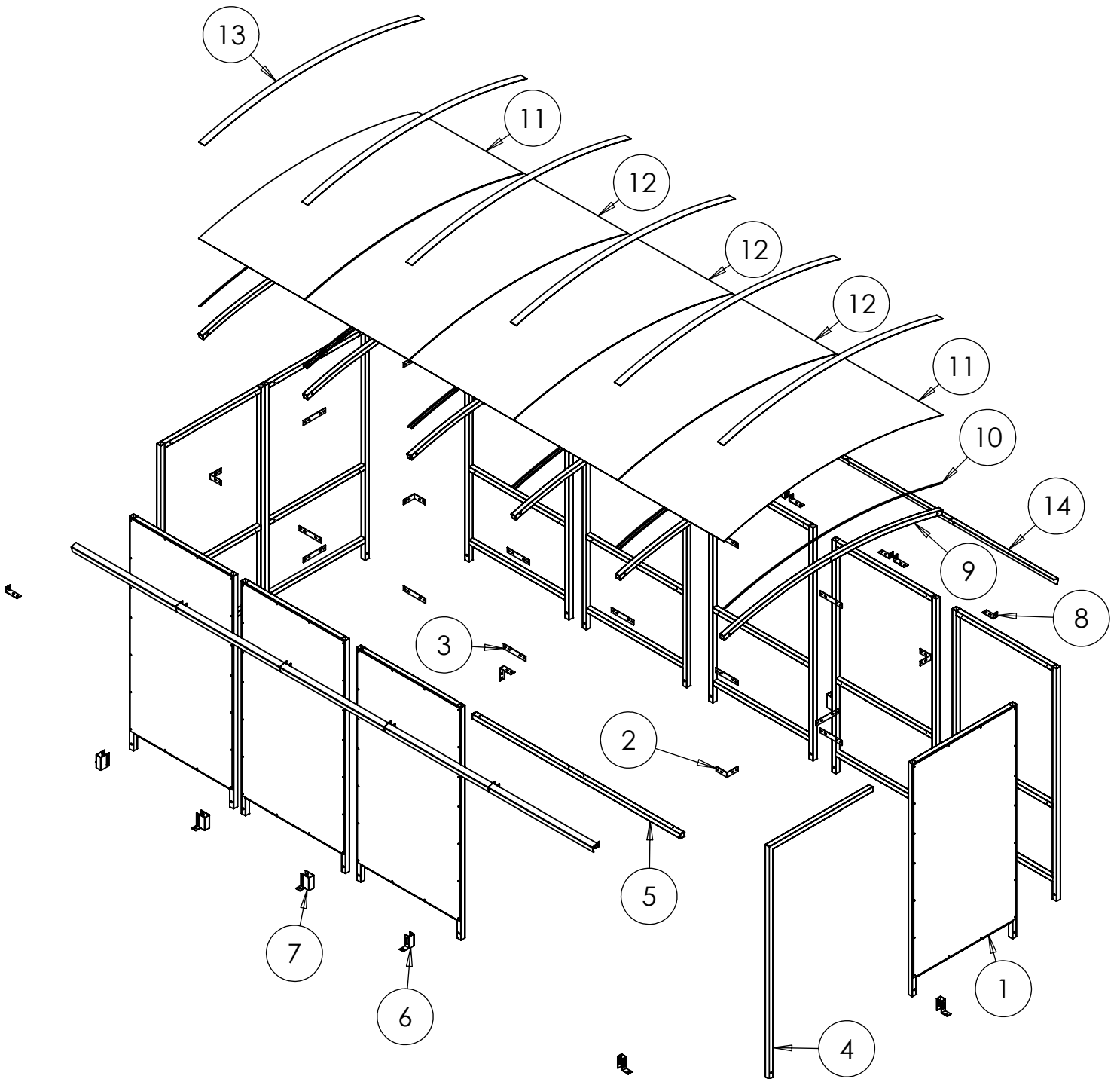


Email : Sales@nobutts.com
Web : www.nobutts.com
Tel : 1-888-662-8887

Shelter type: SR1564-F

SR1564-F-04-200219-USA

BALLOON VIEW



Tools required (Not included):



Drill/Screwdriver



Wrench



Mallet


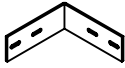
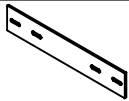
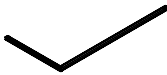






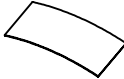

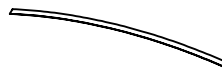







Torx bit



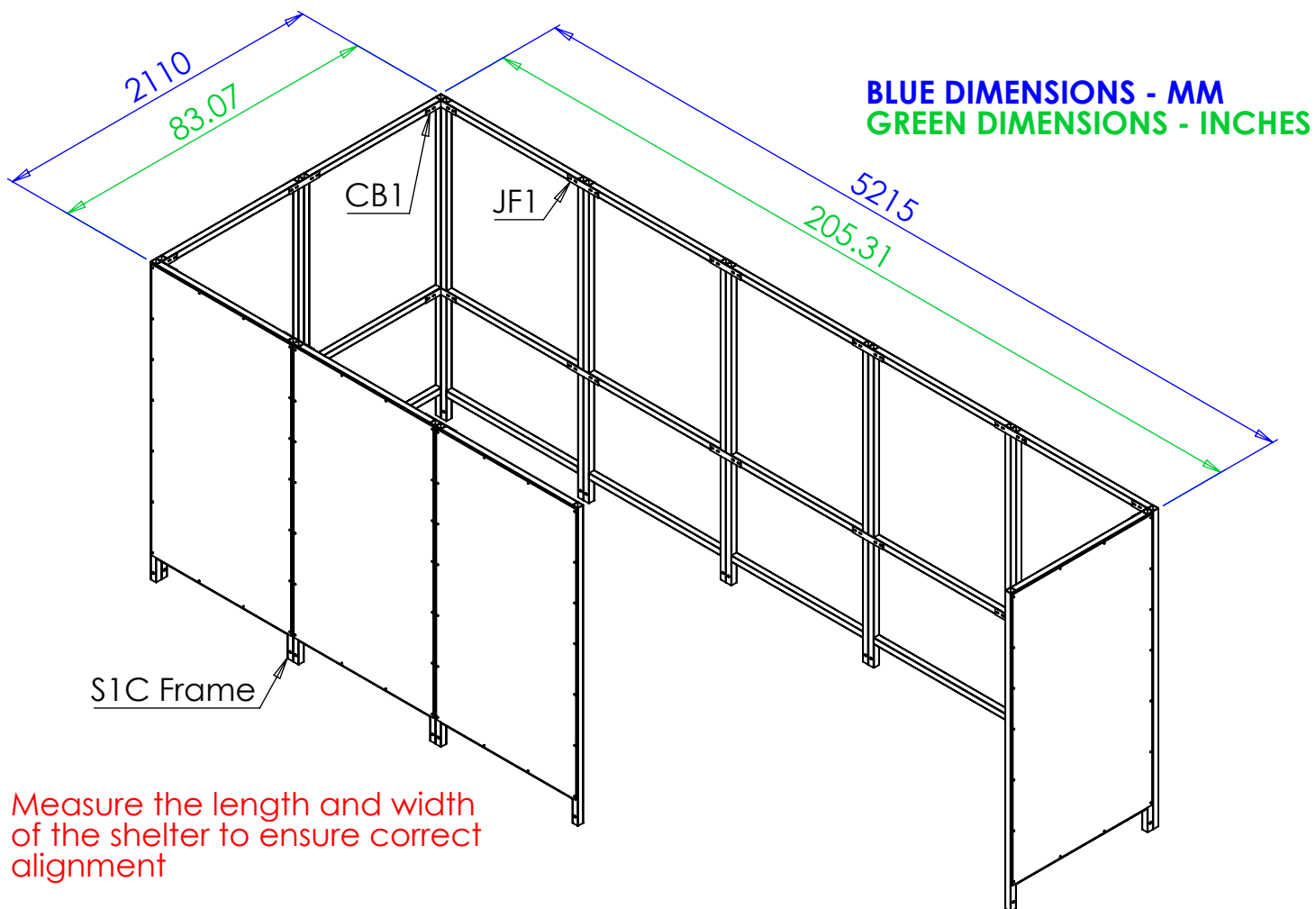
Hack saw

PARTS LIST

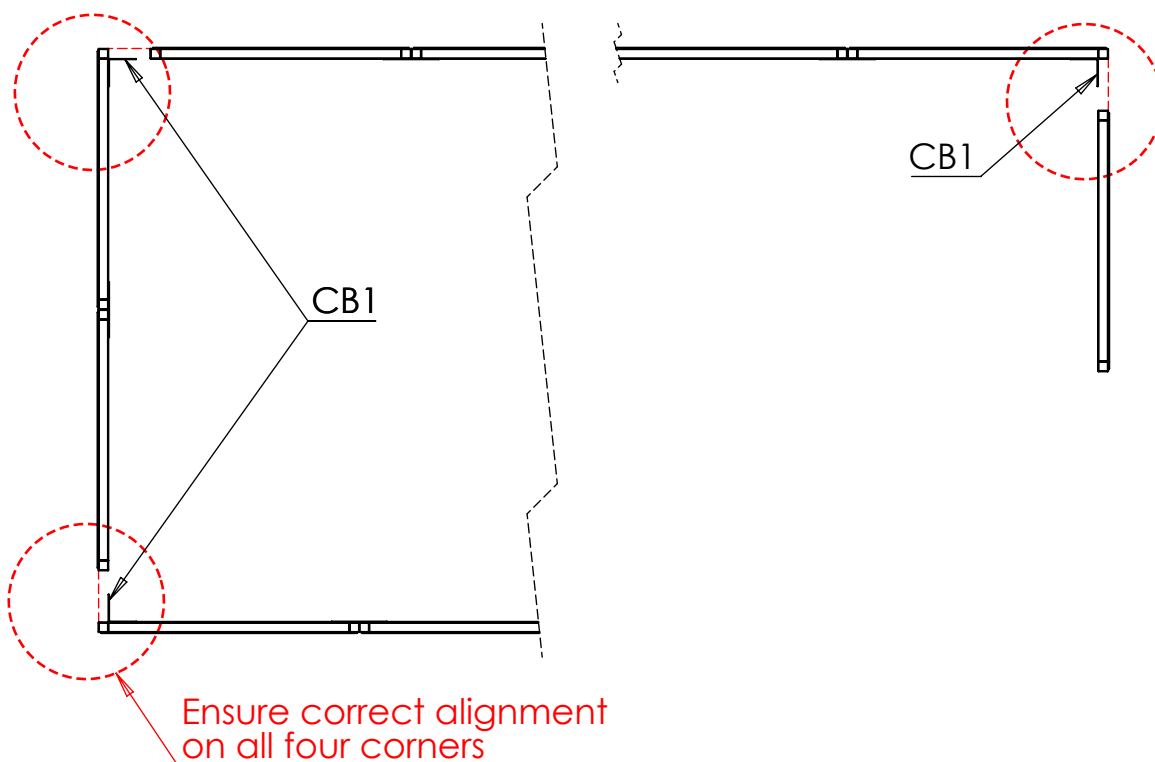
ITEM NO.	PART NO.	DESCRIPTION	DIMENSION (MM)	DIMENSION (INCHES)	IMAGE	QTY.
1	S1C	Frame	2000x1035	78.74x40.75		11
2	CB1	Bracket	110x110x40	4.33x4.33		8
3	JF1	Bracket	220x40	7.87x1.58		16
4	P1	Post	2000x1030	78.74x40.55		1
5	ST3	Roof Tie	2060x40x40	81.1x1.58x1.58		1
6	FT1	Foot Bracket	109x100x40	4.29x3.94x1.58		3
7	FT3	Foot Bracket	109x100x80	4.29x3.94x3.15		10
8	RB1	Bracket	110x42x40	4.33x1.81		20
9	R2	Rafter	2200x40x40	86.61x1.58x1.58		6
10	SS	Sealing Strip	Trim to 2200	Trin To 86.6		5 ROLLS
11	ACE2	Roof Panel	2220x1050	86.6x43.34		2
12	ACC2	Roof Panel	2220x1030	86.6x40.55		3
13	RC2	Roof Strip	2180	85.83		6
14	A2	Roof Edge Angle	1035 x 50 x 50	40.55 x 1.97 x 1.97		10
15	EC40	Plastic End Capping	40x40	1.58x1.58		28

Fittings	Bolt set M10	Nut	Washer	Black Cap	T25	AB1210
	M10 x 60				25mm Tech screw	M10 x 100 Concrete Bolt
Pack C+D	40	40	80	80	202	13
Required	39	39	78	78	104	13
Image						

Step 1 Assemble all **S1C** Frames to make up the main structure using **JF1** bracket for straight joints and **CB1** brackets for the corners.

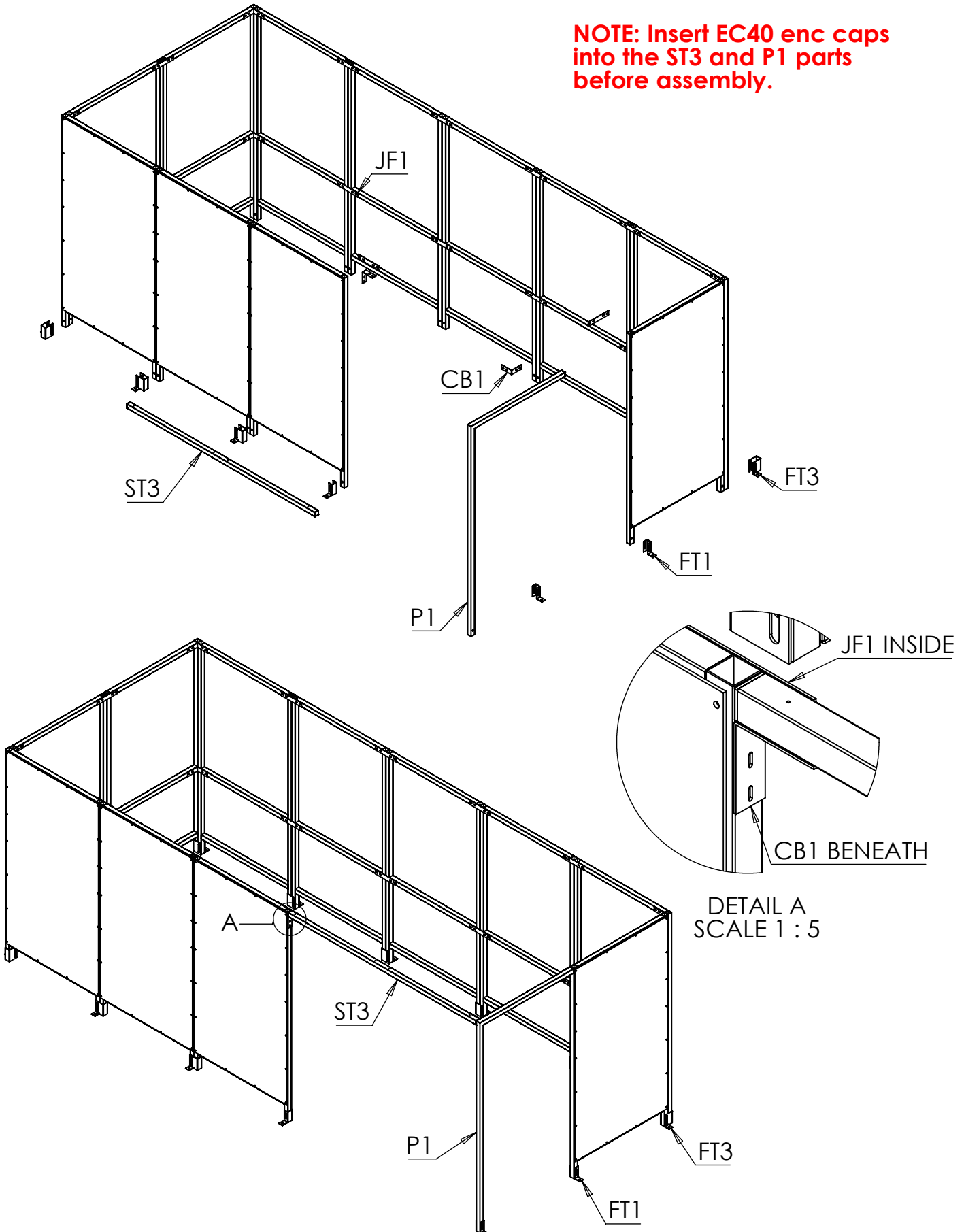


Measure the length and width of the shelter to ensure correct alignment

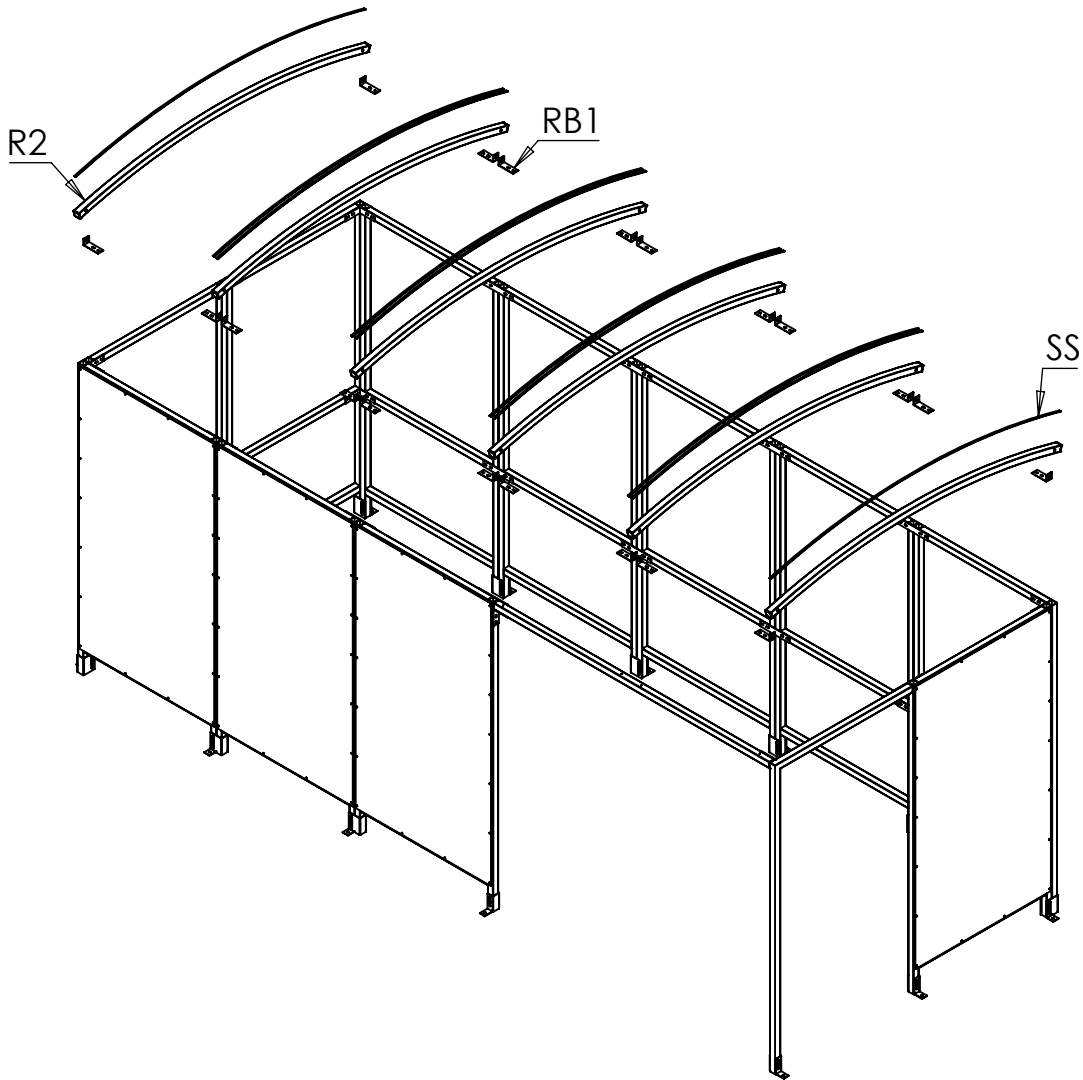


Step 2 Attach **P1** Post using one **JF1** bracket then attach **ST3** Tie bar using two **CB1** brackets and one **JF1** bracket. Move shelter in to its final position and ensure the structure is square. Then attach **FT1** and **FT3** brackets to secure the shelter to the ground.

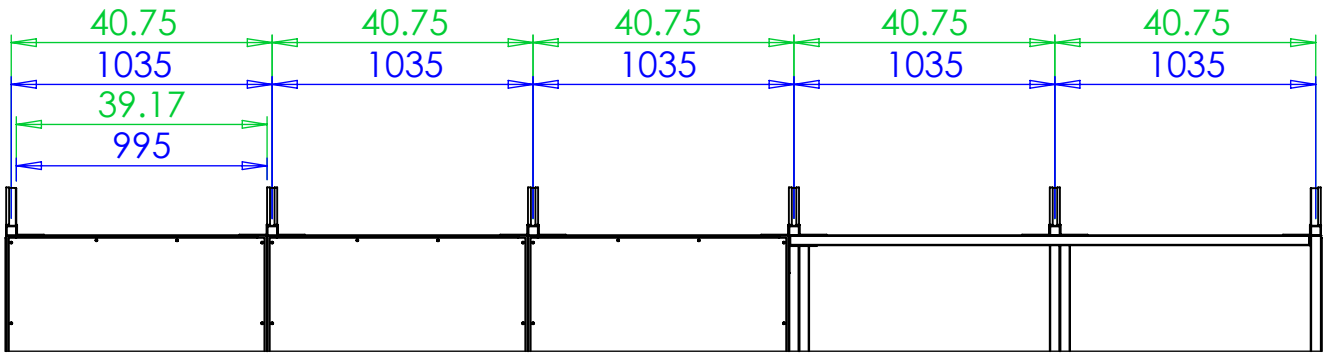
NOTE: Insert EC40 enc caps into the ST3 and P1 parts before assembly.



Step 3 Attach **R2** Rafters using **RB1** brackets. Use four **RB1** brackets to secure each Rafter and two for the end Rafters. Apply **SS** sealing strips along the length of the rafters.

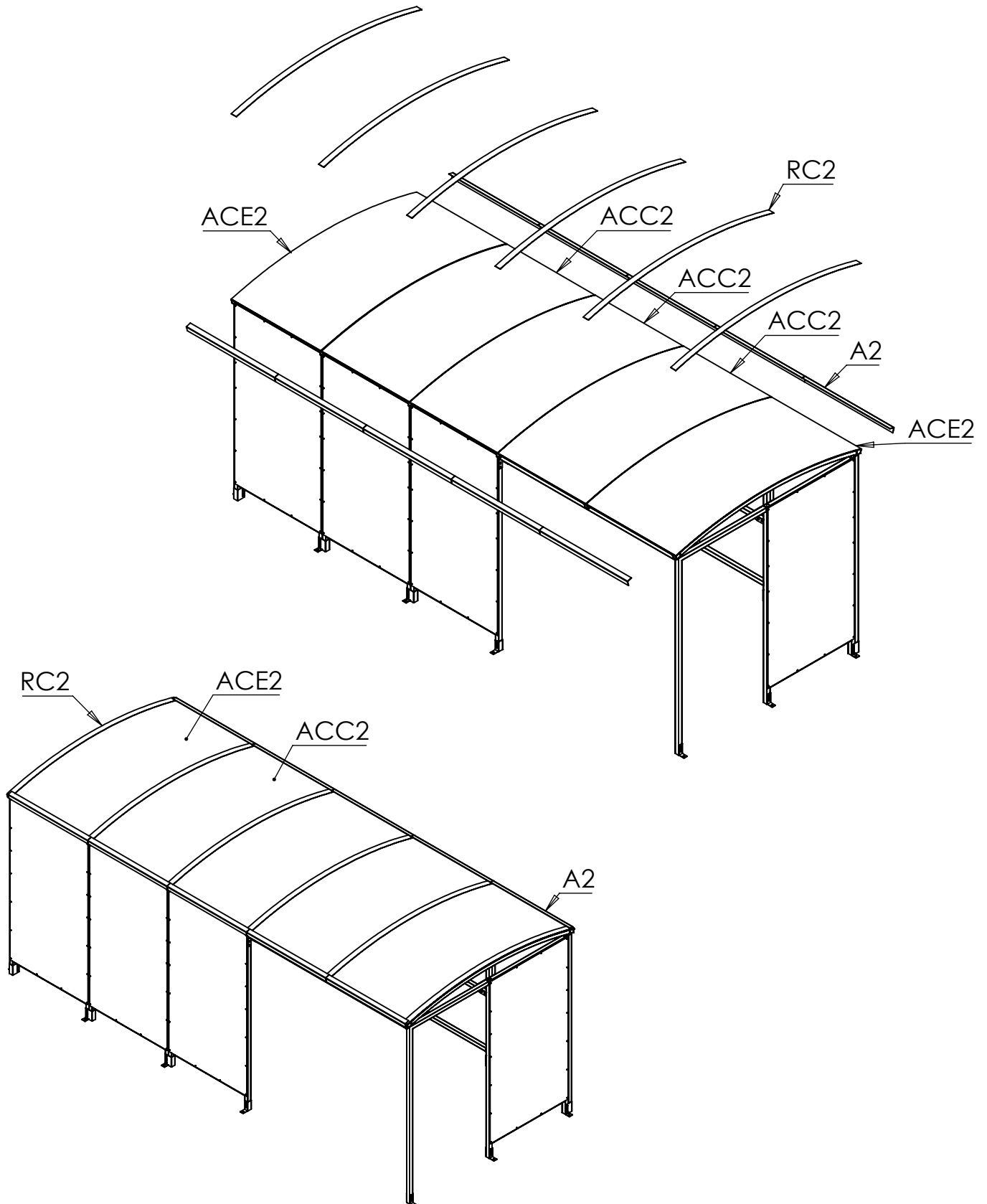


ROOF DETAIL



SCALE - 1:30

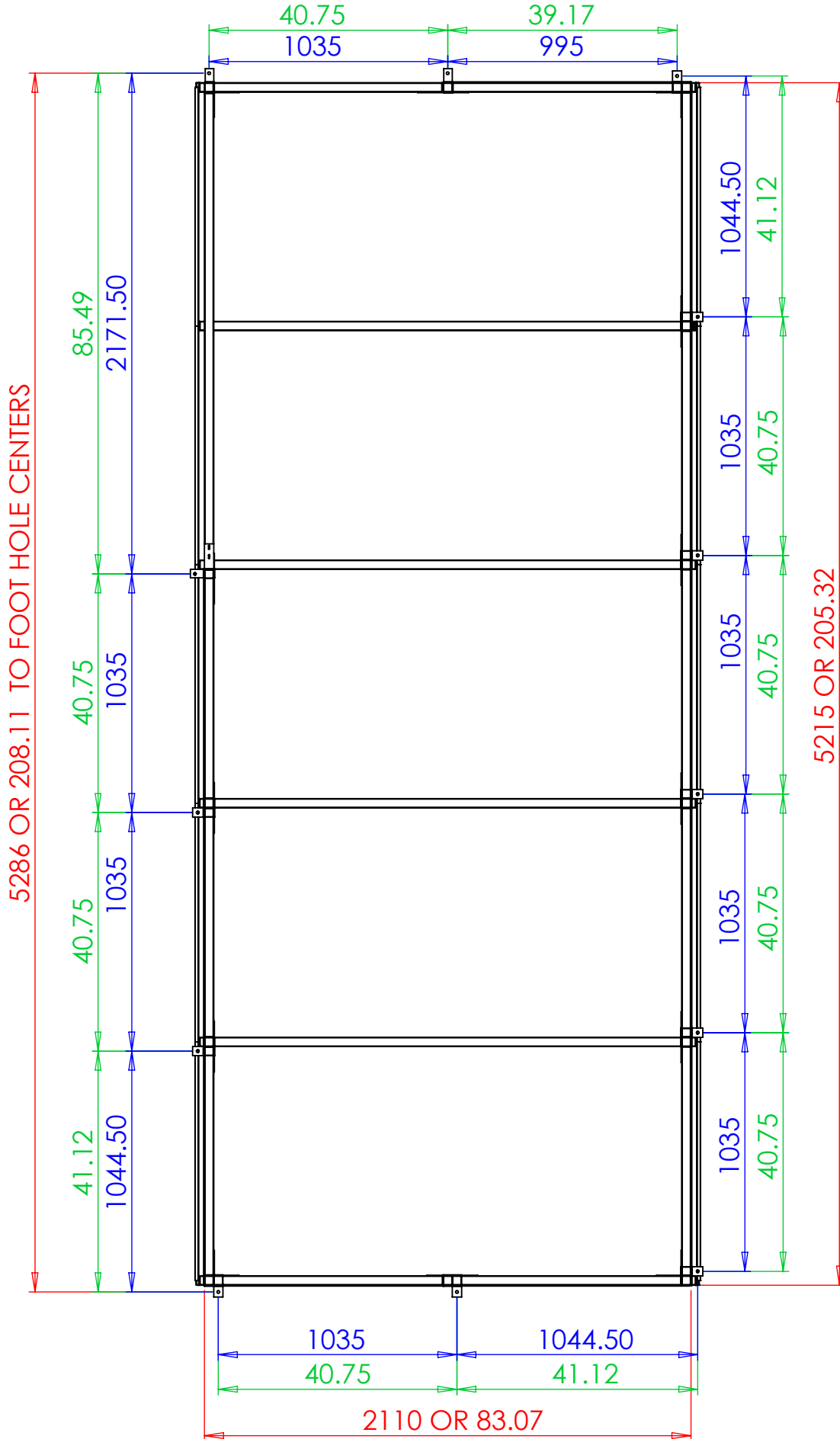
Step 4 Attach **ACC2** roof panels and **ACE2** roof panels on top of the sealing strips. Screw down the **RC2** strips, along the gaps in the panels. Screw down the **A2** end caps along the edges of the shelter. Then fit the Black plastic caps on exposed nuts and bolts. Fit the **EC40** square end caps to any open ends of box sections.



PLAN VIEW

OVERALL DIMENSIONS AND GROUND FIXING POSITIONS

Suggested size for concrete base: 200mm OR 7.87in oversized on all 4 sides.



NOTES:

NOTES:

NOTES:

THANK YOU FOR PURCHASING THIS PRODUCT

MAINTENANCE:

To ensure your products give you many years of use we recommend that you:

- Clean panels regularly with soapy water
- Ensure all fittings are tight (for example after a big storm)
- Touch up any exposed metal should it get scratched

CONTACT DETAILS:

Email : Sales@nobutts.com

Web : www.nobutts.com

Tel : 1-888-662-8887

No Butts Bin Company, Inc. 16 Birch Lane, Madison, CT 06443

All Parts and Fixings checked by:	
Print Name:	Signature: