

Assembly Instructions



No Butts Bin Co.

Better Ash & Trash Solutions

Est. 1991

Email : Sales@nobutts.com

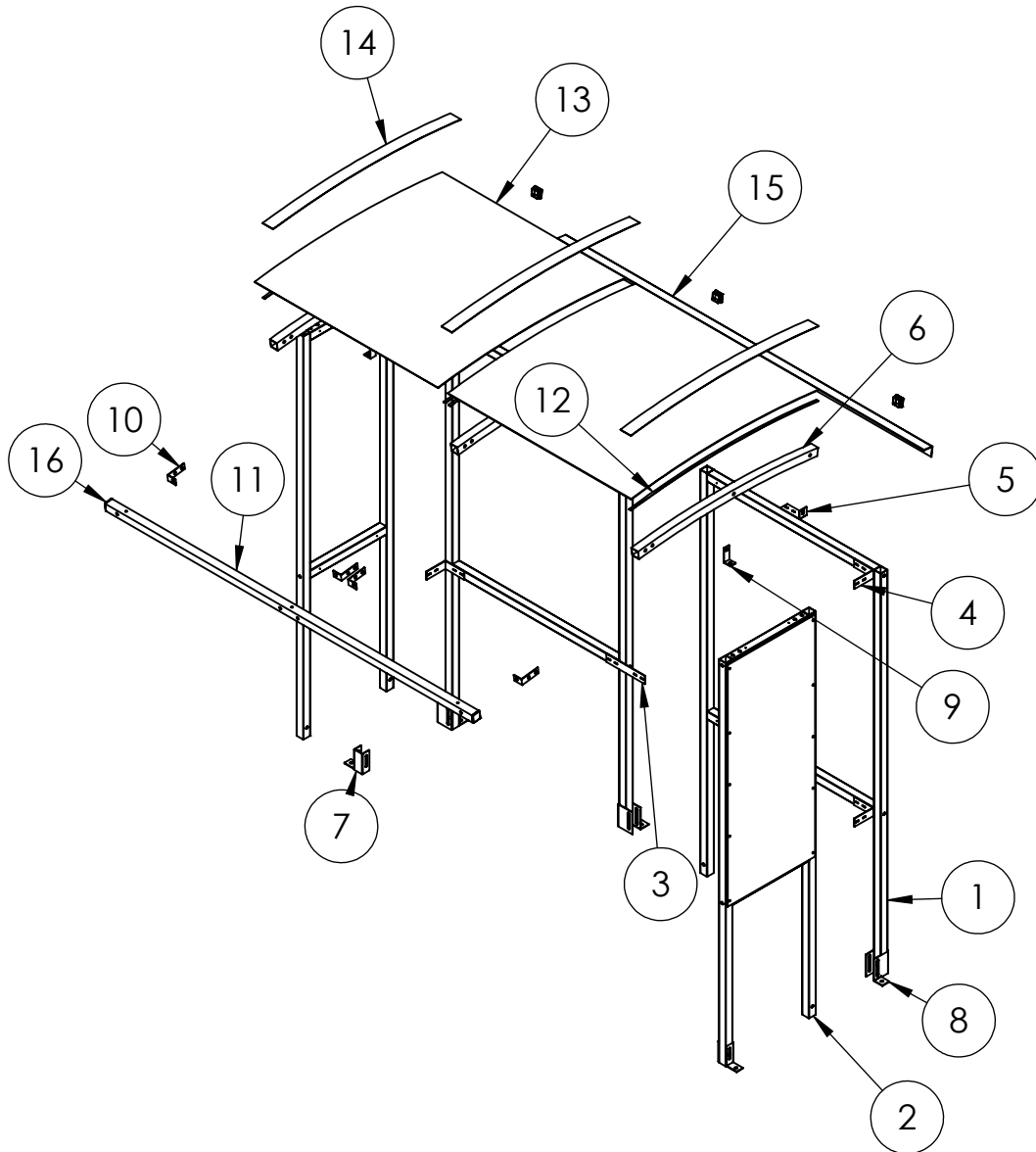
Web : www.nobutts.com

Tel : 1-888-662-8887

Shelter Type: SR1583

SR1583-01-14022019-USA

EXPLODED VIEW



Tools required:



Drill/Screwdriver



Spanner



Mallet



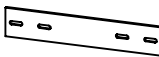

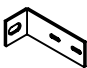

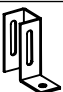

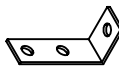
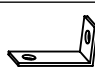


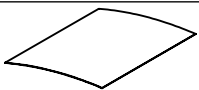
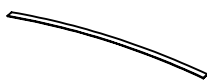





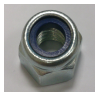



Torx bit



Hack saw

PARTS LIST

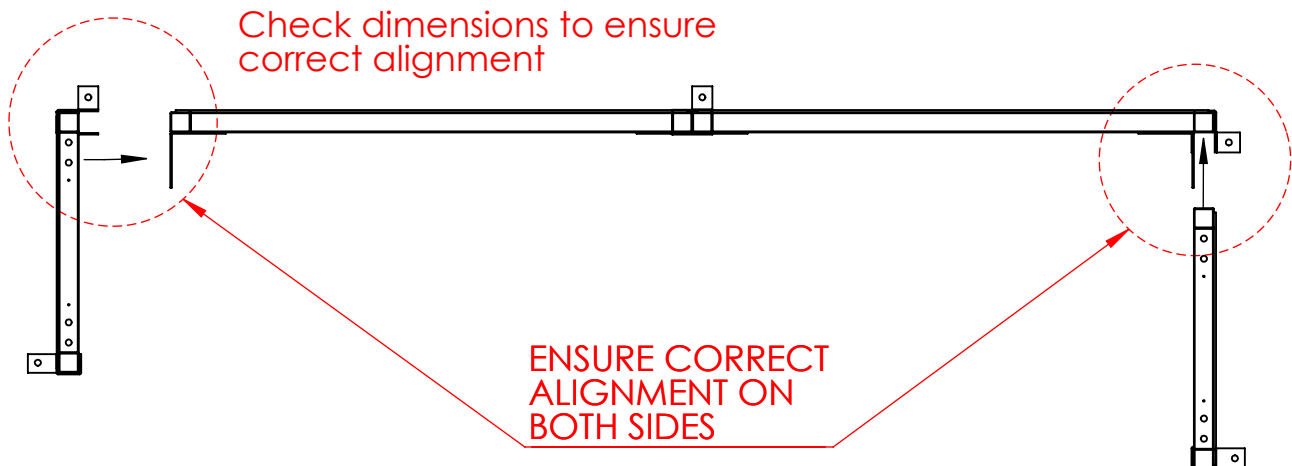
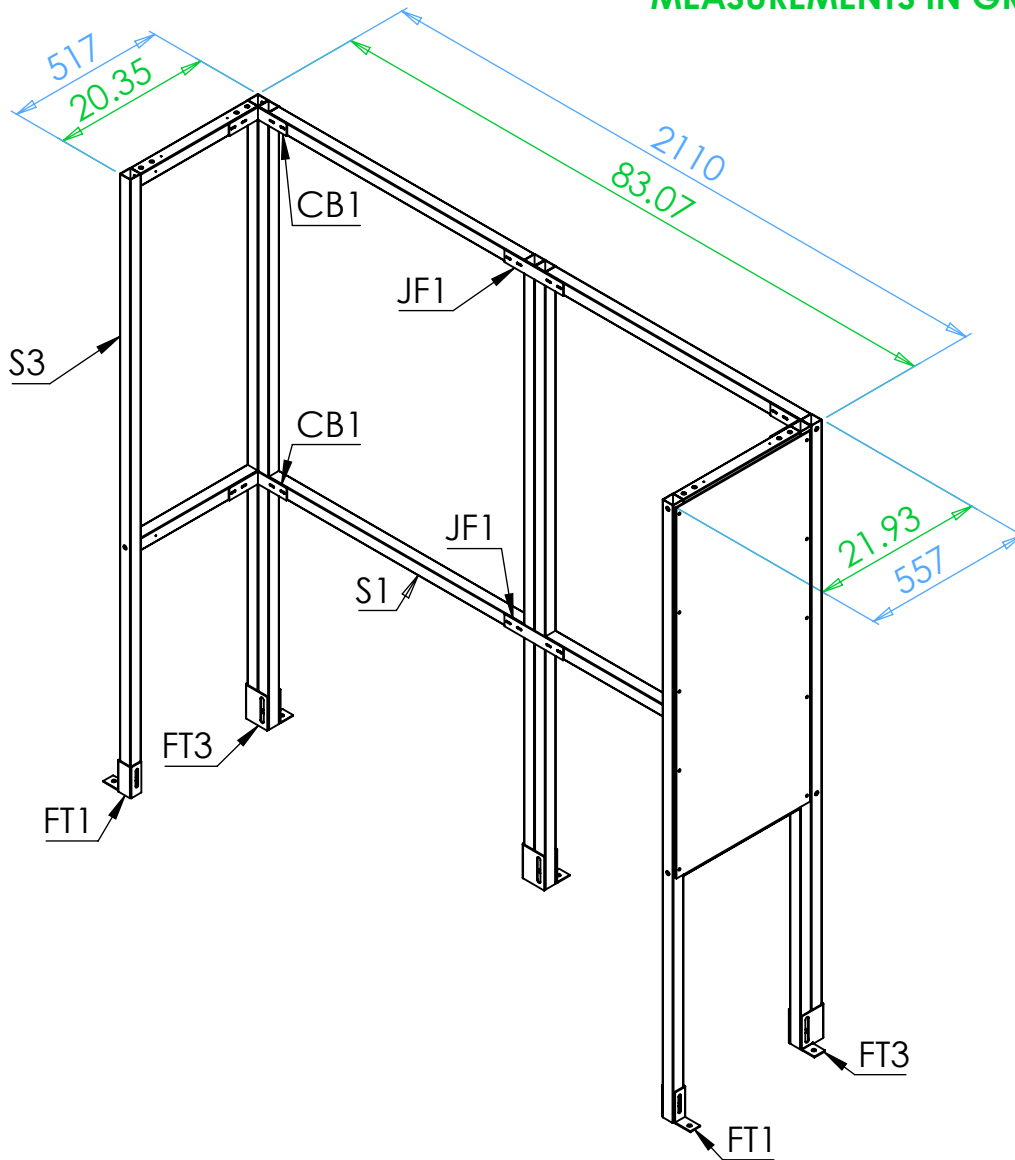
ITEM NO.	PART NO.	DESCRIPTION	DIMENSION (MM)	DIMENSION (INCH)	IMAGE	QTY.
1	S1	S1 Frame	2000x1035	78.74x40.55		2
2	S3	S3 Frame	2000x517	78.74x20.35		2
3	JF1	Bracket	220x40	8.66x1.58		2
4	CB1	Bracket	110x110	4.33x4.33		4
5	RB1	Bracket	110x42x40	4.33x1.81x1.58		4
6	R3	Rafter	1035x40x40	40.75x1.58x1.58		3
7	FT1	Bracket	109x100x40	4.29x3.93x1.58		2
8	FT3	Bracket	109x100x80	4.29x3.93x3.15		3
9	L3	Bracket	73x38	2.87x1.5		2
10	L1	Bracket	95x45	3.74x1.77		4
11	B1	Beam	2100x40x40	82.68x1.58x1.58		1
12	SS	Sealing Strip	TRIM TO 1035	TRIM TO 40.75		4
13	ACE3	Roof Panel	1070x1050	42.13x41.34		2
14	RC3	Roof Strip	1070	42.13		3
15	A1	Angle	2100x50x50	82.68x1.97x1.97		1
16	EC40	End cap	40x40	1.58x1.58		10

Fittings	Bolt set M10	Nut	Washer	Black Cap	T25	AB1210
	M10 x 60				25mm Tech screw	M10 x 100 Concrete Bolt
Pack C	30	30	60	60	102	8
Required	22	22	49	49	50	5
Image						

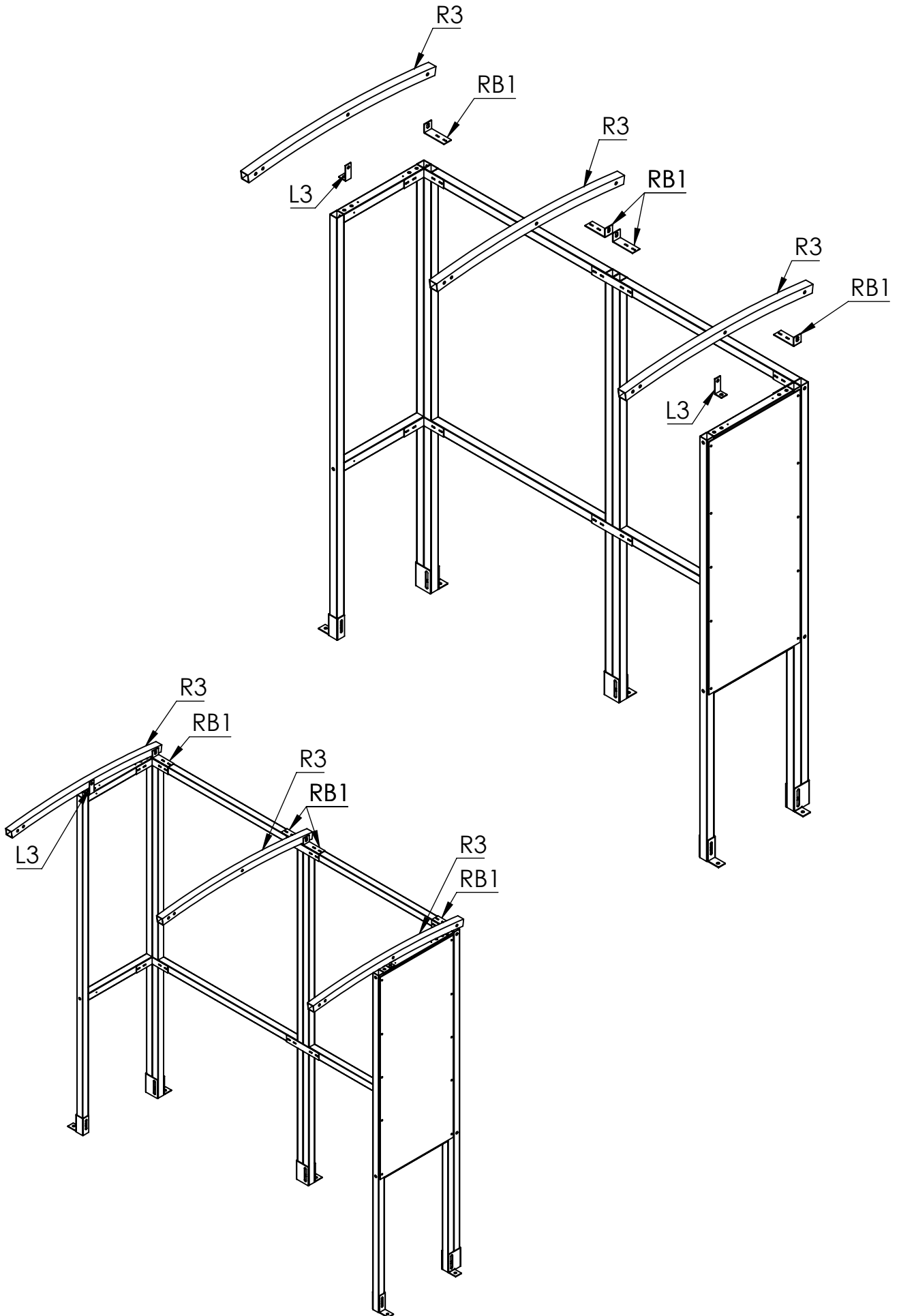
Step 1 Assemble main frame using **S1** and **S3** welded Frames. Join the frames using **CB1** brackets in the corners and **JF1** brackets for the flat joints. Then move the shelter to its final position, attach **FT1** and **FT3** foot brackets and use the concrete bolts to secure it to the ground.

MEASUREMENTS IN BLUE - MM

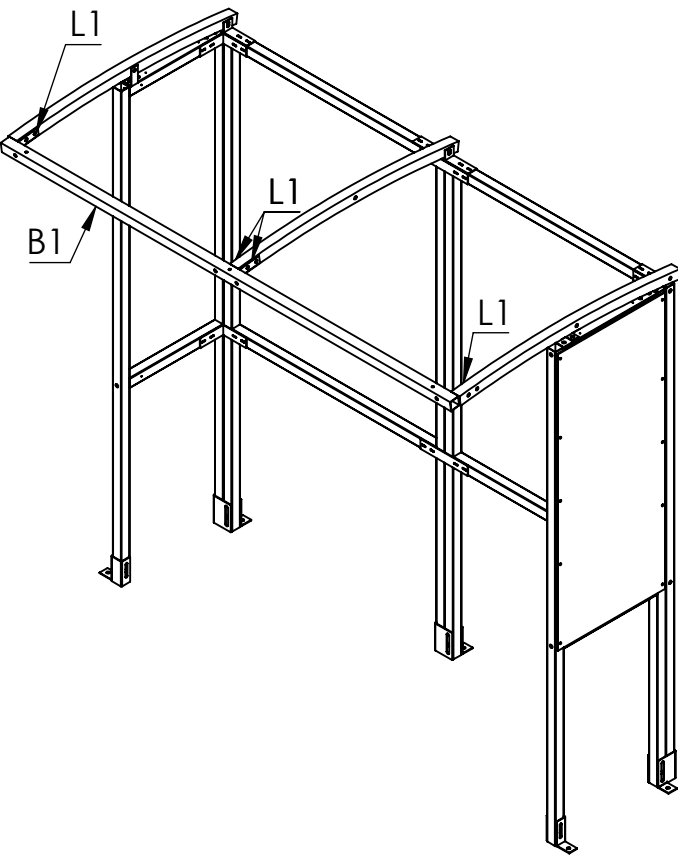
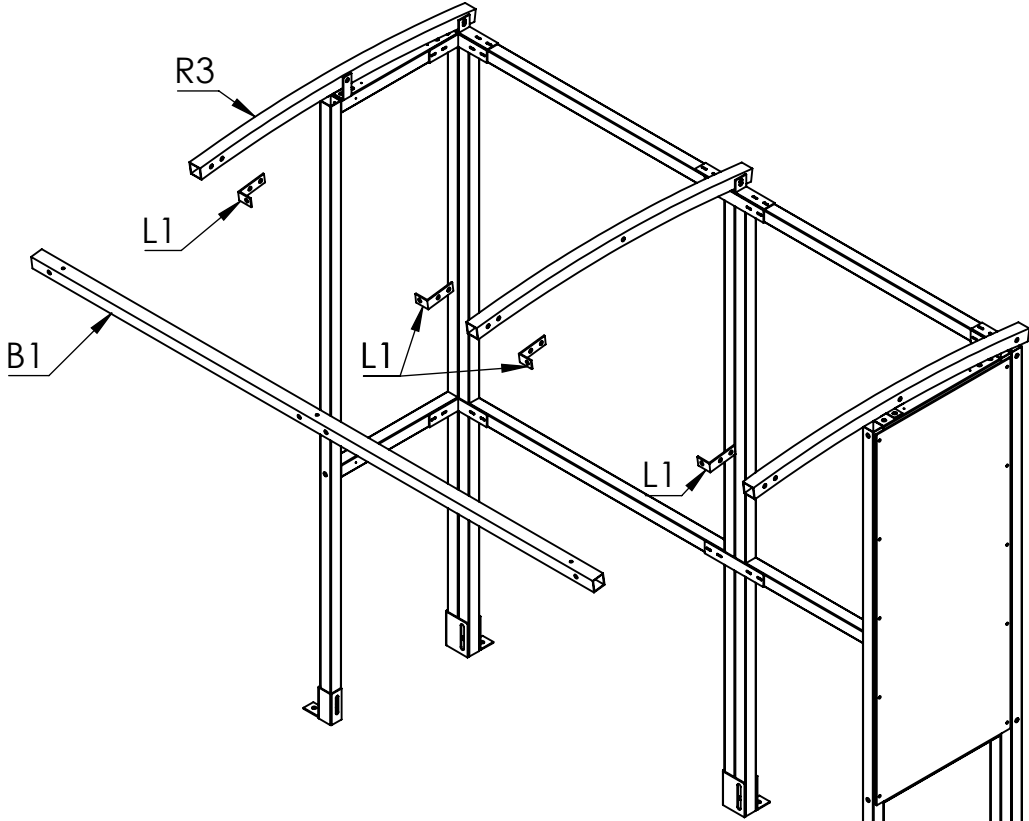
MEASUREMENTS IN GREEN - INCHES



Step 2 Attach **R3** rafters using **RB1** brackets at rear and **L3** brackets in the centre.

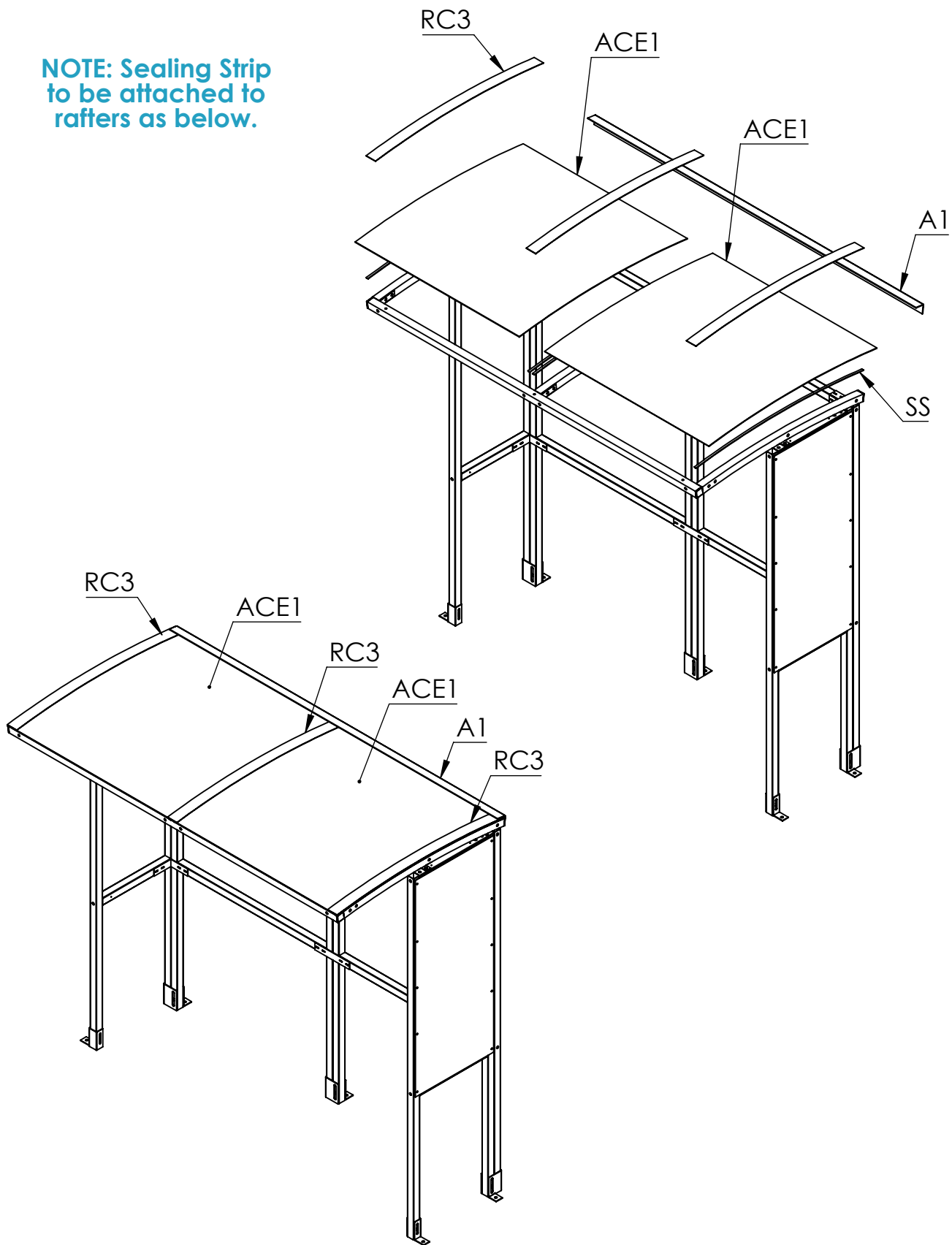


Step 3 Attach **L1** brackets to **R3** rafters. Then attach **B1** tie bar.



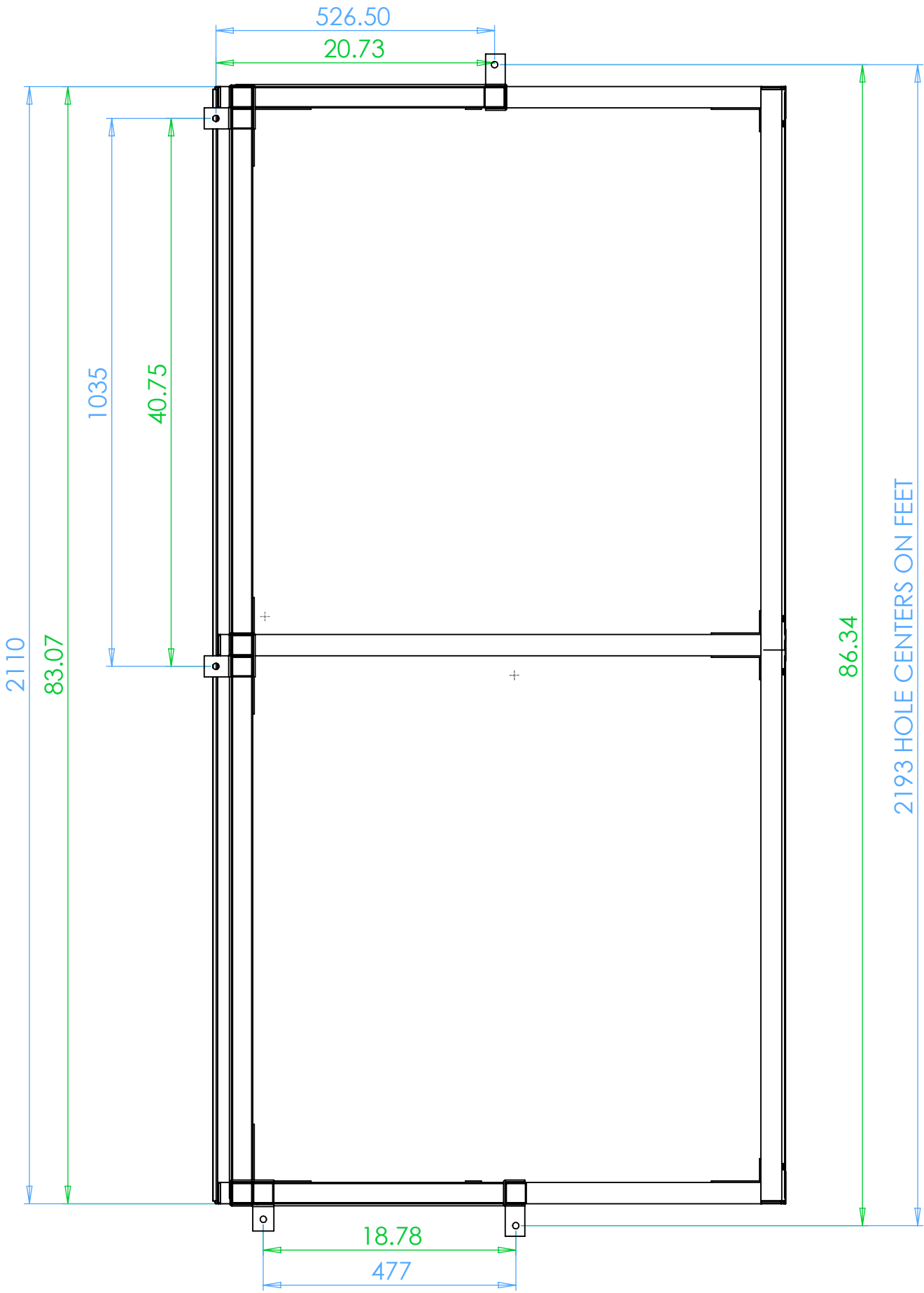
Step 4 Apply sealing strips to **R3** rafters then put the **ACE1** Panels on top, and secure down with **RC3** strips, screwed into the rafters with **25mm Tech screws**. Then attach the **A1** angle.

NOTE: Sealing Strip to be attached to rafters as below.



PLAN VIEW

Suggested size for concrete base: 200mm / 7.87in oversized on all four sides



Notes:

Notes:

Notes:

THANK YOU FOR PURCHASING THIS PRODUCT

MAINTENANCE:

To ensure your product gives you many years of use we recommend that you:

- Clean panels regularly with soapy water
- Ensure all fittings are tight (for example after a big storm)
- Touch up any exposed metal should it get scratched

CONTACT DETAILS:

Email : Sales@nobutts.com

Web : www.nobutts.com

Tel : 1-888-662-8887

No Butts Bin Company, Inc. 16 Birch Lane, Madison, CT 06443

All Parts and Fixings checked by:	
Print Name:	Signature: